

ORIGINAL  
MANUAL



# OWNER'S AND INSTALLATION MANUAL

Prodigy Multifunction Board

FRIMB-AEPRO



Thank you very much for purchasing our air conditioner. Please read this owner's manual carefully before using your air conditioner. Make sure to save this manual for future reference.



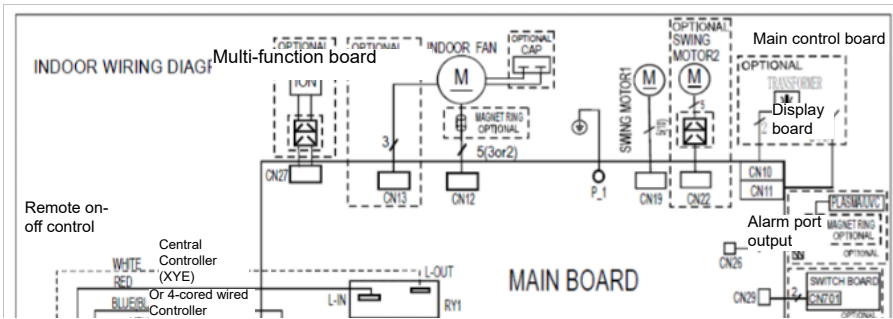
# Contents

---

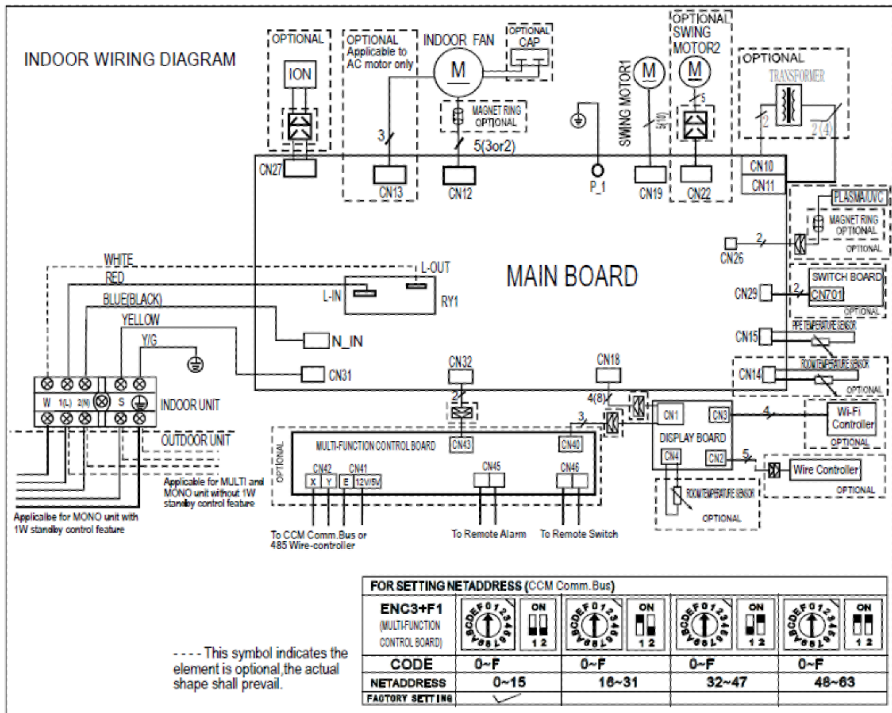
- 1. Diagrams and available ports of the multifunction board..... 2
- 2. Installation ..... 5
- 3. Additional notes ..... 12

# 1. The explanation of ports on multifunction board

## A) Multi-function board scheme

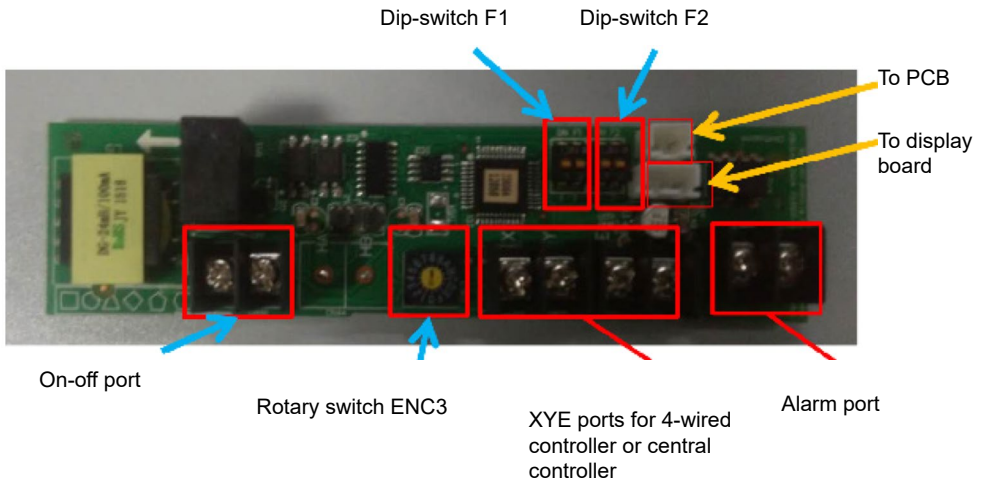


## B) Connection between indoor unit and Multi-function board scheme







---

### C) Available ports and switches



1. Rotary switch ENC3 and Dip-switch F1 is for Net address setting;
2. Dip switch F2 is for On-off setting

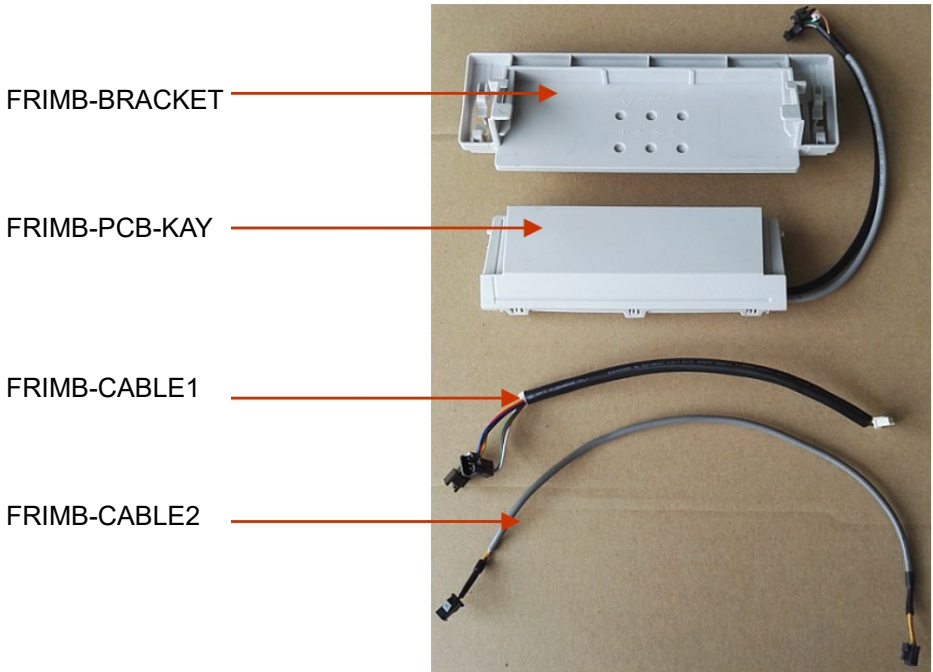
## D) F2 port on multi function board

Picture	Dip-switch 1	Dip-switch 2	ON-OFF port	Unit's Operation
	ON	ON	<ul style="list-style-type: none"> <li>ON-OFF port works as an ON/OFF button.</li> <li>By connecting the port, 'OFF' signal is sent to switch off the unit. You can switch on the unit with remote controller.</li> <li>By disconnecting the port, 'ON' signal is sent to switch on the unit. You can switch off the unit with remote controller.</li> </ul>	Restart with auto mode, 24°C
	ON	OFF	<ul style="list-style-type: none"> <li>ON-OFF port works as an ON/OFF button.</li> <li>By disconnecting the port, 'OFF' signal is sent to switch off the unit. You can switch on the unit with remote controller.</li> <li>By connecting the port, 'ON' signal is sent to switch on the unit. You can switch off the unit with remote controller.</li> </ul>	Restart with auto mode, 24°C
	OFF	OFF	<ul style="list-style-type: none"> <li>When ON-OFF port is connected, unit shows CP and can't work. And you can not control the unit with remote controller.</li> <li>When ON-OFF port is disconnected, unit works normally. And you can control the unit with remote controller.</li> </ul>	Restart with previous setting
	OFF	ON	<ul style="list-style-type: none"> <li>When ON-OFF port is connected, unit works normally. And you can control the unit with remote controller.</li> <li>When ON-OFF port is disconnected, unit shows CP and can't work. And you can not control the unit with remote controller.</li> </ul>	Restart with previous setting

## 2. Installation

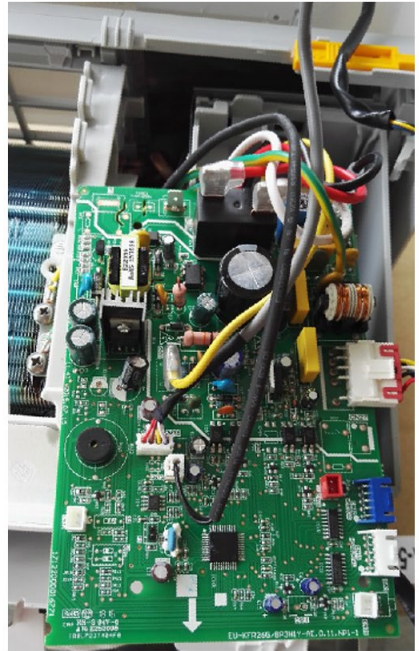
---

### A) Necessary parts



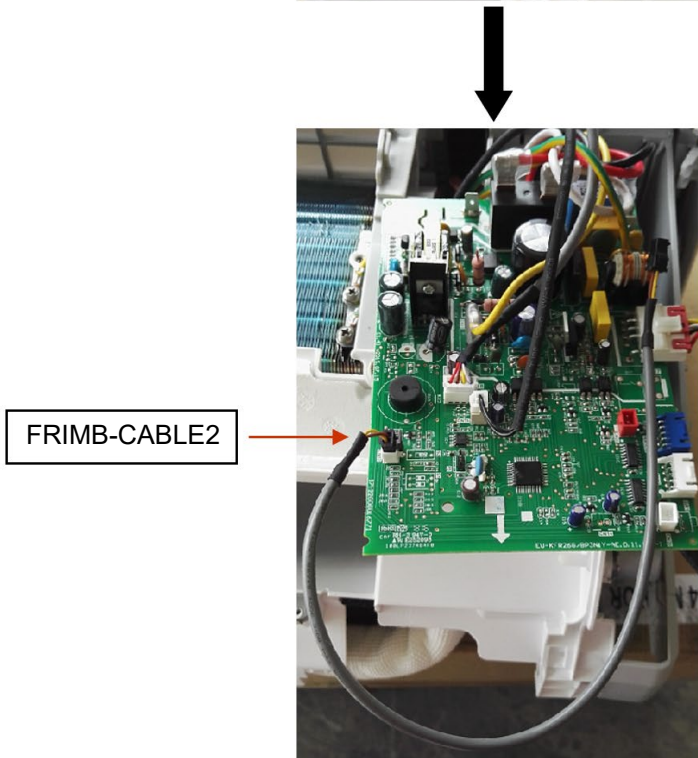
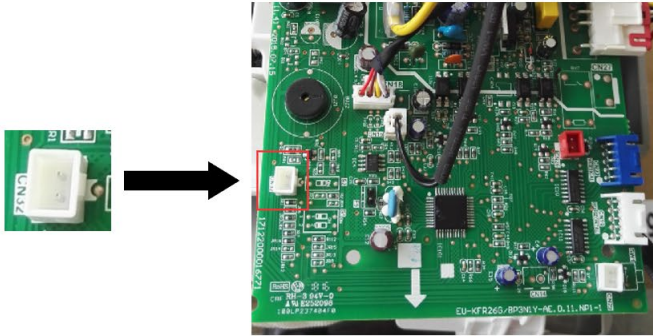
---

Step1: Open the Electrical box and take out the PCB



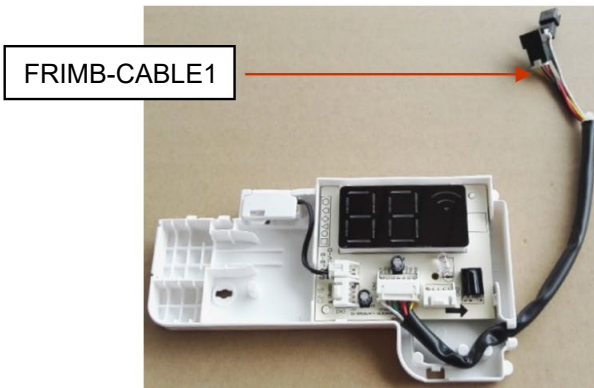
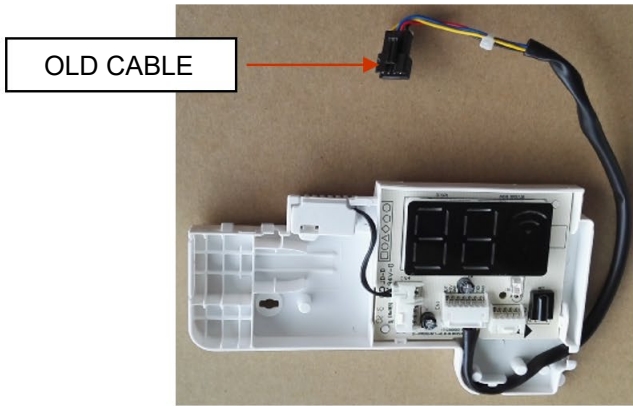
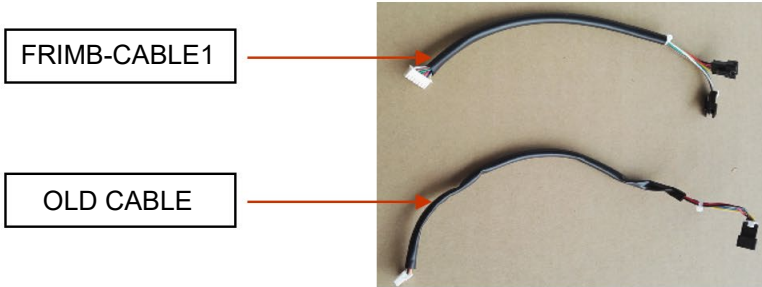
---

Step 2: Insert FRIMB-CABLE 2terminal into CN32 on the PCB



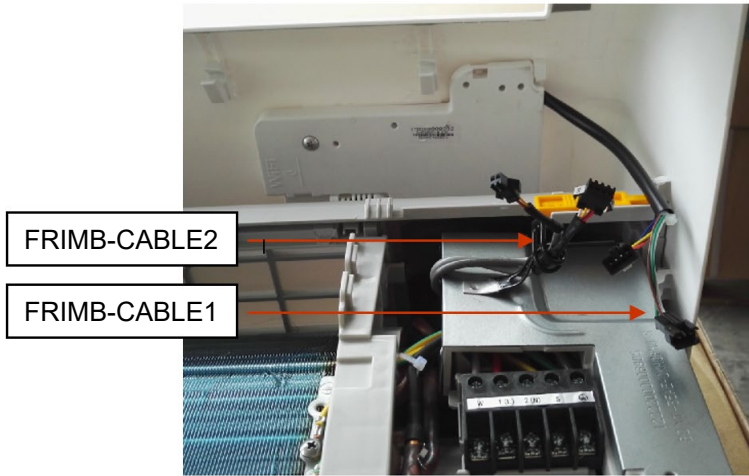
---

Step 3: Open the Display box and replace the old cable with FRIMB-CABLE1



---

Step 4: Install the Display box assembly and Electrical box assembly:



Step 5: Install the Support and Multi-function box:

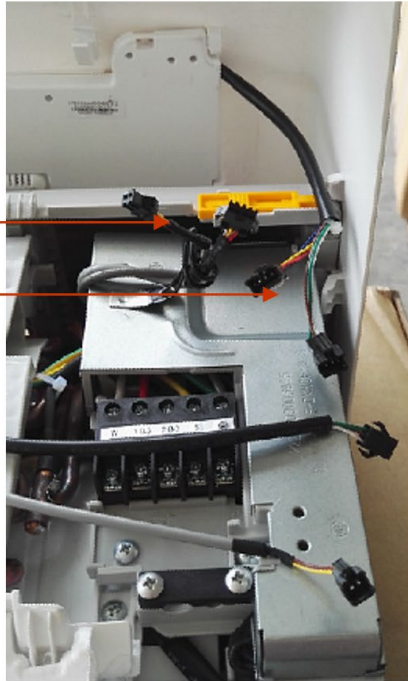


---

Step 6: Connect all the cables, as the point 1.B shows:

FRIMB-CABLE2

FRIMB-CABLE1



---

Step 7: Neaten all the cables to finish the installation.



## 2. Additional notes

---

Notes:

1 - Multi function board is compatible with wifi function and basic 4-wired controller at the same time, because wifi port and wired controller ports are connected to different sockets on the display board.

2 – Wall controller and centralized controller can not work at the same time.

3 - Wall controller compatible: KC – 03.2 SPS



**Kaysun**  
by **frigicoll**

**MAIN OFFICE**

Blasco de Garay, 4-6  
08960 Sant Just Desvern  
(Barcelona)  
Tel. +34 93 480 33 22  
<http://www.frigicoll.es/>  
<http://www.kaysun.es/en/>

**MADRID**

Senda Galiana, 1  
Poligono Industrial Coslada  
Coslada (Madrid)  
Tel. +34 91 669 97 01  
Fax. +34 91 674 21 00  
[madrid@frigicoll.es](mailto:madrid@frigicoll.es)