

PRODUCT SHEET

Floor Standing


 KI-05
Recommended control

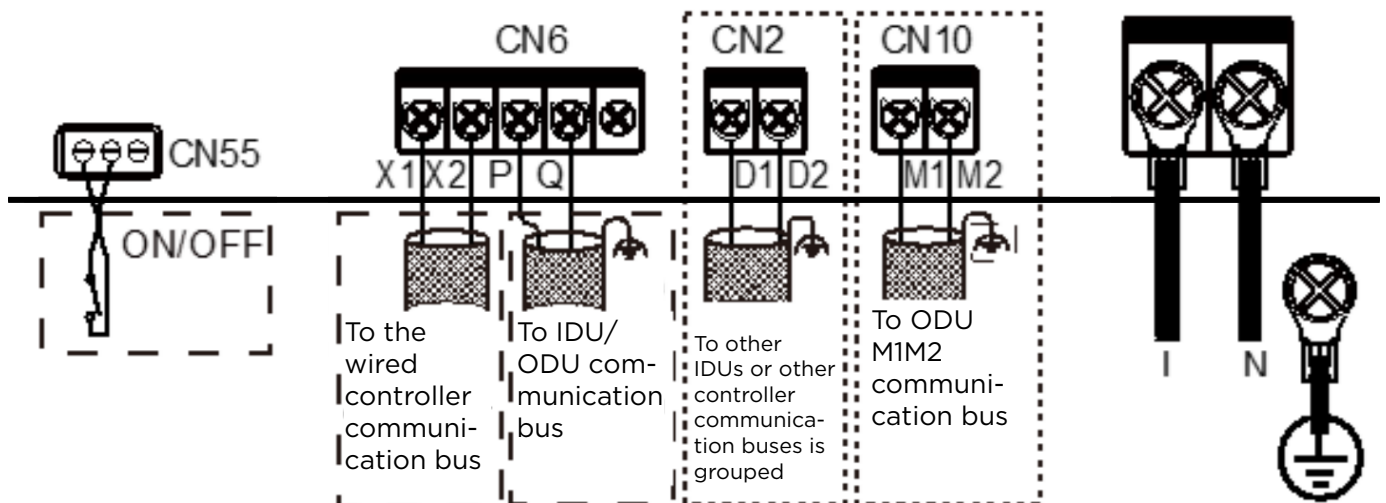
Product certified by:



FEATURES

Model	KSEF-22 DN5.0	KSEF-36 DN5.0	KSEF-56 DN5.0	KSEF-80 DN5.0
Nominal cooling capacity	2,20 kW	3,60 kW	5,60 kW	8,0 kW
Nominal heating capacity	2,40 kW	6,30 kW	6,30 kW	9,0 kW
Consumption	35 W	45 W	45 W	62 W
Power supply	220-240/1/50			
Max. intensity	15 A			
Air flow rate	430/441/453/464/475/486/498 m ³ /h	407/424/441/458/474/491/508 m ³ /h	764/786/821/860/888/904/934 m ³ /h	841/889/924/955/992/1011/1054 m ³ /h
Sound pressure	29/30/30.5/31/31.5/32/32,5 dB(A)	31/32/32.5/33/34/34,5/35 dB(A)	31/32/32.5/33/34/34,5/35 dB(A)	34/35/36/37/38/39/39,5 dB(A)
Pipe diameter	Ø1/8" / Ø1/2"	Ø1/8" / Ø1/2"	Ø1/8" / Ø1/2"	Ø3/8" / Ø5/8"
Drain diameter	Ø18,5	Ø18,5	Ø18,5	Ø18,5

CIRCUIT DIAGRAM

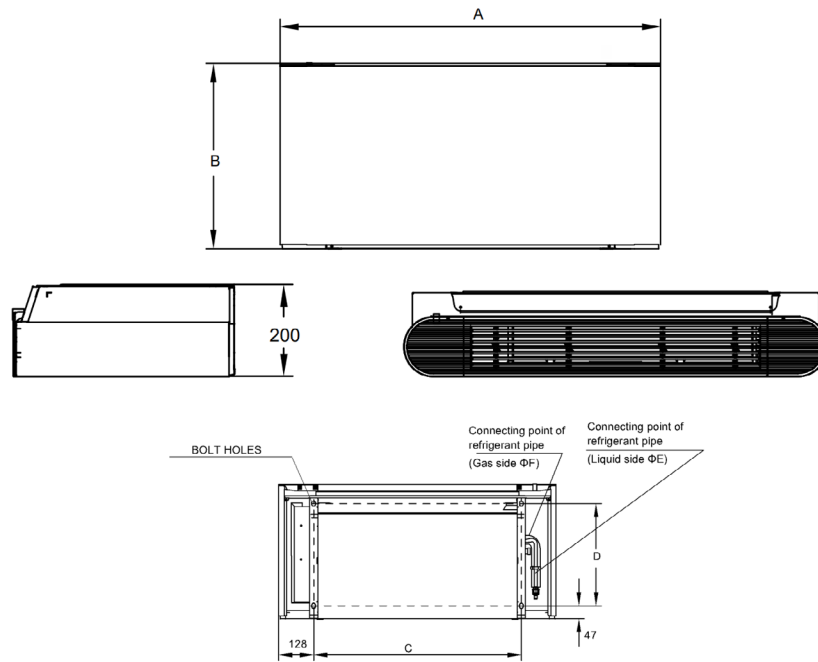


NOTES:

- (1) The data and specifications in this sheet are subject to change without notice.
- (2) The images in this sheet are for guidance only and may be different from the actual machine.
- (3) Cooling capacity conditions: Indoor temperature 27°C DB/19°C WB; Outdoor temperature 35°C DB; Equivalent refrigerant piping length 7.5 m with zero level difference; Data calculated with Duct type indoor unit. Heating capacity conditions: Indoor temperature 20°C DB; Outdoor temperature 7°C DB/6°C WB; Equivalent refrigerant piping length 7.5 m with zero level difference; Data calculated with Duct type indoor unit.
- (4) Sound pressure level is measured at a position 1 m in front of the unit and 1.3 m above the floor in a semi-anechoic chamber.

DIMENSIONS & WEIGHT

	KSEF-22 DN5.0	KSEF-36 DN5.0	KSEF-56 DN5.0	KSEF-80 DN5.0
A	1020 mm	1020 mm	1360 mm	1360 mm
B	495 mm	495 mm	591 mm	591 mm
C	764 mm	764 mm	1104 mm	1104 mm
D	375 mm	375 mm <td 391 mm	391 mm	
Inner unit weight	21,1 kg	21,1 kg	32,1 kg	33,1 kg



INSTALLATION

