

Floor Standing

PRODUCT SHEET



Integrated in unit


 KID-06 S
Standard controller

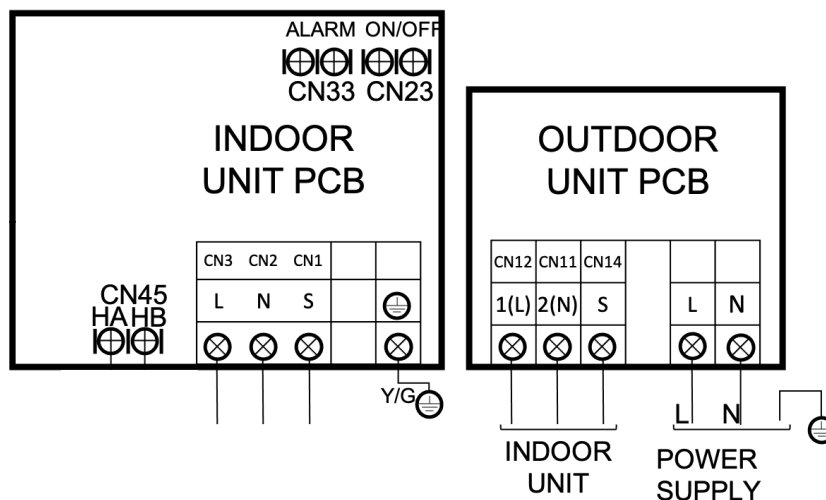
Product certified by:



FEATURES

Model	KPVA-160 DTR14
Cooling capacity	15,25 kW
Cooling power input	6.000 W
Heating capacity	18,18 kW
Heating power input	5.600 W
ErP Classification heat	A+
Airflow (indoor)	1.600/1.750/1.950 m ³ /h
Sound pressure (indoor)	40/45,50/50,50 dB(A)
Airflow (outdoor)	5.600 m ³ /h
Sound pressure (outdoor)	65 dB(A)
Power supply	380-415 V / 3 / 50 Hz
Max. input	14 A
Power wiring (indoor)	With communication
Power wiring (outdoor)	(4+T)x4 mm ²
Communication wiring	4x1 mm ²

WIRING DIAGRAM



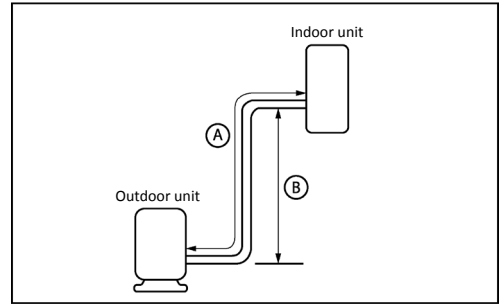
NOTES:

(1) The data and specifications present in this sheet may vary without notice.

(2) The images on this sheet are indicative and may be different from the final machine.

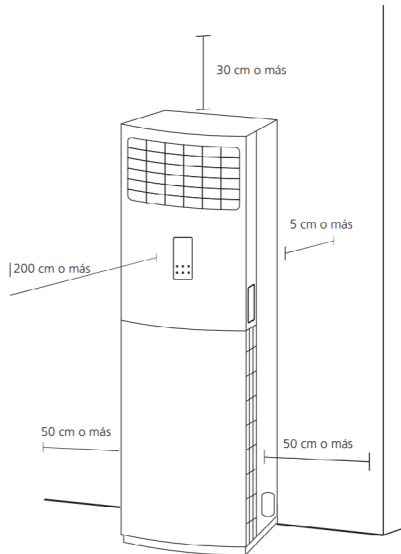
COOLING CONNECTION

Model	KPVA-160 DTR14
Refrigerating pipes	Ø3/8" / Ø5/8"
Refrigerant charge / Additional charge	3,20 kg / 0,024 kg
Indoor drain pipe	Ø25
Max. pipe length (A)	75 m
Max. level difference (B)	30 m



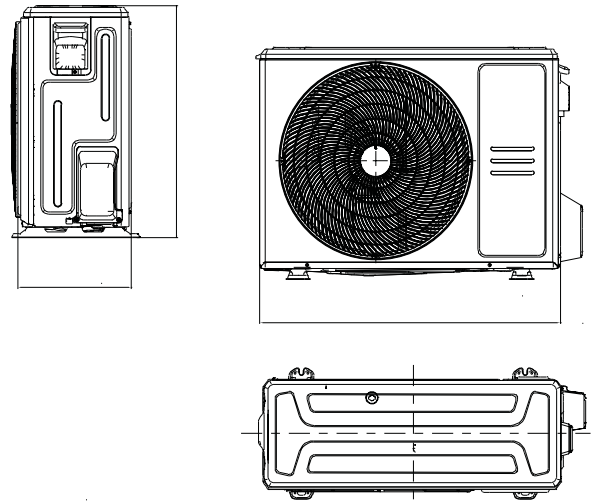
DIMENSIONS & WEIGHT INDOOR

Model	KPV-160 DR14
Width	600 mm
Height	1.934 mm
Depth	455 mm
Weight	61,40 kg



DIMENSIONS & WEIGHT OUTDOOR

Model	KUE-160 DTR14
Width	980 mm
Height	975 mm
Depth	375 mm
Weight	92 kg



INSTALLATION

