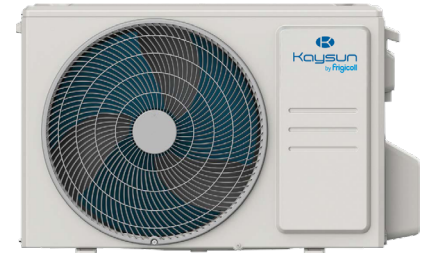


Floor / Ceiling

PRODUCT SHEET



KID-06 S
Standard controller



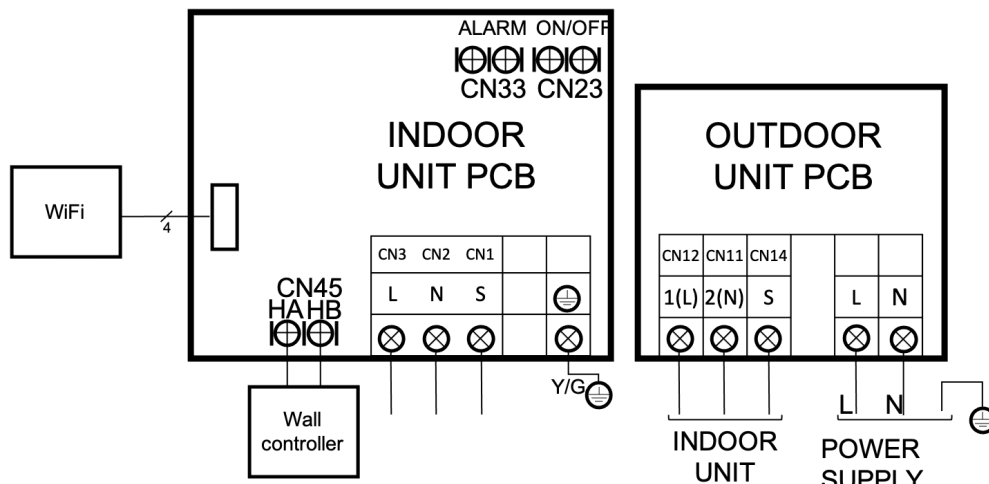
Product certified by:



FEATURES

Model	KPCA-52 DVR14
Cooling capacity	5,28 kW
Cooling power input	1.450 W
Heating capacity	5,57 kW
Heating power input	1.500 W
ErP Classification cold/heat	A++ / A+
Airflow (indoor)	723/839/958 m ³ /h
Sound pressure (indoor)	37/41/44 dB(A)
Airflow (outdoor)	2.100 m ³ /h
Sound pressure (outdoor)	56 dB(A)
Power supply	220-240 V / 1 / 50 Hz
Max. input	13,50 A
Power wiring (indoor)	With communication
Power wiring (outdoor)	(2+T)x1,50 mm ²
Communication wiring	(3+T)x1 mm ²

WIRING DIAGRAM



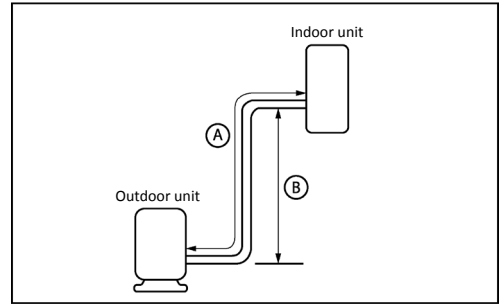
NOTES:

(1) The data and specifications present in this sheet may vary without notice.

(2) The images on this sheet are indicative and may be different from the final machine.

COOLING CONNECTION

Model	KPCA-52 DVR14	
Refrigerating pipes	Ø1/4" / Ø1/2"	
Refrigerant charge / Additional charge	1,15 kg / 0,012 kg	
Indoor drain pipe	Ø25	
Max. pipe length (A)	30 m	
Max. level difference (B)	20 m	

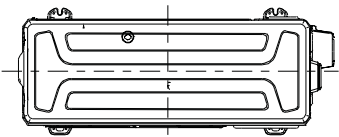
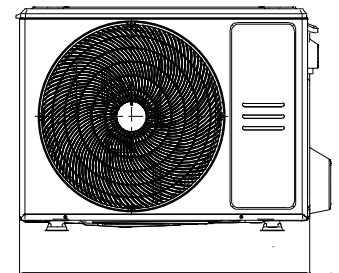
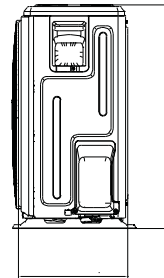
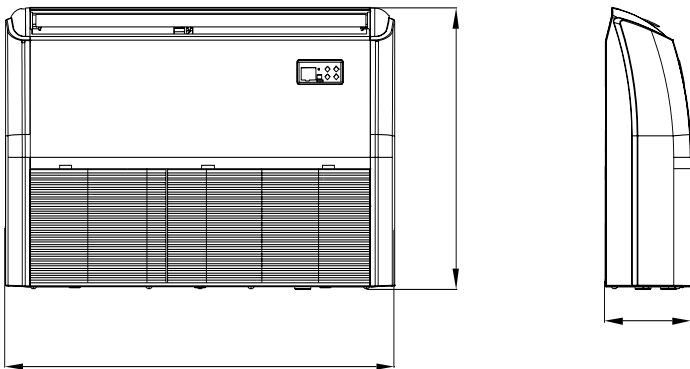


DIMENSIONS & WEIGHT INDOOR

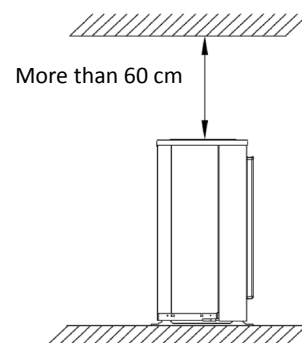
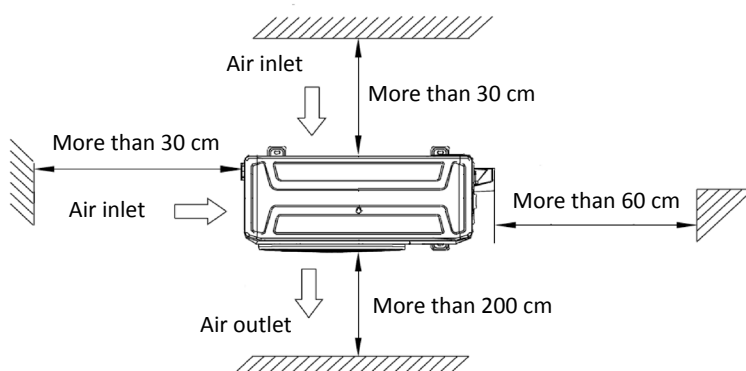
Model	KPC-52 DR14
Width	1.068 mm
Height	235 mm
Depth	675 mm
Weight	28 kg

DIMENSIONS & WEIGHT OUTDOOR

Model	KUE-52 DVR13
Width	805 mm
Height	554 mm
Depth	330 mm
Weight	32,50 kg



INSTALLATION

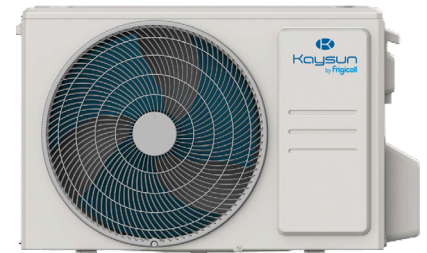


Floor / Ceiling

PRODUCT SHEET



KID-06 S
Standard controller



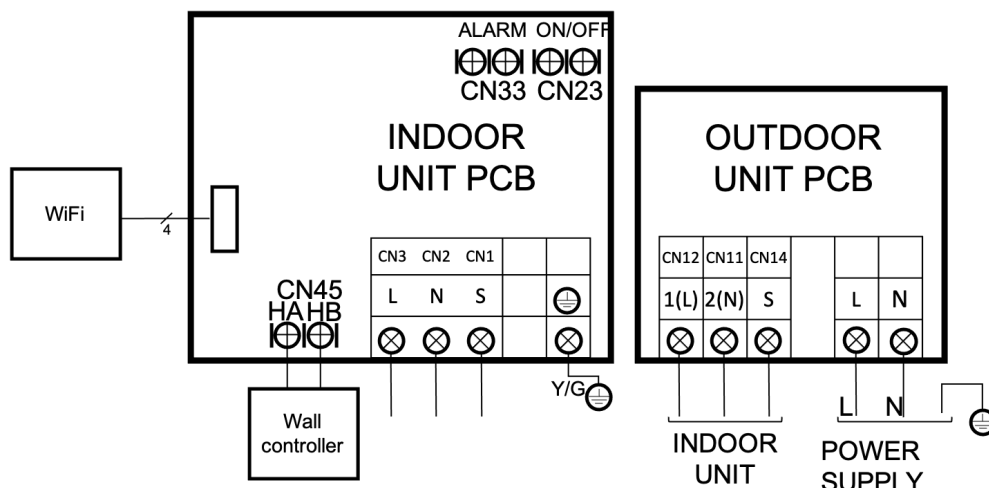
Product certified by:



FEATURES

Model	KPCA-71 DVR15
Cooling capacity	7,03 kW
Cooling power input	2.300 W
Heating capacity	7,62 kW
Heating power input	1.980 W
ErP Classification cold/heat	A++ / A+
Airflow (indoor)	853/1.023/1.192 m ³ /h
Sound pressure (indoor)	43/47/51 dB(A)
Airflow (outdoor)	3.500 m ³ /h
Sound pressure (outdoor)	60 dB(A)
Power supply	220-240 V / 1 / 50 Hz
Max. input	19 A
Power wiring (indoor)	With communication
Power wiring (outdoor)	(2+T)x4 mm ²
Communication wiring	(3+T)x1 mm ²

WIRING DIAGRAM



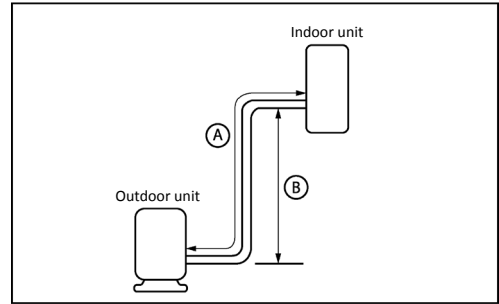
NOTES:

(1) The data and specifications present in this sheet may vary without notice.

(2) The images on this sheet are indicative and may be different from the final machine.

COOLING CONNECTION

Model	KPCA-71 DVR15	
Refrigerating pipes	Ø3/8" / Ø5/8"	
Refrigerant charge / Additional charge	1,50 kg / 0,024 kg	
Indoor drain pipe	Ø25	
Max. pipe length (A)	50 m	
Max. level difference (B)	25 m	

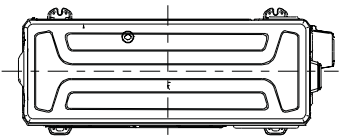
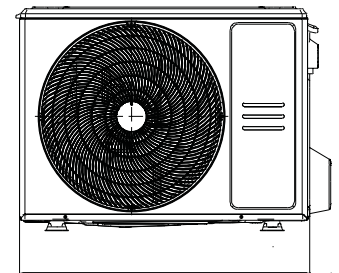
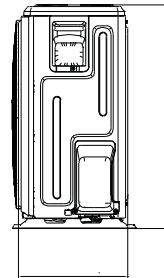
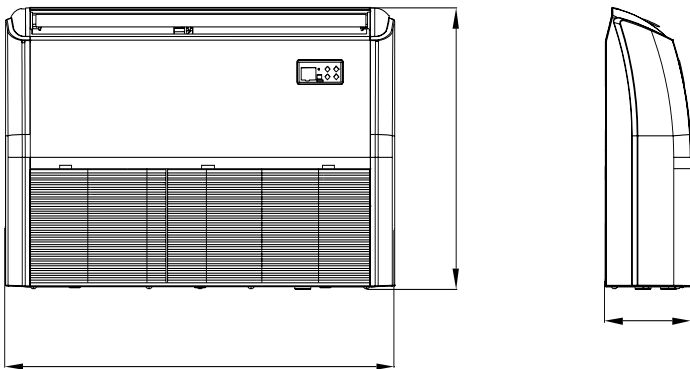


DIMENSIONS & WEIGHT INDOOR

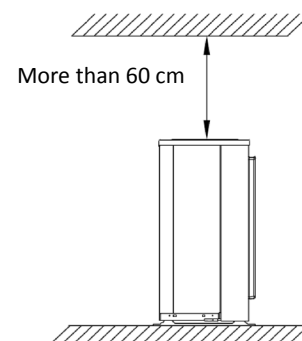
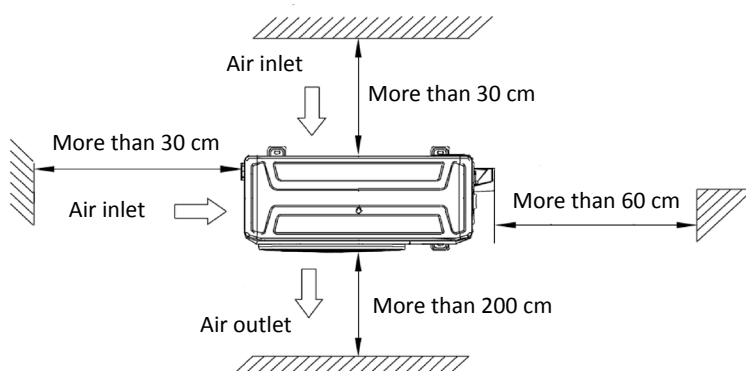
Model	KPC-71 DR14
Width	1.068 mm
Height	235 mm
Depth	675 mm
Weight	28 kg

DIMENSIONS & WEIGHT OUTDOOR

Model	KUE-71 DVR14
Width	890 mm
Height	673 mm
Depth	342 mm
Weight	43,90 kg



INSTALLATION

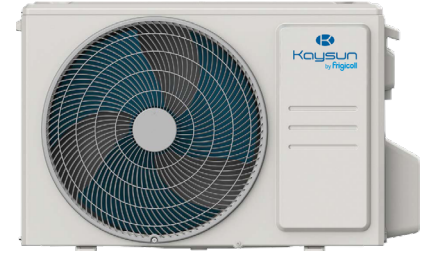


Floor / Ceiling

PRODUCT SHEET



KID-06 S
Standard controller



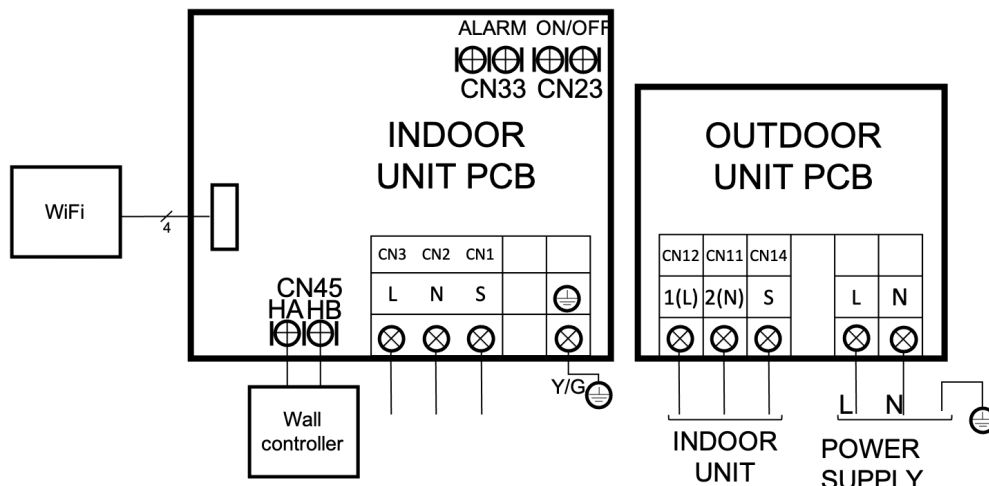
Product certified by:



FEATURES

Model	KPCA-105 DVR14
Cooling capacity	10,55 kW
Cooling power input	4.000 W
Heating capacity	11,72 kW
Heating power input	3.350 W
ErP Classification cold/heat	A++ / A+
Airflow (indoor)	1.504/1.728/1.955 m ³ /h
Sound pressure (indoor)	45/47,50/51 dB(A)
Airflow (outdoor)	3.800 m ³ /h
Sound pressure (outdoor)	62 dB(A)
Power supply	220-240 V / 1 / 50 Hz
Max. input	22,50 A
Power wiring (indoor)	With communication
Power wiring (outdoor)	(2+T)x4 mm ²
Communication wiring	(3+T)x1 mm ²

WIRING DIAGRAM



NOTES:

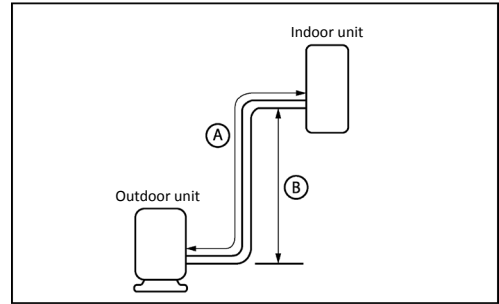
(1) The data and specifications present in this sheet may vary without notice.

(2) The images on this sheet are indicative and may be different from the final machine.

Edition 2024/04

COOLING CONNECTION

Model	KPCA-105 DVR14	
Refrigerating pipes	Ø3/8" / Ø5/8"	
Refrigerant charge / Additional charge	2 kg / 0,024 kg	
Indoor drain pipe	Ø25	
Max. pipe length (A)	50 m	
Max. level difference (B)	25 m	

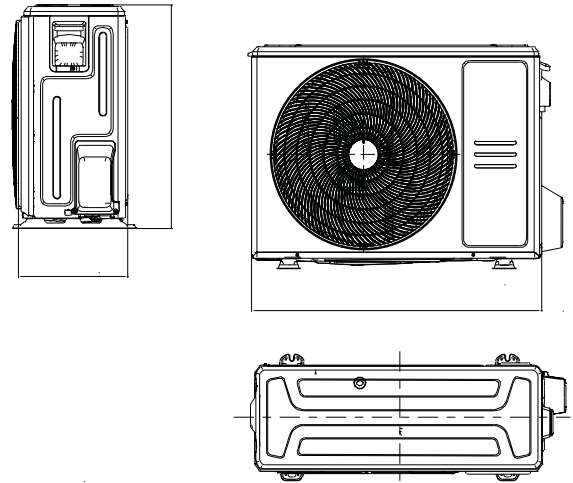
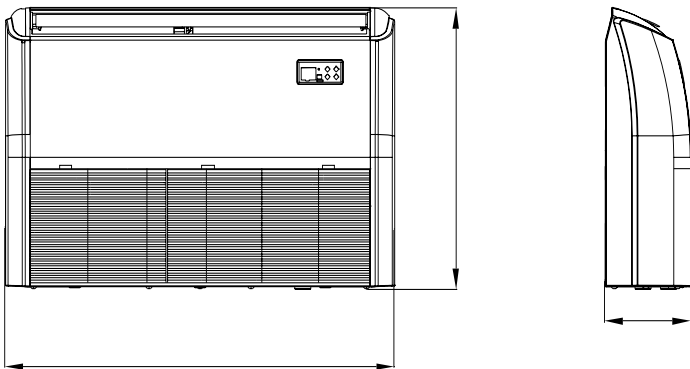


DIMENSIONS & WEIGHT INDOOR

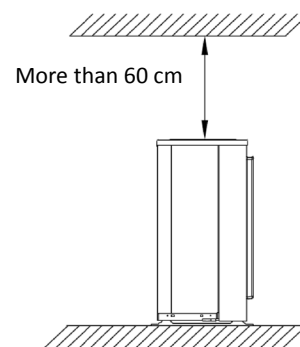
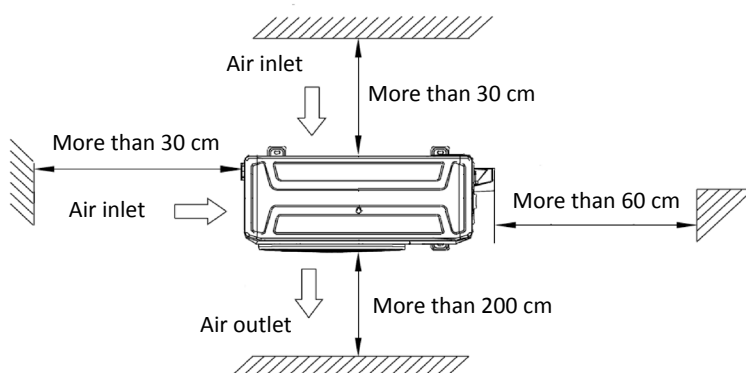
Model	KPC-105 DR14
Width	1.650 mm
Height	235 mm
Depth	675 mm
Weight	41,50 kg

DIMENSIONS & WEIGHT OUTDOOR

Model	KUE-105 DVR13
Width	946 mm
Height	810 mm
Depth	410 mm
Weight	66,90 kg



INSTALLATION

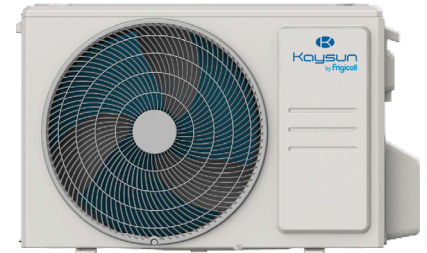


Floor / Ceiling

PRODUCT SHEET



KID-06 S
Standard controller



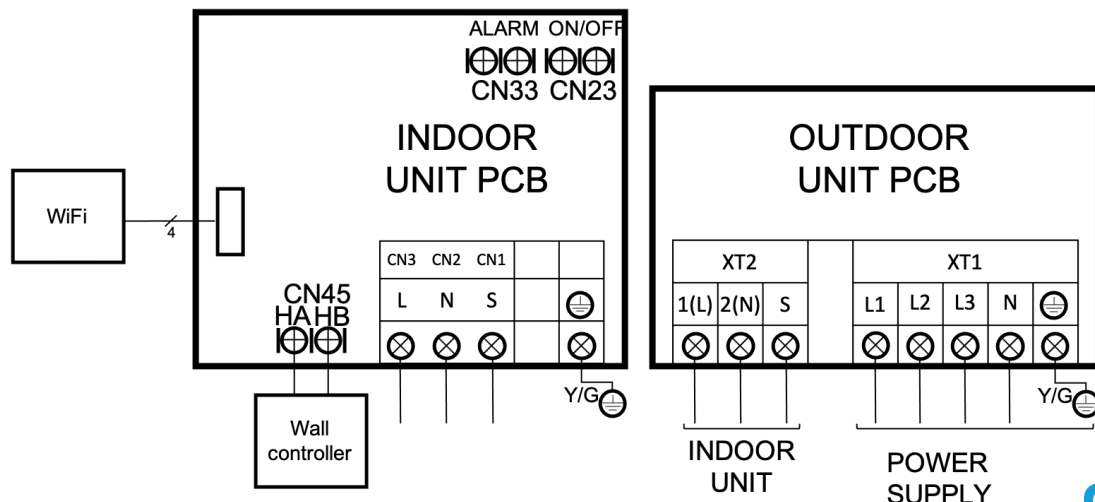
Product certified by:



FEATURES

Model	KPCA-105 DTR14
Cooling capacity	10,55 kW
Cooling power input	3.900 W
Heating capacity	11,72 kW
Heating power input	3.350 W
ErP Classification cold/heat	A++ / A+
Airflow (indoor)	1.504/1.728/2.100 m ³ /h
Sound pressure (indoor)	45/48/51,50 dB(A)
Airflow (outdoor)	4.000 m ³ /h
Sound pressure (outdoor)	63 dB(A)
Power supply	380-415 V / 3 / 50 Hz
Max. input	10 A
Power wiring (indoor)	With communication
Power wiring (outdoor)	(4+T)x2,50 mm ²
Communication wiring	(3+T)x1 mm ²

WIRING DIAGRAM



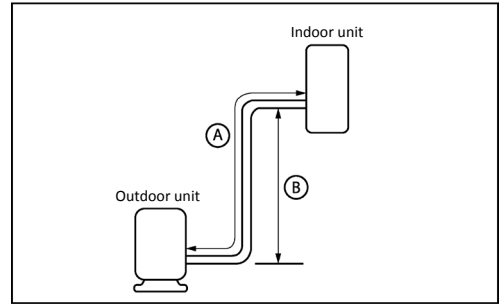
NOTES:

(1) The data and specifications present in this sheet may vary without notice.

(2) The images on this sheet are indicative and may be different from the final machine.

COOLING CONNECTION

Model	KPCA-105 DTR14	
Refrigerating pipes	Ø3/8" / Ø5/8"	
Refrigerant charge / Additional charge	2,40 kg / 0,024 kg	
Indoor drain pipe	Ø25	
Max. pipe length (A)	75 m	
Max. level difference (B)	30 m	

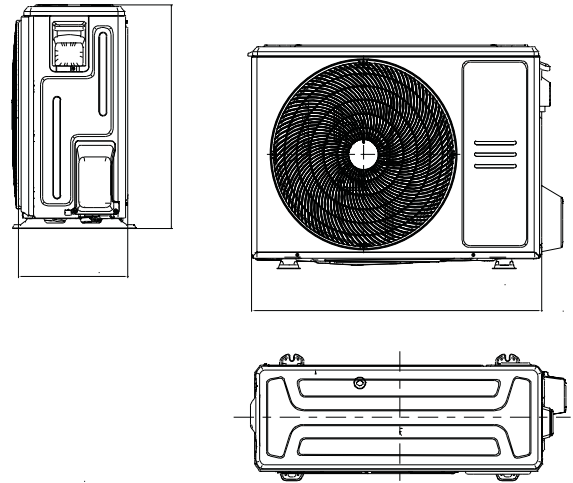
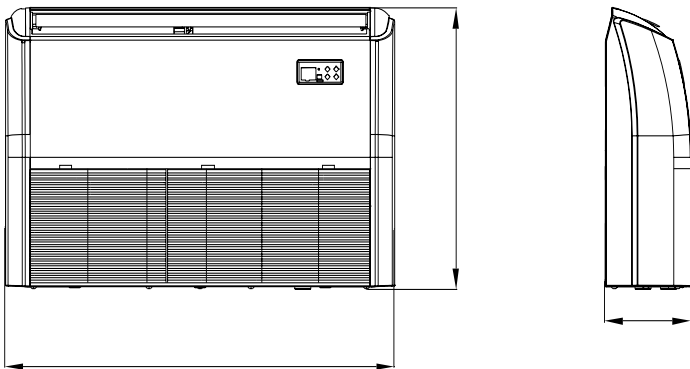


DIMENSIONS & WEIGHT INDOOR

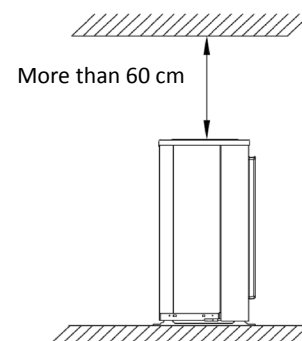
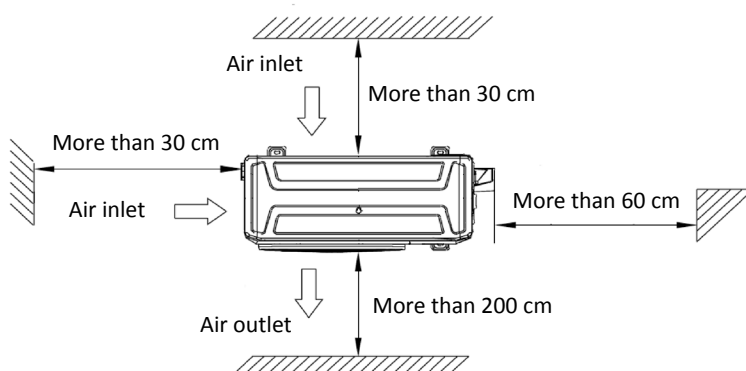
Model	KPC-105 DR14
Width	1.650 mm
Height	235 mm
Depth	675 mm
Weight	41,50 kg

DIMENSIONS & WEIGHT OUTDOOR

Model	KUE-105 DTR13
Width	946 mm
Height	810 mm
Depth	410 mm
Weight	80,50 kg



INSTALLATION

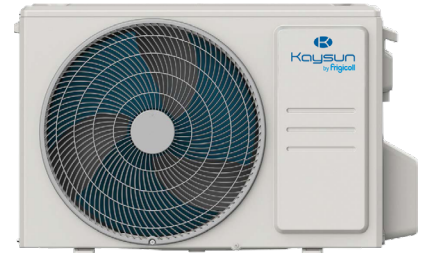


Floor / Ceiling

PRODUCT SHEET



KID-06 S
Standard controller



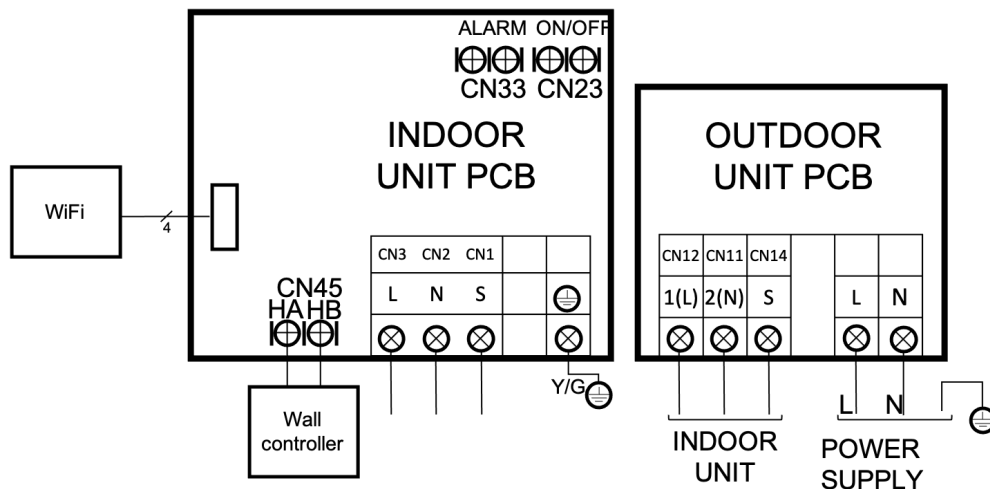
Product certified by:



FEATURES

Model	KPCA-125 DVR14
Cooling capacity	12,02 kW
Cooling power input	4.800 W
Heating capacity	13,48 kW
Heating power input	3.459 W
ErP Classification cold/heat	A++ / A+
Airflow (indoor)	1.600/1.850/2.200 m ³ /h
Sound pressure (indoor)	46/50/53 dB(A)
Airflow (outdoor)	4.000 m ³ /h
Sound pressure (outdoor)	63 dB(A)
Power supply	220-240 V / 1 / 50 Hz
Max. input	22,50 A
Power wiring (indoor)	With communication
Power wiring (outdoor)	(2+T)x2,50 mm ²
Communication wiring	(3+T)x1 mm ²

WIRING DIAGRAM

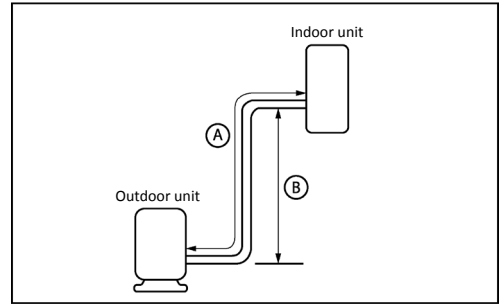


NOTES:

- (1) The data and specifications present in this sheet may vary without notice.
 (2) The images on this sheet are indicative and may be different from the final machine.

COOLING CONNECTION

Model	KPCA-125 DVR14	
Refrigerating pipes	Ø3/8" / Ø5/8"	
Refrigerant charge / Additional charge	2,80 kg / 0,024 kg	
Indoor drain pipe	Ø25	
Max. pipe length (A)	75 m	
Max. level difference (B)	30 m	

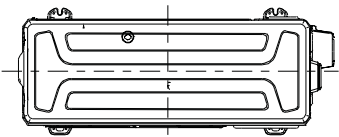
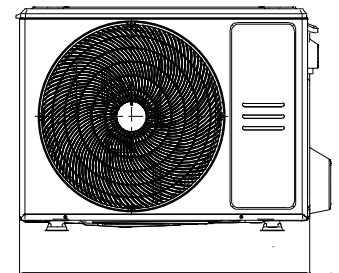
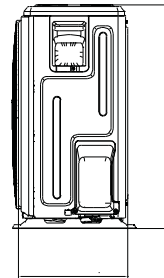
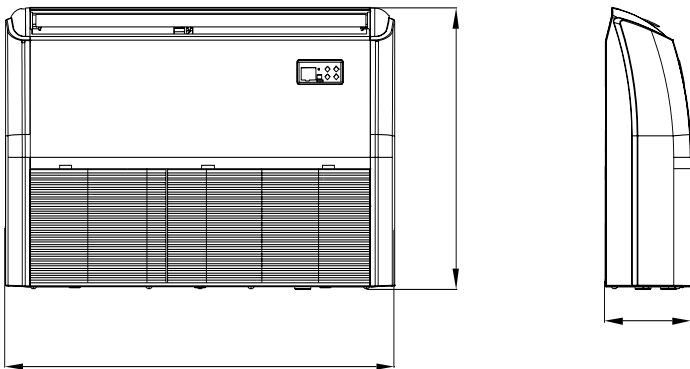


DIMENSIONS & WEIGHT INDOOR

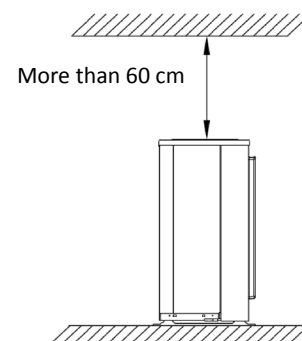
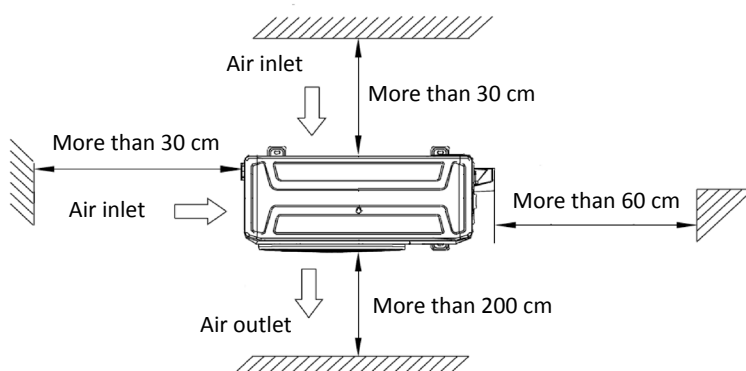
Model	KPC-140 DR14
Width	1.650 mm
Height	235 mm
Depth	675 mm
Weight	41,50 kg

DIMENSIONS & WEIGHT OUTDOOR

Model	KUE-125 DVR13
Width	946 mm
Height	810 mm
Depth	410 mm
Weight	71 kg



INSTALLATION

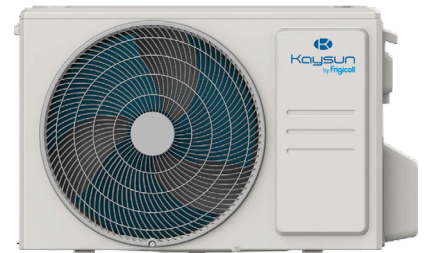


Floor / Ceiling

PRODUCT SHEET



KID-06 S
Standard controller



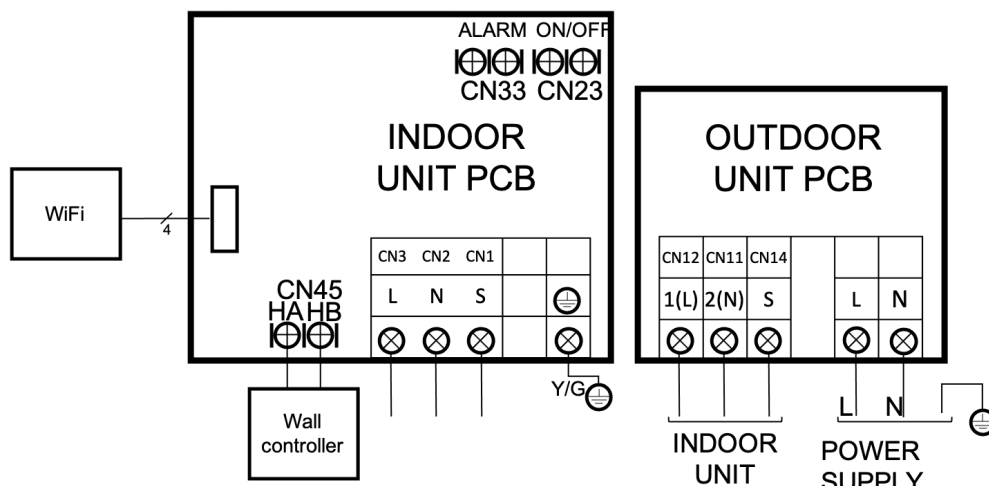
Product certified by:



FEATURES

Model	KPCA-140 DVR15
Cooling capacity	14,07 kW
Cooling power input	5.000 W
Heating capacity	16,12 kW
Heating power input	4.750 W
ErP Classification cold/heat	A++ / A+
Airflow (indoor)	1.600/1.850/2.200 m ³ /h
Sound pressure (indoor)	46/50/53 dB(A)
Airflow (outdoor)	4.000 m ³ /h
Sound pressure (outdoor)	64 dB(A)
Power supply	380-415 V / 3 / 50 Hz
Max. input	13 A
Power wiring (indoor)	With communication
Power wiring (outdoor)	(4+T)x2,50 mm ²
Communication wiring	(3+T)x1 mm ²

WIRING DIAGRAM



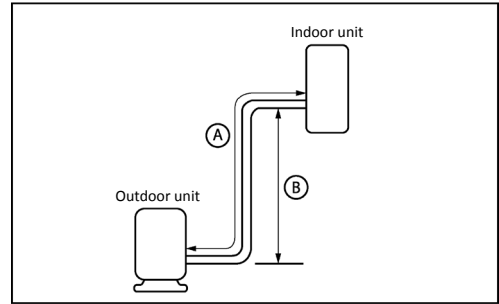
NOTES:

(1) The data and specifications present in this sheet may vary without notice.

(2) The images on this sheet are indicative and may be different from the final machine.

COOLING CONNECTION

Model	KPCA-140 DVR15	
Refrigerating pipes	Ø3/8" / Ø5/8"	
Refrigerant charge / Additional charge	2,40 kg / 0,024 kg	
Indoor drain pipe	Ø25	
Max. pipe length (A)	75 m	
Max. level difference (B)	30 m	

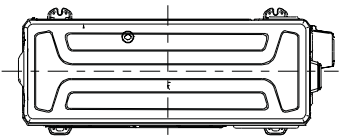
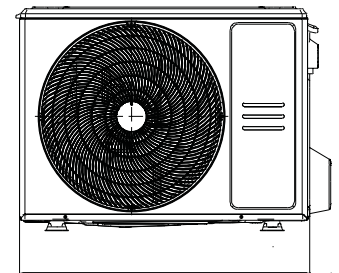
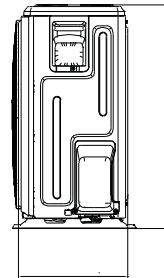
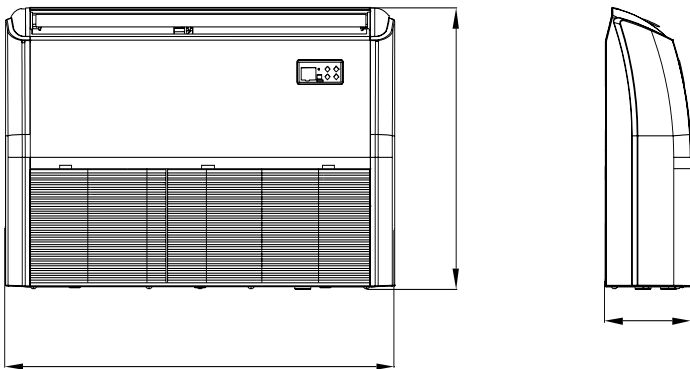


DIMENSIONS & WEIGHT INDOOR

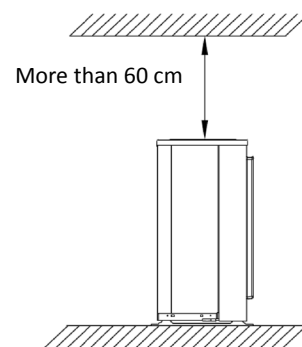
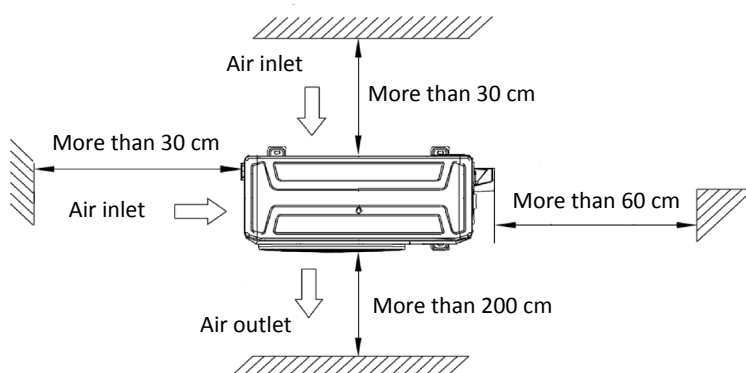
Model	KPC-140 DR14
Width	1.650 mm
Height	235 mm
Depth	675 mm
Weight	41,70 kg

DIMENSIONS & WEIGHT OUTDOOR

Model	KUE-140 DVR14
Width	980 mm
Height	975 mm
Depth	375 mm
Weight	82,5 kg



INSTALLATION

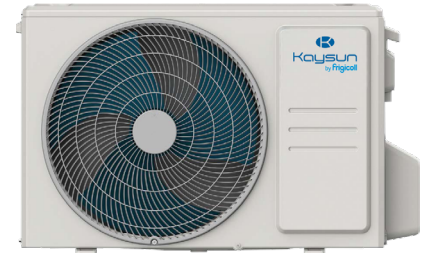


Floor / Ceiling

PRODUCT SHEET



KID-06 S
Standard controller



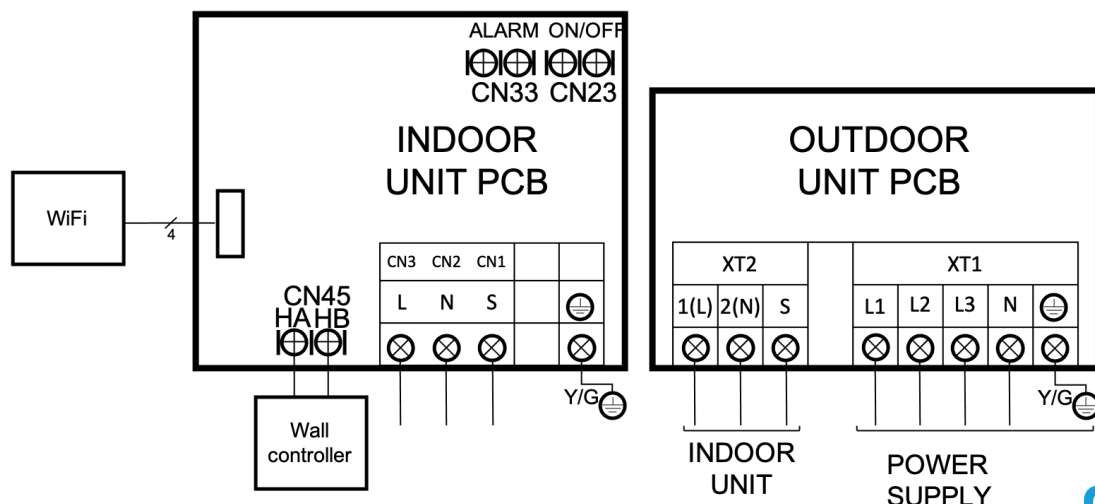
Product certified by:



FEATURES

Model	KPCA-140 DTR15
Cooling capacity	14,07 kW
Cooling power input	5.000 W
Heating capacity	16,12 kW
Heating power input	4.800 W
ErP Classification cold/heat	A++ / A+
Airflow (indoor)	1.600/1.850/2.200 m ³ /h
Sound pressure (indoor)	46/50/53 dB(A)
Airflow (outdoor)	4.000 m ³ /h
Sound pressure (outdoor)	64 dB(A)
Power supply	380-415 V / 3 / 50 Hz
Max. input	13 A
Power wiring (indoor)	With communication
Power wiring (outdoor)	(4+T)x2,50 mm ²
Communication wiring	(3+T)x1 mm ²

WIRING DIAGRAM



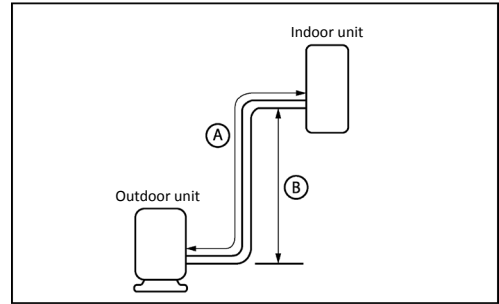
NOTES:

(1) The data and specifications present in this sheet may vary without notice.

(2) The images on this sheet are indicative and may be different from the final machine.

COOLING CONNECTION

Model	KPCA-140 DTR15	
Refrigerating pipes	Ø3/8" / Ø5/8"	
Refrigerant charge / Additional charge	2,40 kg / 0,024 kg	
Indoor drain pipe	Ø25	
Max. pipe length (A)	75 m	
Max. level difference (B)	30 m	

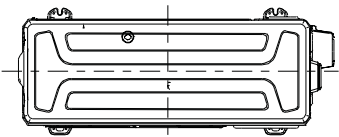
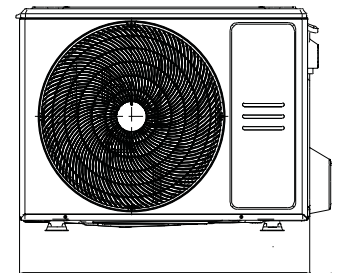
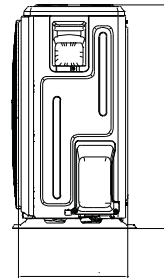
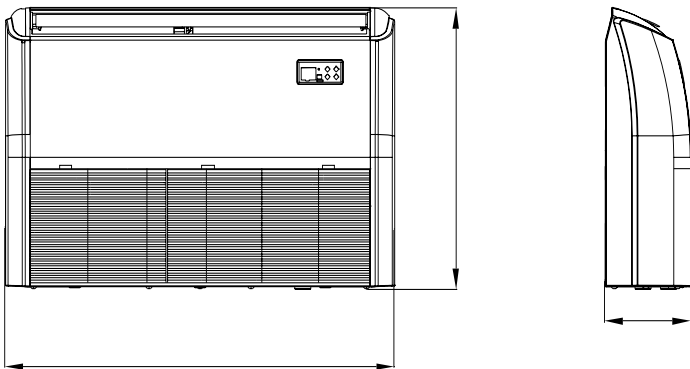


DIMENSIONS & WEIGHT INDOOR

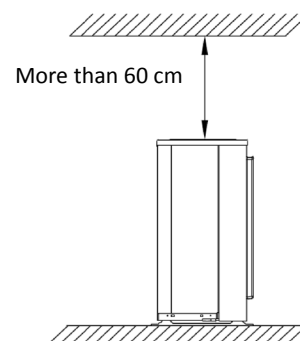
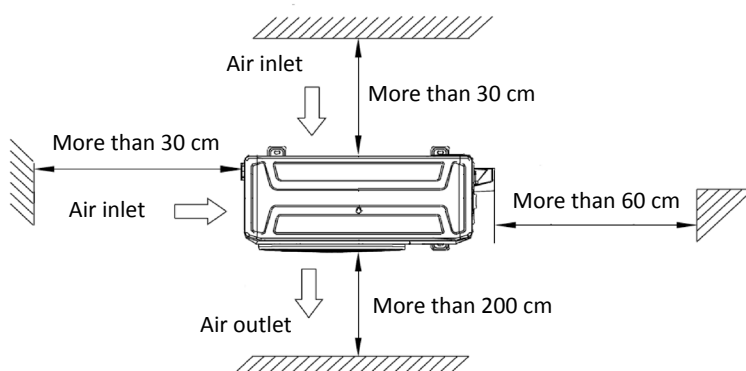
Model	KPC-140 DR14
Width	1.650 mm
Height	235 mm
Depth	675 mm
Weight	41,70 kg

DIMENSIONS & WEIGHT OUTDOOR

Model	KUE-140 DTR14
Width	980 mm
Height	975 mm
Depth	375 mm
Weight	90 kg



INSTALLATION

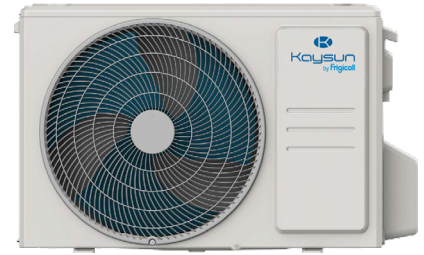


Floor / Ceiling

PRODUCT SHEET



KID-06 S
Standard controller



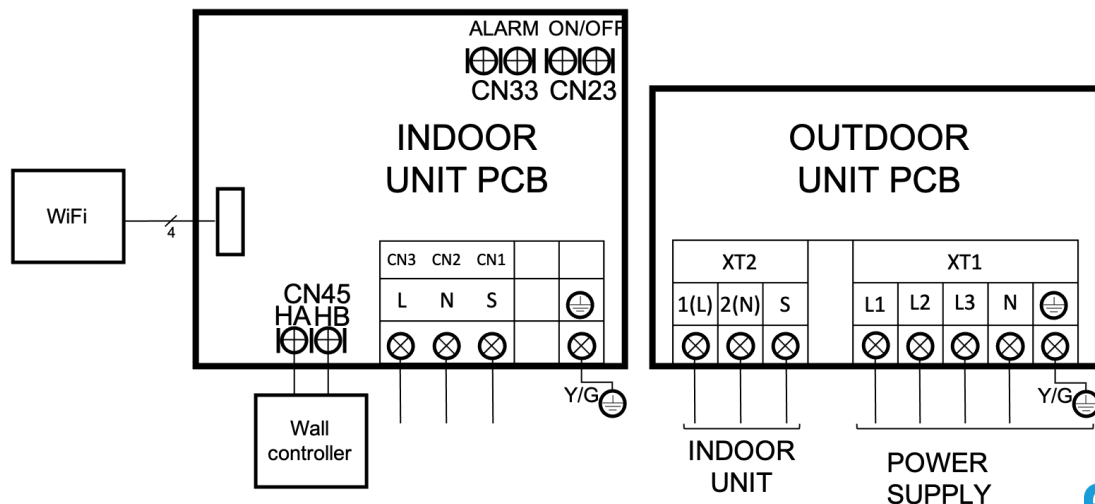
Product certified by:



FEATURES

Model	KPCA-160 DTR15
Cooling capacity	15,24 kW
Cooling power input	5.900 W
Heating capacity	18,17 kW
Heating power input	5.950 W
ErP Classification cold/heat	A++ / A+
Airflow (indoor)	1.650/1.950/2.200 m ³ /h
Sound pressure (indoor)	48/52/55 dB(A)
Airflow (outdoor)	4.000 m ³ /h
Sound pressure (outdoor)	65 dB(A)
Power supply	380-415 V / 3 / 50 Hz
Max. input	14 A
Power wiring (indoor)	With communication
Power wiring (outdoor)	(4+T)x4 mm ²
Communication wiring	(3+T)x1 mm ²

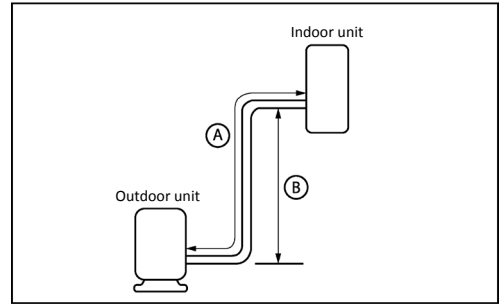
WIRING DIAGRAM



NOTES:
(1) The data and specifications present in this sheet may vary without notice.
(2) The images on this sheet are indicative and may be different from the final machine.

COOLING CONNECTION

Model	KPCA-160 DTR15	
Refrigerating pipes	Ø3/8" / Ø5/8"	
Refrigerant charge / Additional charge	2,80 kg / 0,024 kg	
Indoor drain pipe	Ø25	
Max. pipe length (A)	75 m	
Max. level difference (B)	30 m	

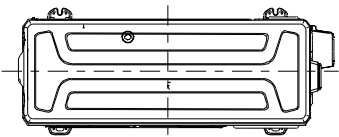
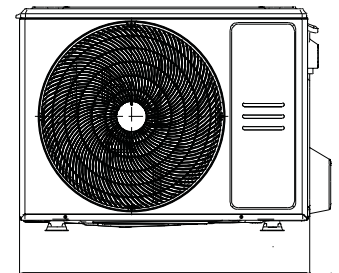
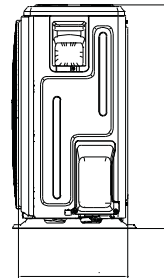
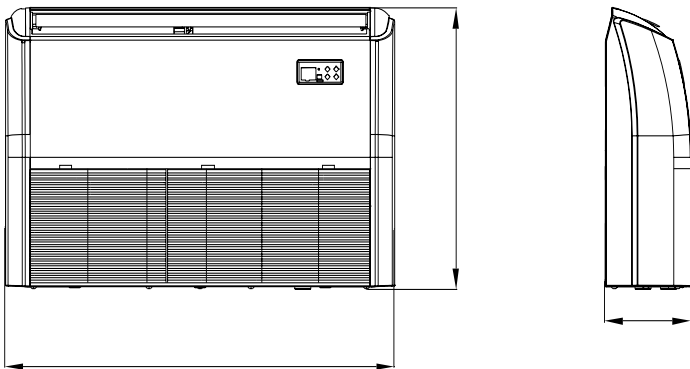


DIMENSIONS & WEIGHT INDOOR

Model	KPC-160 DR14
Width	1.650 mm
Height	235 mm
Depth	675 mm
Weight	42,30 kg

DIMENSIONS & WEIGHT OUTDOOR

Model	KUE-160 DTR14
Width	980 mm
Height	975 mm
Depth	375 mm
Weight	92 kg



INSTALLATION

