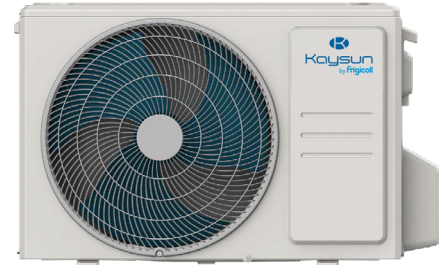


SuperSlim Cassette 840x840

PRODUCT SHEET



KID-05 S
Standard controller



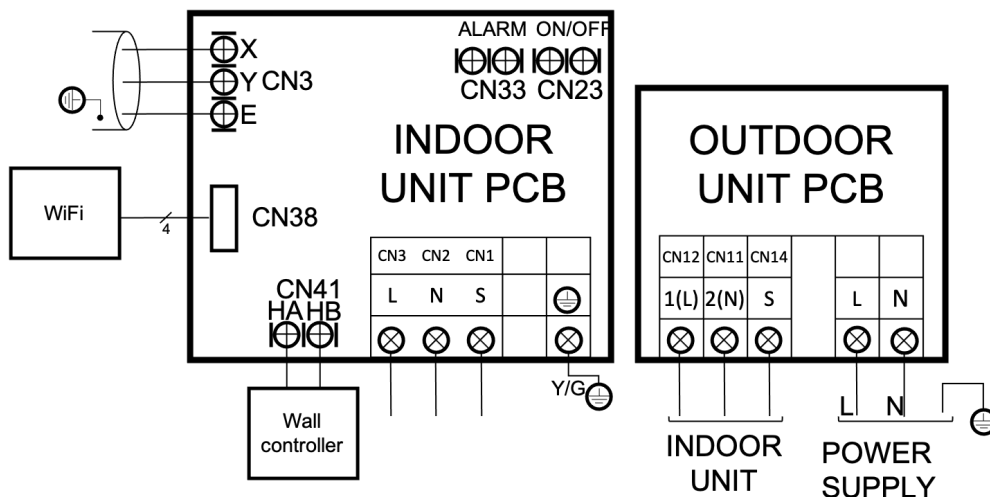
Product certified by:



FEATURES

Model	KCISA-71 DVR15
Cooling capacity	7,03 kW
Cooling power input	2.320 W
Heating capacity	7,62 kW
Heating power input	1.900 W
ErP Classification cold/heat	A++ / A+
Airflow (indoor)	992/1.118/1.247 m ³ /h
Sound pressure (indoor)	42/47,50/50 dB(A)
Airflow (outdoor)	3.500 m ³ /h
Sound pressure (outdoor)	60 dB(A)
Power supply	220-240 V / 1 / 50 Hz
Max. input	19 A
Power wiring (indoor)	With communication
Power wiring (outdoor)	(2+T)x2,50 mm ²
Communication wiring	(3+T)x1 mm ²

WIRING DIAGRAM



NOTES:

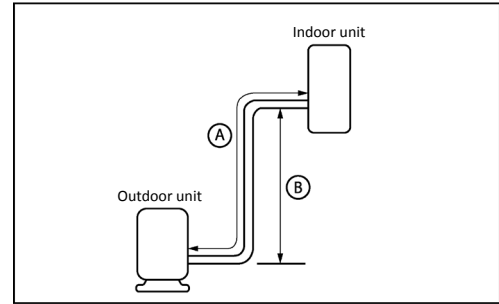
(1) The data and specifications present in this sheet may vary without notice.

(2) The images on this sheet are indicative and may be different from the final machine.

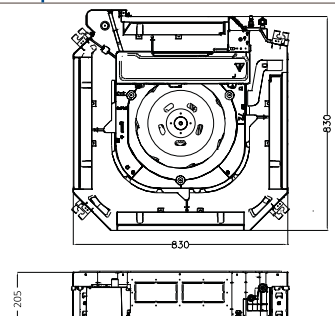
COOLING CONNECTION

Model	
Refrigerating pipes	Ø3/8" / Ø5/8"
Refrigerant charge / Additional charge	1,90 kg / 0,024 kg
Indoor drain pipe	Ø32
Max. pipe length (A)	50 m
Max. level difference (B)	25 m

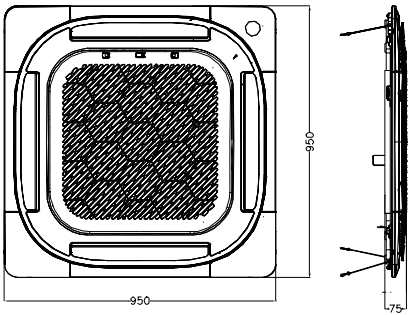
KCISA-71 DVR15



DIMENSIONS & WEIGHT INDOOR

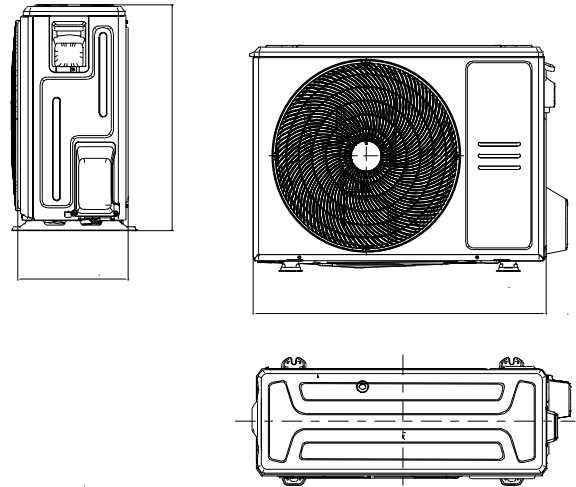
Model	KCIS-71 DR14
	
Weight	21,60 kg

DIMENSIONS & WEIGHT PANEL

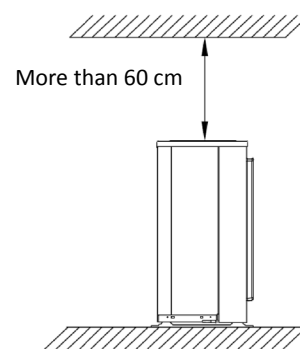
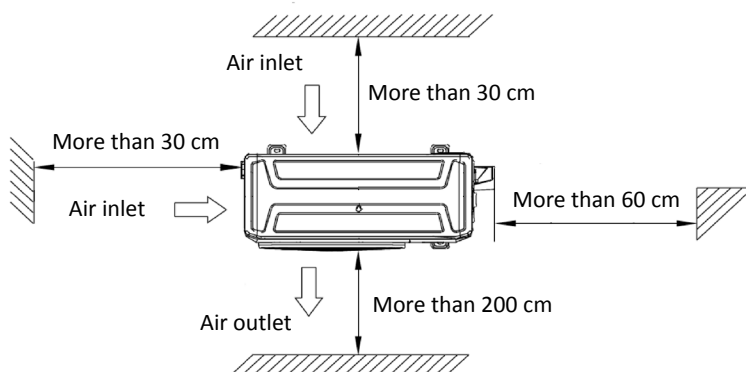
Model	KPA4-04B 840x840
	
Weight	6 kg

DIMENSIONS & WEIGHT OUTDOOR

Model	KUE-71 DVR14
Width	890 mm
Height	673 mm
Depth	342 mm
Weight	41,90 kg



INSTALLATION

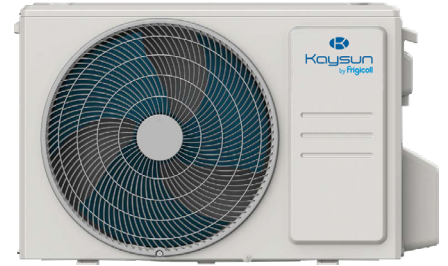


SuperSlim Cassette 840x840

PRODUCT SHEET



KID-05 S
Recommended controller



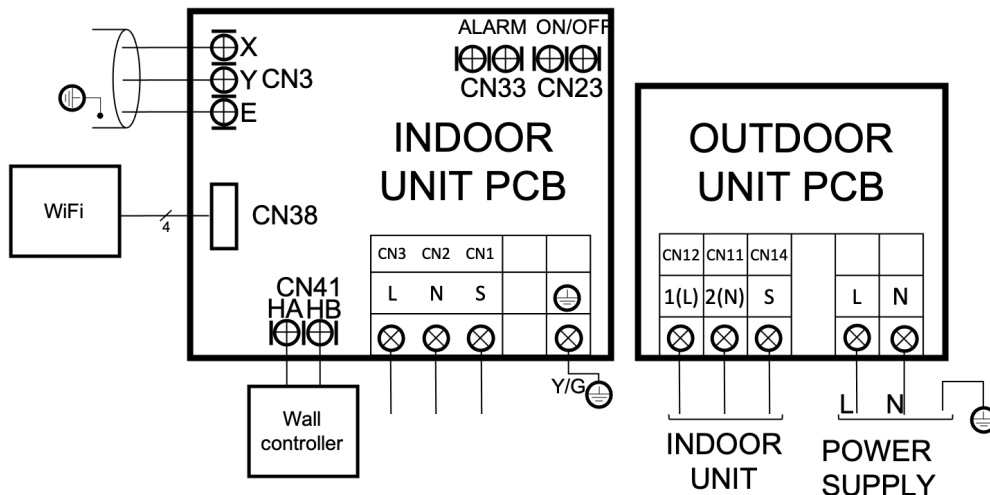
Product certified by:



FEATURES

Model	KCISA-90 DVR15
Cooling capacity	8,79 kW
Cooling power input	2.750 W
Heating capacity	9,38 kW
Heating power input	2.450 W
ErP Classification cold/heat	A++ / A+
Airflow (indoor)	1.300/1.530/1.700 m ³ /h
Sound pressure (indoor)	46/48/50,50 dB(A)
Airflow (outdoor)	3.800 m ³ /h
Sound pressure (outdoor)	63 dB(A)
Power supply	220-240 V / 1 / 50 Hz
Max. input	20 A
Power wiring (indoor)	With communication
Power wiring (outdoor)	(2+T)x2,50 mm ²
Communication wiring	(3+T)x1 mm ²

WIRING DIAGRAM

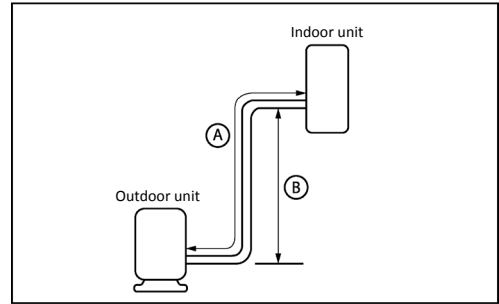


NOTES:

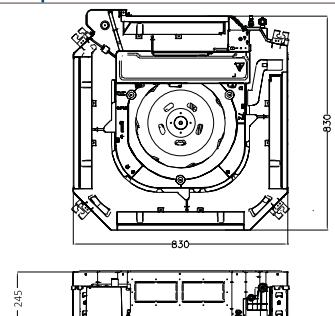
(1) The data and specifications present in this sheet may vary without notice.
 (2) The images on this sheet are indicative and may be different from the final machine.

COOLING CONNECTION

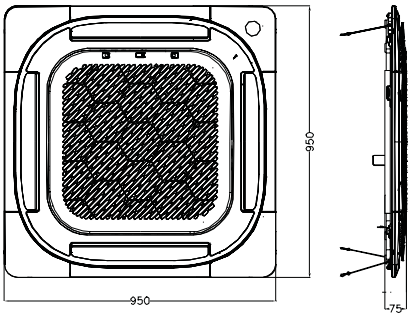
Model	KCISA-90 DVR15
Refrigerating pipes	Ø3/8" / Ø5/8"
Refrigerant charge / Additional charge	2 kg / 0,024 kg
Indoor drain pipe	Ø32
Max. pipe length (A)	50 m
Max. level difference (B)	25 m



DIMENSIONS & WEIGHT INDOOR

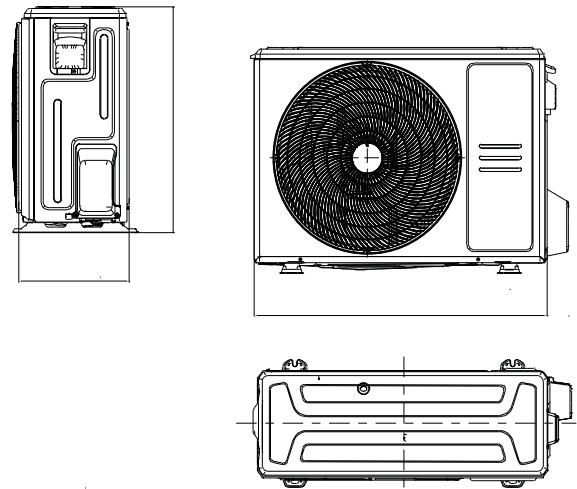
Model	KCIS-90 DR14
	
Weight	24,60 kg

DIMENSIONS & WEIGHT PANEL

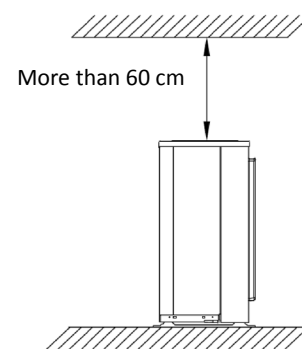
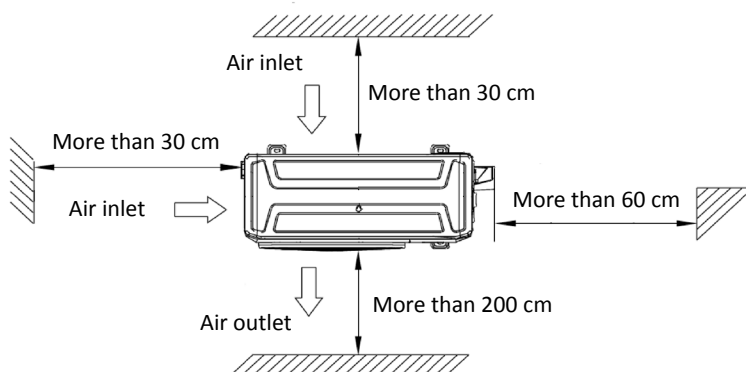
Model	KPA4-04B 840x840
	
Weight	6 kg

DIMENSIONS & WEIGHT OUTDOOR

Model	KUE-90 DVR14
Width	890 mm
Height	673 mm
Depth	410 mm
Weight	51 kg



INSTALLATION

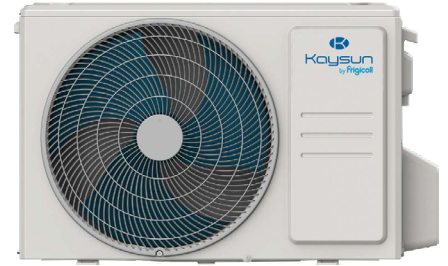


SuperSlim Cassette 840x840

PRODUCT SHEET



KID-05 S
Recommended controller



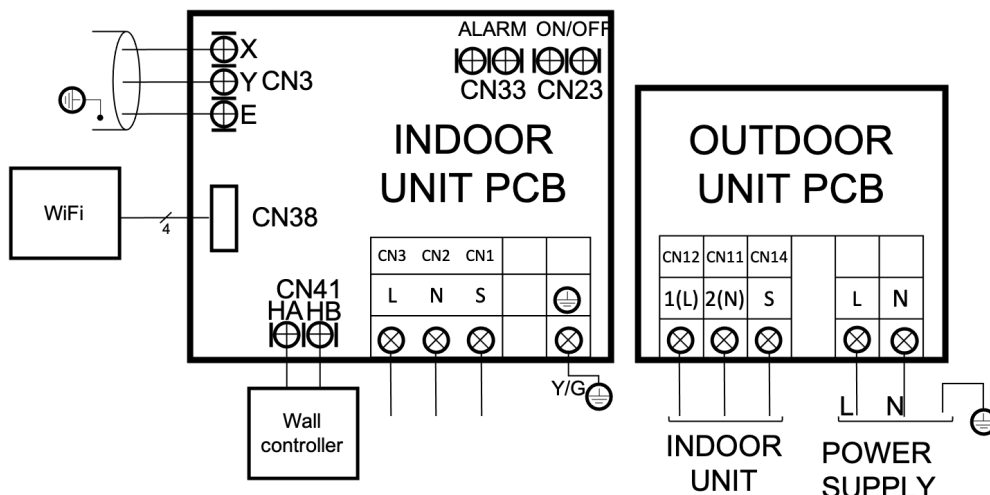
Product certified by:



FEATURES

Model	KCISA-105 DVR14
Cooling capacity	10,55 kW
Cooling power input	4.000 W
Heating capacity	11,14 kW
Heating power input	3.000 W
ErP Classification cold/heat	A++ / A+
Airflow (indoor)	1.300/1.530/1.700 m ³ /h
Sound pressure (indoor)	46/49/51 dB(A)
Airflow (outdoor)	4.000 m ³ /h
Sound pressure (outdoor)	63 dB(A)
Power supply	220-240 V / 1 / 50 Hz
Max. input	22,50 A
Power wiring (indoor)	With communication
Power wiring (outdoor)	(2+T)x4 mm ²
Communication wiring	(3+T)x1 mm ²

WIRING DIAGRAM



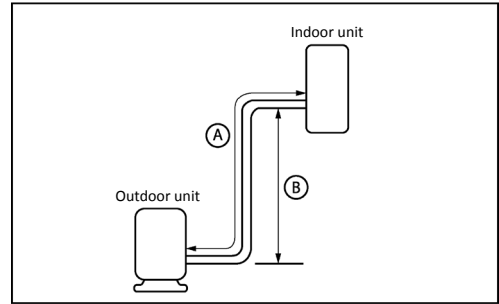
NOTES:

(1) The data and specifications present in this sheet may vary without notice.

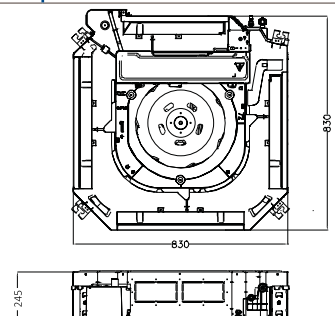
(2) The images on this sheet are indicative and may be different from the final machine.

COOLING CONNECTION

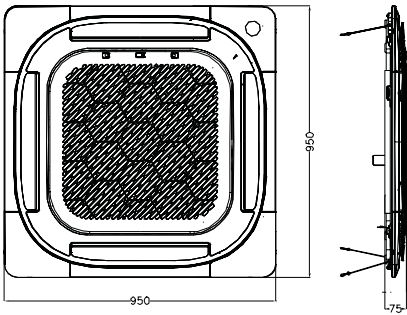
Model	KCISA-105 DVR14
Refrigerating pipes	Ø3/8" / Ø5/8"
Refrigerant charge / Additional charge	2,40 kg / 0,024 kg
Indoor drain pipe	Ø32
Max. pipe length (A)	75 m
Max. level difference (B)	30 m



DIMENSIONS & WEIGHT INDOOR

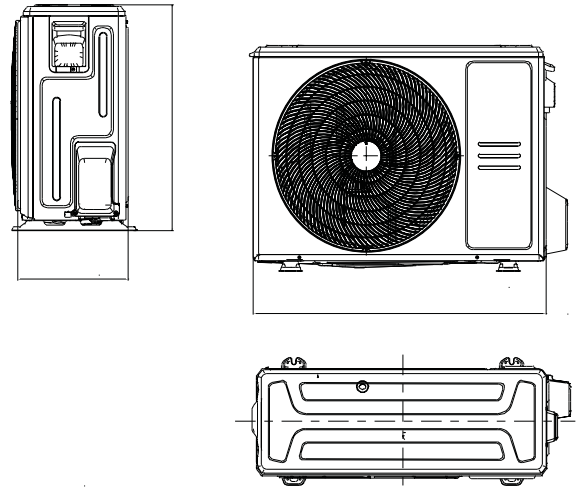
Model	KCIS-105 DR14
	
Weight	27,20 kg

DIMENSIONS & WEIGHT PANEL

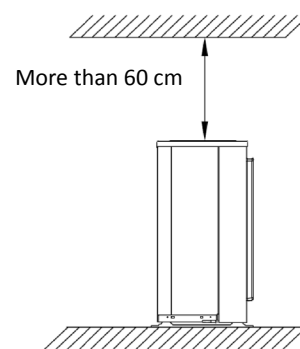
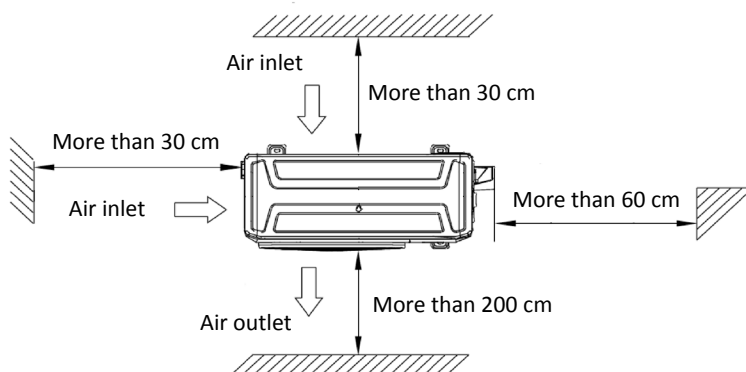
Model	KPA4-04B 840x840
	
Weight	6 kg

DIMENSIONS & WEIGHT OUTDOOR

Model	KUE-105 DVR13
Width	946 mm
Height	810 mm
Depth	410 mm
Weight	66,90 kg



INSTALLATION

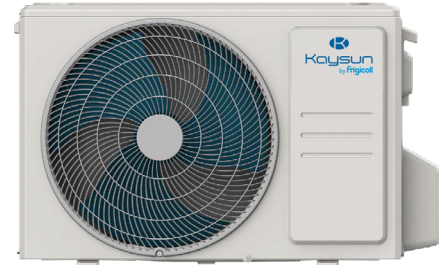


SuperSlim Cassette 840x840

PRODUCT SHEET



KID-05 S
Recommended controller



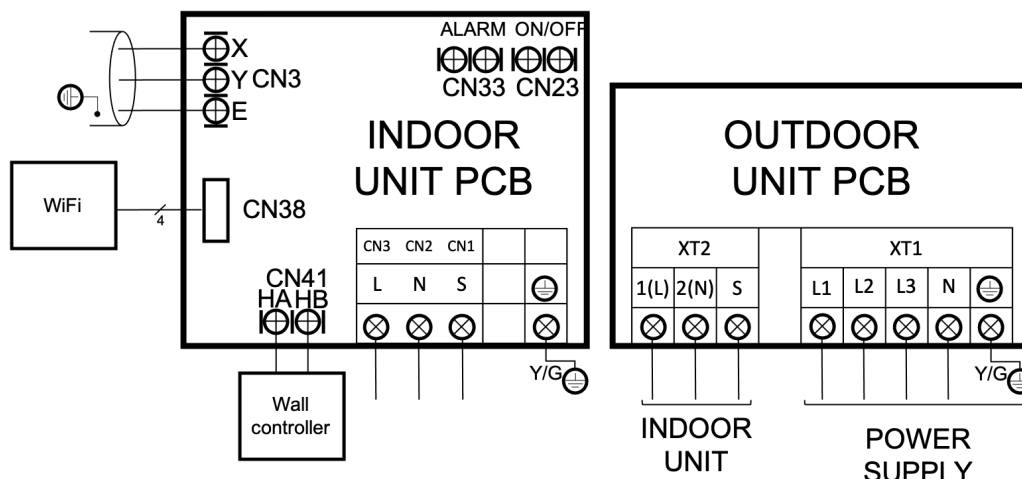
Product certified by:



FEATURES

Model	KCISA-105 DTR14
Cooling capacity	10,55 kW
Cooling power input	4.000 W
Heating capacity	11,14 kW
Heating power input	3.000 W
ErP Classification cold/heat	A++ / A+
Airflow (indoor)	1.300/1.530/1.700 m ³ /h
Sound pressure (indoor)	46/49/51 dB(A)
Airflow (outdoor)	4.000 m ³ /h
Sound pressure (outdoor)	63 dB(A)
Power supply	380-415 V / 3 / 50 Hz
Max. input	10 A
Power wiring (indoor)	With communication
Power wiring (outdoor)	(4+T)x2,50 mm ²
Communication wiring	(3+T)x1 mm ²

WIRING DIAGRAM

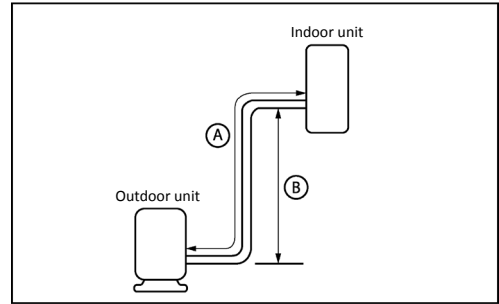


NOTES:

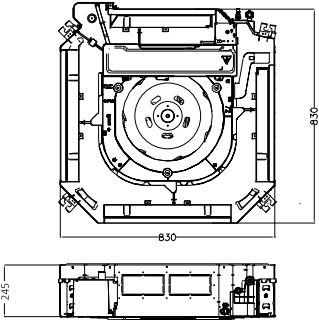
- (1) The data and specifications present in this sheet may vary without notice.
 (2) The images on this sheet are indicative and may be different from the final machine.

COOLING CONNECTION

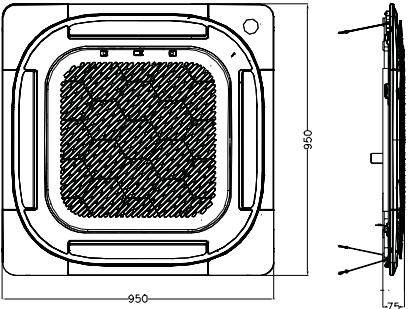
Model	KCISA-105 DTR14	
Refrigerating pipes	Ø3/8" / Ø5/8"	
Refrigerant charge / Additional charge	2,40 kg / 0,024 kg	
Indoor drain pipe	Ø32	
Max. pipe length (A)	75 m	
Max. level difference (B)	30 m	



DIMENSIONS & WEIGHT INDOOR

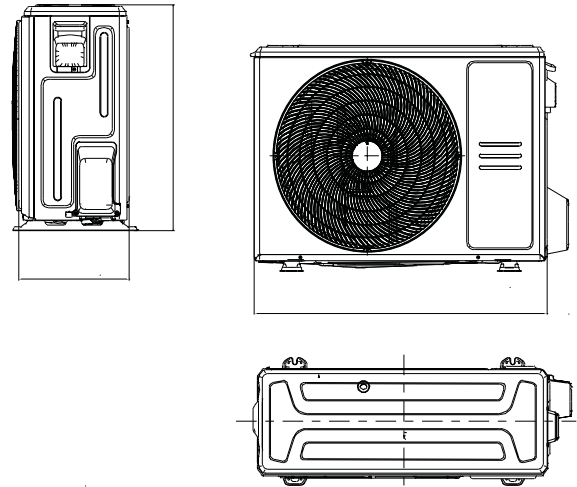
Model	KCIS-105 DR14
	
Weight	27,20 kg

DIMENSIONS & WEIGHT PANEL

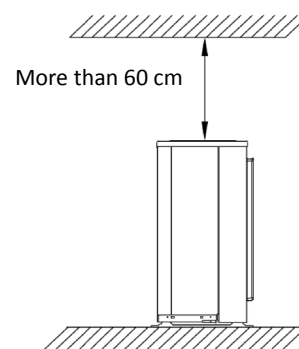
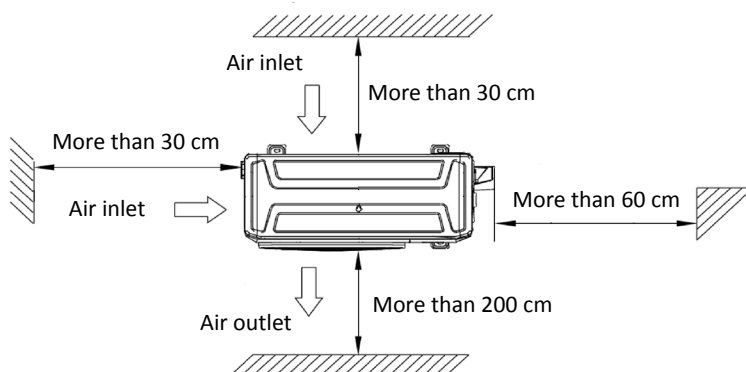
Model	KPA4-04B 840x840
	
Weight	6 kg

DIMENSIONS & WEIGHT OUTDOOR

Model	KUE-105 DTR13
Width	946 mm
Height	810 mm
Depth	410 mm
Weight	80,50 kg



INSTALLATION

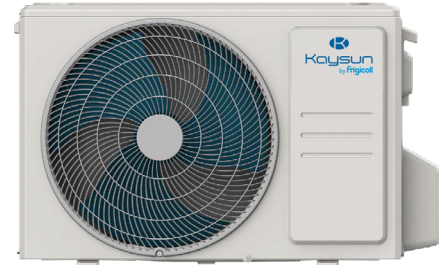


SuperSlim Cassette 840x840

PRODUCT SHEET



KID-05 S
Recommended controller



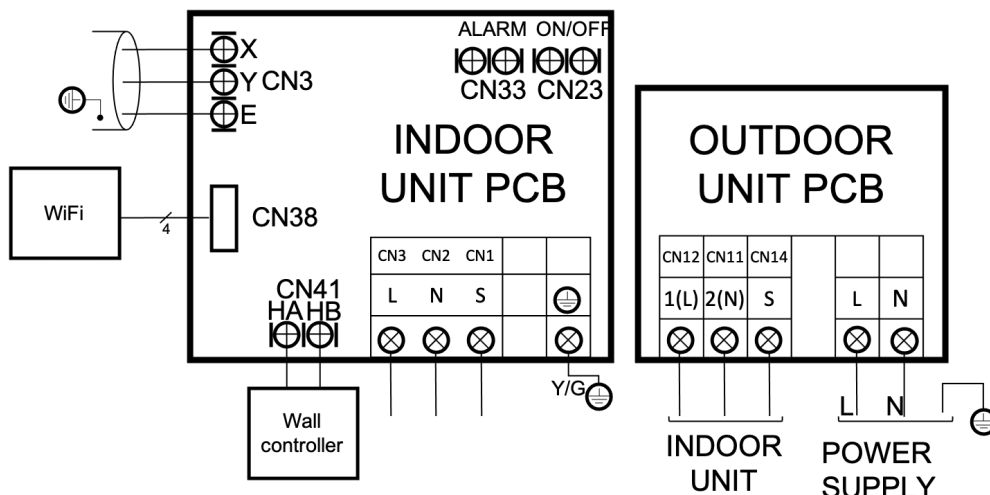
Product certified by:



FEATURES

Model	KCISA-125 DVR14
Cooling capacity	12,02 kW
Cooling power input	4.200 W
Heating capacity	13,48 kW
Heating power input	3.700 W
ErP Classification cold/heat	A++ / A+
Airflow (indoor)	1.600/1.750/1.900 m ³ /h
Sound pressure (indoor)	47,50/50/52,50 dB(A)
Airflow (outdoor)	4.000 m ³ /h
Sound pressure (outdoor)	63 dB(A)
Power supply	220-240 V / 1 / 50 Hz
Max. input	22,50 A
Power wiring (indoor)	With communication
Power wiring (outdoor)	(2+T)x4 mm ²
Communication wiring	(3+T)x1 mm ²

WIRING DIAGRAM



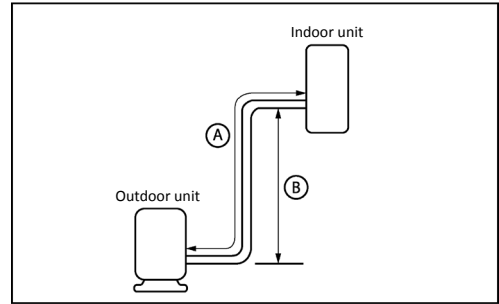
NOTES:

(1) The data and specifications present in this sheet may vary without notice.

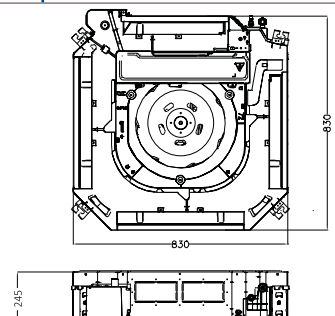
(2) The images on this sheet are indicative and may be different from the final machine.

COOLING CONNECTION

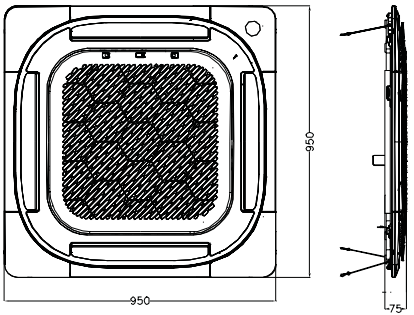
Model	KCISA-125 DVR14
Refrigerating pipes	Ø3/8" / Ø5/8"
Refrigerant charge / Additional charge	2,80 kg / 0,024 kg
Indoor drain pipe	Ø32
Max. pipe length (A)	75 m
Max. level difference (B)	30 m



DIMENSIONS & WEIGHT INDOOR

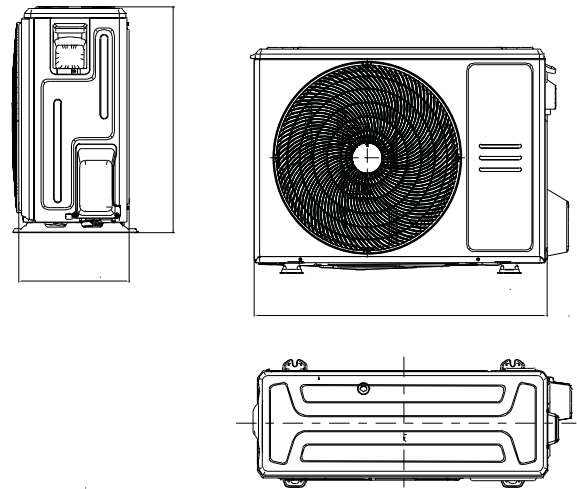
Model	KCIS-125 DR14
	
Weight	29,30 kg

DIMENSIONS & WEIGHT PANEL

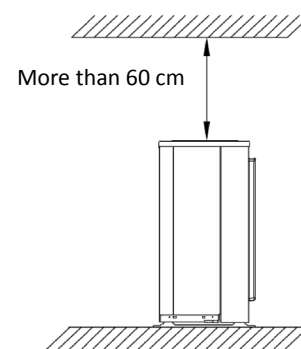
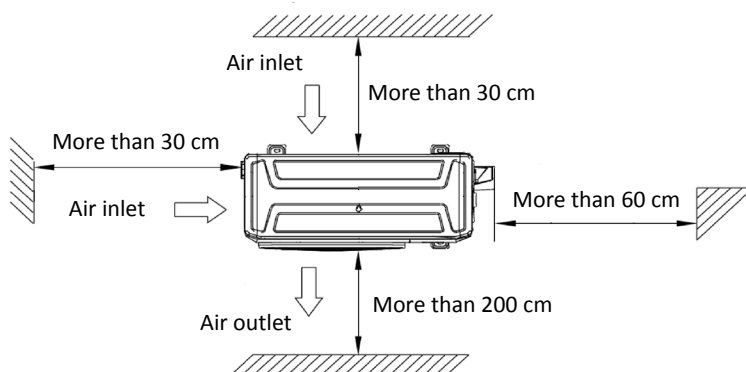
Model	KPA4-04B 840x840
	
Weight	6 kg

DIMENSIONS & WEIGHT OUTDOOR

Model	KUE-125 DVR13
Width	946 mm
Height	810 mm
Depth	410 mm
Weight	71 kg



INSTALLATION

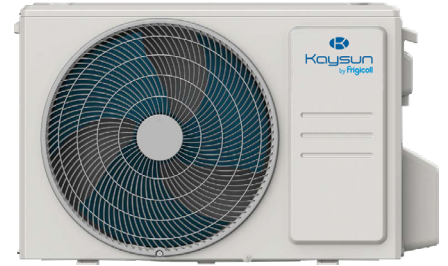


SuperSlim Cassette 840x840

PRODUCT SHEET



KID-05 S
Recommended controller



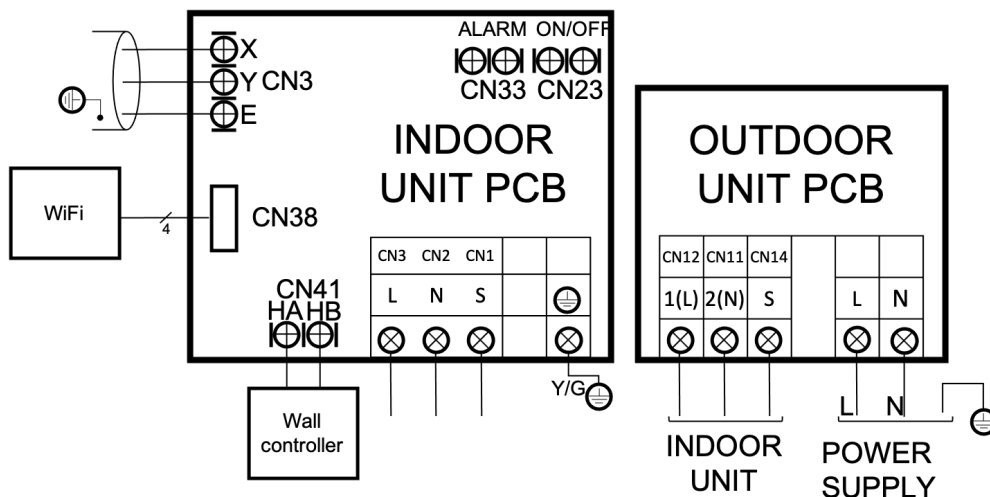
Product certified by:



FEATURES

Model	KCISA-140 DVR15
Cooling capacity	14,07 kW
Cooling power input	4.850 W
Heating capacity	16,12 kW
Heating power input	4.500 W
ErP Classification cold/heat	A++ / A+
Airflow (indoor)	1.600/1.750/1.900 m ³ /h
Sound pressure (indoor)	48/50,50/52,50 dB(A)
Airflow (outdoor)	7.500 m ³ /h
Sound pressure (outdoor)	64 dB(A)
Power supply	380-415 V / 3 / 50 Hz
Max. input	13 A
Power wiring (indoor)	With communication
Power wiring (outdoor)	(4+T)x2,50 mm ²
Communication wiring	(3+T)x1 mm ²

WIRING DIAGRAM



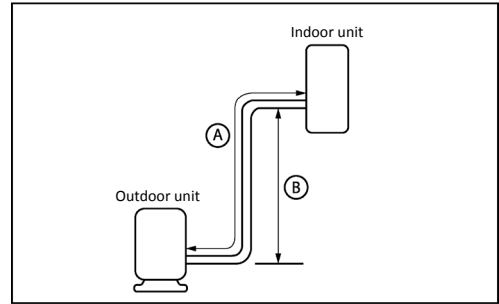
NOTES:

(1) The data and specifications present in this sheet may vary without notice.
(2) The images on this sheet are indicative and may be different from the final machine.

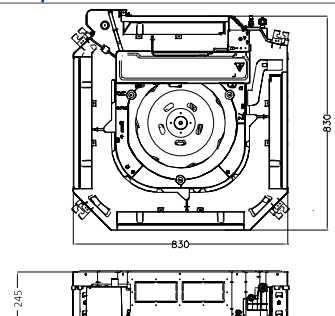
Edition 2024/04

COOLING CONNECTION

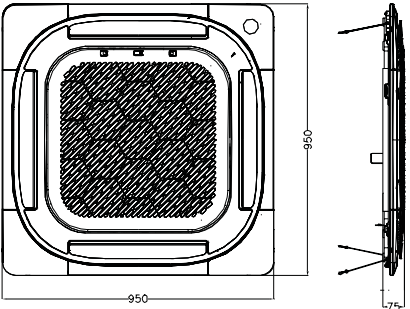
Model	KCISA-140 DTR15
Refrigerating pipes	Ø3/8" / Ø5/8"
Refrigerant charge / Additional charge	2,90 kg / 0,024 kg
Indoor drain pipe	Ø32
Max. pipe length (A)	75 m
Max. level difference (B)	30 m



DIMENSIONS & WEIGHT INDOOR

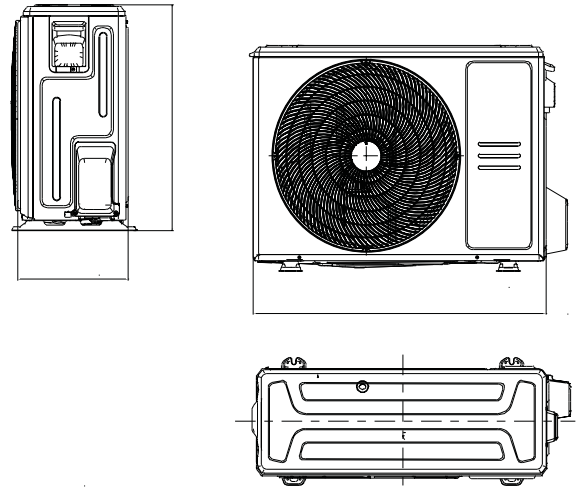
Model	KCIS-140 DR14
	
Weight	29,30 kg

DIMENSIONS & WEIGHT PANEL

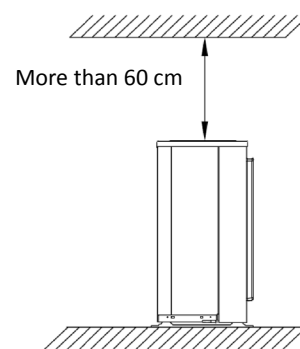
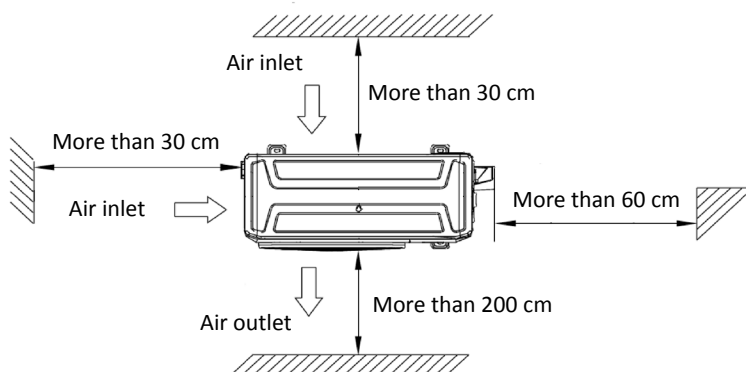
Model	KPA4-04B 840x840
	
Weight	6 kg

DIMENSIONS & WEIGHT OUTDOOR

Model	KUE-140 DVR14
Width	980 mm
Height	975 mm
Depth	375 mm
Weight	82,50 kg



INSTALLATION

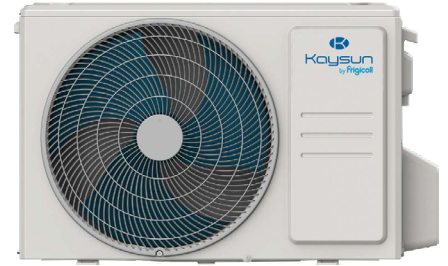


SuperSlim Cassette 840x840

PRODUCT SHEET



KID-05 S
Recommended controller



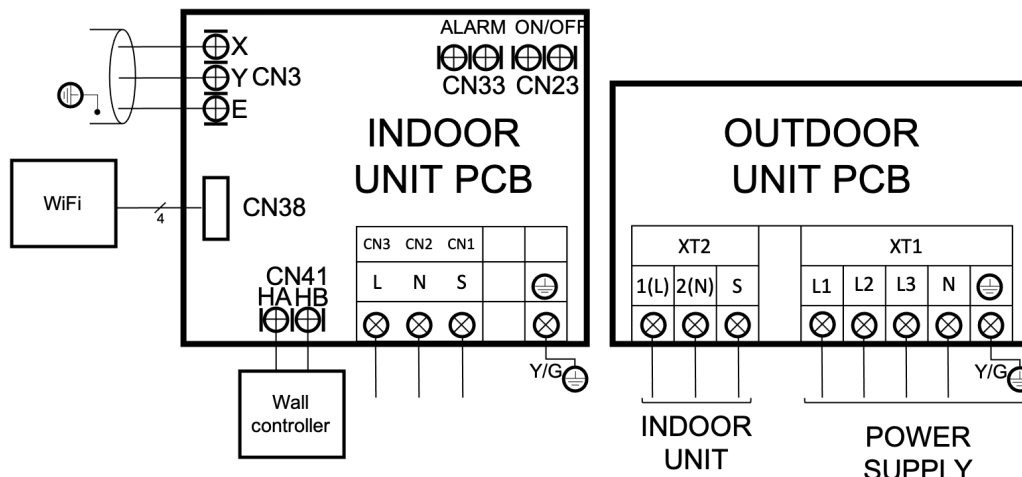
Product certified by:



FEATURES

Model	KCISA-140 DTR15
Cooling capacity	14,07 kW
Cooling power input	4.980 W
Heating capacity	16,12 kW
Heating power input	4.580 W
ErP Classification cold/heat	A++ / A+
Airflow (indoor)	1.600/1.750/1.900 m ³ /h
Sound pressure (indoor)	48/50,50/52,50 dB(A)
Airflow (outdoor)	7.500 m ³ /h
Sound pressure (outdoor)	64 dB(A)
Power supply	380-415 V / 3 / 50 Hz
Max. input	13 A
Power wiring (indoor)	With communication
Power wiring (outdoor)	(4+T)x2,50 mm ²
Communication wiring	(3+T)x1 mm ²

WIRING DIAGRAM

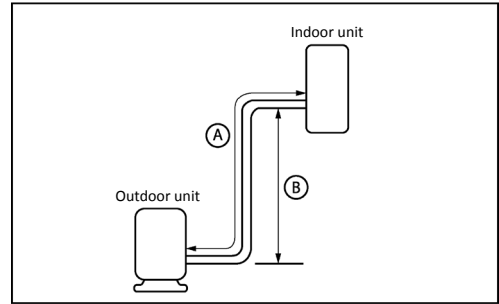


NOTES:

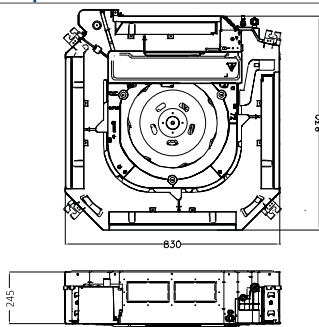
- (1) The data and specifications present in this sheet may vary without notice.
- (2) The images on this sheet are indicative and may be different from the final machine.

COOLING CONNECTION

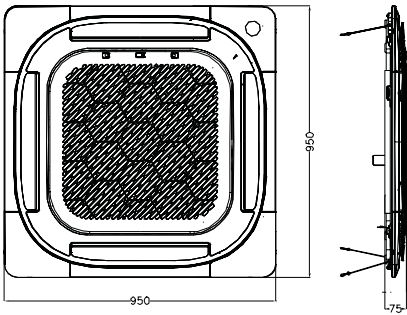
Model	KCISA-140 DTR15
Refrigerating pipes	Ø3/8" / Ø5/8"
Refrigerant charge / Additional charge	2,90 kg / 0,024 kg
Indoor drain pipe	Ø32
Max. pipe length (A)	75 m
Max. level difference (B)	30 m



DIMENSIONS & WEIGHT INDOOR

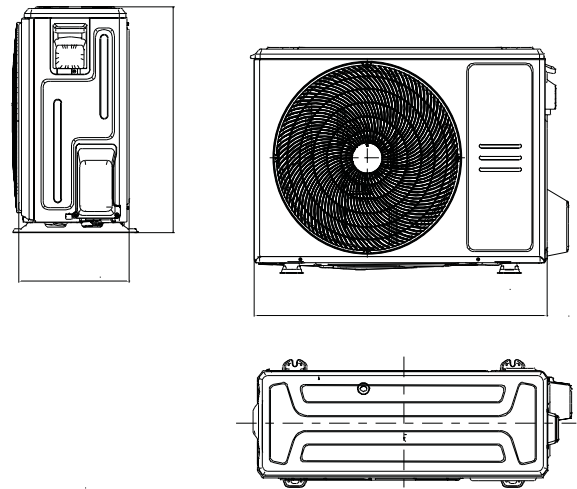
Model	KCIS-140 DR14
	
Weight	29,30 kg

DIMENSIONS & WEIGHT PANEL

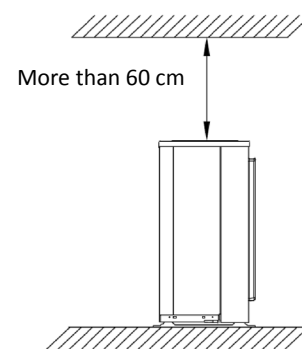
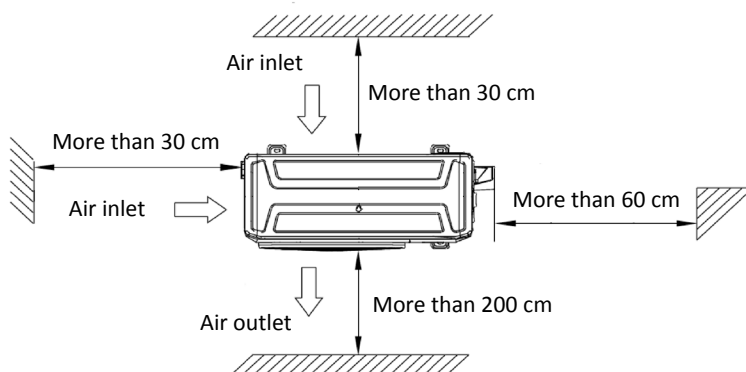
Model	KPA4-04B 840x840
	
Weight	6 kg

DIMENSIONS & WEIGHT OUTDOOR

Model	KUE-140 DTR14
Width	980 mm
Height	975 mm
Depth	375 mm
Weight	82,50 kg



INSTALLATION

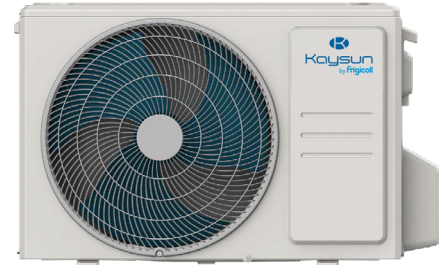


SuperSlim Cassette 840x840

PRODUCT SHEET



KID-05 S
Recommended controller



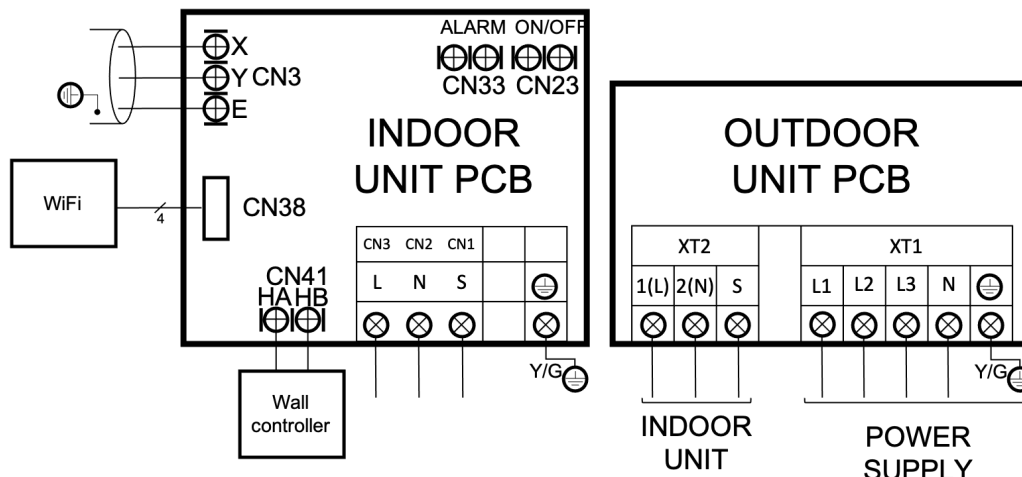
Product certified by:



FEATURES

Model	KCISA-160 DTR15
Cooling capacity	15,24 kW
Cooling power input	5.700 W
Heating capacity	18,17 kW
Heating power input	5.700 W
ErP Classification cold/heat	A++ / A+
Airflow (indoor)	1.650/1.850/2.000 m ³ /h
Sound pressure (indoor)	49,50/52/54,50 dB(A)
Airflow (outdoor)	7.500 m ³ /h
Sound pressure (outdoor)	65 dB(A)
Power supply	380-415 V / 3 / 50 Hz
Max. input	14 A
Power wiring (indoor)	With communication
Power wiring (outdoor)	(4+T)x2,50 mm ²
Communication wiring	(3+T)x1 mm ²

WIRING DIAGRAM

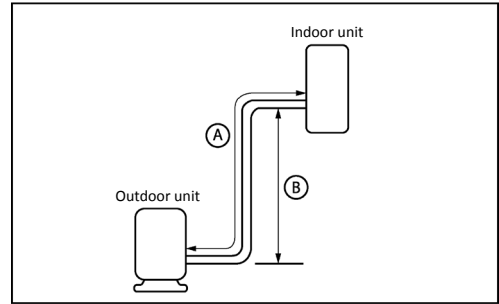


NOTES:

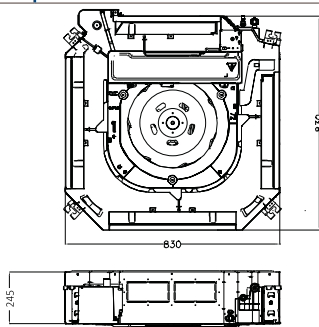
- (1) The data and specifications present in this sheet may vary without notice.
- (2) The images on this sheet are indicative and may be different from the final machine.

COOLING CONNECTION

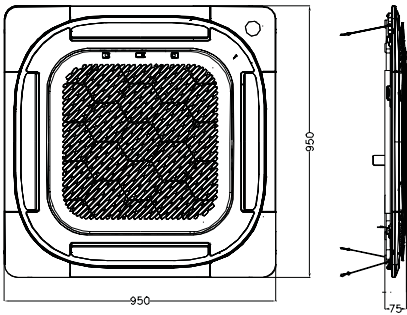
Model	KCISA-160 DTR15	
Refrigerating pipes	Ø3/8" / Ø5/8"	
Refrigerant charge / Additional charge	3 kg / 0,024 kg	
Indoor drain pipe	Ø32	
Max. pipe length (A)	75 m	
Max. level difference (B)	30 m	



DIMENSIONS & WEIGHT INDOOR

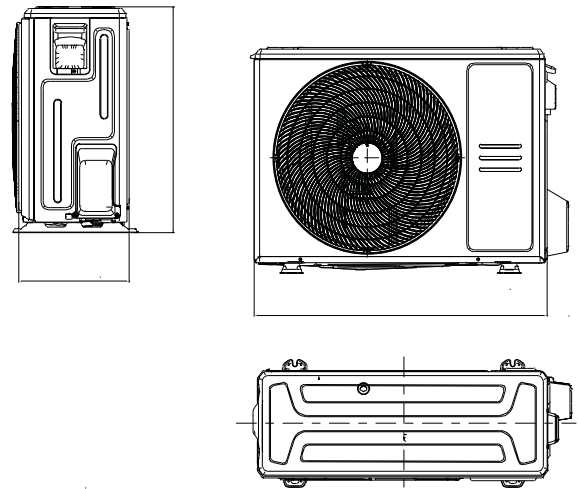
Model	KCIS-160 DR14
	
Weight	29,30 kg

DIMENSIONS & WEIGHT PANEL

Model	KPA4-04B 840x840
	
Weight	6 kg

DIMENSIONS & WEIGHT OUTDOOR

Model	KUE-160 DTR14
Width	980 mm
Height	975 mm
Depth	375 mm
Weight	92 kg



INSTALLATION

