



# Wall Hung Compak



## PRODUCT SHEET

Product certified by:  

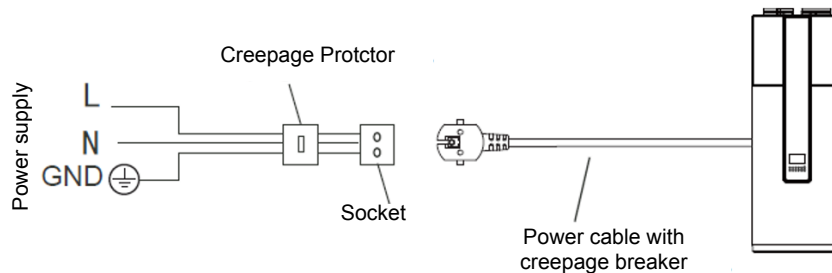


### FEATURES

Model	KHP-08/80 ACS1	KHP-09/100 ACS1	KHP-09/150 ACS1
Tank volume	78L	98L	145L
Heating capacity	0,95 kW	0,98 kW	1,30 kW
COP <sup>1</sup>	3,8	3,8	3,7
COP (EN16147) <sup>2</sup>	2,75	2,74	3,02
Heating-up time <sup>2</sup> (EN16147) h:min	4:02	5:14	6:10
Sound power level	54 dB(A)	54 dB(A)	56 dB(A)
Support resistance	1,5 kW	1,5 kW	1,5 kW
Power supply	220-240 V / 1 ph / 50 Hz		
Refrigerant	R-290		
Refrigerant charge	0,15 kg	0,15 kg	0,15 kg
Maximum discharge temperature	70 °C	70 °C	70 °C
Minimum volume without ducts	15 m <sup>3</sup>	15 m <sup>3</sup>	15 m <sup>3</sup>

1. Outdoor temperature 15/12°C (DB/WB), inlet water temperature 15°C, outlet water temperature 45°C.  
 2. Keymark certified values, warm weather conditions. For other conditions access Keymark certification.

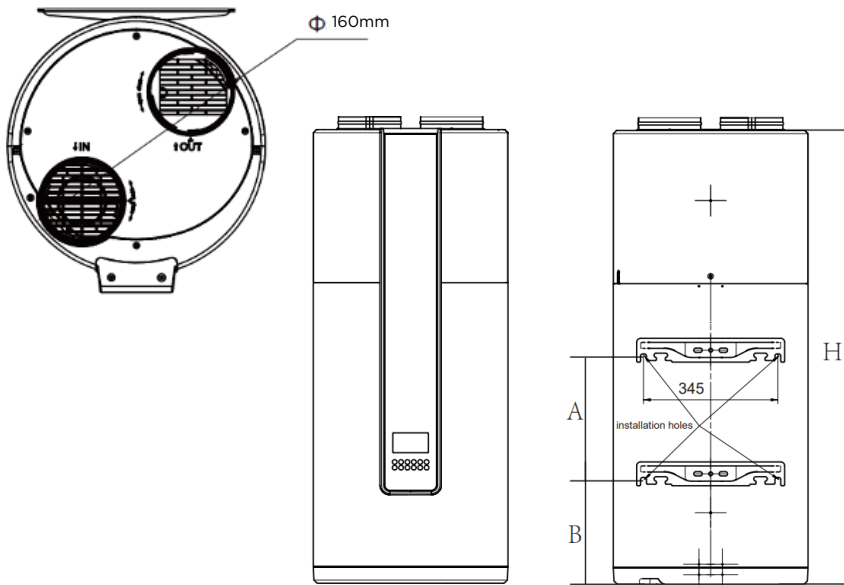
### WIRING DIAGRAM



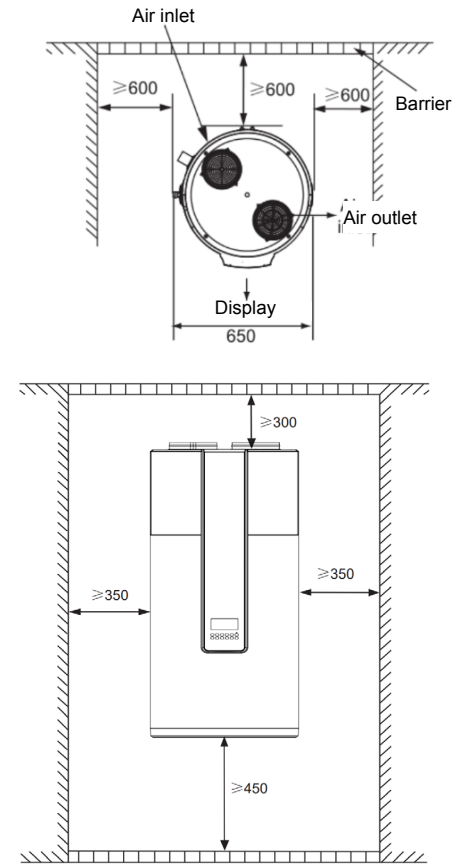
**NOTES:**

(1) The data and specifications present in this sheet may vary without notice.  
 (2) The images on this sheet are indicative and may be different from the final machine.

## DIMENSIONS OF UNIT & SPACE FOR INSTALLATION



Model	A	B	H
KHP-08/80 ACS1	317	270	1164
KHP-09/100 ACS1	415	277	1328
KHP-09/150 ACS1	558	475	1675



## HYDRAULIC INSTALLATION DIAGRAM

### LEGEND

- 1 - Shut-off valves
- 2 - Pressure Reducing Valve - **Recommended**
- 3 - Safety relief valve - **Mandatory**
- 4 - Dielectric sleeves - **Mandatory** (Not supplied)
- 5 - Anti-vibration mulle
- 6 - Expansion vessel - **Recommended**
- 7 - Mixing valve
- 8 - DHW consumption points

