



Kaysun  
by Frigicoll

# Compak Split

ES

FR

ENGLISH

LANGUAGES

## PRODUCT SHEET



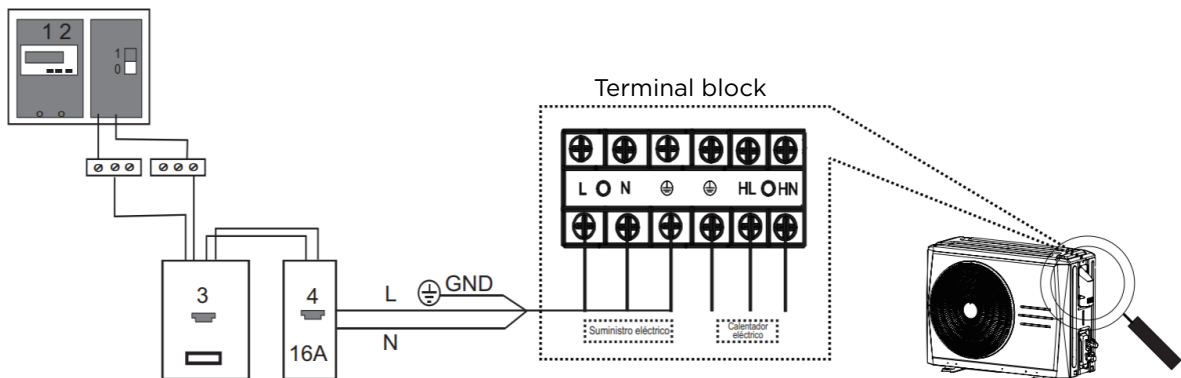
Product certified by:



### FEATURES

Model	Compak Split 200
COP <sup>1</sup>	3,8
Recovery time <sup>1</sup>	4h 17 min
Tank volume	200L
Support resistance	2 kW
Tank	Enameled steel
Corrosion protection	Magnesium anode
Communication wiring	(3+T)x1 mm
Refrigeration piping	Ø1/4" / Ø3/8"
Hydraulic connections	Ø1/2" (DN15)
Drain connections	Ø1/2" (DN15)
Water outlet temperature range	38°C - 70°C (up to +70°C during disinfection with electrical resistance)

### WIRING DIAGRAM



1. Electric meter
2. Global overcurrent and leakage circuit breaker
3. Electrical leakage circuit breaker
- t4. Overcurrent circuit breaker

NOTES:  
(1) The data and specifications present in this sheet may vary without notice.  
(2) The images on this sheet are indicative and may be different from the final machine.

## REFRIGERATING PIPING

Model	Compak Split 200
Diam. liquid / gas pipes	Ø1/4" / Ø3/8"
Max. length for all rooms	20 m
Max. height difference between indoor and outdoor unit	10 m

## DIMENSIONS & WEIGHT INDOOR

Model	KHP-26 ACS1
Width	505 mm
Height	1665 mm
Depth	505 mm
Weight	74 kg

## DIMENSIONS & WEIGHT OUTDOOR

Model	KT-200
Width	804 mm
Height	555 mm
Depth	327 mm
Weight	29 kg