

Double Flow Console Multisystem

PRODUCT SHEET



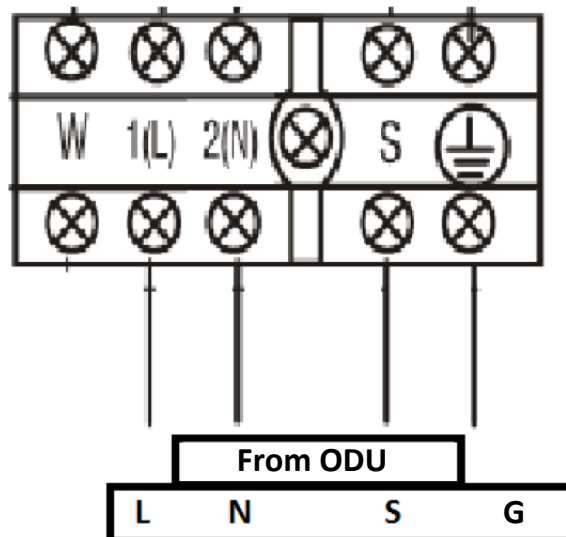
KID-06 S
Standard controller



FEATURES

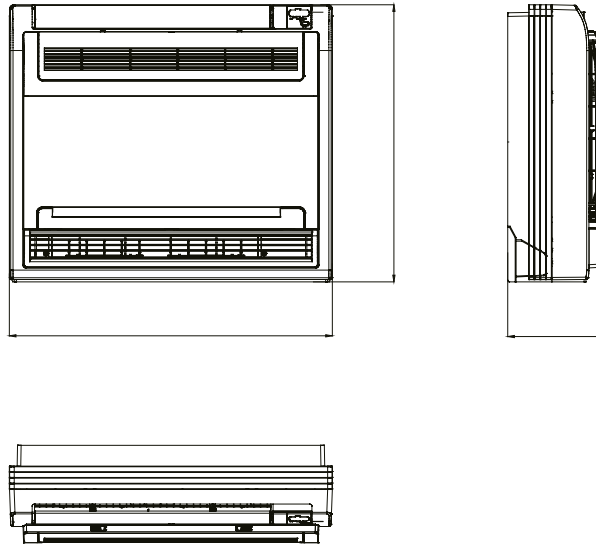
| Model | KSD-26 DR14-2 | KSD-35 DR14-2 | KSD-52 DR14-2 |
|----------------------|-------------------------------|-------------------------------|-------------------------------|
| Cooling capacity | 2,60 kW | 3,52 kW | 5 kW |
| Heating capacity | 2,90 kW | 3,81 kW | 5,28 kW |
| Airflow | 400/510/600 m ³ /h | 490/580/650 m ³ /h | 600/690/780 m ³ /h |
| Sound pressure | 27/34/36 dB(A) | 27/34/37 dB(A) | 32/38/41 dB(A) |
| Power supply | 220-240 V / 1 / 50 Hz | | |
| Communication wiring | (3+T)x2,50 mm ² | (3+T)x2,50 mm ² | (3+T)x2,50 mm ² |
| Refrigerating pipes | Ø1/4" / Ø3/8" | Ø1/4" / Ø3/8" | Ø1/4" / Ø1/2" |

WIRING DIAGRAM



DIMENSIONS & WEIGHT OF INDOOR UNIT

| Model | Weight | Width | Height | Depth |
|---------------|--------|--------|--------|--------|
| KSD-26 DR14-2 | 14.9kg | 794 mm | 621 mm | 200 mm |
| KSD-35 DR14-2 | 14.9kg | 794 mm | 621 mm | 200 mm |
| KSD-52 DR14-2 | 14.9kg | 794 mm | 621 mm | 200 mm |



INSTALLATION

