

Prodigy PRO LT

PRODUCT SHEET



KID-06 S
Standard controller



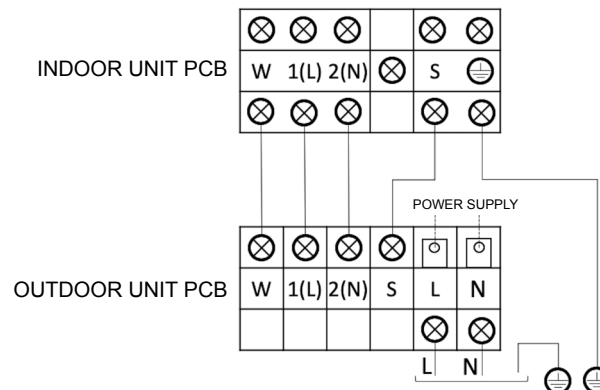
Product certified by:



FEATURES

Model	AKAY-P 26 DR10 LT	AKAY-P 35 DR10 LT
Cooling capacity	2,73 kW	3,52 kW
Cooling power input	619 W	925 W
Heating capacity	3,96 kW	4,55 kW
Heating power input	681 W	990 W
ErP Classification cold/heat	A+++ / A++	A+++ / A++
Airflow (indoor)	530 / 360 / 280 m ³ /h	560 / 380 / 290 m ³ /h
Sound pressure (indoor)	40 / 32 / 21.5 dB(A)	41 / 34 / 22 dB(A)
Airflow (outdoor)	2.150 m ³ /h	2.200 m ³ /h
Sound pressure (outdoor)	55 dB(A)	55 dB(A)
Power supply	220-240 V / 1 / 50 Hz	
Power wiring (outdoor)	(2+T) x 1,50 mm ²	(2+T) x 1,50 mm ²
Communication wiring	(4+T) x 1,50 mm ²	(4+T) x 1,50 mm ²
Refrigerating pipes	Ø1/4" / Ø3/8"	Ø1/4" / Ø3/8"
Refrigerant charge / Additional charge	0.62 kg / 0,012 kg/m	0.62 kg / 0,012 kg/m
Max. pipe length	25 m	25 m
Max. level difference	10 m	10 m

WIRING DIAGRAM



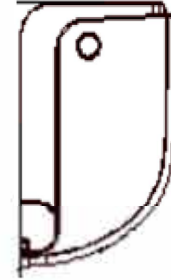
NOTES:

(1) The data and specifications present in this sheet may vary without notice.

(2) The images on this sheet are indicative and may be different from the final machine.

DIMENSIONS & WEIGHT OF INDOOR UNIT

Model	Weight	A	B	C
KAY-P 26 DR12	10,2 kg	857 mm	231 mm	300 mm
KAY-P 35 DR12	10,2 kg	857 mm	231 mm	300 mm



DIMENSIONS & WEIGHT OF OUTDOOR UNIT

Model	Weight	Width	Height	Depth
KAE-P 26 DR9 LT	26,40 kg	765 mm	555 mm	303 mm
KAE-P 35 DR9 LT	26,40 kg	765 mm	555 mm	303 mm

