

Casual

PRODUCT SHEET



KID-05.3 S
Standard controller



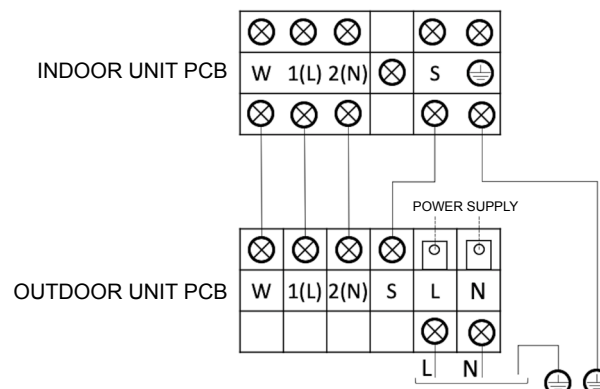
Product certified by:



FEATURES

Model	AKAY-C 26 DR12	AKAY-C 35 DR12	AKAY-C 52 DR12	AKAY-C 71 DR12
Cooling capacity	2,64 kW	3,52 kW	5,28 kW	7,03 kW
Cooling power input	800 W	1.210 W	1.550 W	2.600 W
Heating capacity	2,93 kW	3,81 kW	5,57 kW	7,33 kW
Heating power input	1.200 W	1.680 W	2.350 W	2.750 W
ErP Classification cold/heat	A++ / A+	A++ / A+	A++ / A+	A++ / A+
Airflow (indoor)	259 / 333 / 434 m ³ /h	325 / 430 / 540 m ³ /h	540 / 680 / 840 m ³ /h	540 / 680 / 840 m ³ /h
Sound pressure (indoor)	25 dB(A)	25 dB(A)	26 dB(A)	36 dB(A)
Airflow (outdoor)	1.750 m ³ /h	1.800 m ³ /h	2.100 m ³ /h	3.500 m ³ /h
Sound pressure (outdoor)	56 dB(A)	56 dB(A)	56 dB(A)	59 dB(A)
Power supply	220-240 V / 1 / 50			
Power wiring (outdoor)	(2+T)x1,50 mm ²	(2+T)x1,50 mm ²	(2+T)x1,50 mm ²	(2+T)x2,50 mm ²
Communication wiring	(4+T)x1,50 mm ²	(4+T)x1,50 mm ²	(4+T)x1,50 mm ²	(4+T)x2,50 mm ²
Refrigerating pipes	Ø1/4" / Ø3/8"	Ø1/4" / Ø3/8"	Ø1/4" / Ø1/2"	Ø3/8" / Ø5/8"
Refrigerant charge / Additional charge	0,55 kg / 0,012 kg	0,55 kg / 0,012 kg	1,08 kg / 0,012 kg	1,42 kg / 0,024 kg
Max. pipe length	25 m	25 m	30 m	50 m
Max. level difference	10 m	10 m	20 m	25 m

WIRING DIAGRAM

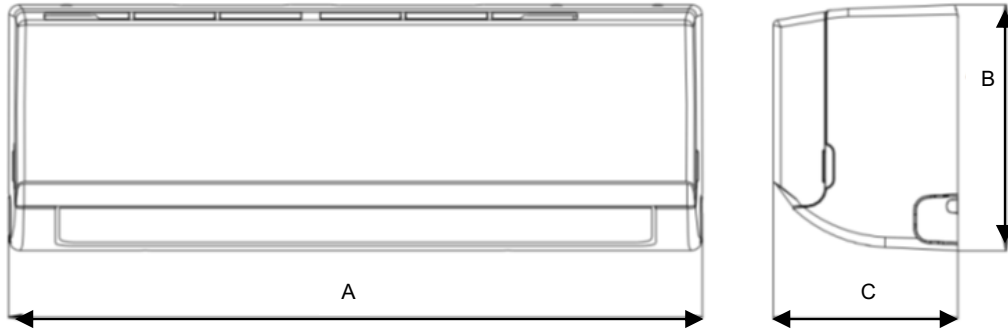


NOTES:

- (1) The data and specifications present in this sheet may vary without notice.
 (2) The images on this sheet are indicative and may be different from the final machine.

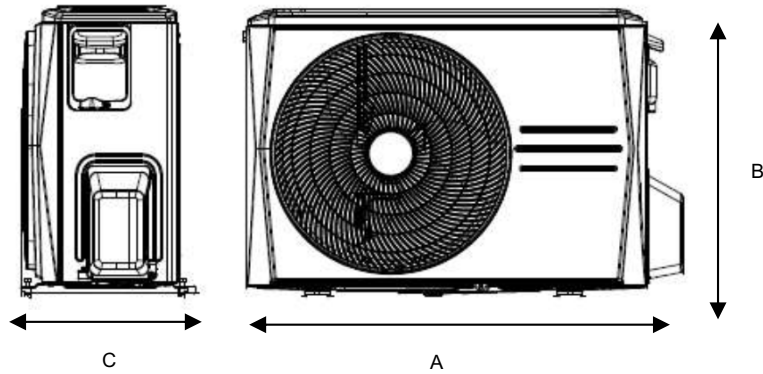
DIMENSIONS & WEIGHT OF INDOOR UNIT

Model	Weight	A	B	C
KAY-CF 26 DR12	7 kg	715 mm	285 mm	194 mm
KAY-CF 35 DR12	7,60 kg	805 mm	285 mm	194 mm
KAY-CF 52 DR12	10 kg	957 mm	302 mm	213 mm
KAY-CF 71 DR12	12,30 kg	1.040 mm	327 mm	220 mm



DIMENSIONS & WEIGHT OF OUTDOOR UNIT

Model	Weight	A	B	C
KAE-C 26 DR11	23,20 kg	720 mm	495 mm	270 mm
KAE-C 35 DR11	23,20 kg	720 mm	495 mm	270 mm
KAE-C 52 DR11	32,70 kg	805 mm	554 mm	330 mm
KAE-C 71 DR11	42,90 kg	890 mm	673 mm	342 mm



INSTALLATION

