

ORIGINAL  
MANUAL

# frigicoll

## INSTALLATION AND OWNER'S MANUAL

---

### High Static Pressure Duct

MIH200T1N18 (KPDUF-200 DN5.0)  
MIH252T1N18 (KPDUF-252 DN5.0)  
MIH280T1N18 (KPDUF-280 DN5.0)  
MIH400T1N18 (KPDUF-400 DN5.0)  
MIH450T1N18 (KPDUF-450 DN5.0)  
MIH560T1N18 (KPDUF-560 DN5.0)



Read this manual carefully before using the product, and keep it for future reference.

All the pictures in this manual are for illustration purpose only.



# Contents

<b>About the Documentation</b>	<b>1</b>
About This Document / 1	Safety Instructions / 2
<b>Safety Warning</b>	<b>3</b>
Safety Precautions / 3	Electric Safety Requirements / 4
About the Refrigerant / 5	
<b>Operation</b>	<b>8</b>
Operation Precautions / 8	Optimum Operation / 9
Symptoms That Are Not Faults / 11	Display Box (Optional) / 13
Disposal / 13	
<b>Installation</b>	<b>14</b>
Installation Precautions / 14	Installation Materials / 21
Preparations Before Installation / 23	Indoor Unit Installation / 25
Refrigerant Connecting Piping Installation / 28	Drain Pipe Installation / 34
Air Duct Installation / 38	Electrical Connection / 41
Error Codes / 57	Settings / 62
Test Run / 66	
<b>Maintenance and Service</b>	<b>68</b>
Safety Warning / 68	Cleaning / 68
Maintenance of Conventional Parts / 72	

# About the Documentation

## 1 About This Document

### Note

**Make sure that the user has the printed documentation and ask him/her to keep it for future reference.**

### Target audience

Authorised installers + end users

### Note

**This appliance is intended to be used by expert or trained users in shops, in light industry, and on farms, or for commercial and household use by lay persons.**

### Warning

**Please thoroughly read and ensure that you fully understand the safety precautions (including the signs and symbols) in this manual, and follow relevant instructions during use to prevent damage to health or property.**

### Documentation set

This document is part of a documentation set. The complete set consists of:

- General safety precautions:
  - Safety instructions that you must read before installing
- Indoor unit installation and operation manual:
  - Installation and operation instructions
- Repeater installation and operation manual:
  - Installation and operation instructions
- Controller installation and operation manual:
  - Installation and operation instructions

Please refer to the product manual for other accessories.

### Technical engineering data

Latest revisions of the supplied documentation may be available via your dealer.





The original documentation is written in English. All other languages are translations.




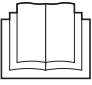


# 2 Safety Instructions

Please thoroughly read and ensure that you fully understand the safety precautions (including the signs and symbols) in this manual, and follow relevant instructions during use to prevent damage to health or property.

## Safety Signs

-  **Danger** Indicates a hazard with a high level of risk which, if not avoided, will result in serious injury.
-  **Warning** Indicates a hazard with a medium level of risk which, if not avoided, could result in serious injury.
-  **Caution** Indicates a hazard with a low level of risk which, if not avoided, could result in minor or moderate injury.
-  **Note** Useful operation and maintenance information.

## Explanation of Symbols Displayed on the Unit

	WARNING	This symbol shows that this appliance used a flammable refrigerant. If the refrigerant is leaked and exposed to an external ignition source, there is a risk of fire.
	CAUTION	This symbol shows that the operation manual should be read carefully.
	CAUTION	This symbol shows that a service personnel should be handling this equipment with reference to the installation manual.
	CAUTION	This symbol shows that information is available such as the operating manual or installation manual.



**WARNING: Risk of fire**

(for IEC 60335-2-40: 2018 only)



**WARNING: Risk of fire**

(for IEC/EN 60335-2-40 except IEC 60335-2-40: 2018)

### Note

The symbols above are for R32 refrigerant system.

# Safety Warning

## Warning



Ensure Proper Earthing



Professional Only

## Prohibition signs



No Laying Inflammable Thing



No Strong Currents



No Open Flame; Fire, Open Ignition Source and Smoking Prohibited

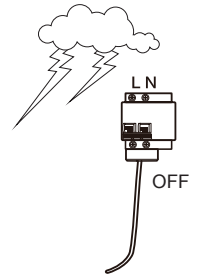


No Acid or Alkali Materials

# 1 Safety Precautions

## Danger

In the event of refrigerant leakage, smoking and open flames are prohibited. Disconnect the main power switch immediately, open windows to allow ventilation, keep away from the leakage point, and contact your local dealer or technical support to request a professional repair.



## Warning

Air conditioner installation must comply with local standards and electrical codes, and relevant instructions in this manual.

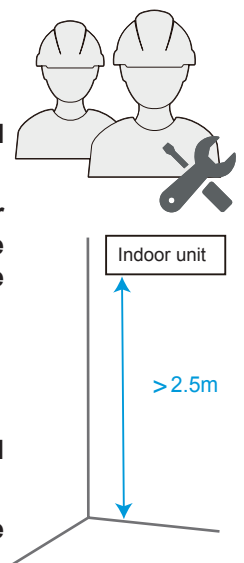
Do not use any liquid cleanser, liquefied cleanser, or corrosive cleanser to wipe this unit or spray water or other liquids on the unit. Otherwise, the plastic parts of the unit will become damaged and an electrical shock may occur. Disconnect the main power switch before cleaning and maintenance to avoid accidents.

Ask a professional to remove and reinstall the air conditioner.

Ask a professional for maintenance and repair assistance.

This air conditioner is classified as an “appliance which is not accessible to the general public”.

The indoor unit shall be placed at a height not accessible to children, at least 2.5m above the ground.



## Caution

This appliance can be used by children aged from 8 years and above and persons with reduced physical, sensory or mental capabilities or lack of experience and knowledge if they have been given supervision or instruction concerning use of the appliance in a safe way and understand the hazards involved.

Children shall not play with the appliance.

Cleaning and user maintenance shall not be made by children without supervision.

This appliance is intended to be used by expert or trained users in shops, in light industry and on farms, or for commercial use by lay persons.

When the product is used for commercial application. This appliance is intended to be used by expert or trained users in shops, in light industry and on farms, or for commercial use by lay persons.

The sound pressure level is below 70 dB(A).

## 2 Electric Safety Requirements

### Warning

The air conditioner shall be installed according to the local wiring specifications.

Wiring work must be completed by qualified electricians.

The air conditioner must be well earthed. Specifically, the main switch of the air conditioner must have a reliable earthing cable.

Before contacting wiring devices, cut off all the power supplies.

The user **MAY NOT** disassemble or repair the air conditioner. Doing so can be dangerous. In the event of a fault, immediately cut off the power and contact your local dealer or technical support.

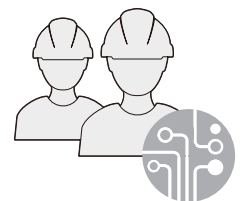
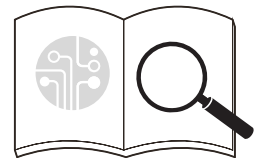
A separate power supply that meets the rated parameter values must be provided for the air conditioner.

The fixed wiring to which the air conditioner is connected must be equipped with a power cut-off device that meets the wiring requirements.

The air conditioner's circuit board (PCB) is designed with a fuse to provide overcurrent protection.

The specifications of the fuse are printed on the circuit board.

*NOTE: For the units with R32 refrigerant, only the blast-proof ceramic fuse can be used.*



### Caution

Under no circumstances should the earth wires of the power supply system be disconnected.

Do not use a damaged power supply cable and replace it if it is damaged.

When the air conditioner is used for the first time or is in a power-off state for a long time, it needs to be connected to the power supply and warmed up for at least 12 hours before use.



# 3 About the Refrigerant

## Warning

The following applies to R32 refrigerant systems.

Prior to beginning work on systems containing flammable refrigerants, safety checks are necessary to ensure that the risk of ignition is minimized.

For repair to the refrigerating system, the following precautions shall be complied with prior to conducting work on the system.

Work shall be undertaken under a controlled procedure so as to minimise the risk of a flammable gas or vapour being present while the work is being performed.

All maintenance staff and others working in the local area shall be instructed on the nature of work being carried out. Work in confined spaces shall be avoided. The area around the workspace shall be sectioned off. Ensure that the conditions within the area have been made safe by control of flammable material.

The area shall be checked with an appropriate refrigerant detector prior to and during work, to ensure the technician is aware of potentially flammable atmospheres.

Ensure that the leak detection equipment being used is suitable for use with flammable refrigerants, i.e. non-sparking, adequately sealed or intrinsically safe.

If any hot work is to be conducted on the refrigeration equipment or any associated parts, appropriate fire extinguishing equipment shall be available to hand. Have a dry powder or CO2 fire extinguisher adjacent to the charging area.

No person carrying out work in relation to a refrigeration system which involves exposing any pipe work that contains or has contained flammable refrigerant shall use any sources of ignition in such a manner that it may lead to the risk of fire or explosion.

All possible ignition sources, including cigarette smoking, should be kept sufficiently far away from the site of installation, repairing, removing and disposal, during which flammable refrigerant can possibly be released to the surrounding space.

Prior to work taking place, the area around the equipment is to be surveyed to make sure that there are no flammable hazards or ignition risks. "No Smoking" signs shall be displayed.

Ensure that the area is in the open or that it is adequately ventilated before breaking into the system or conducting any hot work. A degree of ventilation shall continue during the period that the work is carried out. The ventilation should safely disperse any released refrigerant and preferably expel it externally into the atmosphere.

Where electrical components are being changed, they shall be fit for the purpose and to the correct specification. At all times the manufacturer's maintenance and service guidelines shall be followed. If in doubt consult the manufacturer's technical department for assistance.

**The following checks shall be applied to installations using flammable refrigerants:**

- the charge size is in accordance with the room size within which the refrigerant containing parts are installed;
- the ventilation machinery and outlets are operating adequately and are not obstructed;
- if an indirect refrigerating circuit is being used, the secondary circuit shall be checked for the presence of refrigerant;
- marking to the equipment continues to be visible and legible. Markings and signs that are illegible shall be corrected;
- refrigeration pipe or components are installed in a position where they are unlikely to be exposed to any substance which may corrode refrigerant containing components, unless the components are constructed of materials which are inherently resistant to being corroded or are suitably protected against being so corroded.

**Repair and maintenance to electrical components shall include initial safety checks and component inspection procedures.**

**If a fault exists that could compromise safety, then no electrical supply shall be connected to the circuit until it is satisfactorily dealt with. If the fault cannot be corrected immediately but it is necessary to continue operation, an adequate temporary solution shall be used. This shall be reported to the owner of the equipment so all parties are advised.**

**Initial safety checks shall include:**

- that capacitors are discharged: this shall be done in a safe manner to avoid possibility of sparking;
- that no live electrical components and wiring are exposed while charging, recovering or purging the system;
- that there is continuity of earth bonding.

During repairs to sealed components, all electrical supplies shall be disconnected from the equipment being worked upon prior to any removal of sealed covers, etc. If it is absolutely necessary to have an electrical supply to equipment during servicing, then a permanently operating form of leak detection shall be located at the most critical point to warn of a potentially hazardous situation.

Particular attention shall be paid to the following to ensure that by working on electrical components, the casing is not altered in such a way that the level of protection is affected. This shall include damage to cables, excessive number of connections, terminals not made to original specification, damage to seals, incorrect fitting of glands, etc.

Ensure that seals or sealing materials have not degraded such that they no longer serve the purpose of preventing the ingress of flammable atmospheres.

Replacement parts shall be in accordance with the manufacturer's specifications.

Do not apply any permanent inductive or capacitance loads to the circuit without ensuring that this will not exceed the permissible voltage and current permitted for the equipment in use.

Intrinsically safe components are the only types that can be worked on while live in the presence of a flammable atmosphere. The test apparatus shall be at the correct rating.

Replace components only with parts specified by the manufacturer. Other parts may result in the ignition of refrigerant in the atmosphere from a leak.

Check that cabling will not be subject to wear, corrosion, excessive pressure, vibration, sharp edges or any other adverse environmental effects. The check shall also take into account the effects of ageing or continual vibration from sources such as compressors or fans.

When breaking into the refrigerant circuit to make repairs – or for any other purpose – conventional procedures shall be used. However, it is important that best practice is followed.

Since flammability is a consideration. The following procedure shall be adhered to:

- remove refrigerant;
- purge the circuit with inert gas;
- evacuate;
- purge again with inert gas;
- open the circuit by cutting or brazing.

The refrigerant charge shall be recovered into the correct recovery cylinders. The system shall be “flushed” with OFN to render the unit safe. This process may need to be repeated several times. Compressed air or oxygen shall not be used for this task.

Flushing shall be achieved by breaking the vacuum in the system with OFN and continuing to fill until the working pressure is achieved, then venting to atmosphere, and finally pulling down to a vacuum.

This process shall be repeated until no refrigerant is within the system. When the final OFN charge is used, the system shall be vented down to atmospheric pressure to enable work to take place.

This operation is absolutely vital if brazing operations on the pipe-work are to take place.

Ensure that the outlet for the vacuum pump is not close to any ignition sources and there is ventilation available.

Ensure that contamination of different refrigerants does not occur when using charging equipment. Hoses or lines shall be as short as possible to minimise the amount of refrigerant contained in them.

Prior to recharging the system it shall be pressure tested with OFN.

#### **DD.12 Decommissioning:**

Before carrying out this procedure, it is essential that the technician is completely familiar with the equipment and all its detail. It is recommended good practice that all refrigerants are recovered safely. Prior to the task being carried out, an oil and refrigerant sample shall be taken in case analysis is required prior to re-use of reclaimed refrigerant. It is essential that electrical power is available before the task is commenced.

- a) Become familiar with the equipment and its operation.
- b) Isolate system electrically.
- c) Before attempting the procedure ensure that:
  - *mechanical handling equipment is available, if required, for handling refrigerant cylinders;*
  - *all personal protective equipment is available and being used correctly;*
  - *the recovery process is supervised at all times by a competent person;*
  - *recovery equipment and cylinders conform to the appropriate standards.*
- d) Pump down refrigerant system, if possible.
- e) If a vacuum is not possible, make a manifold so that refrigerant can be removed from various parts of the system.
- f) Make sure that cylinder is situated on the scales before recovery takes place.
- g) Start the recovery machine and operate in accordance with manufacturer's instructions.
- h) Do not overfill cylinders. (No more than 80 % volume liquid charge).

- i) Do not exceed the maximum working pressure of the cylinder, even temporarily.
- j) When the cylinders have been filled correctly and the process completed, make sure that the cylinders and the equipment are removed from site promptly and all isolation valves on the equipment are closed off.
- k) Recovered refrigerant shall not be charged into another refrigeration system unless it has been cleaned and checked.

**Equipment shall be labelled stating that it has been de-commissioned and emptied of refrigerant. The label shall be dated and signed. Ensure that there are labels on the equipment stating the equipment contains flammable refrigerant.**

**When removing refrigerant from a system, either for servicing or decommissioning, it is recommended good practice that all refrigerants are removed safely.**

**When transferring refrigerant into cylinders, ensure that only appropriate refrigerant recovery cylinders are employed. Ensure that the correct number of cylinders for holding the total system charge are available. All cylinders to be used are designated for the recovered refrigerant and labelled for that refrigerant (i.e. special cylinders for the recovery of refrigerant). Cylinders shall be complete with pressure relief valve and associated shut-off valves in good working order. Empty recovery cylinders are evacuated and, if possible, cooled before recovery occurs.**

**The recovery equipment shall be in good working order with a set of instructions concerning the equipment that is at hand and shall be suitable for the recovery of flammable refrigerants. In addition, a set of calibrated weighing scales shall be available and in good working order. Hoses shall be complete with leak-free disconnect couplings and in good condition. Before using the recovery machine, check that it is in satisfactory working order, has been properly maintained and that any associated electrical components are sealed to prevent ignition in the event of a refrigerant release. Consult manufacturer if in doubt.**

**The recovered refrigerant shall be returned to the refrigerant supplier in the correct recovery cylinder, and the relevant Waste Transfer Note arranged. Do not mix refrigerants in recovery units and especially not in cylinders.**

**If compressors or compressor oils are to be removed, ensure that they have been evacuated to an acceptable level to make certain that flammable refrigerant does not remain within the lubricant. The evacuation process shall be carried out prior to returning the compressor to the suppliers. Only electric heating to the compressor body shall be employed to accelerate this process. When oil is drained from a system, it shall be carried out safely.**

**Warning: disconnect the appliance from its power source during service and when replacing parts.**

**These units are partial unit air conditioners, complying with partial unit requirements of this International Standard, and must only be connected to other units that have been confirmed as complying to corresponding partial unit requirements of this International Standard.**

# Operation

## 1 Operation Precautions

### Warning

If the unit will be not used for a long time, disconnect the main power switch. Otherwise, an accident may occur.

The installation height of the air conditioner shall be at least 2.5m above the ground to avoid the following risks:

1. *Touching of moving or live parts, such as fans, motors, or louvers, by a non professional. Running parts may cause harm to you or transmission assemblies may become damaged.*
2. *Getting too close to the air conditioner may reduce the level of comfort.*

Do not let children play with the air conditioner. Otherwise, an accident may occur.

Do not expose the indoor units or controller to moisture or water as this may cause short circuiting or fire.

Do not place any appliance that uses an open flame in the direct air supply of the air conditioner as it could interfere with the combustion of the appliance.

Do not use or store flammable gases or liquids such as natural gas, hair spray, paint or gasoline near the air conditioner. Otherwise, a fire may occur.

To avoid causing harm, do not place animals or plants directly in front of the air conditioner's air supply.

In the event of abnormal conditions such as abnormal noise, smell, smoke, temperature rise, and electric leakage, please cut off the power immediately, and then contact your local dealer or air conditioner customer service center. Do not repair the air conditioner by yourself.

Do not place flammable sprayers near the air conditioner or spray it directly at the air conditioner. Otherwise, a fire may occur.

Do not place a container of water on the air conditioner. If immersed in water, the air conditioner's electrical insulation will weaken, resulting in electrical shock.

After long-term use, confirm whether the installation platform has become worn. If it is worn, the unit could fall, causing injury.

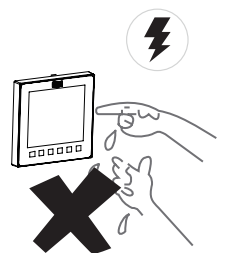
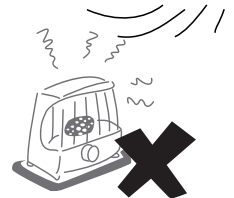
Do not operate the switch with wet hands, as this may result in electric shock.

When servicing the air conditioner, be sure to turn off the air conditioner and cut off the power supply. Otherwise, the high-speed operation of the internal fan will cause injury.

Do not use fuses like iron or copper wire other than those with the specified capacity. Otherwise, a malfunction or fire may occur. The power supply must use the special circuit of the air conditioner at the rated voltage.

Do not place valuables under the air conditioner. Air conditioner condensation problems may damage the valuables.

When the air conditioner needs to be moved and re-installed, please entrust the local dealer or a professional technician to operate it.





**Disposal: Do not dispose of this product as unsorted municipal waste. Collection of such waste separately for special treatment is necessary.**

*Do not dispose of electrical appliances as unsorted municipal waste, use separate collection facilities. Contact your local government for information regarding the collection systems available. If electrical appliances are disposed of in landfills or dumps, hazardous substances can leak into the groundwater and get into the food chain, damaging your health and well-being.*



## Caution

To use the unit normally, please follow the “Operation” section in this manual. Otherwise, the internal protection may be triggered, the unit may begin to drip, or the unit’s cooling and heating effects may be impacted.

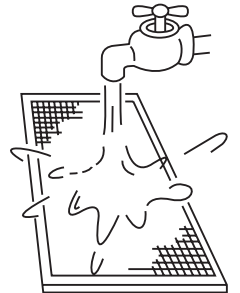


The room temperature should be set properly, especially when there are elderly, children, or patients in the room.

Lightning or the starting and stopping of large electrical equipment in nearby factories may cause misoperation of the air conditioner. Please turn off the main power switch for a few seconds, and then restart the air conditioner.

To avoid accidental resetting of the thermal circuit breaker, the air conditioner cannot be powered by an external switching device such as a timer or connected to a circuit that is turned on and off by a common component timer.

Check whether the air filter is installed properly. Confirm that the inlet and outlet ports of the indoor unit/outdoor unit are not blocked.



If the air conditioner will not be used for a long time, please clean the air filter before you start the air conditioner. Otherwise, dust and mold on the filter could contaminate the air or produce an unpleasant odor. For more details, please refer to the section “Maintenance and Service”.

**When using the air conditioner for the first time or replacing the filter, complete the following settings on the controller:**

1. *Reset the initial static pressure on the controller or perform a trial run on the outdoor unit (performed by the installer), and set the current state as a reference state for the unit to determine the filter state. (For details, see the Application Control section)*
2. *Set the difference between the initial resistance and the final resistance of the filter. (For details, see the wired controller manual.)*

**If the above operations are not performed, then the unit may not detect the state of the filter accurately**

## 2 Optimum Operation

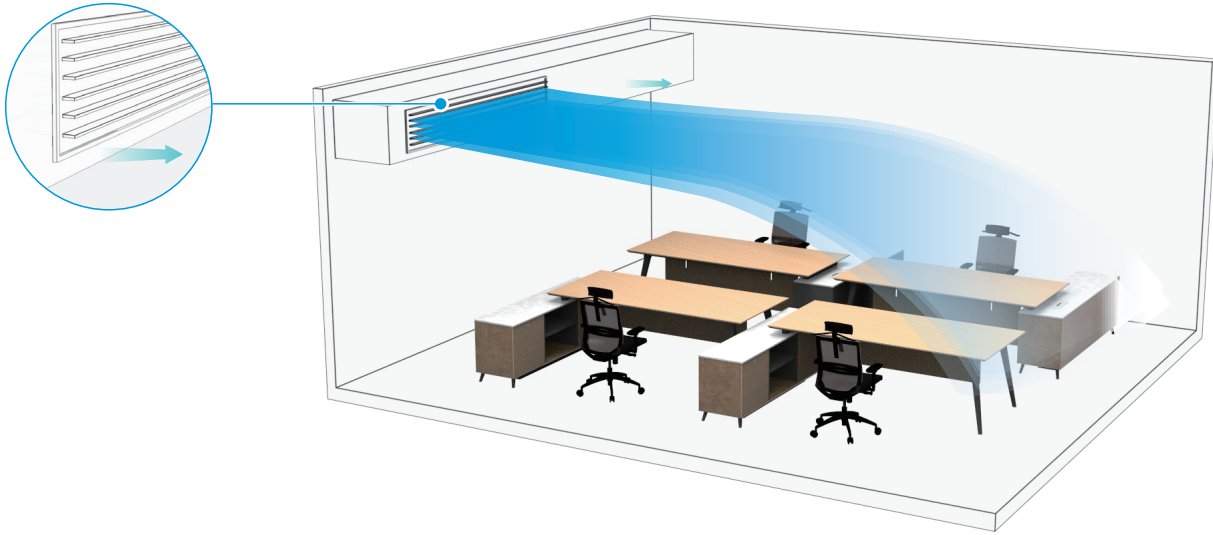
As cold air sinks and hot air rises, adjust the direction of louvers respectively in cooling and heating modes to ensure good cooling and heating effects.

Use the following method to regulate the air outlet assembly (optional).

### In Cooling Mode

To improve the cooling effect in the room, adjust the air outlet louvers horizontally.



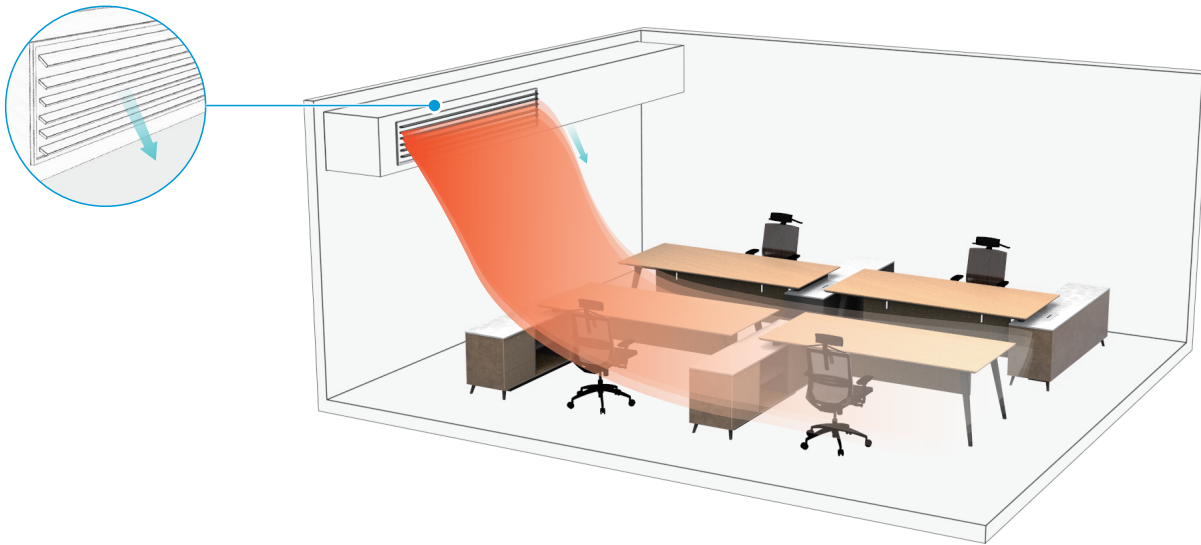


### Caution

The downward direction of the louvers of the outlet grille during cooling operation may cause condensation on the air outlet and guide louvers surface.

## In Heating Mode

To improve the heating effect in the lower parts of a room, adjust the louvers of air outlet grille downwards.



## Operating Range

Use the unit in the following temperature and humidity ranges for safe and effective operation.

Cooling	Indoor temperature	16~30°C
	Indoor humidity	≤80% (When the humidity exceeds 80%, long-time operation of the indoor unit may cause dew condensation on the surface of the indoor unit, generate mist-like cold air from the air outlet or water dripping out of the unit.)
Heating	Indoor temperature	15~30°C

### Caution

If it exceeds this operating range, safety devices may be put in action and the unit may not operate.

# 3 Symptoms That Are Not Faults

## Normal Protection of the Air Conditioner

During operation, the following phenomena are normal and do not require maintenance.



When the power switch is on, the air conditioner starts 3-5 minutes after it is turned ON again in case it was turned off just before.



In heating mode (including heating in automatic mode), when the indoor heat exchanger does not reach a certain temperature, the indoor fan temporarily shuts off, or runs in Low mode until the heat exchanger heats up to prevent the blowing of cold air.



When the outdoor temperature is low and the humidity is high, the outdoor unit's heat exchanger may become frosted, which may reduce the heating capacity of the air conditioner. If this occurs, the air conditioner will stop heating, enter automatic defrosting mode, and return to heating mode after defrosting has been completed.

During the defrosting, the outdoor fan stops running and the indoor fan runs using the anti-cold air protection function.

The defrosting operation time varies depending on the outdoor temperature and the degree of frosting. It generally takes 2 to 10 minutes.

During the defrosting process, the outdoor unit may emit steam due to the rapid defrosting, which is normal.

## The Following Symptoms Are Not System Malfunctions

The following phenomena are normal during operation of the air conditioner. They can be solved according to the instructions below or do not need to be solved.

### ■ The indoor unit emits white mist

- ① When humidity is high during cooling mode, white mist may appear due to the humidity and the temperature difference between the air inlet and outlet.
- ② When the air conditioner is switched to heating mode after defrosting, the indoor unit discharges the moisture generated from defrosting as steam.

### ■ The indoor unit blows dust

When filter is very dirty, dust may enter the indoor unit and be blown out.

### ■ The indoor unit emits odor

The indoor unit absorbs the odors of rooms, furniture or cigarettes, etc., and disperses the odors during operation. It is advised to have the air conditioner cleaned and maintained regularly by professional technicians.

### ■ Water drips

When the indoor humidity is high, condensation and water may drip out of the unit.

## ■ “Self-cleaning” sound of icing

During self-cleaning, there may be a slight clicking sound from the melting thin ice about 10 minutes.

## ■ Noise of Indoor unit

- ① A continuous low “hissing” sound is heard when the system is in “Auto”, “Cool”, “Dry”, and “Heat” modes. This is the sound of refrigerant gas flowing through both indoor and outdoor units.
- ② A “hissing” sound is heard at the start or immediately after stopping operation or defrost operation. This is the noise of refrigerant caused by flow change.
- ③ A “zeen” sound is heard immediately after the power supply is turned on. The electronic expansion valve inside an indoor unit starts working and makes the noise. It will reduce in about one minute.
- ④ A continuous low “shah” sound is heard when the system is in cooling mode, dry mode or at a stop. When the drain pump (optional accessories) is in operation, this noise is heard.
- ⑤ A “pishi-pishi” squeaking sound is heard when the system stops after heating operation. Expansion and contraction of plastic parts caused by temperature change make this noise.
- ⑥ A low “sah”, “choro-choro” sound is heard while the indoor unit is stopped. When another indoor unit is in operation, this noise is heard. In order to prevent oil and refrigerant from remaining in the system, a small amount of refrigerant is kept flowing.

## ■ Switching from cooling/heating (not available for cooling only units) mode to fan only mode

When the indoor unit reaches the set temperature, the air conditioner controller automatically stops the compressor operation and switches to the fan only mode. When the room temperature rises (in cooling mode) or falls (in heating mode) to a certain level, the compressor is restarted and cooling or heating operation is resumed.


## ■ In winter, the outdoor temperature is low, and heating effects may be decreased

- ① In heating mode, the air-conditioning system absorbs heat from the outdoor air and releases heat to the indoor side. When the outdoor temperature is low, less heat is released. This is the principle of heat pump.
- ② When the outdoor temperature is extremely low, the heating capacity of the air conditioner decreases, and other heating equipment may need to be added.

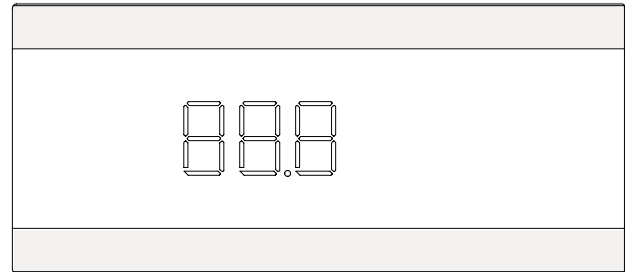
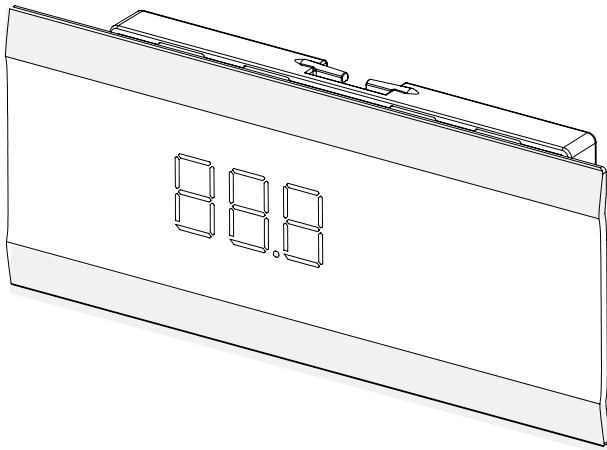
## ■ Mode conflict

All indoor units in the same refrigerant system can only operate in the same mode, such as cooling, heating or other modes. Setting to a different mode will make conflict and the system will stop. Make sure all indoor units are running in the same mode.

## ■ No heating or cooling permissions

For the same air conditioning system, if outdoor unit operates in changeover mode, the wired controller of VIP indoor unit allows users to select modes supported by the indoor units, while the wired controllers of other indoor units displays the icon of “ No permission”. In this case, other indoor units can only operate in the same mode as the VIP indoor unit.

## 4 Display Box (Optional)



### Display functions:

- ① In Standby mode, the main interface displays “---”.
- ② When starting up in Cooling or Heating mode, the main interface displays the set temperature. In Fan mode, the main interface displays the indoor temperature. In Dry mode, the main interface displays the set temperature, and when the humidity\* is set, the set humidity value is displayed on the wired controller.
- ③ The light display on the main interface can be turned on or off through the light button on the remote controller.
- ④ When the system fails or runs in a special mode, the main interface displays the error code or the operating status codes. For details, see the section “Error Codes and definitions”.

### Note

Humidity\* : The humidity control functions is customized.

Some display functions are available only for certain indoor unit and outdoor unit models, wired controllers, and display boxes. For more information, please consult your local dealer or technical support.

## 5 Disposal

Components and accessories from the units are not part of ordinary domestic waste.

Complete units , compressors, motors etc. are only to be disposed of via qualified disposal specialists.

This unit uses hydrofluorocarbon which is only be disposed of via qualified disposal specialists.

# Installation

Carefully read this manual before installing the indoor unit.

## 1 Installation Precautions

### Qualification and Safety Regulation Requirements

#### Warning

**Please carry out the installation according to local standards.**

**Ask your local dealer or professionals to install the product.**

This unit must be installed by professional technicians with relevant specialized knowledge. Users MAY NOT install the unit themselves; otherwise, faulty operations may cause the risks of fire, electrical shock, injury, or leakage, which could harm you or others or damage the air conditioner.

**Never modify or repair the unit on your own.**

Otherwise, a fire, electric shock, injury or water leakage may occur. Get your local dealer or a professional to do so.

**Ensure that the residual current device is installed.**

The residual current device must be installed. Failure to install it may result in electric shock.

**When powering the unit, follow the regulations of the local electric company.**

Make sure that the unit is earthed reliably in accordance with laws. If the earthing is not completed correctly, it may cause electrical shock.

**When moving, disassembling or reinstalling the air conditioner, get the assistance of your local dealer or a professional.**

If installed improperly, fire, electrical shock, injury, or water leakage may occur.

**Use the optional accessories specified by local dealer.**

The installation of these accessories must be carried out by professionals. Improper installation may cause fire, electrical shock, water leakage and other hazards.

**Use only power supply cable and communication cables that meet specification requirements. Properly connect all the wiring to make sure that no external forces are acting on the terminal blocks, power supply cable and communication cables. Improper wiring or installation may cause a fire.**

**The air conditioner must be earthed. Check whether the earth line is securely connected or broken. Do not connect the earth line to gas cans, water piping, lightning rods or telephone earth lines.**

**The main power switch of the air conditioner should be put in a position that is out of the reach of children.**

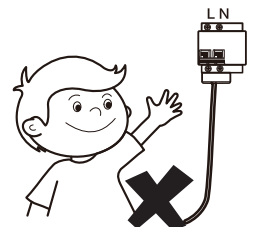
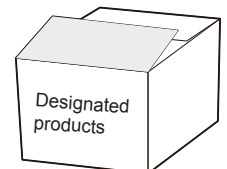
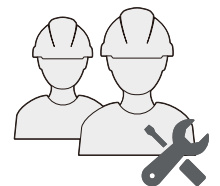
It should not be obstructed by flammable objects such as curtains.

**Open flames are prohibited when refrigerant leaks are present.**

If the air conditioner is not cooling/heating properly, this may be caused by a refrigerant leak. If this occurs, contact your local dealer or a professional. The refrigerant in the air conditioner is safe, and usually does not leak.

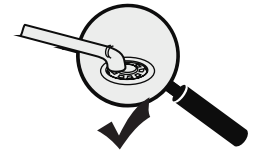
If there is refrigerant leakage in the room, it is easy for a fire to occur after contact with the heating units of the heater/electric stove/stove. Please disconnect the power supply of the air conditioner, extinguish the flames of appliances that produce a flame, and open the windows and doors of the room to allow ventilation and ensure that the concentration of refrigerant leakage in the room does not exceed a critical level; keep away from the leakage point, and contact the dealer or professional personnel.

**After the refrigerant leakage is repaired, do not start the product until the maintenance personnel confirms that the leakage is well repaired.**



**Before and after installation, exposing the unit to water or moisture will cause electrical short circuit.**

Do not store the unit in a humid basement or expose it to rain or water.



**Make sure the installation base and lifting are robust and reliable;**

Insecure installation of the base may cause the air conditioner to fall, leading to an accident. Take into full consideration the effects of strong winds, typhoons and earthquakes, and reinforce the installation.

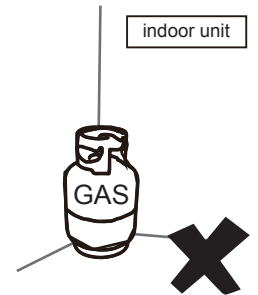
**Check whether the drain pipe can drain the water smoothly.**

Improper installation of the pipeline may lead to water leakage, damaging furniture, electric appliances, and the carpet.

**After installation, check whether the refrigerant is leaking.**

**Do not install the product in a location where there is a danger of flammable gas leaks.**

In the event of leakage of combustible gas, the combustible gas surrounding the indoor unit may cause a fire.



**Install an air filter of 30-80 mesh/inch at the return air grille to filter dust in the air and keep the air diffuser clean and free from dirt blockage.**

## **Caution**

**Keep the indoor unit, outdoor unit, power supply cable, and connecting wires at least 1m away from the high-power radio equipment, to prevent electromagnetic interference and noise. For some electromagnetic waves, it is not enough to prevent noise even at a distance of more than 1m.**

**In a room equipped with fluorescent lamps (rectifier type or fast start type), the signal transmission distance of the remote controller (wireless) may not reach the predetermined value. Install the indoor unit as far away from the fluorescent lamp as possible.**

**Do not touch the fins of the heat exchanger, as this could cause injury.**

**For safety, please dispose of the packing materials properly.**

Nails and other packaging materials may cause personal injury or other risks. Tear up the plastic packaging bag and dispose of it properly to prevent children from playing with it, leading to suffocation.

**Do not cut off the power supply immediately after the indoor unit stops running.**

Some parts of the indoor unit like the valve body and water pump are still in operation. Please wait for at least 5 minutes before cutting off the power supply. Otherwise, water leakage and other faults may occur.

**If the length and direction of the air inlet/outlet panel or connecting duct have been changed, complete the following settings on the controller before use the air conditioner again: (For details, see the Application Control section)**

Reset the initial static pressure on the controller or perform a trial run on the outdoor unit (performed by the installer), and set the current state as a reference state for the unit to determine the filter status.

**If the above operations are not performed, then the unit may not detect the state of the filter accurately.**

**For evaporating units and condensing units, the instructions or markings shall include a wording to assure that the maximum operating pressure is considered when connecting to any condenser unit or evaporator unit.**

**For evaporating units, condensing units and condenser units, the instructions or markings shall include refrigerant charging instructions.**

**A warning to assure that partial units shall only be connected to an appliance suitable for the same refrigerant.**

**This unit is a partial unit air conditioner, complying with partial unit requirements of this International Standard, and must only be connected to other units that have been confirmed as complying to corresponding partial unit requirements of this International Standard.**

**The electrical interfaces shall be specified with purpose, voltage, current, and safety class of construction.**

**The SELV connection points, if provided, are to be clearly indicated in the instructions.**

**The connection point should be marked with the “read the instructions” symbol per ISO 7000-0790 (2004-01) and the Class III symbol according to IEC 60417-5180 (2003-02).**

**For R32 Refrigerant only.**

This unit is equipped with a refrigerant leak detector for safety. To be effective, the unit must be electrically powered at all times after installation, other than when servicing.

If any supplemental unit is employed to detect leaked refrigerant, such unit shall also apply this marking or be accompanied by such instructions.










## Precautions for Carrying and Lifting the Air Conditioner

- ① Before carrying the air conditioner, determine the route that will be used to move it to the installation site.
- ② Do not unseal the air conditioner until it is moved to the installation site.
- ③ When unpacking and moving the air conditioner, must hold the hanger seat and do not apply force to other parts, especially the refrigerant piping, drain pipe and plastic accessories, so as to avoid damaging the air conditioner and causing personal injury.
- ④ Before installing the air conditioner, make sure that the refrigerant specified on the nameplate is being used. For the installation of the outdoor unit, refer to the installation instructions in the Installation and Operation Manual attached with the outdoor unit.

## Forbidden Installation Sites

### Warning

Do not install or use the air conditioner in the following places:

-  A place filled with mineral oil, fumes or mist, like a kitchen. Plastic parts will age and the heat exchanger will become dirty, eventually causing the air conditioner performance to deteriorate or leak water.
-  A place where there are corrosive gases, such as acid or alkaline gases. Connecting pipes and copper welds will be corroded, resulting in refrigerant leakage.
-  A place exposed to combustible gases and using volatile combustible gases such as diluent or gasoline. The electronics in the air conditioner may cause the surrounding gas to ignite.
-  A place where there is equipment emitting electromagnetic radiation. The control system will fail and the air conditioner will not function properly.
-  A place where there is a high salt content in the air like a coastal area.
-  Do not use the air conditioner in an environment where an explosion may occur.
-  The unit cannot be installed on moving vehicles such as truck and ship.
-  Factories with major voltage fluctuations in the power supplies.
-  Other special environmental conditions.






### Caution

Air conditioner units of this series are designed to provide comfort. Do not use them in equipment rooms and rooms with precision instruments, food, plants, animals, or works of art.

## Recommended Installation Sites

It is recommended to install the air conditioner according to the design drawing of the HVAC engineer. The selection principle for the installation site is as follows:

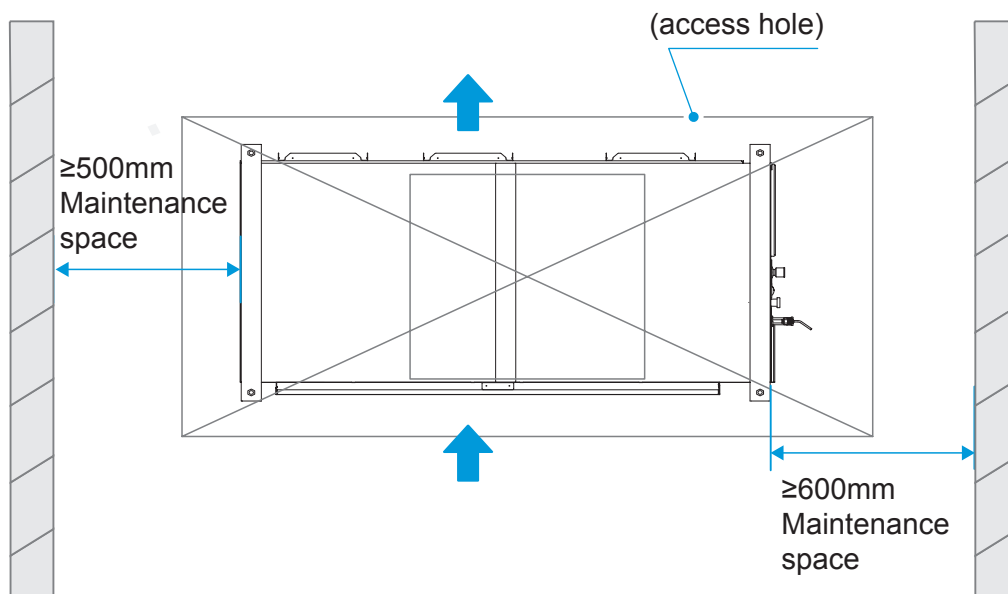
-  Ensure that the airflow in and out of the indoor unit is reasonably organized to form an air circulation in the room.
-  Ensure indoor unit maintenance space.
-  Prevent the air conditioner from blowing directly at the human body.



- ☑ Keep the air-conditioning return air away from direct exposure to the sun in the room.
- ☑ The indoor unit should not be lifted in the places like load-bearing beams and columns that affect the structural safety of the house.
- ☑ The wired controller and the indoor unit should be in the same installation space; otherwise, the sampling point setting of the wired controller needs to be changed.

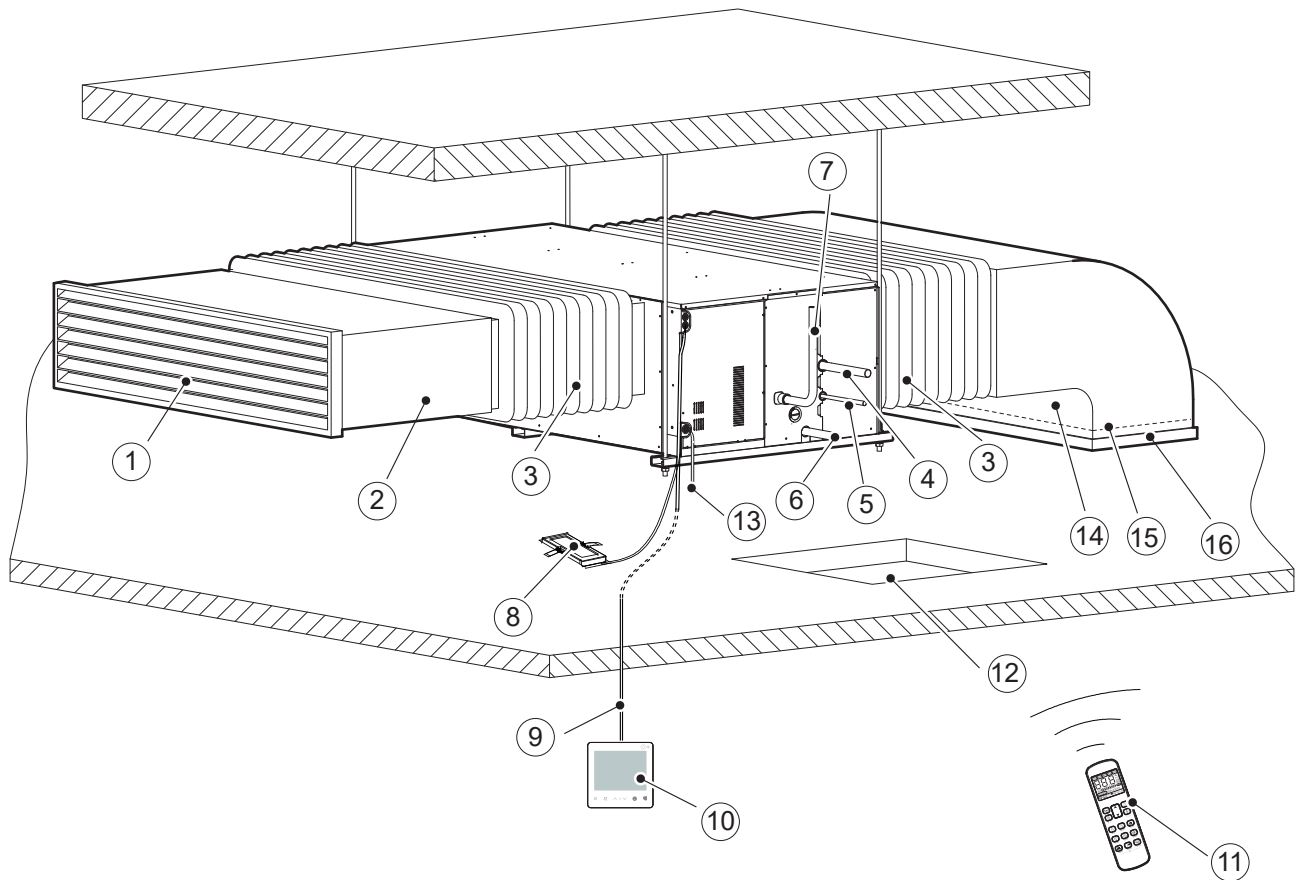
Choose a site that fully complies with the following conditions and user requirements to install the air conditioning unit:

- ☑ There is enough space for installation and maintenance.
- ☑ The ceiling is level, and the structure is strong enough to support the indoor unit. If necessary, take measures to reinforce the unit's stability.
- ☑ Airflow in/out of the machine is not obstructed, and the external air exerts minimum impact.
- ☑ It is easy to supply airflow to every corner of the room.
- ☑ It is easy to drain fluids from the connected piping and water drain piping.
- ☑ There is no direct heat radiation.
- ☑ Avoid installation in narrow spaces or where there are more stringent noise requirements.
- ☑ Install the indoor unit at a place 2.5m above ground.
- ☑ Condensate water can be discharged smoothly.
- ☑ The length of the piping between the indoor and outdoor units is within the permitted range. Refer to the Installation and Operation Manual attached with the outdoor unit.





## Installation layout



① \*Air outlet grille

④ Gas pipe

⑦ Drain pipes for models with a water pump

⑩ Wired controller (optional)

⑬ \*power supply cable and earth wires

⑯ \*Air inlet grille

② \*Air outlet duct

⑤ Liquid pipe

⑧ Display box (optional)

⑪ Remote controller (optional)

⑭ \*Air inlet duct

③ \*Soft flexible duct

⑥ Drain pipes for models without a water pump

⑨ \*Connection wires

⑫ Access hole

⑮ Air filter

\* To be purchased separately on site.

### Note

All the optional accessories should be from local dealer.

For optional accessories such as wired controllers, please refer to the manuals of these accessories.

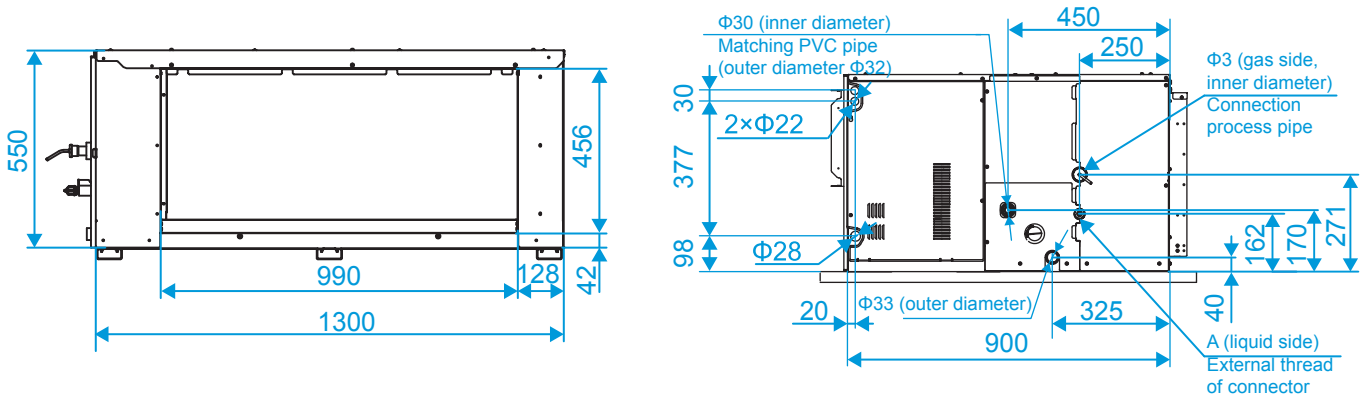
All the figures in the manual explain only the general appearance and functions of the product. The appearance and functions of the purchased product may not be completely consistent with those listed in the figures. Please refer to the actual product.

# Product Dimensions

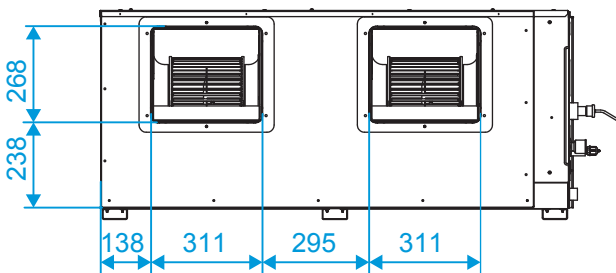
(Unit: mm)

Capacity (kW)	A
20.0≤kW≤22.4	5/8-18 UNF
22.4<kW≤33.5	3/4-16 UNF

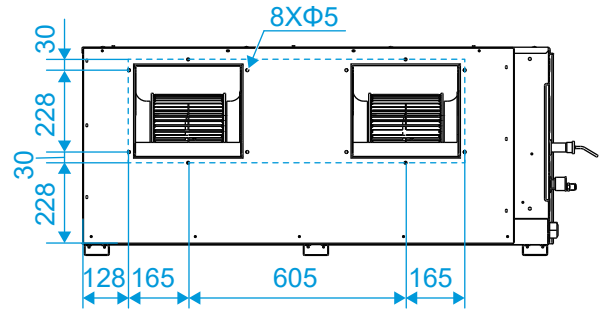
Appearance and dimensions of the air inlets, piping, drain pipes, power cable hole and communication wire hole:



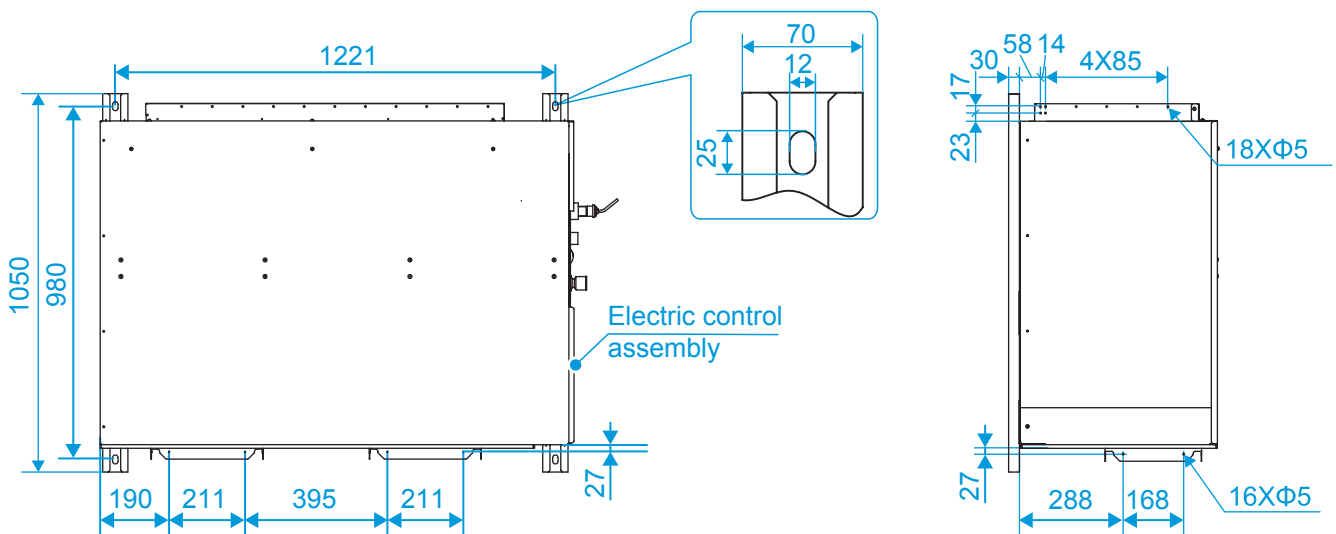
Dimensions of the air outlets:



Dimensions of the air duct installation hole after the air outlet flange is removed:

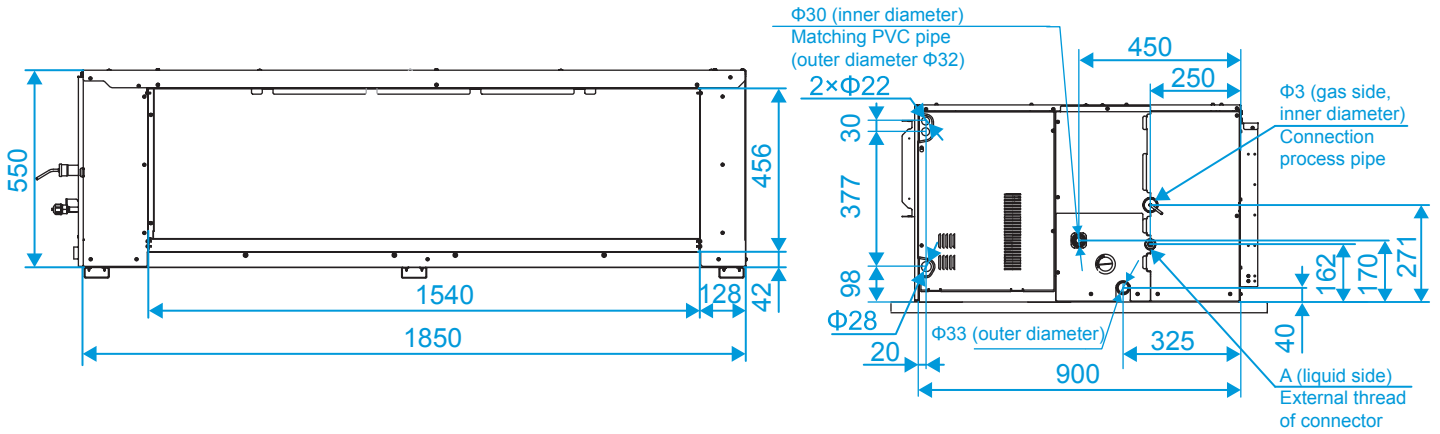


Dimensions of lugs and the screw hole of air outlet/inlet flange:

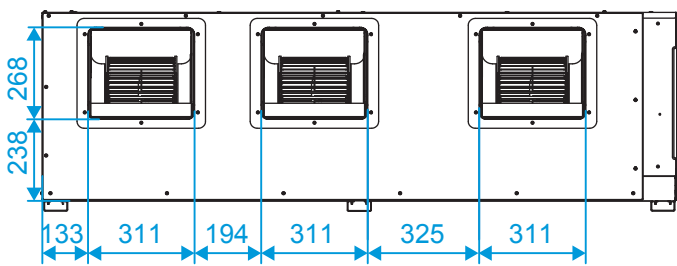


Capacity (kW)	A
33.5≤kW≤40.0	3/4-16 UNF
40.0<kW≤56.0	7/8-14 UNF

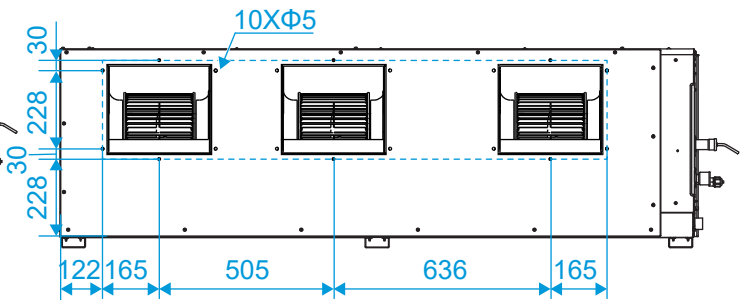
Appearance and dimensions of the air inlets, piping, drain pipes, power cable hole and communication wire hole:



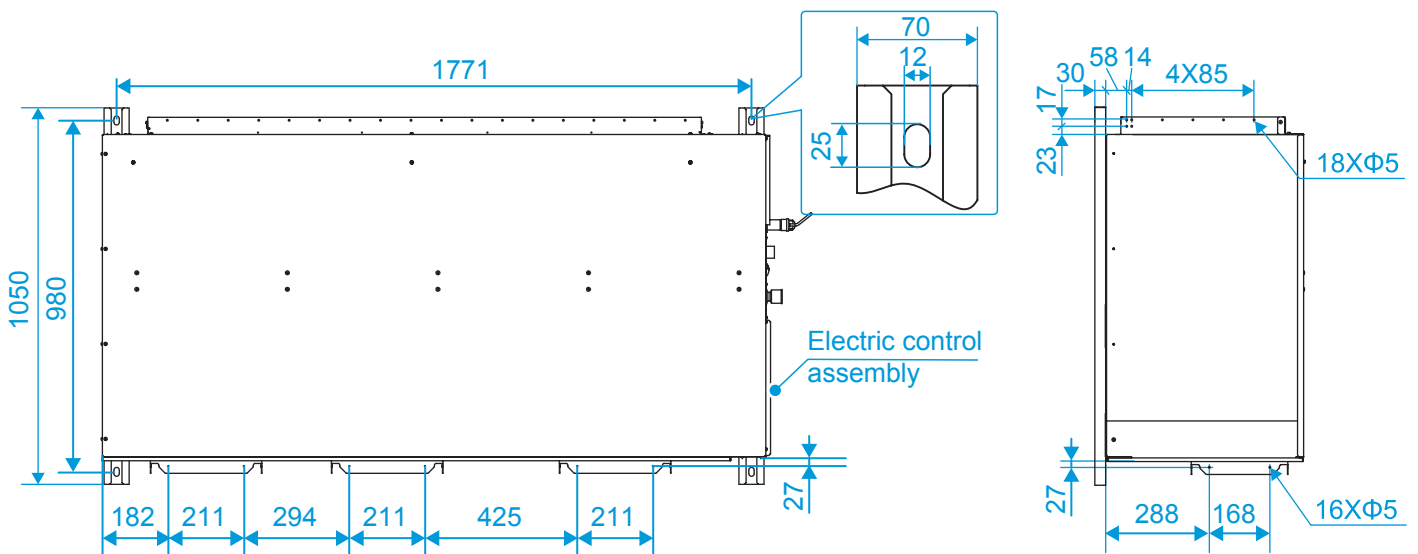
Dimensions of the air outlets:



Dimensions of the air duct installation hole after the air outlet flange is removed:



Dimensions of lugs and the screw hole of air outlet/inlet flange:



# 2 Installation Materials

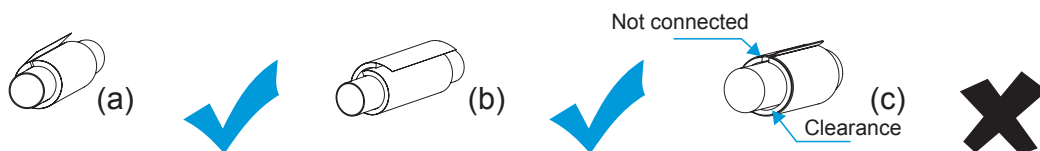
## Accessories

### List of accessories

Installation and Operation Manual X 1 (Make sure to hand it over to the user)	Flare nut X 1 For use in the installation of connecting pipe	Drain pipe X 1 Unavailable for units with a drain pump	Cable tie X 4 To tighten the drain hose tightly to the drainage outlet and PVC piping of the indoor unit.	Thermal insulation pipe X 2 Used for insulation and anti-condensation at pipe connections.
Air filter X 1 or 2	Teflon tape X 1 Used to seal the pipe connection	Mounting spring X 2 Used to install the display component (for some models)		

### Note

When installing the insulation pipe on site, please cut it according to the actual needs. (Either method (a) or (b) is OK. Method (c) is incorrect. There must be no gap between the insulation pipe and connecting pipe.)



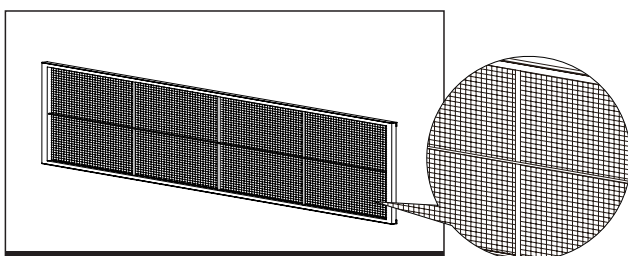
Check the accessory kit for the above items and contact your local dealer for any missing items.

Do not throw away any accessories that may be required for installation until the installation is complete.

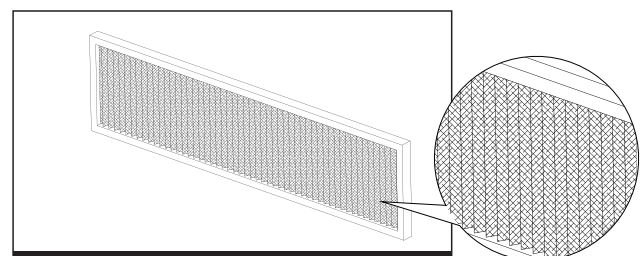
Customers are free to choose to buy wired controllers, display boxes, remote controllers (with a seven-speed wind controller) and other optional accessories.

Except primary efficiency filters, medium efficiency filters and high efficiency filters are optional.

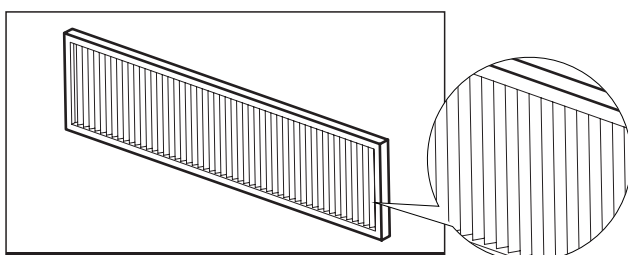
Primary efficiency filter



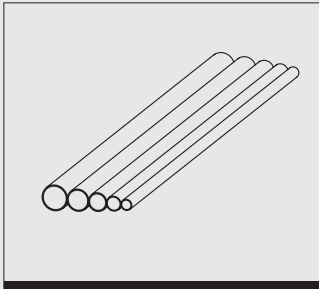
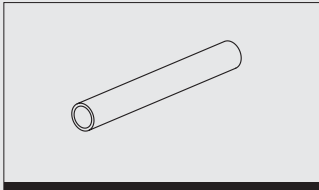
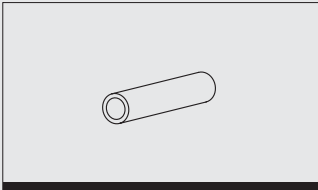
Medium efficiency filter



High efficiency filter



## Locally Purchased Accessories

	Connecting pipe (Unit: mm)		
	Piping	Liquid side	Gas side
Capacity(kW)			
20.0≤kW≤22.4		Φ9.52×0.7	Φ19.1×0.75
22.4<kW≤28.0		Φ12.7×0.75	Φ22.2×1.0
28.0<kW≤40.0		Φ12.7×0.75	Φ25.4×1.2
40.0<kW≤56.0		Φ15.9×0.75	Φ28.6×1.2
Remarks	For connection of the indoor unit refrigerant system, it is recommended to use a soft connecting pipe (T2M), with the length selected according to the actual situation.		
	PVC water drain pipe		Thermal insulation pipe
	This is used as the indoor unit's drain pipe, 32mm in diameter. The length is determined according to actual needs.		The thickness of the insulation pipe for the connecting pipe is usually 10mm or above; and the thickness of the insulation pipe for the rigid polyethylene plastic tube is usually 15mm or above. If the pipe is used in a closed humid area, the thickness should be increased.

### Note

The materials necessary for onsite installation of the connecting pipe, air duct, flexible hose connecting the air outlet, drain pipe, lifting screw, air supply and return grille, various fasteners (pipeline bracket, Victaulic connector, screw, etc.), power supply cable, signal line, etc. need to be purchased by the installer on site. The materials and specifications must comply with the corresponding local or industrial standards.

## Heat Insulation Material Requirements

### Connecting pipe insulation

The insulation work should only be carried out after the successful completion of the air tight test. Use polyethylene foam as insulation material, fire rating class is B1 and heat resistance is over 120°C. Thickness of the insulation pipe:

1. When the pipe diameter is equal to or greater than 15.9mm, the insulation thickness is at least 20mm.
2. When the pipe diameter is equal to or smaller than 12.7mm, the insulation thickness is at least 15mm.

In cold climates, for heating application, the insulation thickness of outdoor refrigerant pipe is at least 40mm, the insulation thickness of indoor refrigerant pipe is at least 20mm. Use glue to seal the jointed areas of thermal insulation pipes, and then wrap them with electrical tape with a width of not less than 50mm to ensure the connection is sealed. Make sure the insulation between the refrigerant pipes and the Indoor unit are entire to prevent the condensation.

### Air duct insulation

The insulation of the air duct shall be carried out after the air leakage test of the air duct system has passed. Use glass wool or polyethylene foam materials for thermal insulation. Make sure the insulation of air duct is entire to prevent the condensation. Wrap the outlet-side flange and the duct connection area with aluminum tape or something similar to prevent air escaping. The supports, suspension brackets, and brackets of the air duct shall be arranged outside the insulation layer with protective pad. Insulation thickness of glass wool:

1. The insulation thickness of air duct shall not be less than 40mm in rooms without air conditioning.
2. The insulation thickness of air duct shall not be less than 25mm in rooms with air conditioning.
3. If the insulation layer is made of other materials, the thickness of the insulation shall be obtained according to design requirements or calculations.

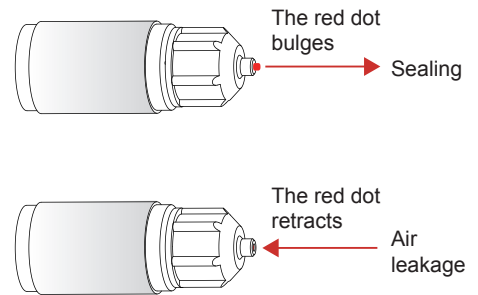
### Drain pipe insulation

After the drainage test shows that there are no leaks, carry out the insulation of the drain piping. Drain pipe connection hole shall be insulated to prevent condensation. Drain piping passing indoors shall be insulated to prevent condensation, and insulation sleeves should be thicker than 10mm. Use glue to seal the jointed areas of thermal insulation pipes. The head of the metal clamp should be at the top, and metal clamp should be well insulated.

# 3 Preparations Before Installation

## Unpacking Check

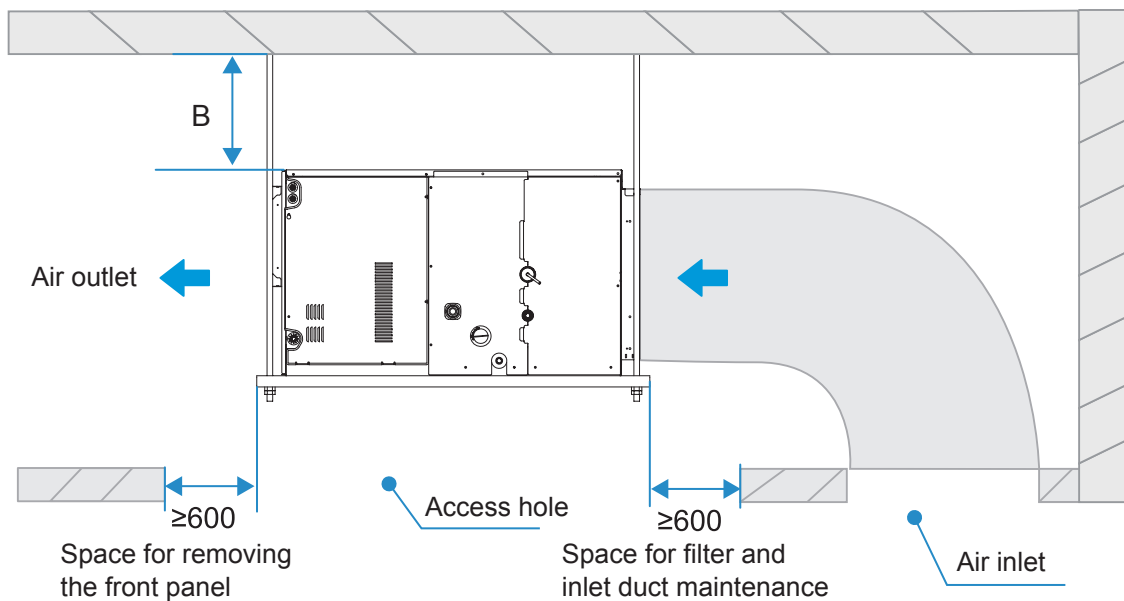
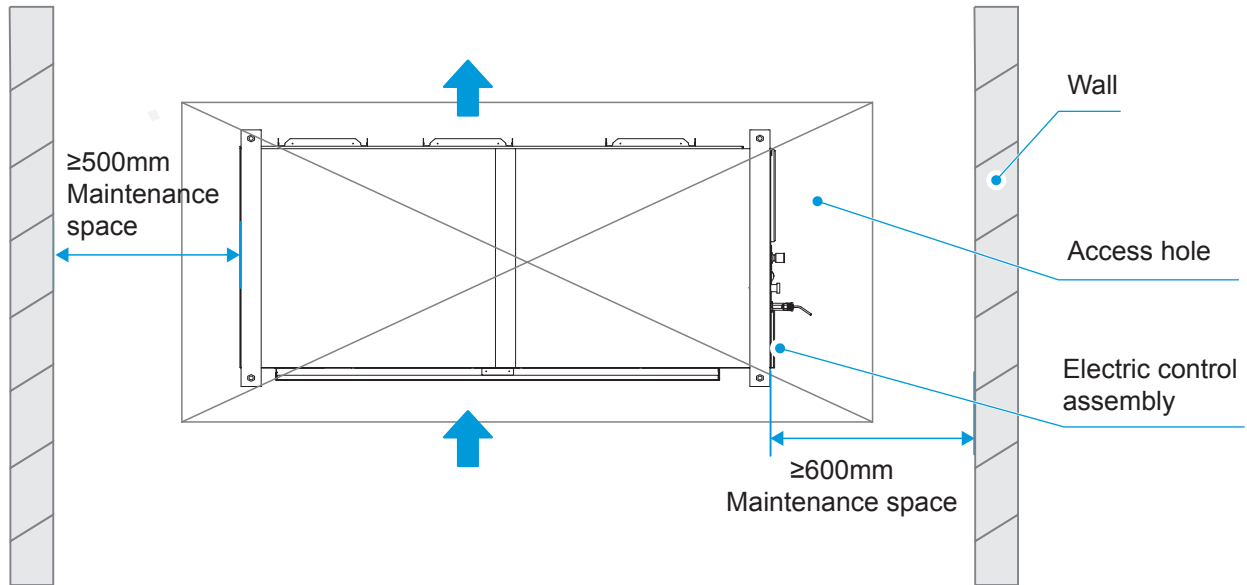
- ① Before installation, check whether the packing materials are in good condition, whether the accessories that come with the product are complete, whether the air conditioner is intact, whether the surfaces of the heat exchanger and other parts have become worn, and whether there are oil stains on the stop valve of the unit.
- ② Check the nut of the refrigerant pipe, and observe whether the red dot on the surface of the sealing nut of the gas pipe bulges. If it bulges, the pipe is well sealed; if it retracts, the line is leaking, and need to contact local dealer.
- ③ Check the machine model before installation.
- ④ After indoor unit and outdoor unit inspection, pack them with plastic bags to avoid intake of foreign matters.



## Indoor Unit Positioning

Determine the positions of the air conditioning unit and lifting screws

- ① Determine the air outlet/return mode and the lifting position of the indoor unit according to the design drawing.
- ② Draw lines to locate the drilling positions of the bolts according to the three-dimensional figure of the unit.
- ③ Make an access hole at the electric control box side.
- ④ For ease of disassembly of the motor, the rear end of the indoor unit shall be at least 200mm away from the wall.
- ⑤ There shall be no obstacle within 200mm of the return air inlet.
- ⑥ It is suggested to use an infrared ray locator for line drawing.



**! Caution**

The distance between the indoor unit and the roof (B) shall be greater than 50mm to install the air duct.  
 The motor and fan can be maintained from the indoor unit top or the air outlet. If maintenance is performed from the indoor unit top, the distance between the indoor unit and the roof must be larger than 600mm. If maintenance is performed from the air outlet, the distance between the indoor unit and the roof must be larger than 50mm, with a minimum distance of 600mm allowed for removing the front panel.

# 4 Indoor Unit Installation

## Warning

Install the air conditioner in a location with sufficient strength to support the weight of the unit. Take reinforcement measures when necessary.

The unit may fall and cause personal injury if the location is not strong enough.

Unstable installation may cause the unit to fall and cause an accident.

Before wiring/pipe layout, make sure that the installation area (walls and floor) is safe and free of water, power, gas, and other hidden dangers.

## Installation of Lifting Bolts

- ① Based on the distance between the four hanging holes of the indoor unit, use a pencil to draw the positions of screws to be fixed on the ceiling. After holes are drilled, tighten the expansion screws into the holes (by welding a fully threaded bolt of 490mm onto an expansion screw of  $\phi 8$ mm, with two screw caps), and then place the four corners of the indoor unit in the bolt to lift the unit.
- ② Use four hanger rods during lifting. The diameter of the lifting bolt shall not be less than 12mm. The hanger rods are strong enough to support two times the weight of the indoor unit, with two nuts tightened below the hanger rods.
- ③ When the length of the hanger rod exceeds 1.5m, two diagonal braces must be added to provide stability.
- ④ Removing the ceiling: Since building structures differ, discuss building details with the interior decoration workers.
  - a. Ceiling treatment: Reinforce the ceiling pedestal to make sure that the ceiling is level and to prevent ceiling vibrations.
  - b. Cut off and dismantle the ceiling pedestal.
  - c. Reinforce the remaining surface after the ceiling is removed. Add further reinforcements to the pedestal on two ends of the ceiling.
  - d. Once the main unit has been lifted and mounted, carry out the piping and wiring tasks within the ceiling. Determine the outlet direction of the piping after the installation site has been finalized.

For sites where the ceiling is already available, first connect and put in position the refrigerant piping, water drain piping, and connecting wires of the indoor unit and wired controller before hoist and mount the unit.

## Caution

High-quality carbon steel bolts (galvanized or with other anti-rust paint applied) or stainless steel bolts are used.

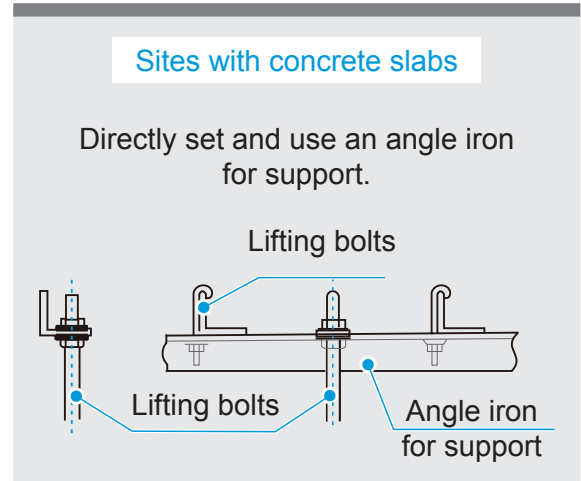
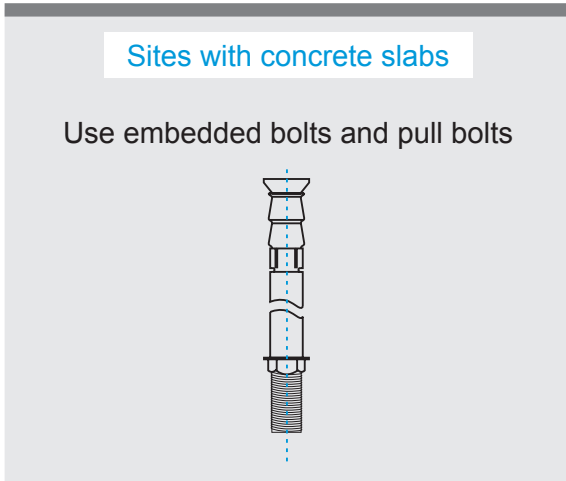
How the ceiling is treated will differ with the type of building. For specific measures, please consult the building and renovation engineers.

How the lifting bolt is secured varies according to the specific situation, and it must be secure and reliable.



## Installation of Lifting Bolts

Refer to the following figure on installation using the lifting bolts.



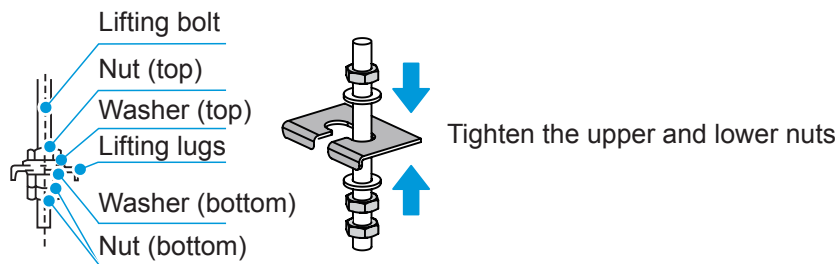
## Indoor Unit Installation

### ⚠ Caution

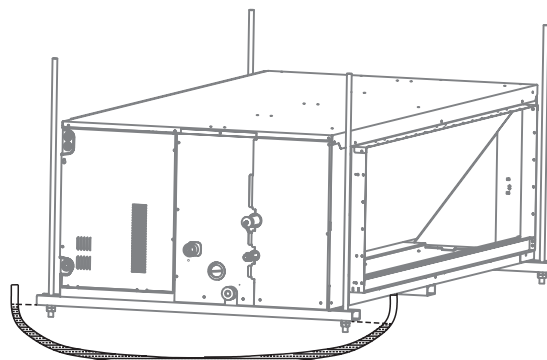
The indoor unit must not be too close to the ceiling. It shall be installed level or at an angle within  $1^\circ$  towards the drainage side. (For units without a drain pump, ensure a slope of 1/100 towards the drainage side. Do not tilt towards the non-drainage side.) Otherwise, water cannot drain smoothly and leaks can easily occur.

Keep the indoor unit free from dust or foreign particles. Use the plastic bags provided with the product to cover the unit.

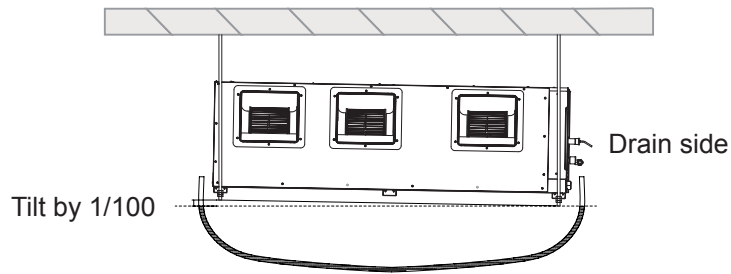
- 1 Slot the lifting bolts in the oblong holes of the lifting lugs. Secure the top and bottom of lugs with washers and nuts.



- 2 Keep the unit level. Use a transparent hose to observe the water level (principle of communicating vessels) and verify the levelness of the unit in the depth direction.



③ Use a transparent hose to observe water level (principle of communicating vessels) and verify the tilt angle of the unit in the length direction. It shall be installed level or at an angle within  $1^\circ$  towards the drainage side. (For units without a drain pump, ensure a slope of 1/100 towards the drainage side. Do not tilt towards the non-drainage side.) Otherwise, water cannot drain smoothly and leaks can easily occur.

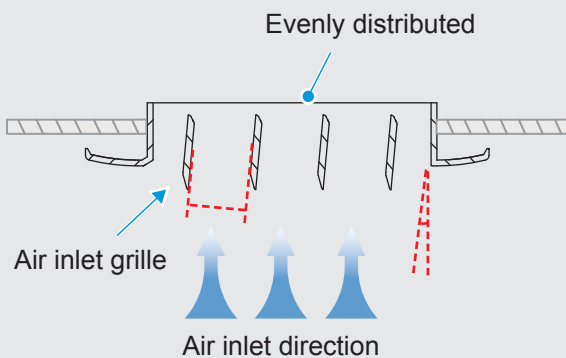


## Air Inlet Grille

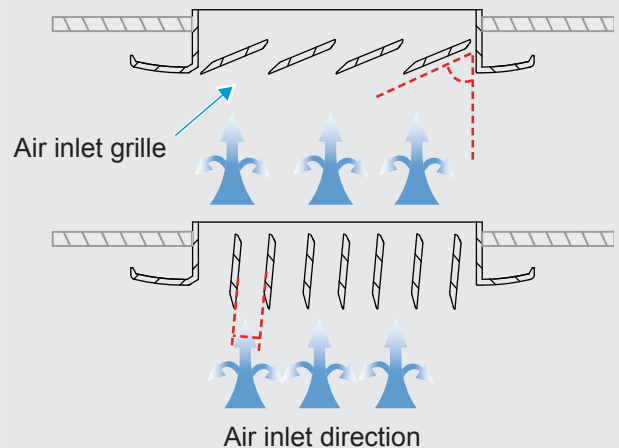
### Note



When designing the air inlet panel of the air return plenum, pay attention to the spacing between the air inlet grilles and try to keep the air inlet grilles in parallel with the air inlet direction.



The spacing between return air grilles should be neither too large nor too small, and the angle between the air grilles and the direction of the air inlet should not be too large.



# 5 Refrigerant Connecting Piping Installation

When connect different series of outdoor units, the length and level differences of piping connections. Refer to the Installation and Operation Manual attached with the outdoor unit.

## ⚠ Caution

During the installation of the connecting pipes, do not allow air, dust, and other debris to penetrate the piping system, and make sure the interior of the pipes is dry.

Install the connecting pipes only when the indoor units and outdoor units are secured.

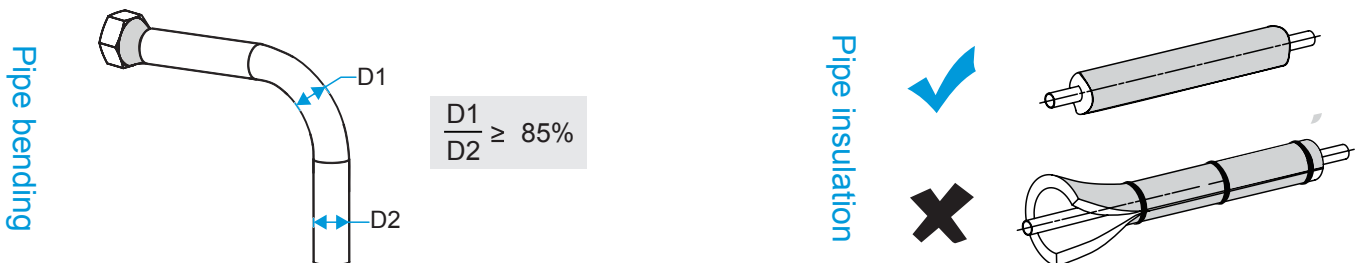
When installing the connecting pipes, record the actual installation length of the liquid pipe on the spot so that additional refrigerant can be added.

The connecting pipes must be wrapped with thermal insulation materials when they are installed.

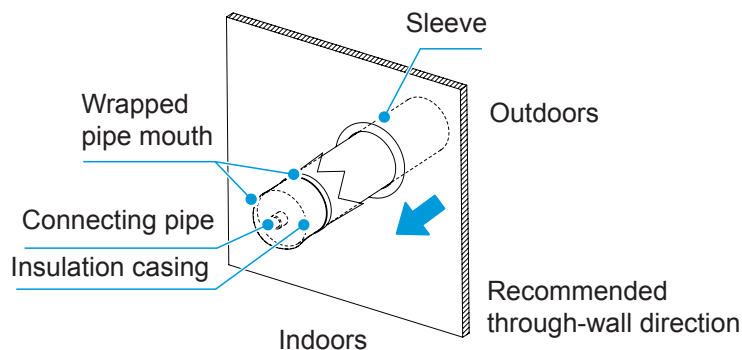
In the event of refrigerant gas leakage during operation, please ventilate immediately.

## Pipe Layout

- 1 Bend the pipes or punch holes in the wall as needed. The deformed pipe area must not exceed 15% of the total area. A protective casing should be installed at the wall or floor hole. The weld joint must not be inside the casing. The drill hole on the external wall must be sealed and tightly wrapped with a binding tie to prevent impurities from entering the pipe. The pipe must be insulated with the correctly-sized insulation pipe.



- 2 The wrapped connecting pipe is plugged through the wall hole sleeve from the outdoor side and enters the indoor side. The pipes must be arranged carefully so as not to damage the piping.



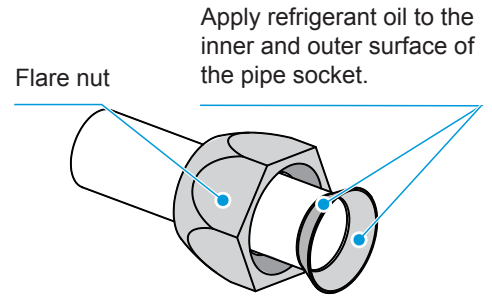
## Pipe Connection Steps

Measure the required length of the connecting pipe. Make the connecting pipe using the following method (see “Pipe Connection” for details).

Connect the indoor unit first, then connect the outdoor unit.

① Before tightening the flare nut, apply refrigeration oil on the inner and outer surface of the pipe flare (must use refrigeration oil compatible with the refrigerant for this model), and turn it 3 or 4 turns by hand to tighten it.

When connecting or removing a pipe, use two wrenches at the same time.



### ⚠ Caution



Bend and arrange pipes carefully without damaging the pipes and their insulating layers.



Do not let the interface of the indoor unit bear the weight of the connecting pipe; otherwise, the connecting pipe may be crushed and deformed, which will affect the cooling (heating) effect, or the thermal insulation materials may be compressed, resulting in air leakage and condensation.

## Pipe Connection

### Processing method

Mechanical bending processing: Wider application ( $\phi 6.35\text{mm}$ –  $\phi 28\text{mm}$ ), using spring pipe bender, manual pipe bender or electric pipe bender.

### ⚠ Caution

The bending angle should not exceed  $90^\circ$ ; otherwise, wrinkles will be formed in the pipe, which can easily break.

The bending radius should not be smaller than  $3.5D$  (pipe diameter) and should be as large as possible to prevent the pipe from becoming flattened or crushed.

When mechanically bending the pipe, the pipe bender inserted into the connecting pipe must be cleaned.

## 1 Brazing pipes

When brazing pipes, fill the pipes with nitrogen.

## ⚠ Caution

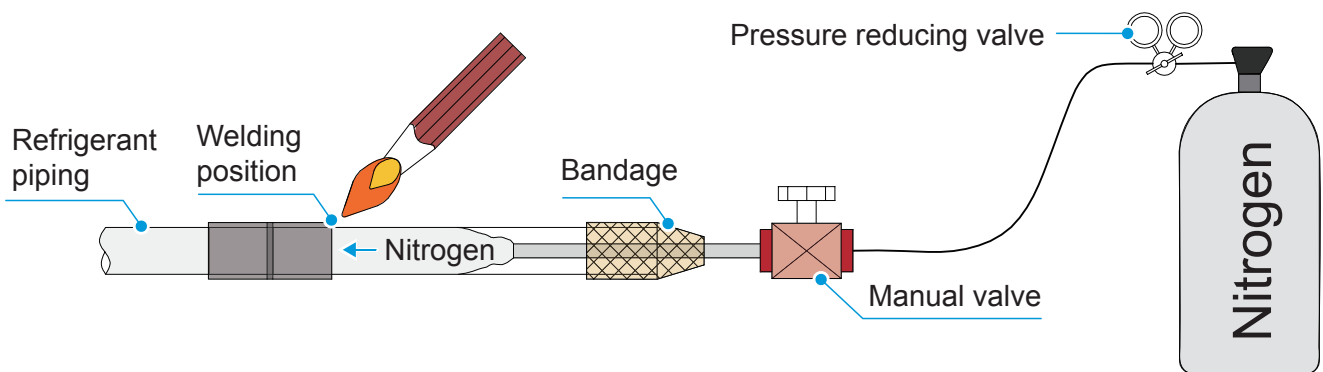
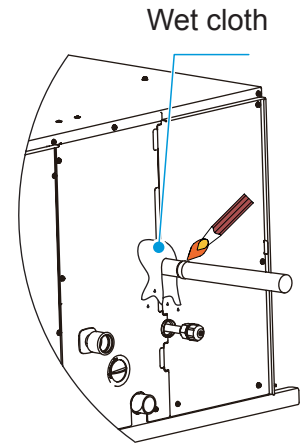
When it is necessary to fill the piping with nitrogen during welding, the pressure must be kept at 0.02MPa using a pressure relief valve.

Do not use flux when soldering the piping. Use a phosphor copper solder that does not require flux.

Do not use any antioxidants when soldering the piping. The piping may become clogged with residual antioxidants, which may block components such as electronic expansion valves during operation.

After welding is completed, continue adding nitrogen until the pipe becomes cool.

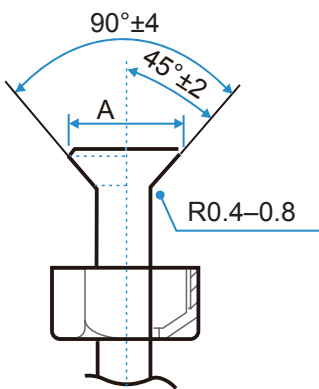
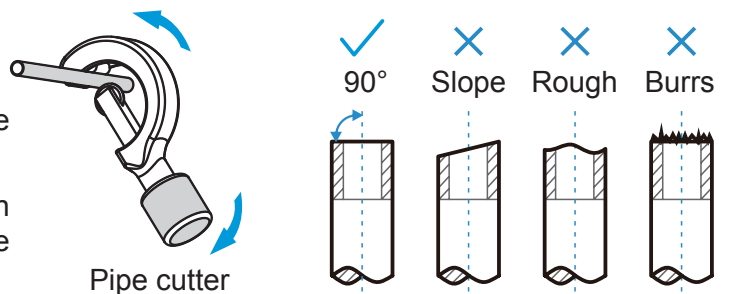
Wrap the gas pipe with a piece of wet cloth before welding to prevent the damage of the protection sponge and sensor due to high temperature. Do not remove the wet cloth before welding is completed.



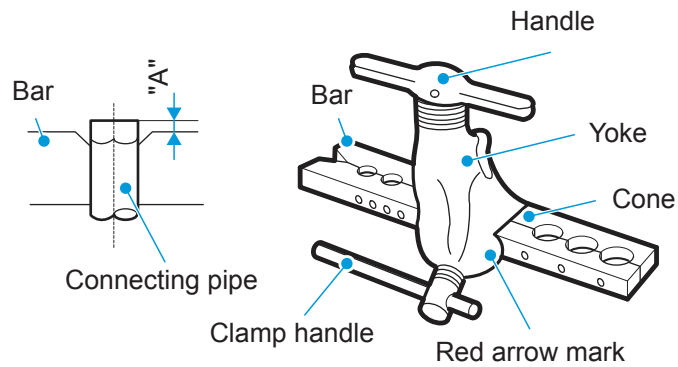
## 2 Flaring

To cut the piping with a pipe cutter, rotate the pipe cutter repeatedly.

Put the pipe into the connecting nut flaring, and both the gas pipe and liquid pipe of the indoor unit are connected by flaring.

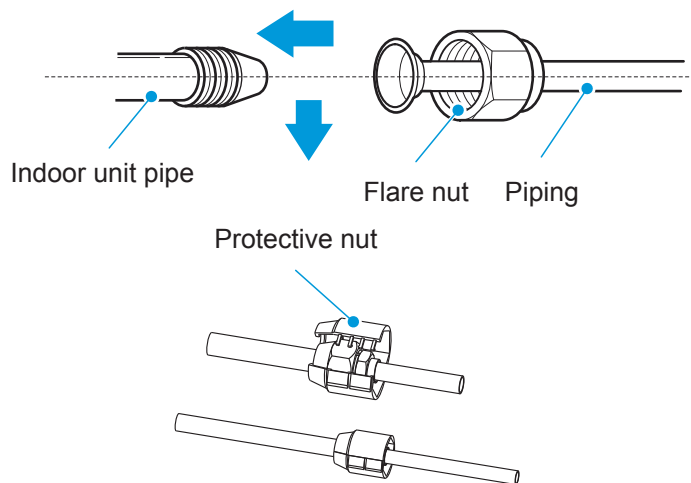
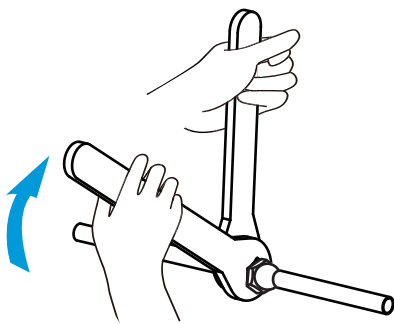


Outer diameter (mm)	A (mm)	
	Max.	Min.
Φ6.35	8.7	8.3
Φ9.52	12.4	12.0
Φ12.7	15.8	15.4
Φ15.9	19.1	18.6
Φ19.1	23.3	22.9



### 3 Nut fastening

- ① Align the connecting piping, firstly tighten most of the thread of the connecting nut by hand, and then use a wrench to tighten the last 1-2 turns of the thread as shown in the figure.
- ② The welding is done on site, and the bell mouth cannot be used indoors. (For IEC/EN 60335-2-40 except IEC 60335-2-40: 2018)
- ③ The protective nut is a one-time part, it can not be reused. In case it is removed, it should be replaced with a new one. (For IEC 60335-2-40: 2018 only)



#### Caution

Excessive torque can break nut on installation conditions.

When flared joints are reused indoors, the flare part should be re-fabricated.

Pipe size (mm)	Tightening torque [ N.m (kgf.cm)]
Φ6.35	14.2–17.2 (144–176)
Φ9.52	32.7–39.9 (333–407)
Φ12.7	49.5–60.3 (504–616)
Φ15.9	61.8–75.4 (630–770)
Φ19.1	97.2–118.6 (990–1210)

## Caution

Depending on the installation conditions, excessive torque will damage the flared mouth, and too small torque cannot tighten the nut, which will cause refrigerant leakage. Please refer to the above table to determine the appropriate tightening torque.

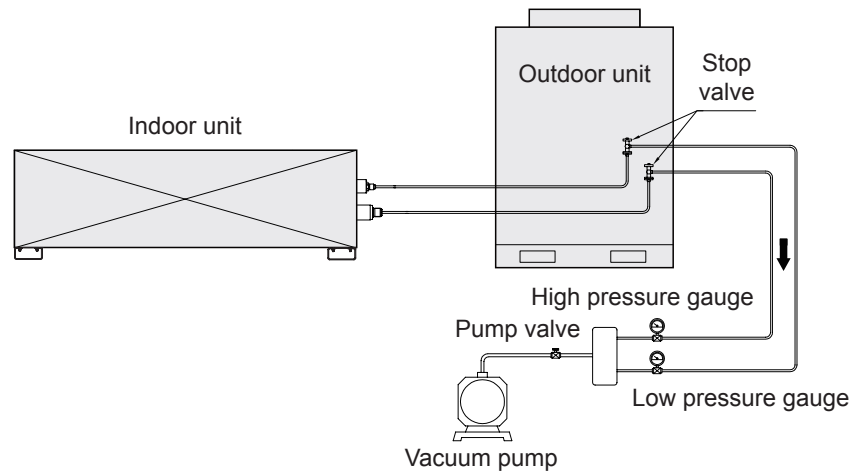
## Refrigerant Piping Fixing

Angle iron brackets or round steel hangers should be used for fixing. When the liquid pipe and gas pipe are suspended together, the size of the liquid pipe shall prevail.

Pipe outer diameter (mm)	≤20	20~40	≥40
Horizontal pipe distance (m)	1.0	1.5	2.0
Stand pipe distance (m)	1.5	2.0	2.5

## Vacuum Pumping

Connect the vacuuming unit through a manifold to the service port of all stop valves.



## Caution

Do not purge the air with refrigerant of outdoor unit, it will cause the system malfunction.

## Leak Detection

The leak test must satisfy the specifications of EN378-2.

### 1 To check for leaks: Vacuum leak test

- ① Evacuate the system from the liquid and gas piping to  $-100.7 \text{ kPa}$  ( $-1.007 \text{ bar}$ ) ( $5 \text{ Torr absolute}$ ) for more than 2 hours.
- ② Once reached, turn off the vacuum pump and check that the pressure does not rise for at least 1 minute.
- ③ Should the pressure rise, the system may either contain moisture (see vacuum drying below) or have leaks.

## 2 To check for leaks: Pressure leak test

- ① Test for leaks by applying a bubble test solution to all piping connections.
- ② Discharge all nitrogen gas.
- ③ Break the vacuum by pressurising with nitrogen gas to a minimum gauge pressure of 0.2 MPa (2 bar). Never set the gauge pressure higher than the maximum operation pressure of the unit, i.e. 4.0 MPa (40 bar).

### Note

ALWAYS use a recommended bubble test solution from your wholesaler.

NEVER use soap water:


Soap water may cause cracking of components, such as flare nuts or stop valve caps.

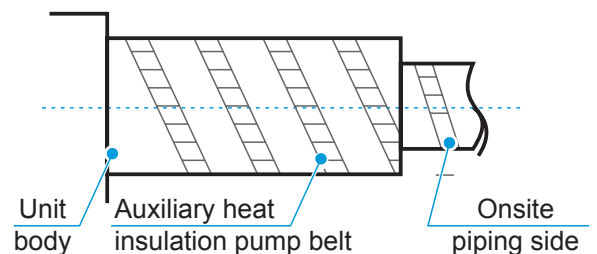
Soap water may contain salt, which absorbs moisture that will freeze when the piping gets cold.

Soap water contains ammonia which may lead to corrosion of flared joints (between the brass flare nut and the copper flare).

## Heat Insulation Treatment

Pipes on the liquid and air sides have a low temperature during cooling. Take sufficient insulation measures to prevent condensation.

- 
- Be sure to use a thermal insulation material with a heat resistance of 120°C or higher for the gas pipe.
  - The attached insulation material for the part of the indoor unit where the pipe connects must undergo heat insulation treatment that leaves no gaps.
  - For outdoor pipelines, additional protective treatments should be performed, such as adding metal duct boxes or wrapping the pipes with aluminum foil materials. Thermal insulation materials directly exposed to the open air will degrade and lose their insulating properties.





# 6 Drain Pipe Installation

## ⚠ Caution

Before installation of the condensate pipeline, determine its direction and elevation to avoid intersection with other pipelines to ensure that the slope is straight.

The highest point of the drain pipe should be equipped with a vent port to ensure the smooth drainage of condensate water, and the vent port must face downwards to prevent dirt from entering the pipe.

Do not connect the drain pipe to the wastewater pipe, sewage pipe, or other pipes that produce corrosive gases or odors. Otherwise, the indoor unit (especially the heat exchanger) may be corroded and odor may enter the room, negatively impacting the heat exchange effects and user experience. The user will assume responsibility for any consequences resulting from failure to abide by instructions.

After the pipeline connection is completed, a water test and a full water test should be done to check whether the drainage is smooth and whether the pipeline system leaks.

The air conditioner drain pipe must be installed separately from other sewage pipes, rainwater pipes and drain pipes in the building.

Adverse slope, convex and concave pipes are prohibited, as improper airflow will cause poor drainage.

Drainage pipes need to be evenly wrapped with thermal insulation pipes to prevent condensation.

Please connect the drain pipes in the following ways. Improper installation of the pipes may result in water leakage and damage to furniture and property.

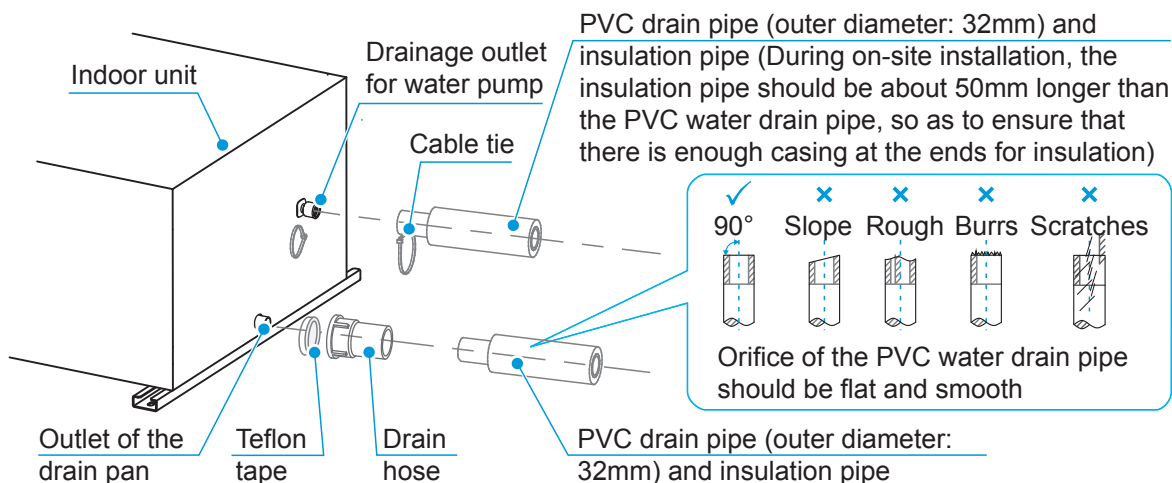
All joints of the drainage system must be sealed to prevent water leakage.

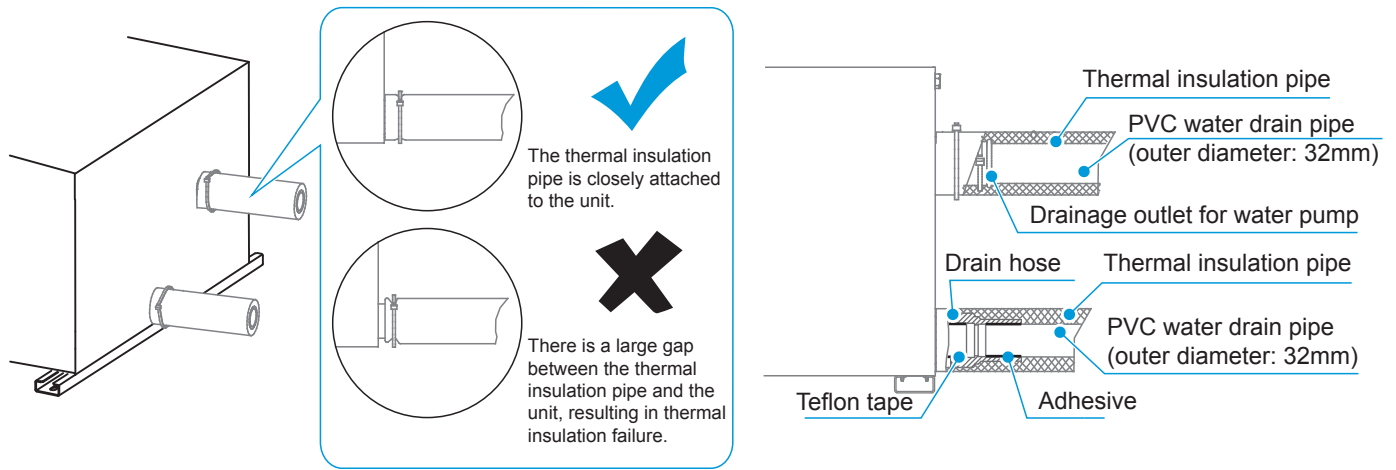
## Installation of Water Drain Pipe for the Indoor Unit

Units without pumps: Use the drain hose to connect the outlet of the drain pan. Use a thread connection between the outlet of the drain pan and the drain hose. Use a Teflon tape between threads. Connect the drain hose and the PVC drain pipe with adhesive. Push the thermal insulation pipe until it is closely attached to the main body, and finally fasten the end with a cable tie.

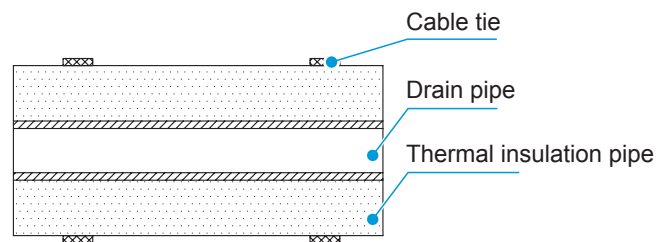
①

Units with pumps: Connect a PVC pipe to the water pump outlet, and fasten it with a cable tie. Then push the thermal insulation pipe until it is closely attached to the main body, and finally fasten the end with a cable tie.

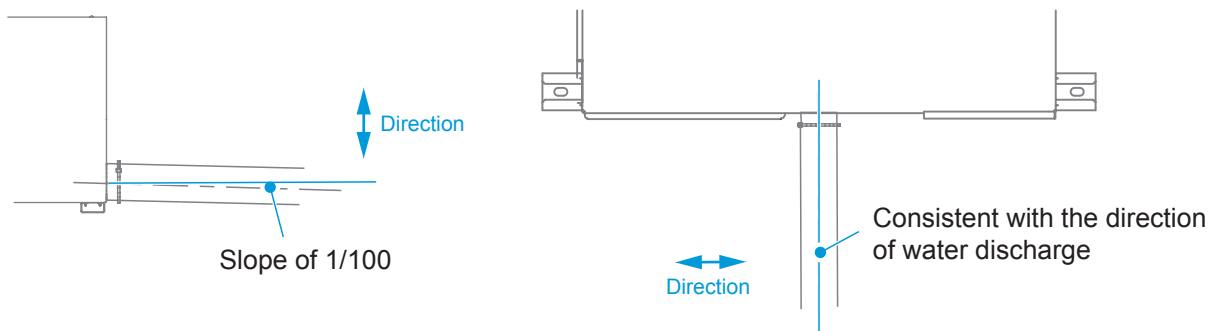




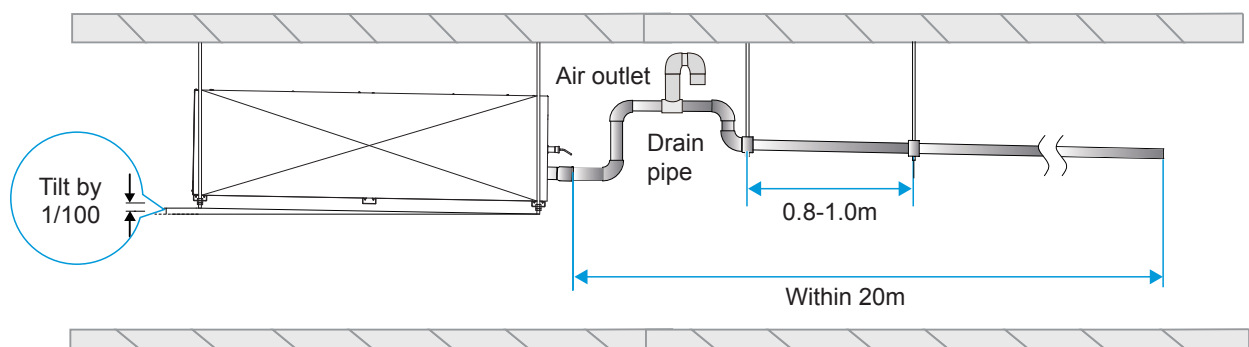
- ② The water pump connecting pipe and drain pipe (in the indoor part) must be wrapped with heat insulation pipe evenly and bound with cable ties to prevent air from entering and producing condensate.



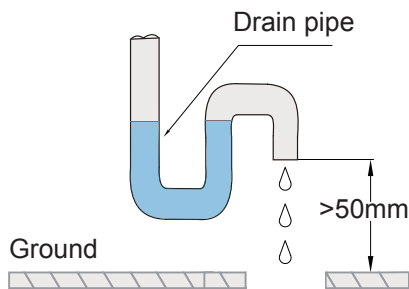
- ③ To prevent water from flowing back into the air conditioner when it stops running, the drain pipe should be inclined downward to the outdoor side (drainage side), with a downward slope of 1/100 or above. The drain pipe should be positioned in the same direction as the drainage outlet of the unit in the left and right direction, so that the drain pipe does not expand and collect water; otherwise, it may cause abnormal noise.



- ④ When connecting the drain pipe, do not pull the drain pipe forcefully, or it may become loose. The lateral length of the drain pipe should be within 20m, and a support point should be set every 0.8–1.0m to avoid air resistance caused by the deformation of the drain pipe. The drain pipe shall be equipped with a support point every 1.5-2.0m.

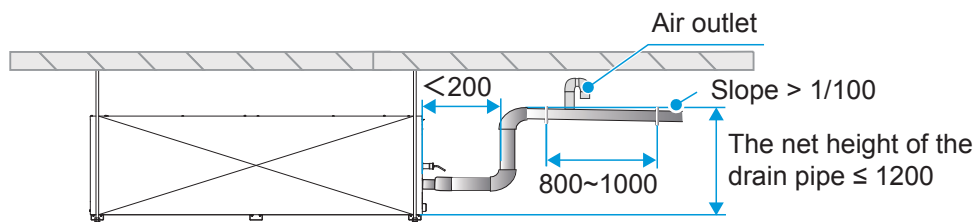


- ⑤ The end of the drain pipe must be more than 50mm above the ground or from the base of the water drainage slot. In addition, do not submerge it in water. To drain the condensed water directly into a ditch, the water drain pipe must bend upwards to form a U-shaped water plug to stop odors from entering the room via the water drain pipe.

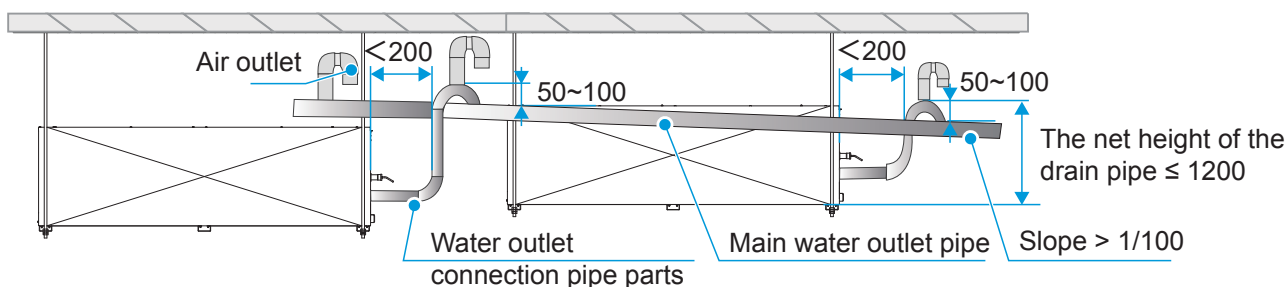


- Method to drain water with the drain pump:

(Unit: mm)

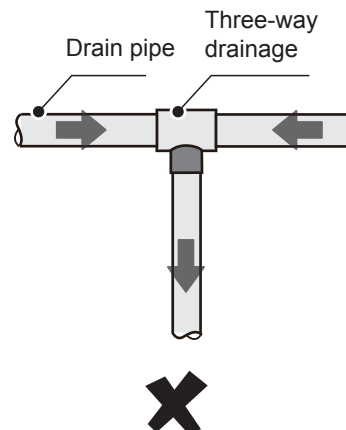
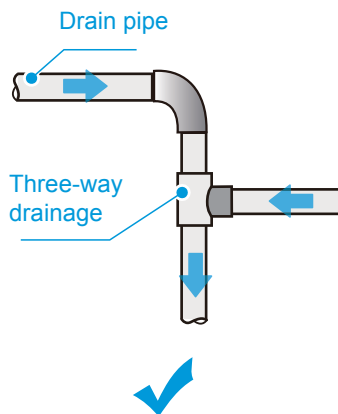
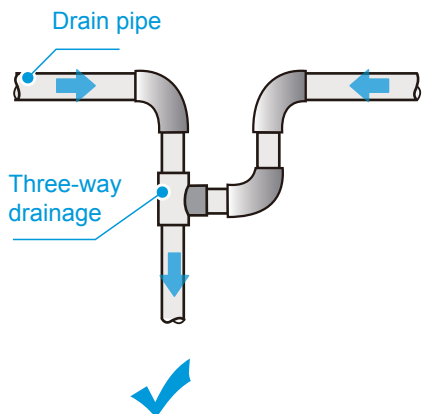


How to connect the drain pipe for the drain pump of a single unit



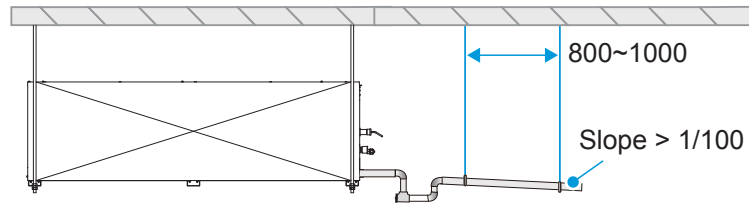
Drain pipes from drain pumps of multiple units are connected to the main drainage pipe to be discharged through the sewage pipe.

- Hedging must be prevented for horizontal drain pipes to avoid adverse slopes and poor drainage.

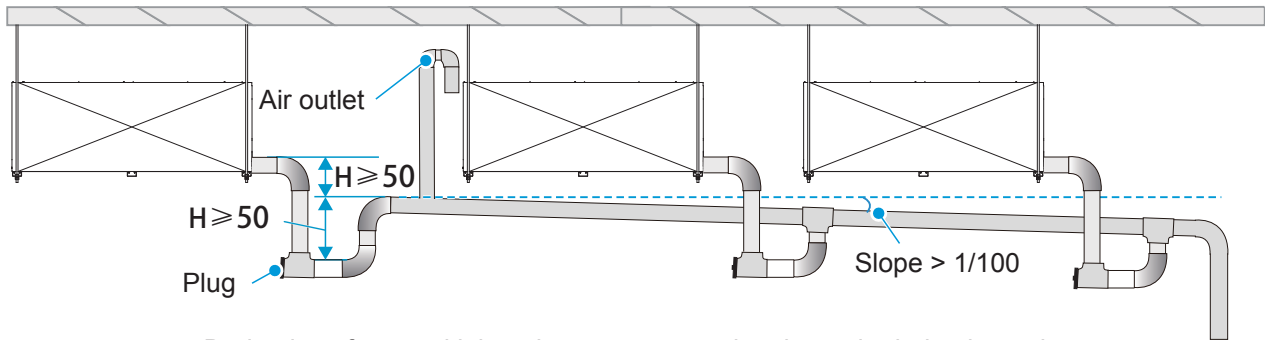


- How to drain water without the drain pump:

(Unit: mm)



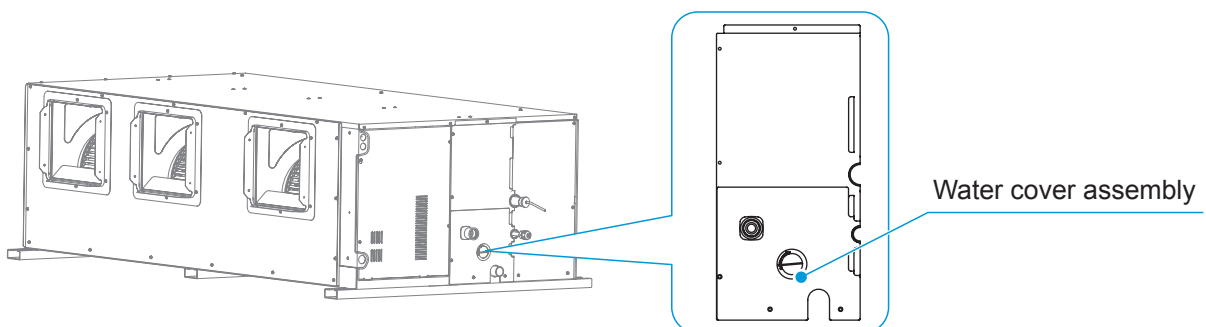
Method to connect the drain pipe for a single unit

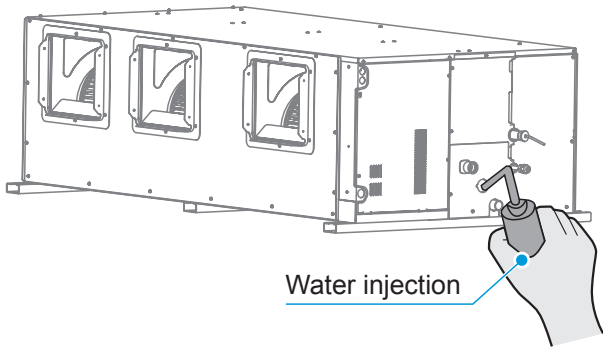


Drain pipes from multiple units are connected to the main drain pipe to be drained through the sewage pipe.

## Water Drainage Test

- ① Before the test, make sure that the water drain piping is smooth, and check that each connection is properly sealed.
- ② Conduct the water drainage test in a new room before the ceiling is plastered.
  - Inject water into the drain pan with the water injection pipe. The amount of water injected is shown in the table below.
  - Connect the power supply, and set the air conditioner to operate in cooling mode. Check whether drainage outlets normally drain water (based on drain pipe length, water will be drained 1 minute later), and check connectors for leakage.
  - If water is drained through the indoor unit drain pump, loosen the water cover (black round plastic piece) on the unit during the drainage test and check whether the drain pump is operating. If the drain pump has not been started, check whether the drain pump has malfunctioned. Note: The drain pump only starts in cooling mode. While in heating mode, the drain pump remains turned off. After the water drainage test is completed, install the water cover assembly in position. For details on the water cover assembly and the water injection pipe, see figure below.



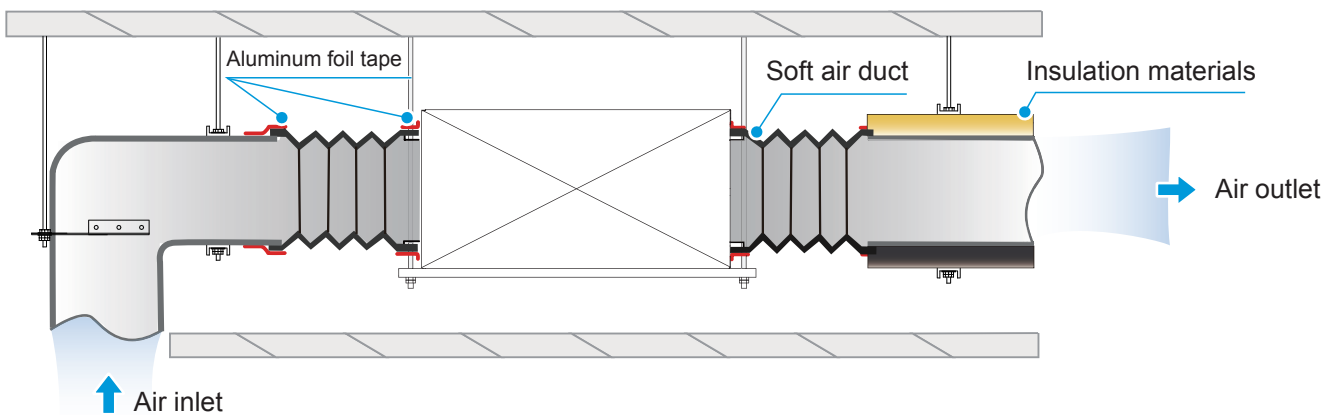


Water injection amount: (Unit: ml)

Indoor unit capacity (kW)	Water injection amount
$20.0 \leq kW \leq 33.5$	4000
$33.5 < kW \leq 56.0$	5000

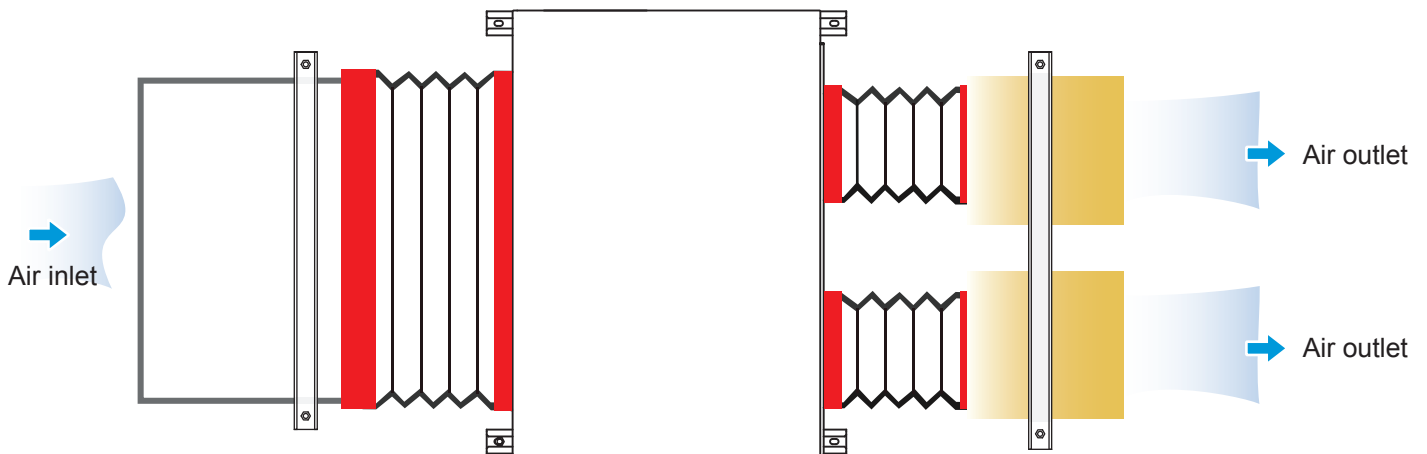
## 7 Air Duct Installation

- ✓ Please use locally purchased air ducts and soft air ducts (Use environmentally friendly, odorless materials, otherwise the air conditioner may generate odor when it runs).
- ✓ Install the flange at the air return side, and use aluminum foil tape to seal the connection part between the flange and the air duct to avoid air leakage.
- ✓ Use aluminum foil tape to seal the connection part between the flange at the air supply side and the air duct to avoid air leakage.
- ✓ The air ducts on the air supply side shall be insulated to prevent condensation.
- ✓ When installing the air duct and its components, need to fix and adjust the supports and suspension brackets to ensure they are in the right position and subject to uniform force.
- ✓ Make sure that the air duct and its components are clean before installation.
- ✓ After installation, carry out the air tightness test on the air duct to ensure its air leakage meets China's standards.

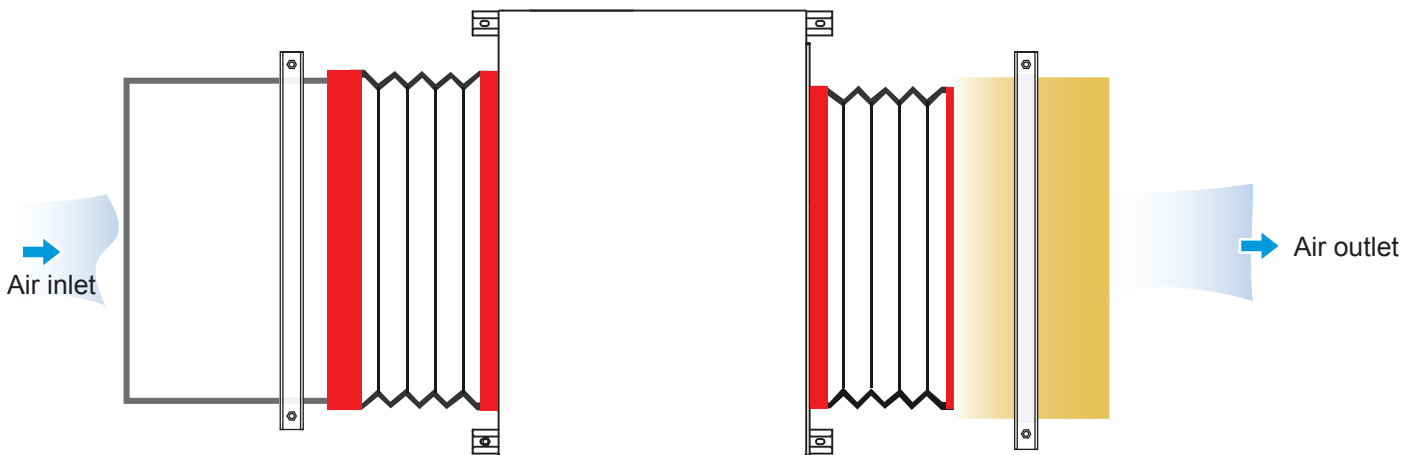


The air outlet duct can be installed in two ways:

Method 1: Connect an air duct to each air outlet.



Method 2: Remove the flange at the air outlet and connect the air duct as a whole (refer to the product dimensions in this Manual for the dimensions of the air duct installation hole).



### Caution

Connect the air outlet and air inlet to the ceiling opening properly to avoid short circuit. (See the figure below)

Use canvas or soft air duct to connect the indoor unit and air duct at a distance (width) of 150-300mm.

Do not lay wires, cables or other pipes containing toxic, flammable, and explosive gases or liquids inside the air ducts.

The air duct regulating device shall be installed in a position that is easily accessible, flexible, and reliable.

The air duct should be securely connected to the vent.

The frame shall fit snugly into the building decoration, and should appear neat and flexible. It shall not be twisted or warped.

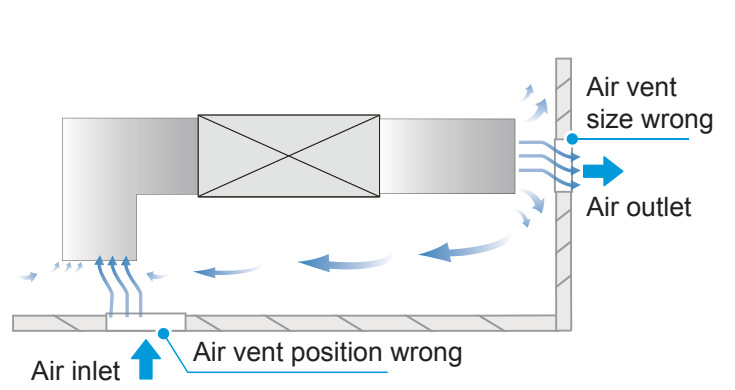
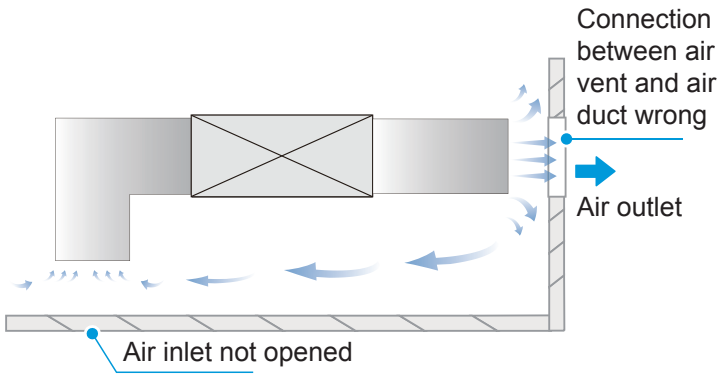
If the air vent is installed horizontally, its deviation shall not exceed 3/1000; if installed vertically, its deviation shall not exceed 2/1000.

All the air vents in one room shall be neatly installed at the same height.

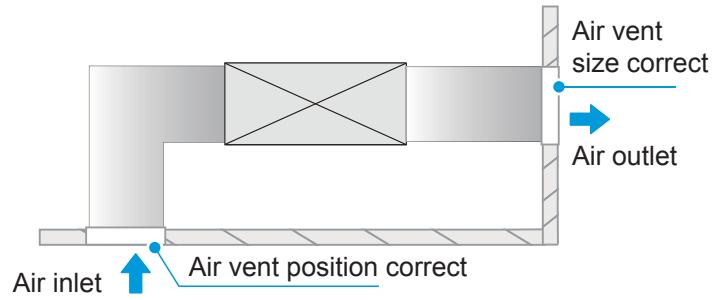
All metal accessories (including supports, suspension brackets, and brackets) for the piping system shall undergo anti-corrosion treatment.

Connection between air vent and air duct wrong

Air vent size and position wrong



Air vent size and position correct



# 8 Electrical Connection

## Danger

The power supply must be cut off before any electrical work is carried out. Do not conduct electrical work when the power is on; otherwise, it may cause serious personal injury.

The air conditioning unit must be earthed reliably and must meet the requirements of the local country/region. If the earthing is not reliable, serious personal injury due to electric leakage may occur.

## Warning

Installation, inspection or maintenance operations must be completed by professional technicians. All parts and materials must comply with the relevant regulations of the local country/region.

The air conditioning unit must be equipped with a special power supply, and the power supply voltage should conform to the nominal working voltage range of the air conditioning unit.

The power supply of the air conditioning unit must be equipped with a power disconnect device that conforms to the requirements of relevant local technical standards for electrical equipment. The power disconnecting device must be equipped with short circuit protection, overload protection and electric leakage protection. The clearance between open contacts of the power disconnecting device shall be at least 3mm.

The core of the power supply cable must be made of copper, and the wire diameter should meet the current-carrying requirements. For details, refer to the “Power supply cable Diameter and Electric Leakage Protector Selection”. A wire diameter that is too small may cause the power supply cable to heat up, resulting in a fire.

The power supply cable and the earth wires should be secured reliably to avoid stress on the terminals. Do not pull the power supply cable forcibly; otherwise, the wiring may become loosened or the terminal blocks may be damaged.

Strong current wires such as power supply cable cannot be connected to weak current wires such as communication wiring; otherwise, the product may be seriously damaged.

Do not bond and connect the power supply cable. Bonding and connecting the power supply cable may cause it to heat up, resulting in a fire.

## Caution

Avoid bonding and connecting the communication wiring. If doing so is unavoidable, at the very least, ensure a reliable connection by crimping or soldering and make sure the copper wire at the connection is not exposed; otherwise, communication failure may occur.

The power supply cable and communication wiring must be routed separately, with a distance of over 5 cm. Otherwise, communication failure may occur.

Keep the vicinity of the air conditioning unit as clean as possible to avoid small animals from nesting and biting the cables. If a small animal touches or bites the cables, short circuiting or electric leakage may occur.

Do not connect the earth wires to the gas pipe, water pipe, lightning rod earth wires or telephone earth wires.

Gas pipe: Risk of explosion and fire when gas leaks.

Water pipe: If rigid plastic pipes are used, there will be no earthing effect.

Lightning rod earth wires or telephone earth wires: In the event of lightning strikes, abnormal earth potential may rise.

After all wiring is completed, check carefully before turning on the power supply.



## Electrical Characteristics

Capacity (kW)	Electric specifications of the indoor unit					
	Frequency (Hz)	Voltage (V)	MCA (A)	MFA (A)	IFM power input(W)	FLA (A)
20.0	50	220~240	8.19	30	920	6.55
25.2			8.19		920	6.55
28.0			8.19		920	6.55
40.0			12.98		2300	10.38
45.0			12.98		2300	10.38
56.0			15.49		2300	12.39

### Notes:

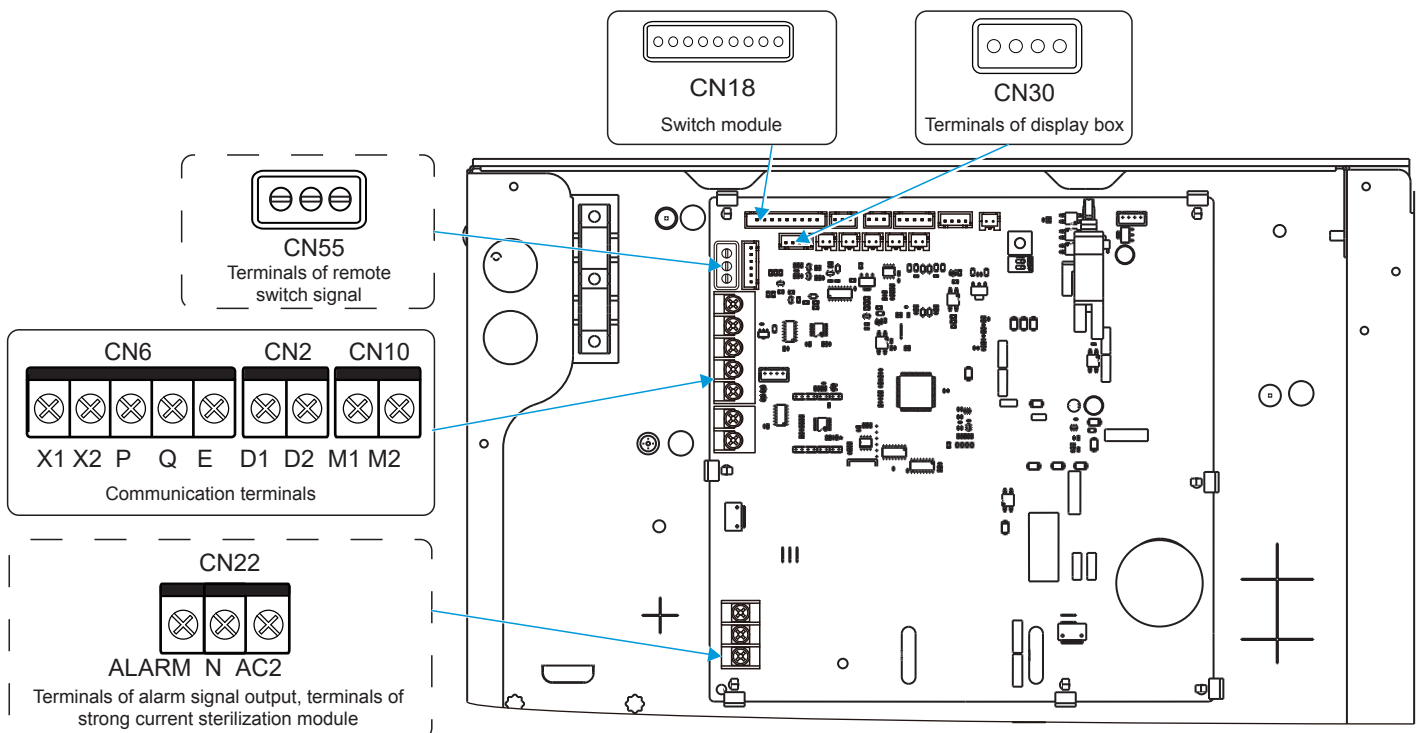
MCA: Min. Circuit Amps. (A), which is used to select the minimum circuit size to ensure safe operation over a long period of time.

MFA: Max. Fuse Amps. (A), which is used to select the circuit breaker.

IFM power input: full load power input of the indoor fan motor (reliable operation at the fastest speed setting).

FLA: Full Load Amps. (A), which is the full load current of the indoor fan motor (reliable operation at the fastest speed setting).

## Schematic Figure of the Main Terminal Blocks of Main Control Board



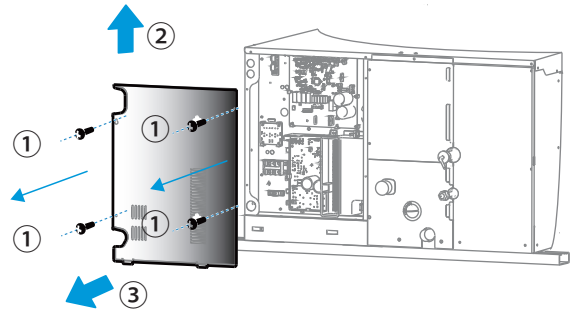
## ⚠ Caution



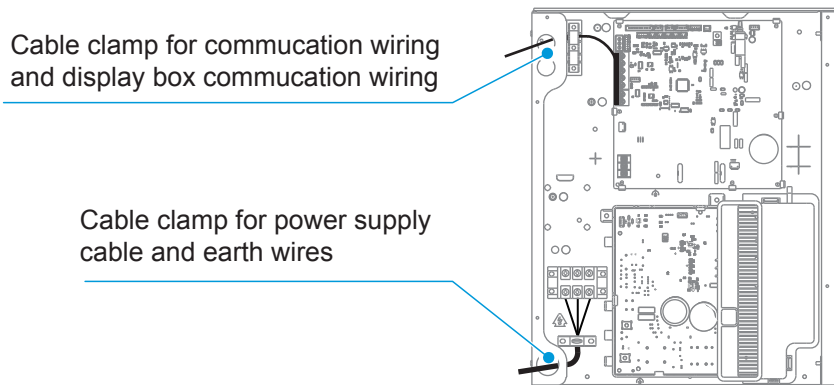
All weak point connection points meet SELV, such as X1, X2, P, Q, E, M1, M2, CN18, CN55 etc.

## Wiring

- 1 Open the indoor unit's electric control box cover.
  - ① Remove the four screws at the positions shown in the figure;
  - ② Lift the cover of the electric control box;
  - ③ Remove the electric control box cover.



- 2 Connect the strong current wires (power supply cable, alarm signal output wires, and strong current sterilization wires) and weak current wires (communication wiring, display box communication wiring, remote switch communication wiring, expansion board communication wiring) to the electric control box through the strong and weak current inlets of electric control box.



## ⚠ Caution

Power supply cable must be routed separately from the other cable such as communication wiring and display box communication wiring.

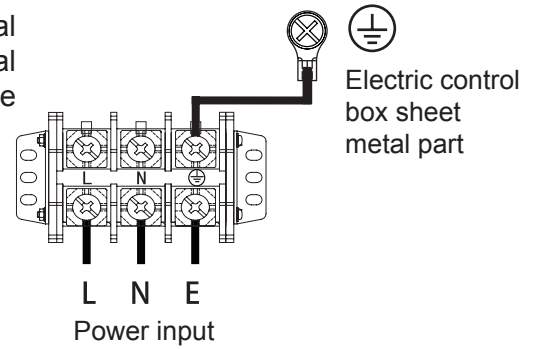
The strong and weak current wires must be separated.

The alarm signal output wires, strong current sterilization module, remote switch and expansion board are optional.

### 3 Power supply cable connection

#### ① Connection between the power supply cable and power supply terminal

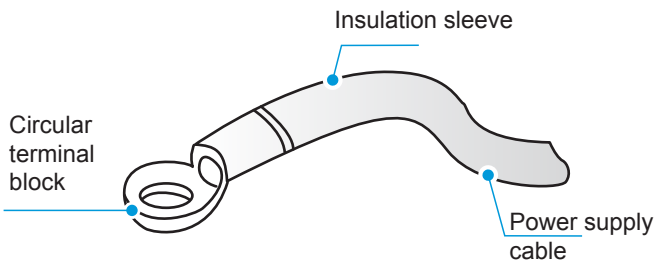
The power supply terminal of the indoor unit is fixed on the terminal block, The live and neutral wires are connected according to the terminal block logos “L” and “N”, and the earth wires is directly connected to the electric control box sheet metal part.



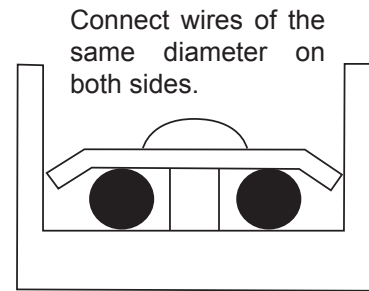
#### ⚠ Caution

**A** Do not bond and connect the power supply cable. Bonding and connecting the power supply cable may cause it to heat up, resulting in a fire.

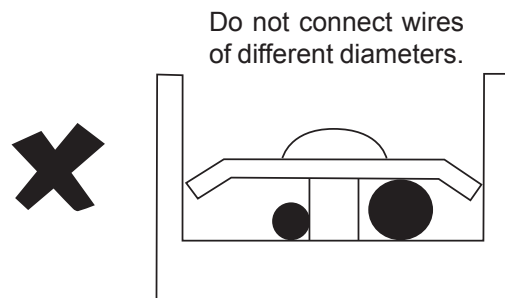
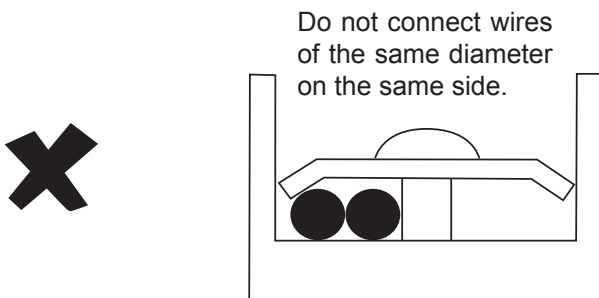
**B** The power supply cable must be crimped reliably using an insulated circular terminal block, and then connected to the power supply terminal of the indoor unit, as shown in the figure below.



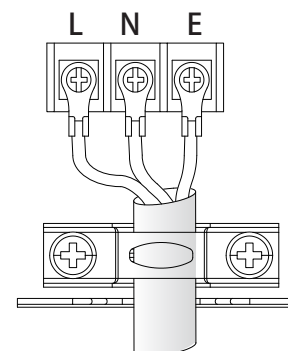
**C** If it fails to crimp the insulated circular terminal block due to on-site limitations, connect the power supply cable of the same diameter to both sides of the power supply terminal block of the indoor unit, as shown in the figure below.



**D** Do not press the power supply cable of the same wire diameter on the same side. Do not use two power supply cable of different wire diameters for the same terminal blocks; otherwise, they can easily loosen due to uneven pressure and cause accidents, as shown in the figure below.

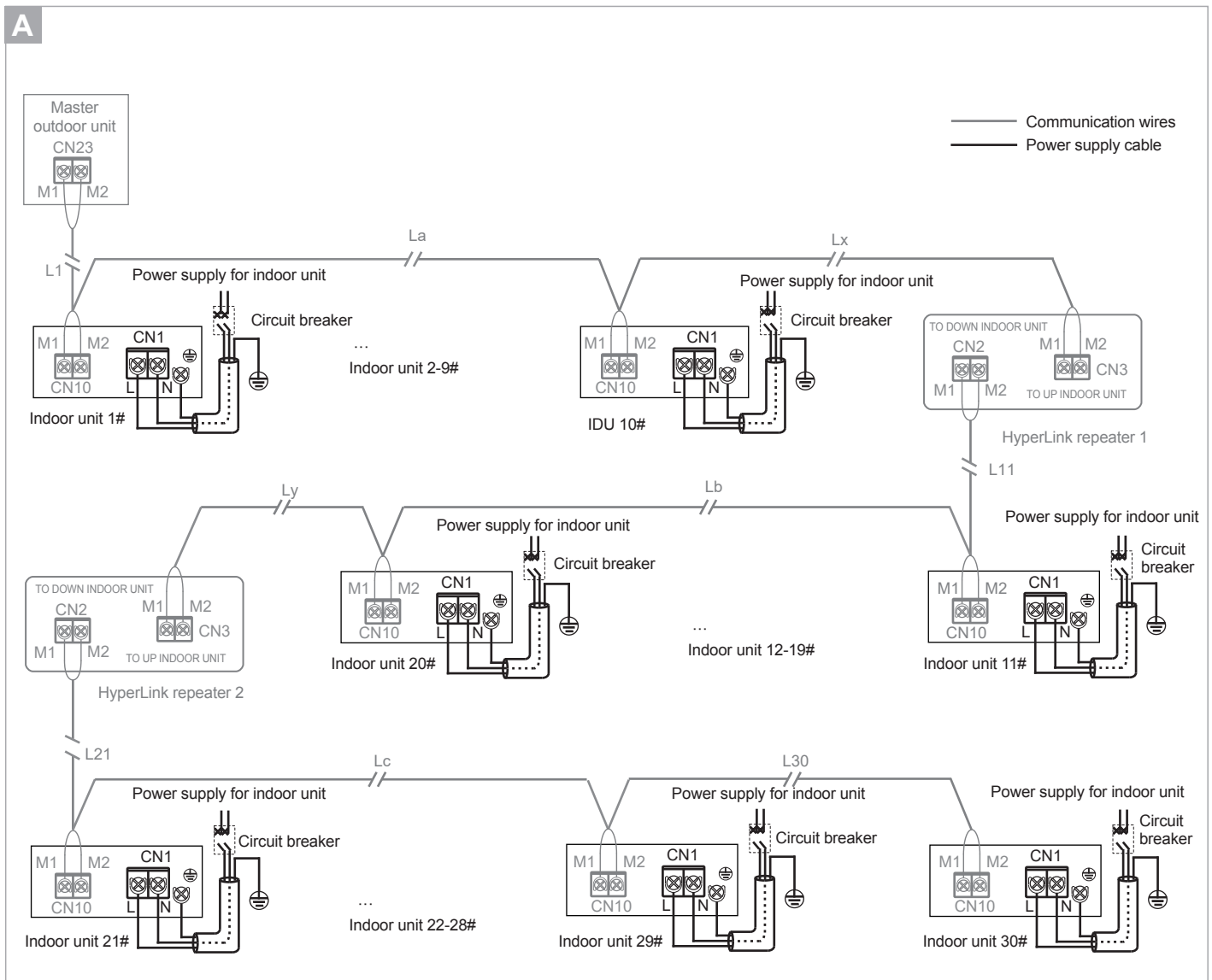


**E** The connected power supply cable should be secured with a wire clamp to prevent loosening, as shown in the right figure.



## ② Power supply cable system connection

Power supply cable system connection depends on the forms of communication between the indoor unit and outdoor unit. For the HyperLink (M1M2) communication form, indoor units are allowed to have independent power supplies. For other communication forms, indoor units should be provided with uniform power supplies.



### **⚠ Caution**

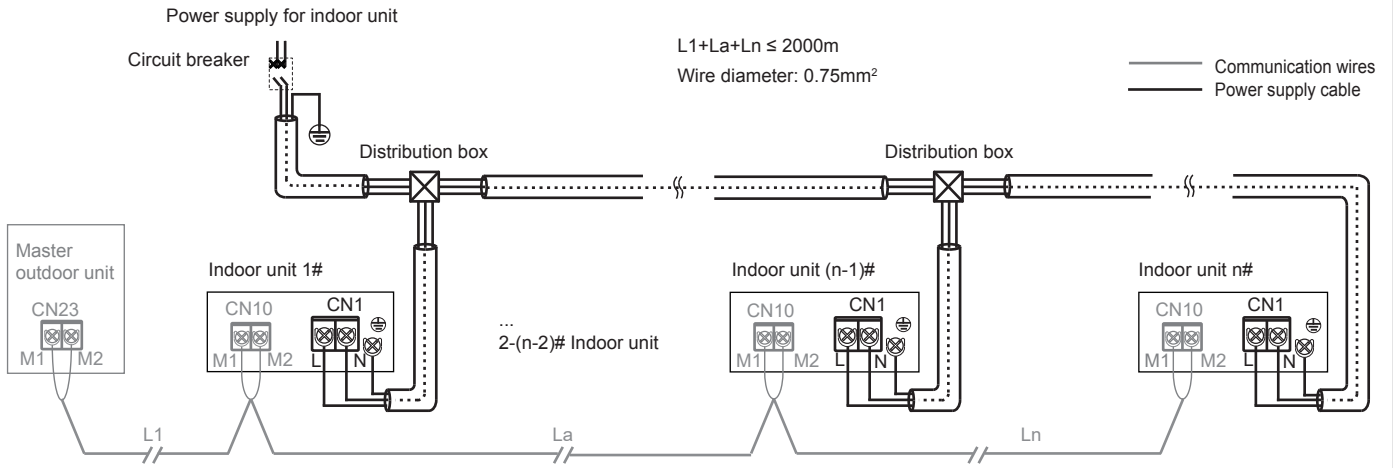
When the indoor units are provided with independent power supplies, the indoor units in the same refrigerant system should be V8 indoor units\*, and the communication between indoor units and outdoor unit adopts a HyperLink (M1M2) with an independent power supply.

This connection method has the function of an independent power supply, so in the same refrigerant system, the number of indoor units must not exceed 30 sets, and a maximum of only two repeaters may be installed\*.

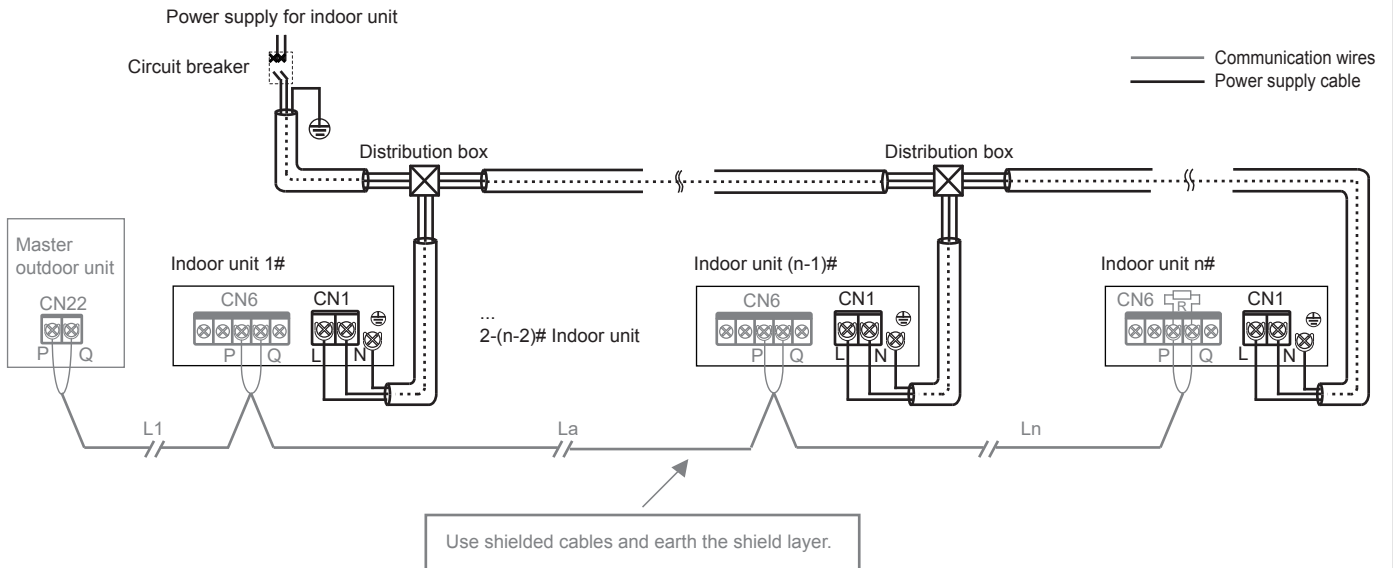
One repeater shall be added for every 10 indoor units or a communication wire length of 200m added.

**B** Indoor units are provided with unified power supply\*, which are wired as follows:

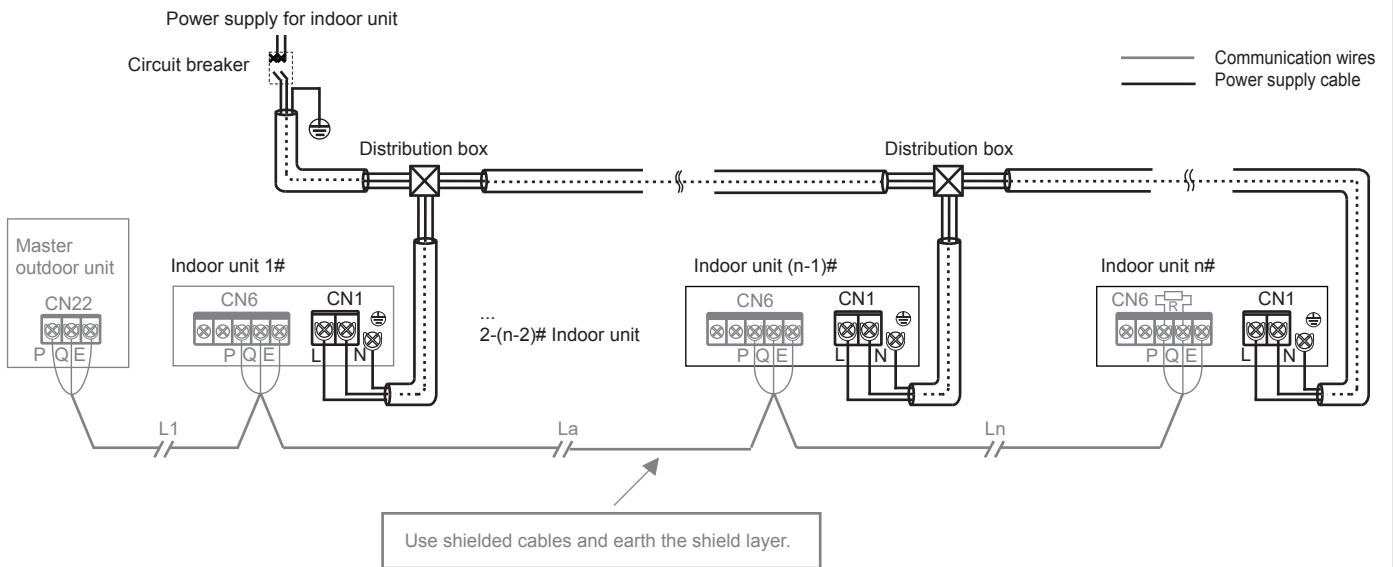
1. HyperLink (M1M2) communication with the unified power supply:



2. P/Q communication:



3. P/Q/E communication:



## Caution

When the indoor units are provided with a unified power supply, if the indoor units in the same refrigerant system are V8 indoor units, then indoor units and outdoor unit can communicate either via HyperLink (M1M2) with a unified power supply, or via P/Q. If some of the indoor units in the same refrigerant system are non-V8 series, then indoor units and outdoor unit can only communicate via P/Q/E communication.

Both P/Q communication and HyperLink (M1M2) communication are indoor and outdoor communication, and only one of them can be selected. Do not connect P/Q communication and HyperLink (M1M2) communication at the same time in the same system. Do not connect HyperLink (M1M2) communication to D1D2 communication.

## Note

V8 indoor units \*: with V8 printed on the packaging carton

Independent power supply \*: With separate circuit breakers, the power supply for each indoor unit can be controlled independently.

Unified power supply \*: All the indoor units in the system are controlled by one circuit breaker.

Repeater \*: power supply repeater, which is used to compensate for the voltage drop due to excessive length of line or line resistance when the main control board of outdoor unit provides independent power supply for indoor units through the HyperLink (M1M2) communication wiring. It is only used in refrigerant systems where indoor units are provided with an independent power supply.

# 4 Communication wiring connection

## ① Selection of communication method for indoor units

Equipped with independently developed HyperLink (M1M2) communication, V8 series indoor units also preserve the previous RS-485 (PQE) communication method. They are compatible with non-V8 indoor units. Pay attention to the type of indoor unit before connecting communication wiring. Please refer to the following table to select an appropriate communication method.

Indoor unit type	Optional communication method between indoor units and outdoor unit	Remarks
Are all the indoor units in the system V8 series	HyperLink (M1M2) communication	<ol style="list-style-type: none"><li>1. Independent power supply for indoor units*.</li><li>2. Any topology connection of communication wiring.</li><li>3. Two-core and non-polar communication for M1M2.</li></ol>
	RS-485 (PQ) communication	<ol style="list-style-type: none"><li>1. The indoor units need to be powered uniformly.</li><li>2. The communication cables must be connected in serial.</li><li>3. Two-core and non-polar communication for PQ.</li></ol>
Are some of the indoor units in the system non-V8 series	RS-485 (PQE) communication	<ol style="list-style-type: none"><li>1. The indoor units need to be powered uniformly.</li><li>2. The communication cables must be connected in serial.</li><li>3. PQE cables must be 3-core and PQ non-polar.</li></ol>

② Table of selection of communication wiring diameter

Function	Indoor unit and outdoor unit communication				One controller to one indoor unit (Two controllers to one indoor unit) Communication	One-to-more (centralized controller) Communication
	Separately	HyperLink (M1M2) communication (Indoor units are powered independently)	HyperLink (M1M2) communication (Indoor units are powered uniformly)	P/Q communication (Indoor units are powered uniformly)		
Wire diameter	2 × 1.5mm <sup>2</sup> Wire resistance ≤ 1.33Ω/100m	2 × 0.75mm <sup>2</sup>	2 × 0.75mm <sup>2</sup> (shielded cable)	3 × 0.75mm <sup>2</sup> (shielded cable)	2 × 0.75mm <sup>2</sup> (shielded cable)	2 × 0.75mm <sup>2</sup> (shielded cable)
Length	≤ 600m (add two repeaters)	≤ 2000m	≤ 1200m	≤ 1200m	≤ 200m	≤ 1200m

### Caution

Please select the communication wiring according to the requirements in the above reference table. Use shielded cables for communication when strong magnetism or interference is present.

On-site wiring must comply with the relevant regulations of the local country/region and must be completed by professionals.

Do not connect the communication wiring when the power is on.

Do not connect the power supply cable to the communication terminal; otherwise, the main control board may be damaged.

The standard value of the screw torque of the communication wiring terminal is 0.5N·m. Insufficient torque may cause poor contact; excessive torque may damage the screws and power supply terminals.

Both HyperLink (M1M2) communication and PQ communication are internal and external, so only one of the two can be selected. Do not connect both HyperLink (M1M2) communication wiring and PQ communication wiring to the same system, otherwise the indoor unit and outdoor unit cannot communicate normally.

If some of the indoor units in the same refrigerant system are non-V8 series, only P/Q/E communication can be selected for the indoor unit and outdoor unit communication. The three-core shielded cable of 3×0.75mm<sup>2</sup> is required to connect “P”, “Q”, and “E”.

Do not bundle the communication wiring with the refrigerant pipeline, power supply cable, etc. When the power supply cable and the communication wiring are laid in parallel, a distance of more than 5cm should be maintained to prevent interference from the signal source.

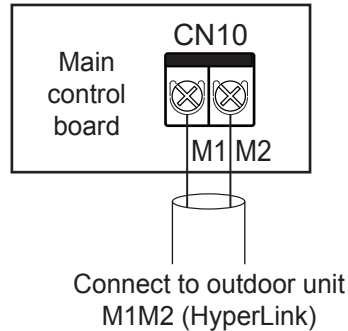
When the construction personnel of the indoor unit and outdoor unit are working separately, information communication and synchronization are required. Do not connect the outdoor unit to HyperLink (M1M2) and the indoor unit to PQ. Do not connect the outdoor unit to PQ and the indoor unit to HyperLink (M1M2).

Bonding and connecting the communication wiring should be avoided, but if it is used, at the very least, ensure a reliable connection by crimping or soldering and make sure the copper wire at the connection is not exposed; otherwise, communication failure may occur.

### ③ Indoor unit and outdoor unit communication

#### A HyperLink (M1M2) communication (with independent power supply)

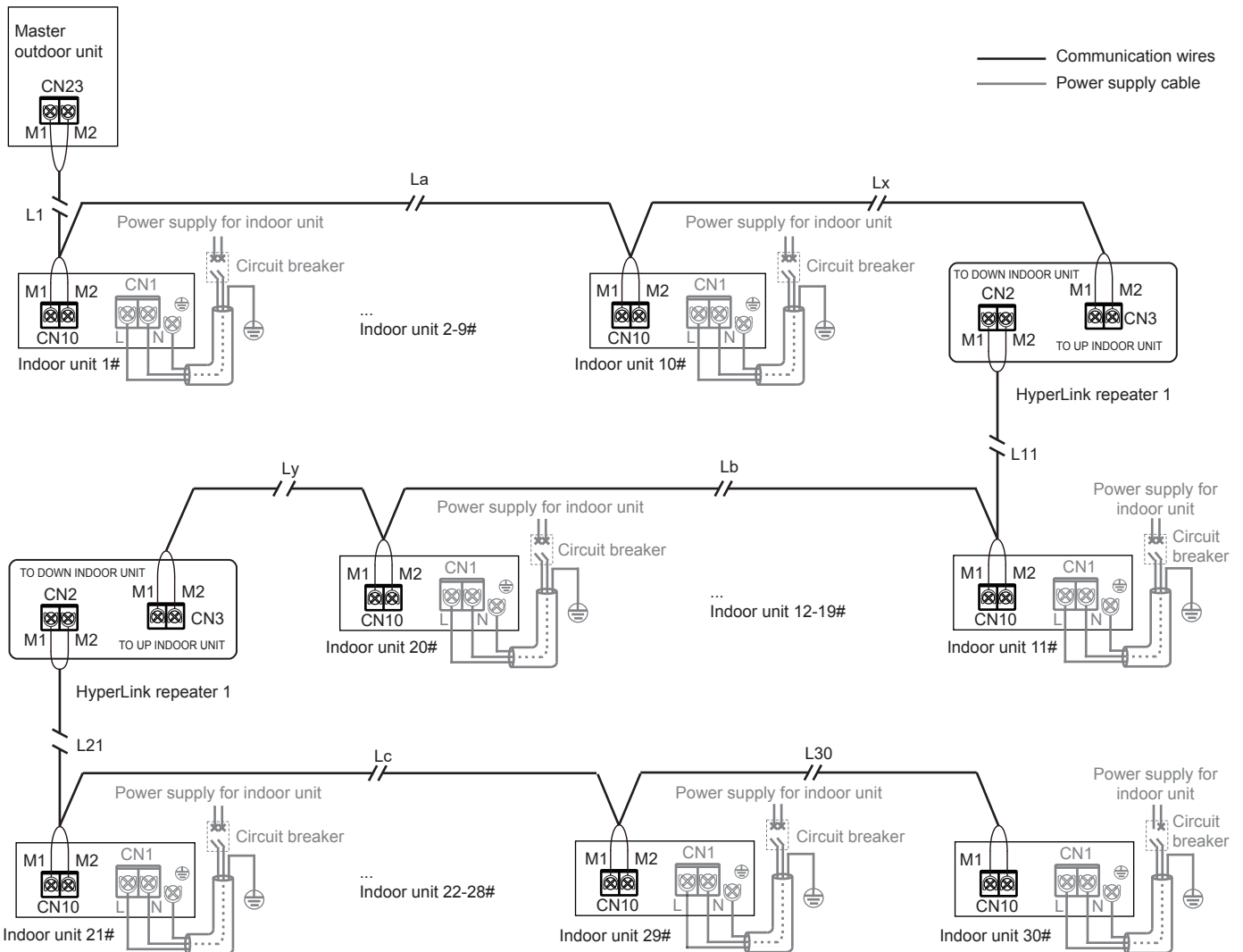
Single unit: HyperLink (M1M2) communication is a new type of indoor unit and outdoor unit communication technology. When the indoor units are provided with independent power supplies, use  $2 \times 1.5\text{mm}^2$  communication cables. M1 and M2 ports are located at terminal block "CN10" of the main control board. There is no distinction between negative and positive electrodes. For details, see the following figure:



#### ⚠ Caution

Do not connect the HyperLink (M1M2) communication wiring to the PQ or D1D2 communication wiring.

System: The HyperLink (M1M2) communication wiring with an independent power supply between indoor unit and outdoor unit can reach a length of up to 600 meters, supporting any topology connection. The following figure shows a serial connection:



$$L1+La+Lx \leq 200\text{m} \quad L11+Lb+Ly \leq 200\text{m} \quad L21+Lc+L30 \leq 200\text{m}$$

For other connection methods (tree topology, star topology, ring topology), please refer to the technical manual or consult technical personnel.



## Caution

If the total length is less than or equal to 200m and the total number of indoor units is less than or equals to 10 sets, the electronic expansion valve in indoor unit can be powered and controlled by the master outdoor unit.

If the total length is longer than 200m or the total number of indoor units is more than 10 sets, a repeater is required to increase the bus voltage.

The limit of one repeater is 200m cable length or maximum 10 indoor units.

A maximum of two repeaters can be installed in the same refrigerant system.

HyperLink (M1M2) communication can control the electronic expansion valve in indoor unit indenpently, this function requires the maximum number of indoor units in the same refrigerant system must be less than or equal to 30 sets.

The repeaters and the outdoor units must connect to an unified power supply system, or the repeater uses an uninterruptible power supply.

Refer to the Installation and Operation Manual of repeater for detail.

For one repeater application, commucation cable among the master outdoor unit, indoor units and repeater must use the CN3 port in repater, the commucation cable among repeater and the rest indoor units must use the CN2 port in repeater.

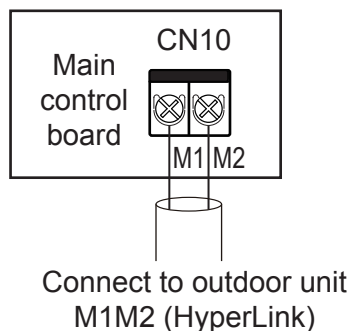
For two repeaters application, the commucation cable among the master outdoor unit, indoor units and repeater 1 must use the CN3 port in repater1, the commucation cable among repeater 1, indoor units and repeater 2 must use the CN2 port in repeater 1 and CN3 port in repeater 2.

The electronic expansion valve in indoor unit can be powered and controlled by the master outdoor unit If a separate power supply applied for indoor units.

The repeater is optional, contact dealer for detail.

## **B** HyperLink (M1M2) communication (with unified power supply)

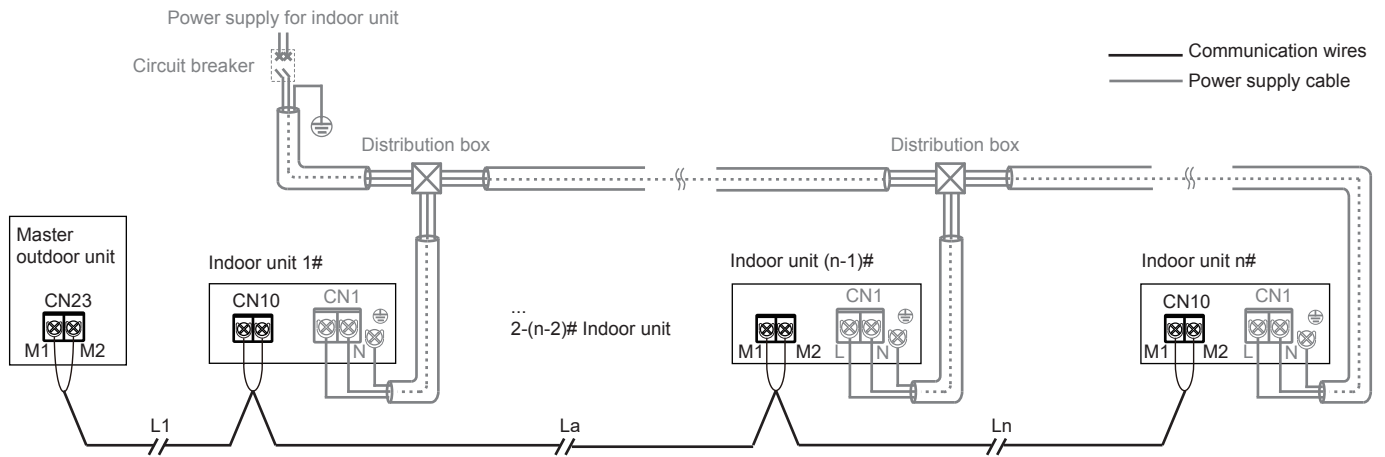
Single unit: When the indoor units are provided with unified power supply, it is not necessary for HyperLink (M1M2) communication wiring to provide an independent power supply for indoor units. In this case, use 2×0.75mm<sup>2</sup> communication cables. M1 and M2 ports are located at terminal block “CN10” of the main control board. There is no distinction between negative and positive electrodes. For details, see the following figure:



## Caution

Do not connect the HyperLink (M1M2) communication wiring to the PQ or D1D2 communication wiring.

System: The HyperLink (M1M2) communication wiring with a unified power supply between indoor unit and outdoor unit can reach a length of up to 2000 meters, supporting any topology connection. The following figure shows a serial connection:



$$L1 + La + Ln \leq 2000\text{m}$$

For other connection methods (tree topology, star topology, ring topology), please refer to the technical manual or consult technical personnel.

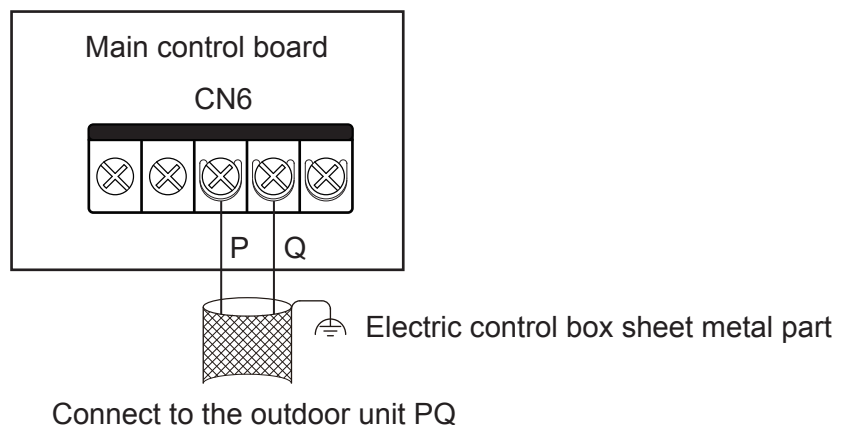
### ⚠ Caution

When HyperLink (M1M2) with a unified power supply is available, a unified power supply for indoor units is required. For details, see “Power supply cable Connection”.

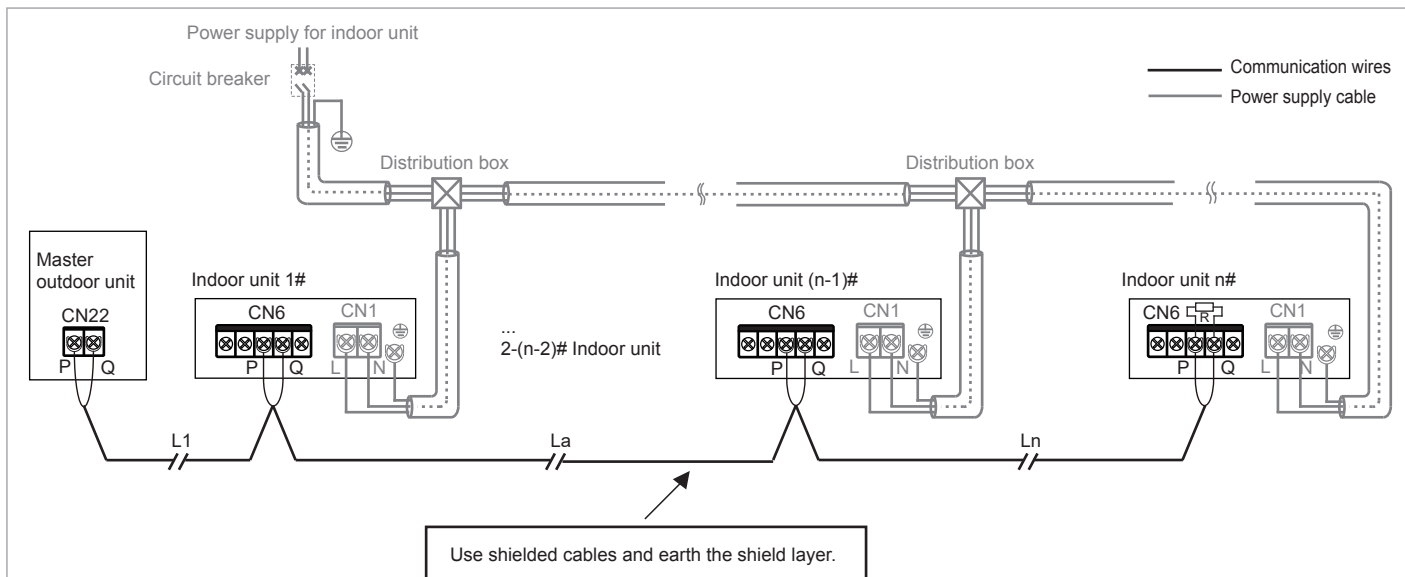
When HyperLink (M1M2) with a unified power supply is available, there is no need to connect a repeater to the system.

### C P/Q communication

Single unit: Use a shielded cable for the P/Q communication and properly earth the shield layer. P and Q ports are located at terminal block “CN6” of the main control board. There is no distinction between negative and positive electrodes. Connect the shield layer to the sheet metal of the electric control box, as shown in the following figure:



System: The maximum total length of the P/Q communication cable of the Indoor unit and outdoor unit can be up to 1200m, and can be connected in serial, as shown in the figure below:

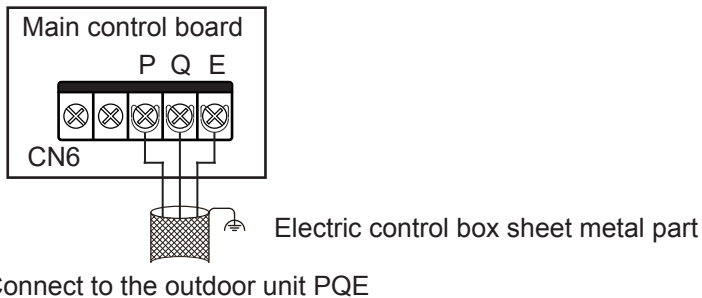


$$L1+La+Ln \leq 1200m$$

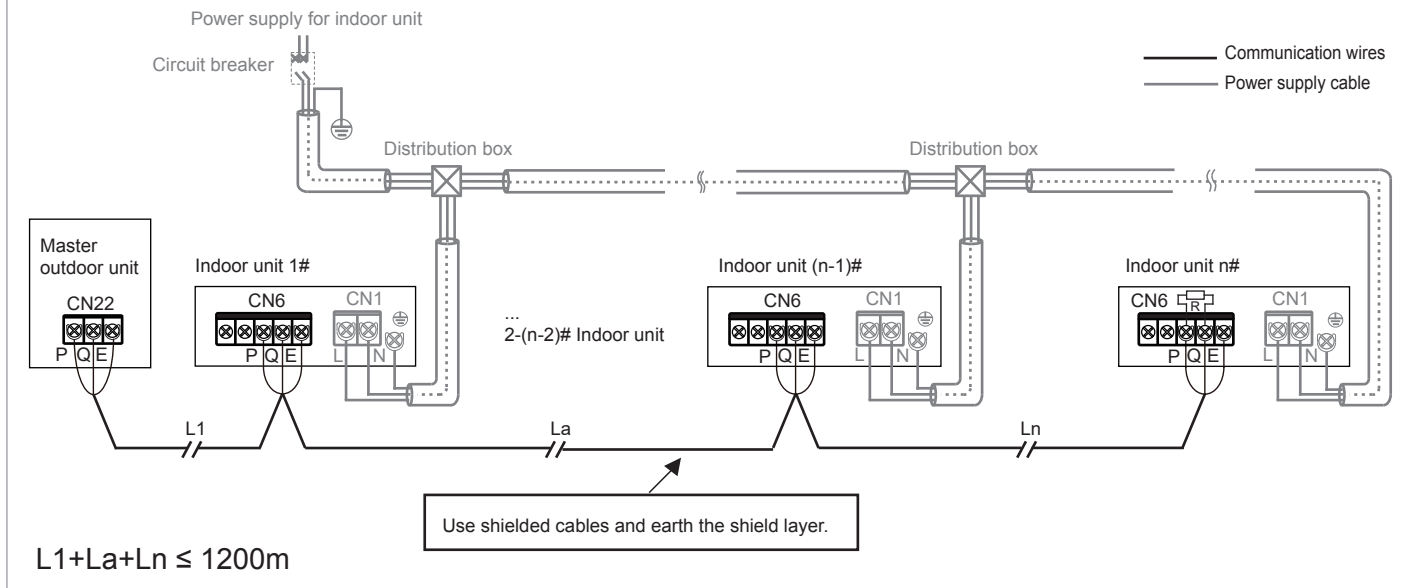
#### D P/Q/E communication

If some of the indoor units in the same refrigerant system are non-V8 series, it is required to connect "P", "Q", and "E" for P/Q/E communication.

Single unit: Use a shielded cable for the P/Q/E communication and properly earth the shield layer. P, Q, and E ports are located at terminal block "CN6" of the main control board. There is no distinction between negative and positive electrodes. Connect the shield layer to the sheet metal of the electric control box, as shown in the following figure:



System: The maximum total length of the P/Q/E communication cable of the indoor unit and outdoor unit can be up to 1200m, and can be connected in serial, as shown in the figure below:



$$L1+La+Ln \leq 1200m$$

## Caution

When P/Q or P/Q/E communication is used, the indoor units need to be powered uniformly.

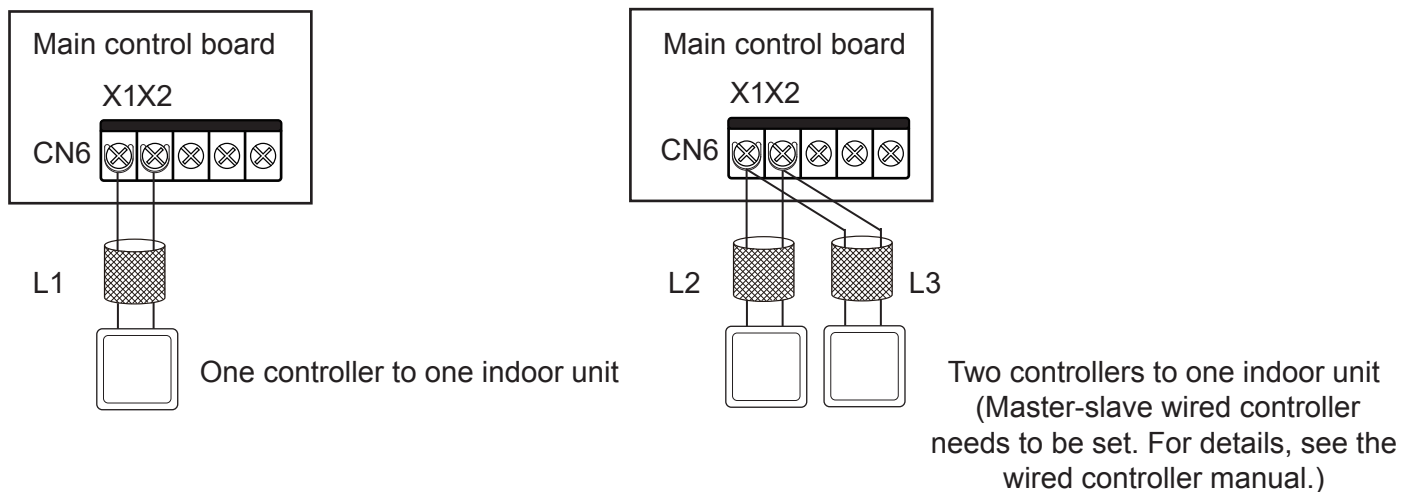
Either P/Q, P/Q/E communication or HyperLink (M1M2) communication can be selected. If it is required for indoor units to have independent power supplies, then HyperLink (M1M2) communication must be selected.

Use only shielded cables for P/Q or P/Q/E communication. Otherwise, the indoor unit and outdoor unit communication may be affected.

A matching resistor needs to be added to the last indoor unit on the PQ (in the accessory bag of the outdoor unit).

### X1/X2 communication cable connection

The X1X2 communication wiring is mainly connected to the wired controller to achieve one controller per indoor unit and two controllers per indoor unit. The total length of the X1X2 communication wiring can reach 200 meters. Please use shielded wires, but the shield layer cannot be earthed. X1 and X2 ports are located at terminal block "CN6" of the main control board. There is no distinction between negative and positive electrodes. For details, see the following figure:



$L1 \leq 200\text{m}$ ,  $L2+L3 \leq 200\text{m}$ .

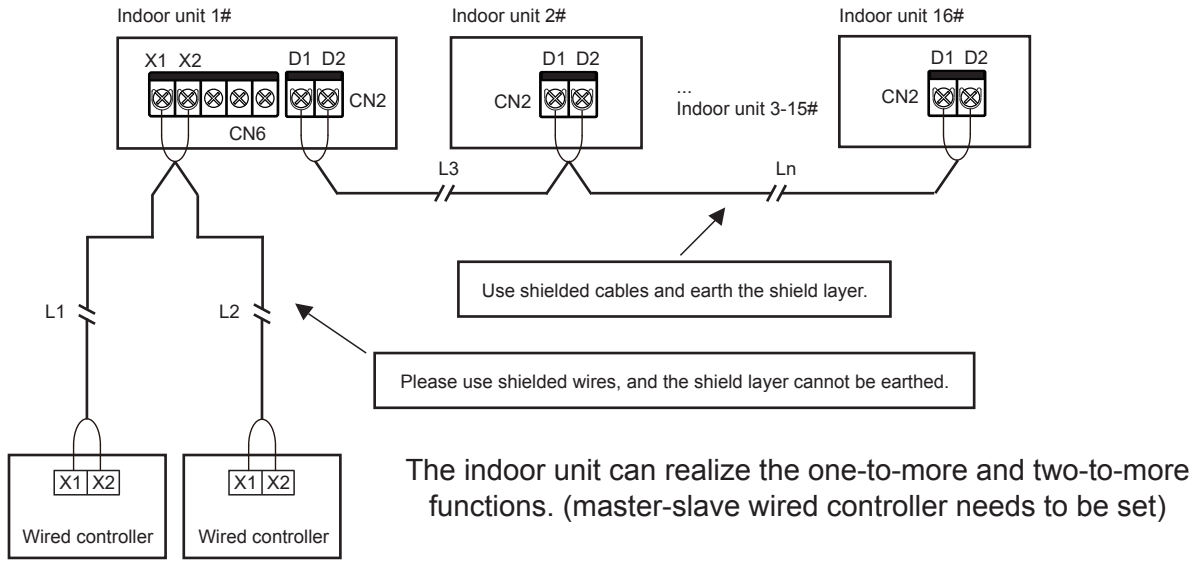
## Caution

Two wired controllers of the same model can be used to control one indoor unit at the same time. In this case, need to set one controller to be the master and the other to be the slave. For details, see the wired controller manual.

⑤ D1D2 communication wiring connection (limited to outdoor unit and system configuration)

**A** Achieving one-to-multiple and two-to-multiple functions of the indoor unit wired controller through D1D2 communication (a maximum of 16 sets)

D1D2 communication is 485 communication. The one-to-more and two-to-more functions of the indoor unit wired controller can be achieved through D1D2 communication, as shown in the figure below:



$L1+L2 \leq 200m$ ,  $L3+Ln \leq 1200m$

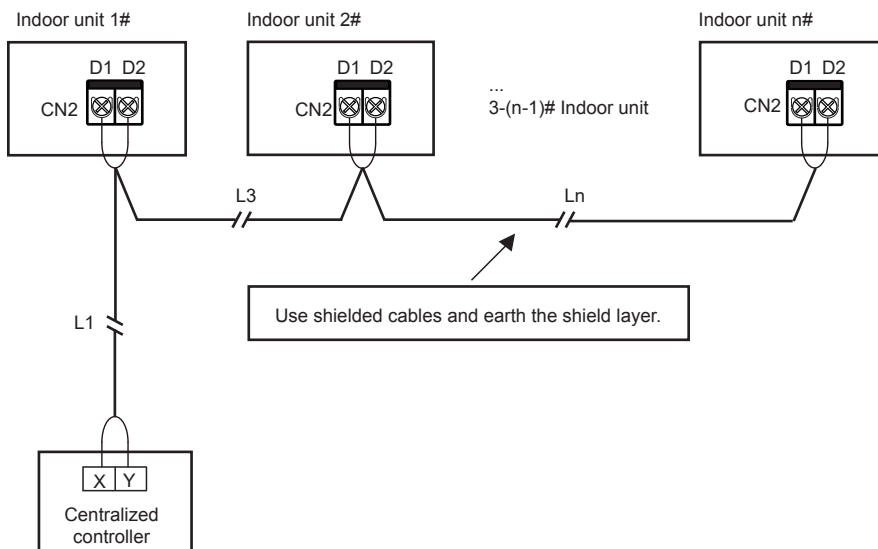
**! Caution**

When the indoor units in the same refrigerant system are V8 indoor units, D1D2 communication can enable one-to-multiple and two-to-multiple functions of the indoor unit wired controller.

To enable two-to-multiple functions, wired controllers must be of the same model.

**B** Achieving centralized control of the indoor unit through D1D2 communication

The D1D2 communication wiring can also be connected to the centralized controller to achieve centralized control of the indoor unit, as shown in the figure below:



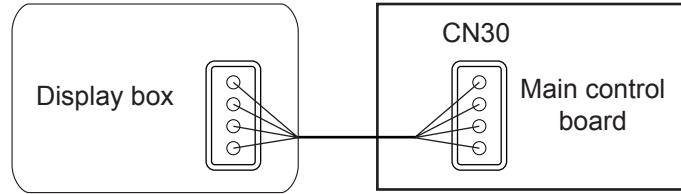
$L1+L3+Ln \leq 1200m$

## 5 External board connection (limited to outdoor unit and system configuration)

The external board is a connection module outside the main control board, including a display box, Switch module, 1# Expansion board and 2# Expansion board.

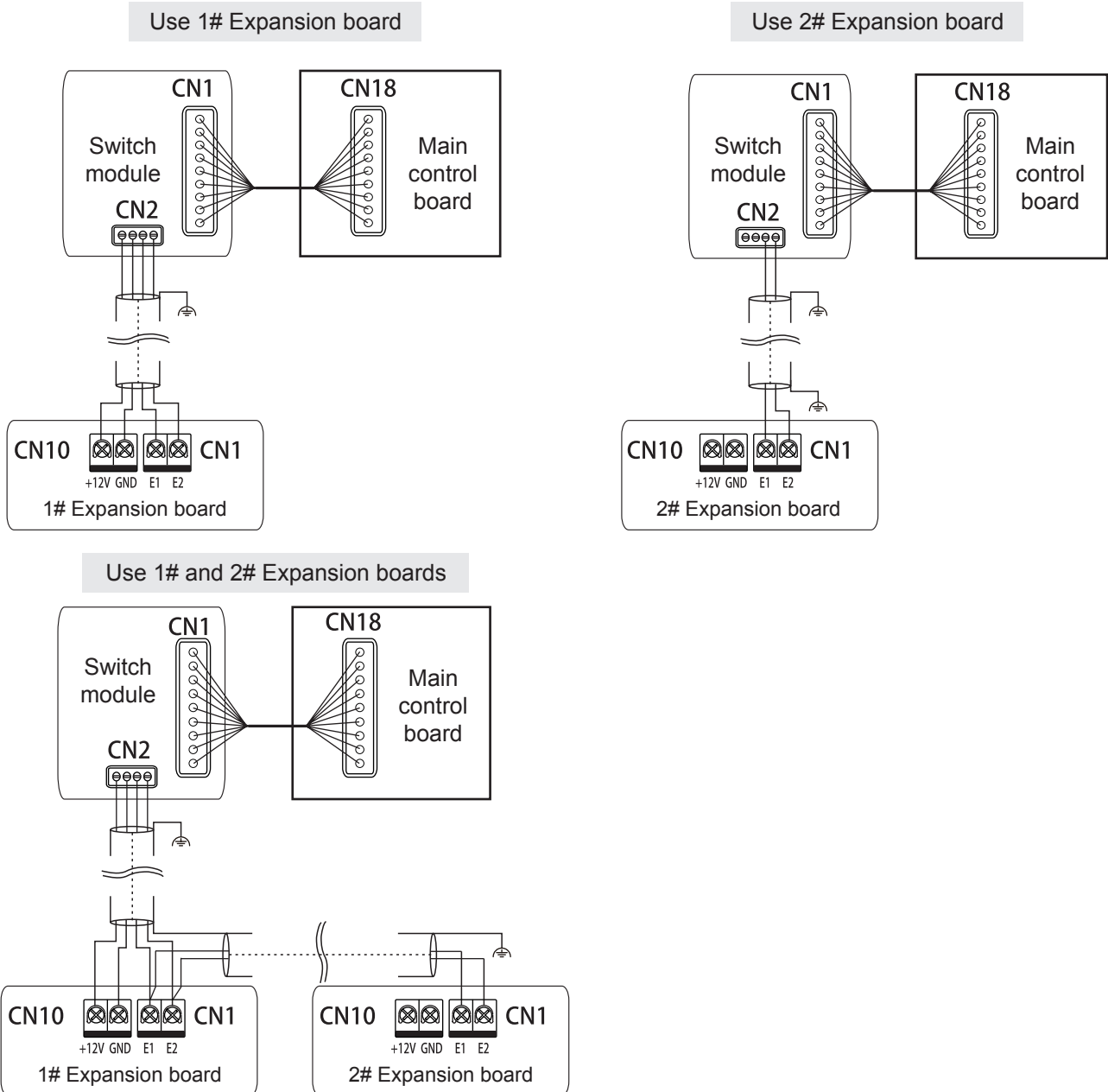
### ① Connection of Display Box

The display box is connected to the main control board through a 4-core cable, and is connected to the "CN30" socket of the main control board, as shown in the following figure:



### ② Switch module connection

Expansion boards can communicate with the main control board through the Switch board. Use one or both of the two expansion boards. The wiring figures are as follows:



### ⚠ Caution

For the function introduction of the Switch module, 1# Expansion boards and 2# Expansion boards, please refer to the function module manual.

## **6** Reclose the electric control box cover

Straighten out the connecting wires and lay them flat, and close the electric control box cover again.

### **Caution**

Do not cover the electric control box during power-on.

When covering the electric control box, arrange the cables carefully and do not clip the connecting wires on the electric control box cover.

# 9 Error Codes

## Error Codes and Definitions

In the following circumstances (warning failures excluded), please stop the air conditioner immediately, cut off the power switch and contact the local air conditioner customer service center. The error code is displayed on the display box and the wired controller display.

Error	Error code	Digital display
Emergency stop	A01	
R32 refrigerant leaks, requiring shutdown immediately	A11	
Outdoor unit fault	A51	
The fault of the linked FAPU is transmitted to the master indoor unit (series setting)	A71	
The fault of the linked humidifying indoor unit is transmitted to the master indoor unit	A72	
The fault of the linked FAPU is transmitted to the master indoor unit (non-series setting)	A73	
The fault of the AHU Kit slave unit is sent to the master unit	A74	
Self-check fault	A81	
MS (refrigerant flow direction switching device) fault	A82	
Mode conflict	A91	
1# EEV coil fault	b11	
1# EEV body fault	b12	
2# EEV coil fault	b13	
2# EEV body fault	b14	
Stall protection on 1# water pump	b34	
Stall protection on 2# water pump	b35	
Water level switch alarm	b36	
Reheating electric heater fault	b71	
Preprocessing electric heater fault	b72	
Humidifier fault	b81	
Duplicate indoor unit address code	C11	



Error	Error code	Digital display
Abnormal communication between the indoor unit and outdoor unit	C21	021
Abnormal communication between the indoor unit main control board and fan drive board	C41	041
Abnormal communication between the indoor unit and wired controller	C51	051
Abnormal communication between the indoor unit and Wi-Fi Kit	C52	052
Abnormal communication between the indoor unit main control board and display board	C61	061
Abnormal communication between the AHU Kit slave unit and master unit	C71	071
Number of AHU Kits is not the same as the set number	C72	072
Abnormal communication between the linked humidifying indoor unit and master indoor unit	C73	073
Abnormal communication between the linked FAPU and master indoor unit (series setting)	C74	074
Abnormal communication between the linked FAPU and master indoor unit (non-series setting)	C75	075
Abnormal communication between the main wired controller and secondary wired controller	C76	076
Abnormal communication between the indoor unit main control board and 1# Expansion board	C77	077
Abnormal communication between the indoor unit main control board and 2# Expansion board	C78	078
Abnormal communication between the indoor unit main control board and Switch board	C79	079
Air inlet temperature of the indoor unit is too low in heating mode	d16	016
Air inlet temperature of the indoor unit is too high in cooling mode	d17	017
Alarm for exceeding temperature and humidity range	d81	081
Sensor control board fault	dE1	0E1
PM2.5 sensor fault	dE2	0E2
CO2 sensor fault	dE3	0E3
Formaldehyde sensor fault	dE4	0E4
Human Detect sensor fault	dE5	0E5
T0 (fresh inlet air temperature sensor) short-circuits or cuts off	E21	021
The upper dry bulb temperature sensor short-circuits or cuts off	E22	022
The lower dry bulb temperature sensor short-circuits or cuts off	E23	023
T1 (Indoor unit return air temperature sensor) short-circuits or cuts off	E24	024

Error	Error code	Digital display
The built-in room temperature sensor of the wired controller short-circuits or cuts off	E31	
The wireless temperature sensor short-circuits or cuts off	E32	
The external room temperature sensor short-circuits or cuts off	E33	
Tcp (pre-cooled fresh air temperature sensor) short-circuits or cuts off	E61	
Tph (pre-heated fresh air temperature sensor) short-circuits or cuts off	E62	
TA (outlet air temperature sensor) short-circuits or cuts off	E81	
Outlet air humidity sensor fault	EA1	
Return air humidity sensor fault	EA2	
Upper wet bulb sensor fault	EA3	
Lower wet bulb sensor fault	EA4	
R32 refrigerant leakage sensor fault	EC1	
T2A (heat exchanger inlet temperature sensor) short-circuits or cuts off	F01	
T2 (heat exchanger middle temperature sensor) short-circuits or cuts off	F11	
T2 (heat exchanger middle temperature sensor) overtemperature protection	F12	
T2B (heat exchanger outlet temperature sensor) short-circuits or cuts off	F21	
Main control board EEPROM fault	P71	
Indoor unit display control board EEPROM fault	P72	
Locked (electronic lock)	U01	
Unit model code not set	U11	
Capacity(HP) code not set	U12	
Capacity(HP) code setting error	U14	
AHU Kit fan control input signal DIP setting error	U15	
Address code not detected	U38	
Motor failed more than once	J01	
IPM (fan module) overcurrent protection	J1E	
Instantaneous overcurrent protection for phase current	J11	

Error	Error code	Digital display
Low bus voltage fault	J3E	
High bus voltage fault	J31	
Phase current sample bias error	J43	
Motor and indoor unit are unmatched	J45	
IPM and indoor unit are unmatched	J47	
Motor startup failure	J5E	
Motor blocking protection	J52	
Speed control mode setting error	J55	
Phase lack protection of motor	J6E	

## Operating Status Codes and Definitions (Non-error)

Definition	Code	Digital display
Oil return or preheating operation	d0	
Self-cleaning	dC	
Mode conflict	dd	
Defrosting	dF	
Static pressure detection	d51	
Remote shutdown	d61	
Indoor unit backup operation	d71	
outdoor unit backup operation	d72	
Main control program upgrading	OTA	

### Caution

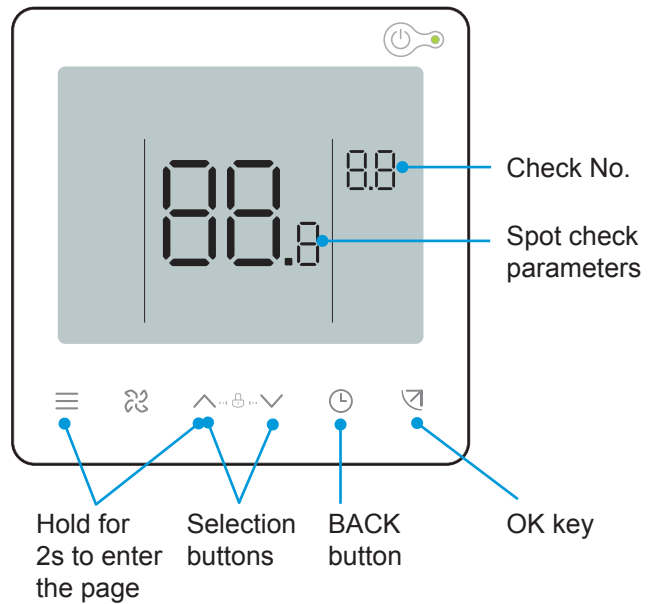
Error codes are displayed only for certain outdoor unit models and indoor unit configurations (including the wired controller and display box).

When the main control program is being upgraded, make sure that the indoor unit and outdoor unit remain powered on. Otherwise, the upgrading process will stop.

## Spot Check Description

Use the bi-directional communication wired controller (for example, WDC3-86S) to activate the spot check function in the following steps:

- ① On the main page, hold “≡” and “▲” for 2s to enter the query page. The wired controller displays “CC”. Press “▲” or “▼” key to select the indoor unit address n00-n63 (indicating the address of a specific indoor unit), and press the “↵” key to enter the parameter query page.
- ② Press the “▲” or “▼” key to query the parameters, and the parameters can be queried cyclically. See the spot check list below for details.
- ③ Press the “⌚” key to exit the query function.
- ④ On the top of the query page, the “Timing area” displays the spot check serial number, and the “Temperature area” displays the content of the spot check parameters.



No.	Displayed content	No.	Displayed content
1	Indoor unit and outdoor unit communication address (current indoor unit addresses are displayed every 0.5s)	13	Compressor discharge temperature
2	Capacity HP of indoor unit	14	Target overheating
3	Actual set temperature Ts	15	EEV opening (actual opening/8)
4	Current running set temperature Ts	16	Software version No.
5	Actual T1 indoor temperature	17	Display board version No.
6	Modified indoor temperature T1_modify	18	Fan drive version No.
7	T2 heat exchanger intermediate temperature	19	Historical error code (recent)
8	T2A heat exchanger liquid pipe temperature	20	Historical error code (sub-recent)
9	T2B heat exchanger gas pipe temperature	21	Indoor unit network address display
10	Actual set humidity RHs	22	Indoor unit expansion board address display
11	Actual RH indoor humidity	23	[— — —] is displayed
12	Real-time static pressure		

# 10 Settings

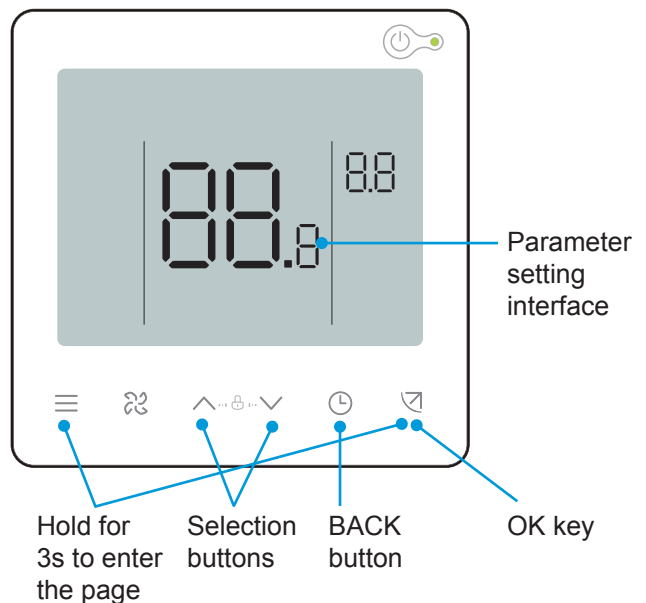
## ESP Setting

Use the bi-directional communication wired controller (for example, WDC3-86S) to set the unit external static pressure, which can be divided into the following two situations:

### 1 Constant air flow mode

Indoor units that are equipped with a constant air flow function are set to the constant air flow mode when they leave the factory. After the units are installed, they should undergo initial static pressure test before use. The steps are as follows:

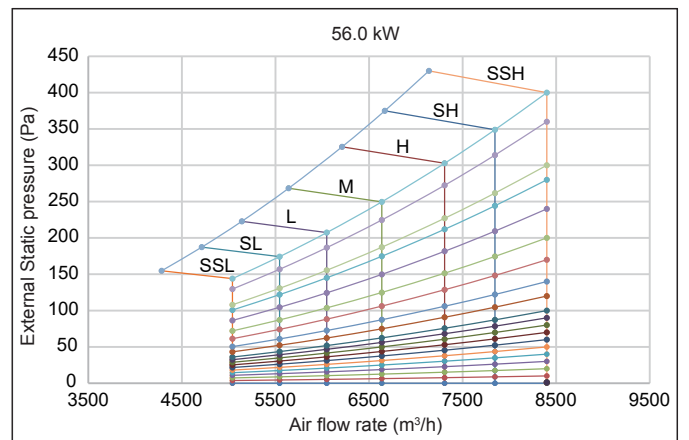
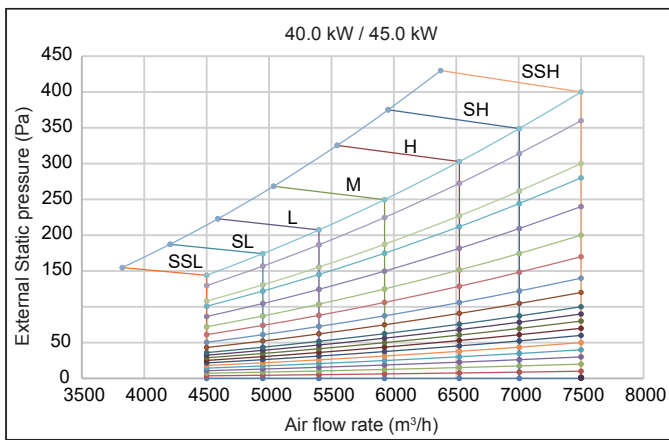
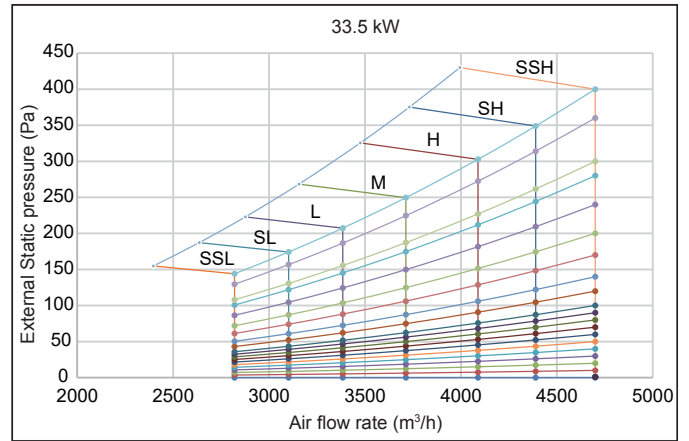
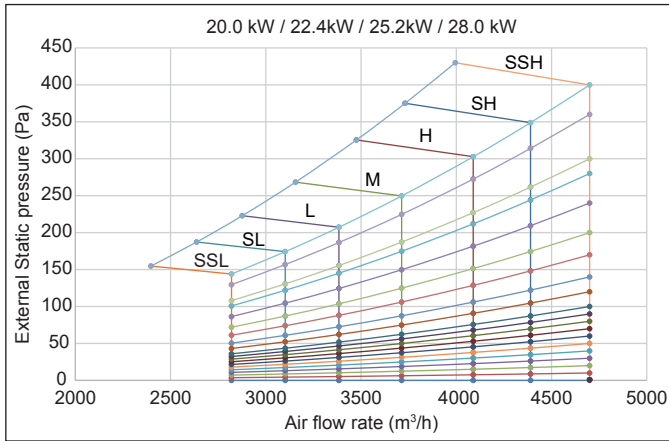
- ① On the main page, hold “≡” and “↵” for 3s. The wired controller displays “CC”. Press the “▲” or “▼” key to select the indoor unit address n00-n63 (indicating the address of a specific indoor unit), and press the “↵” key to enter the parameter setting page. The wired controller displays “n00”.
- ② On the parameter setting page, press the “▲” and “▼” keys to switch the “Parameter code” to the initial static pressure detection code “n58”, press “↵” key to enter the specific parameter setting, and then press “▲” and “▼” to set the parameter value to “01”. Then, press the “↵” key to save the settings. Then the wired controller will send the initial static pressure detection command to indoor units. Wait a few minutes for the indoor unit to complete the initial static pressure detection.
- ③ Press “⌚” to return to the previous page until exiting the parameter settings or perform no operations for 60s and the system will automatically exit the parameter settings.



Parameter code	Parameter name	Parameter range	Default value	Remarks
n58	Initial static pressure detection	00/01	00	00: Not reset; 01: Reset

## Air Pressure Curve

### Constant air flow - self-adaptive



### ! Caution

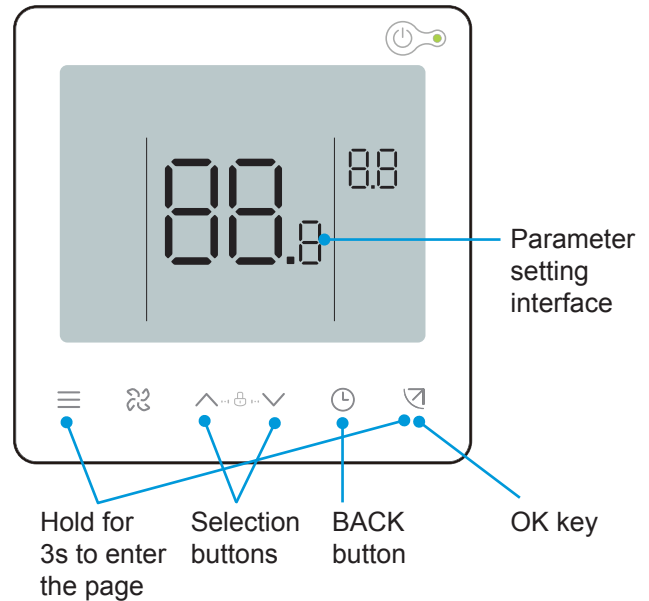
The static pressure of the air duct should be taken into consideration when installing the unit. This model is not recommended if exceeding the specified static pressure range.

SSL, SL, L, M, H, SH, and SSH represent fan speeds from level 1 to level 7.

## 2 Constant speed mode

The bi-directional communication wired controller must be used to set the unit's external static pressure parameters to overcome the air outlet resistance. The steps are as follows:

- ① On the main page, hold “≡” and “↖” for 3s. The wired controller displays “CC”. Press the “▲” or “▼” key to select the indoor unit address n00-n63 (indicating the address of a specific indoor unit), and press the “↖” key to enter the parameter setting page. The wired controller displays “n00”.
- ② On the parameter setting page, the wired controller displays “n00”. Press the “↖” key to enter the specific parameter setting, and then press “▲” and “▼” to adjust the parameter value of the unit external static pressure. Then, press the “↖” key to save the parameters. The unit external static pressure parameter has now been set.
- ③ Press “⌚” to return to the previous page until exiting the parameter settings or perform no operations for 60s and the system will automatically exit the parameter settings.



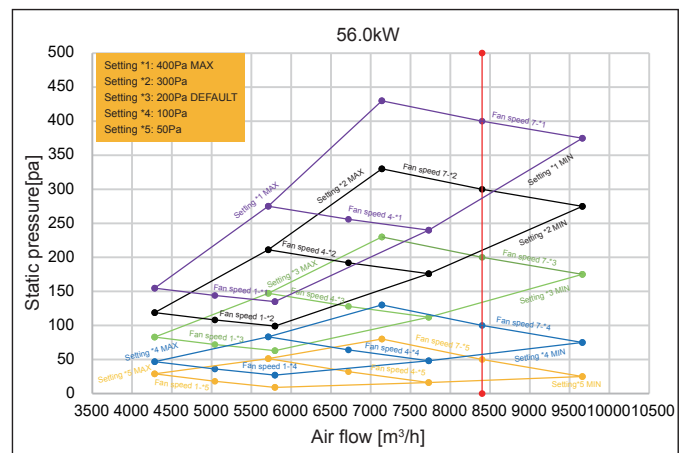
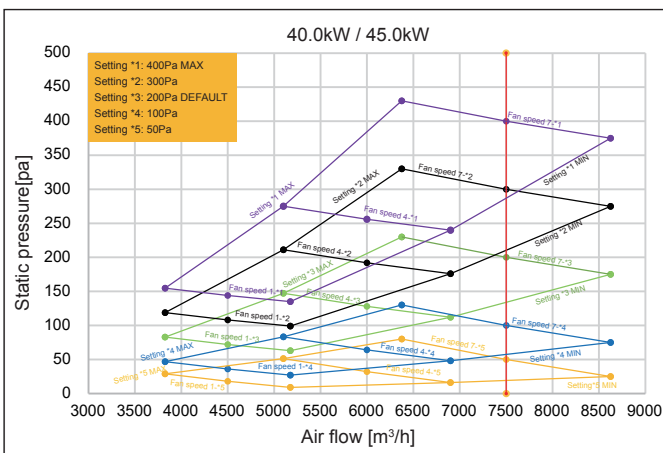
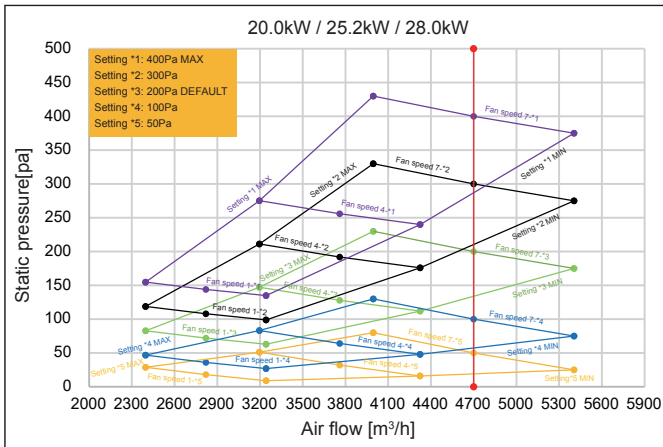
Capacity(kW)	Parameter code	Parameter name	Parameter range	Default value	Remarks
20.0≤kW≤33.5	n00	Unit external static pressure	Unit external static pressure stop: 00~19	14	Set the corresponding static pressure value FF of the indoor unit according to the indoor unit speed
33.5<kW≤56.0				17	

Static pressure setting parameter table

Unit power	Static pressure settings																			
kW	Level 00	Level 01	Level 02	Level 03	Level 04	Level 05	Level 06	Level 07	Level 08	Level 09	Level 10	Level 11	Level 12	Level 13	Level 14	Level 15	Level 16	Level 17	Level 18	Level 19
HP	Pa	Pa	Pa	Pa	Pa	Pa	Pa	Pa	Pa	Pa	Pa	Pa	Pa	Pa	Pa	Pa	Pa	Pa	Pa	Pa
20.0(7HP)	0	10	20	30	40	50	60	70	80	90	100	120	140	170	200	240	280	300	360	400
25.2(8HP)																				
28.0(10HP)																				
40.0(14HP)																				
45.0(16HP)																				
56.0(20HP)																				

## Air Pressure Curve

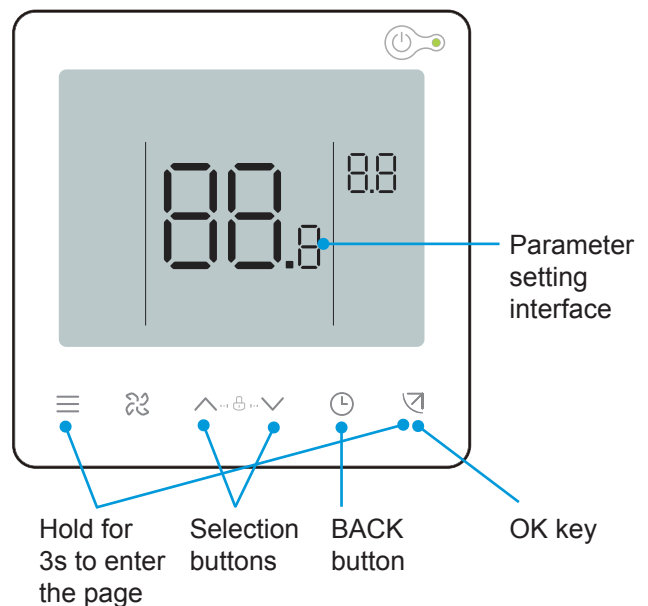
### Constant speed



### 3 Switch between constant air flow and constant speed

The two operating modes are switched as follows:

- ① On the main page, hold “≡” and “↶” for 3s. The wired controller displays “CC”. Press the “▲” or “▼” key to select the indoor unit address n00-n63 (indicating the address of a specific indoor unit), and press the “↶” key to enter the parameter setting page. The wired controller displays “n00”.
- ② On the parameter setting page, press the “▲” and “▼” keys to switch the “Parameter code” to the constant air flow setting parameter code “n30”, press the “↶” key to enter the specific parameter setting, and then press “▲” and “▼” to adjust the parameter value of the operating mode. Then, press the “↶” key to save the parameters. The operating mode parameter has now been set.
- ③ Press “⌚” to return to the previous page until exiting the parameter settings or perform no operations for 60s and the system will automatically exit the parameter settings.



Parameter code	Parameter name	Parameter range	Default value	Remarks
n30	Constant air flow setting	00/01	01	00: Constant speed; 01: Constant air flow



## Caution

Parameters can be set while the unit is powered on or powered off.

On the parameter setting page, the wired controller does not respond to a remote signal, and does not respond to the app remote control signal.

When it is in the parameter settings page, the mode, fan speed, and switch buttons are invalid.

Please refer to the remote controller manual for the setting parameters of the remote controller.

For other indoor unit parameter settings, please refer to the manual of the wired controller.

# 11 Test Run

## Before the Test Run, Make Sure That

- Indoor units and the outdoor unit are properly installed.
- The piping is correct, and the refrigerant piping system has been checked for leakage.
- Piping length and the amount of refrigerant charged have been recorded.
- The wiring is correct and firm without virtual connection issues. Earth wires have been properly connected.
- The voltage of the power supply is the same as the rated voltage of the air conditioner.
- Heat insulation is complete.
- There are no obstructions at the air inlet and outlet of the indoor unit and outdoor unit.
- Fully open the stop valves of the gas pipe and liquid pipe of the outdoor unit.
- Turn on the power supply to preheat the outdoor unit for 12 hours.

## Indoor Unit

- The wired/remote controller switch is operating normally.
- The display of the wired/remote controller is normal, the function keys work normally, the room temperature adjustment is normal, and the air flow and direction adjustment are normal.
- The LED indicator is on.
- Water drainage is normal.
- Check the indoor units one by one for normal operation, and the cooling and heating functions are normal without vibration or abnormal sound.

## Outdoor Unit

- There are no vibrations or strange sounds during operation.
- The fan, noise and condensation do not affect the neighbors.
- There is no refrigerant leakage.

## Note

Refer to the “Symptoms That Are Not Faults” in the “Operation” in this manual.

## Check List

To ensure a comfortable indoor environment, please run down through the list to check whether the installation of the air conditioner meets the requirements. Insert a “x” for Fail and a “√” for Pass.

Check Item	Check Criteria	Check Result (Pass/Fail)
Are the indoor units and outdoor units securely installed?	The air conditioner does not fall or vibrate, and there is no noise.	
Has the installation of the indoor unit been completed?	The unit works properly and no parts are burned out.	
Has a leak test been performed?	The cold/hot air is sufficient.	
Is the heat insulation in good condition (refrigerant piping, drain pipe, and air ducts)?	There is no condensation dripping.	
Were the connecting pipes sealed before installation to prevent dust from entering?	The compressor is functional.	
Is the refrigerant piping filled with nitrogen for shielded welding during the welding process (a nitrogen cylinder is on site)?	There is no oxide film on the inner surface of the connecting pipe. The system is functional with no major failures.	
Has a water drainage test been performed? Is drainage smooth? Is the connection secure?	There is no water leakage.	
Is the power supply voltage consistent with the specified voltage on the unit nameplate?	The unit works properly and no parts are burned out.	
Are the wires and pipes connected correctly?	The unit works properly and no parts are burned out.	
Is the air conditioner safely earthed?	There is no electric leakage.	
Have wires of the specified size been used?	The unit works properly and no parts are burned out.	
Are the terminal screws securely fastened?	There is no electric shock or fire.	
Are the inlets and outlets of the indoor units and outdoor units free of obstruction?	The cold/hot air is sufficient.	
Has the unit's external static pressure been set for the indoor unit in constant speed mode?	The cooling and heating functions are normal.	
Has the refrigerant piping length and refrigerant charge been recorded?	The amount of refrigerant in the air conditioning system is clear.	
Was an access hole reserved at the installation position of the indoor unit?	The maintenance can be easily carried out.	
Are air filters and grilles installed (at air inlets and outlets)?	The unit works properly.	
Does the temperature of each room meet the requirements during testing?	Users' comfort needs can be satisfied.	
Have you explained to the user how to operate the unit according to the user manual?	The unit is effective.	
Have you explained to the user how to operate and clean the air filter, grille (air inlets and outlets), etc.?	The unit is effective.	

# Maintenance and Service

## 1 Safety Warning

### Warning

For safety reasons, always turn off the air conditioner and turn off the power before cleaning the air conditioner.

Do not disassemble or repair the air conditioner by yourself; otherwise, it may cause fire or other hazards. Only professional service personnel can carry out the maintenance.

Do not use flammable or explosive materials (such as hair styling agents or pesticides) near the product. Do not use organic solvents such as paint thinner to clean this product; otherwise, it may cause cracks, electric shock or fire.

Only qualified dealers and professionally qualified electricians can install the optional accessories.

Be sure to use the optional accessories specified by local dealer.

Improper installation by yourself may result in water leakage, electric shock or fire.

Do not wash the air conditioner with water; otherwise, it may cause an electric shock.

Use a stable standing platform.

## 2 Cleaning

### Cleaning the Air Filter

### Caution

Air filters can be used to remove dust or other particles from the air, and if clogged, the effectiveness of the air conditioner will be greatly reduced.

Therefore, be sure to clean the air filter frequently when using it for an extended period.

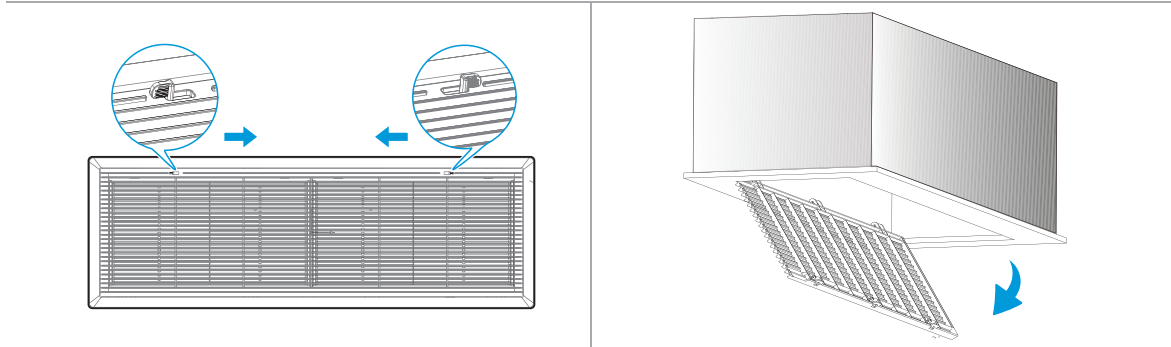
For the indoor unit with constant speed mode, if it is installed in a place with a lot of dust, it is recommended that you clean the filter once a month. For indoor units with a constant air flow mode, clean the filter when you receive the reminder of the wired controller.

If excess dirt makes the filter difficult to clean, replace the filter.

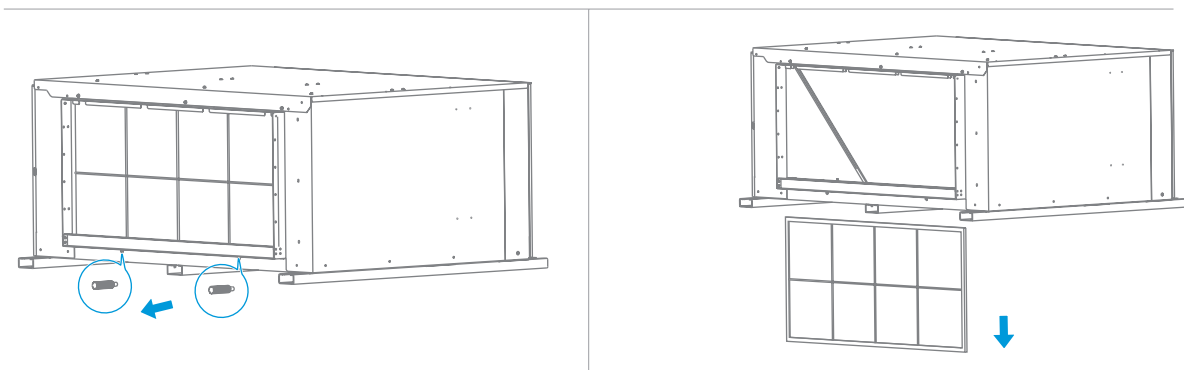
Do not remove the air filter unless it is being cleaned; otherwise, it may cause malfunction.

# 1 Procedure

- ① Remove the air inlet grille.  
For duct type air conditioners, open the air inlet grille as shown in the figure.



- ② Remove the filter. Remove the filter (if any) at the air inlet of the air conditioner (the filter is optional).

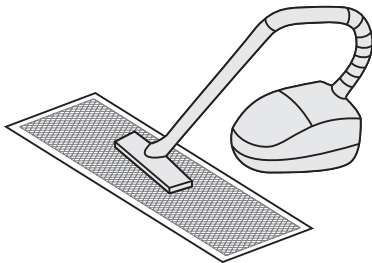


## ⚡ Note

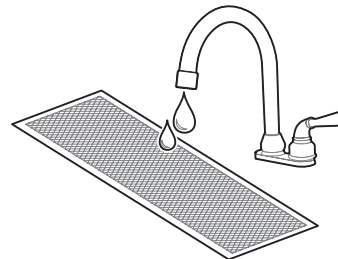
Only authorised installer or service agent can change and disassemble the filter. Any improper operations may cause electric shock or injuries due to touching rotating parts.

- ③ Clean the filter.

Clean the filter with a vacuum cleaner, with the air inlet side of the filter facing upwards.



Clean the filter with clean water (except for the activated carbon module), with the air inlet side of the filter facing downwards.



## ⚠ Caution

x To avoid deformation of the filter, do not use fire or a burning appliance to dry the filter.

If the filter is dirty, use a soft brush and neutral detergent to clean it, then shake off the water and dry it in a cool place.

Non-professionals should not disassemble, replace or repair the filter. x

④ Reinstall the filter.

⑤ Reinstall and close the air inlet grille by following steps 1 and 2 above in reverse.

## Cleaning Air Outlets and Exterior Panels

① Wipe the air outlet and panel with a dry cloth.

② If a stain is hard to remove, clean it with clean water or neutral detergent.

### Caution

Do not use gasoline, benzene, volatile agents, decontamination powder or liquid insecticides. Otherwise, the air outlet or panel may become discolored or deformed.

Do not expose the inside of the indoor unit to moisture, as it may result in electric shock or fire.

When cleaning the louver with water, do not scrub it violently.

If the air conditioner is used without an air filter, the accumulation of dust in the air conditioner will often cause malfunctions due to the failure to remove dust from the indoor air.

## Maintenance

**During in-depth maintenance, the air conditioner should be cleaned and maintained by professional technicians every 2 to 3 years.**

**For the indoor unit in constant speed mode, the primary efficiency filter is usually cleaned every three months.**

When operating in a dusty environment, the air flow and capacity of the filter will decrease. The filter may even become blocked, and the air conditioner performance and indoor air compromised.

**Preheat the unit in advance.**

When the heating season comes, power on the outdoor unit master unit for preheating more than 12 hours before use. The preheating time depends on the weather temperature. This can make the air conditioner operate more stably and help the refrigeration oil in the air conditioner compressor to maintain the best lubrication state, which can prolong the service life of the compressor.

**Complete the following steps before the air conditioner is put out of use for a long period:**

- ① If the air conditioner is not in use for a long time due to seasonal changes, keep the unit running for 4-5 hours in fan mode until the unit becomes completely dry. Otherwise, it may grow mold indoors and have negative health effects.
- ② When not in use for a long time, power off or unplug the power plug to reduce standby power consumption, and wipe the wireless remote controller with a clean soft dry cloth and remove the battery.
- ③ Turn on the power switch 12 hours before using the air conditioner again. In addition, in seasons when air conditioners are frequently used, keep the power switch on. Otherwise, failures may occur.

 **Caution**

Before the air conditioner is idle for a long time, the internal components of the outdoor units should be checked and cleaned regularly. For more details, please contact the local air conditioner customer service center or special technical service department.

Check the return air inlet and outlet of the outdoor unit and indoor unit after long periods of use to see if they are blocked; if an inlet/outlet is blocked, clean it immediately.

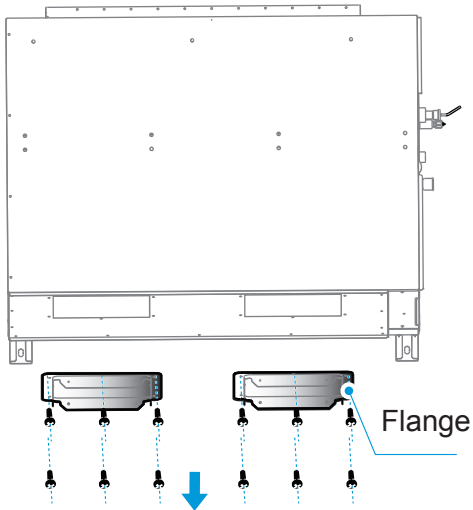
# 3 Maintenance of Conventional Parts

## Maintenance of Fan

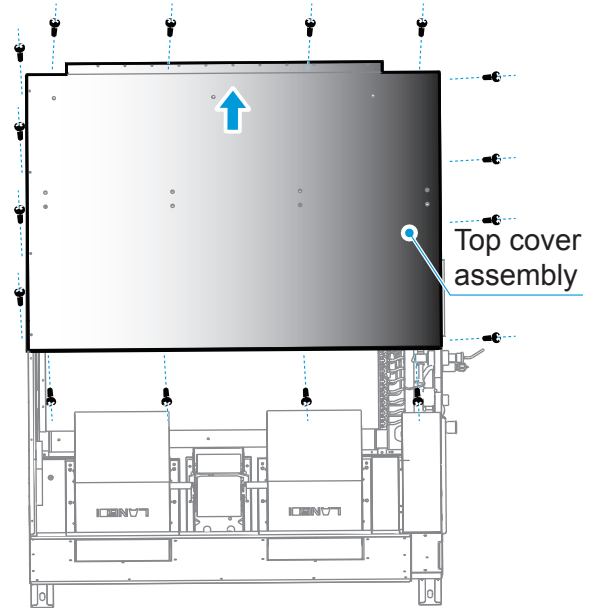
The fan propeller housing inside the unit can be maintained by removing the top cover or the front panel.

Method 1: Remove the top cover

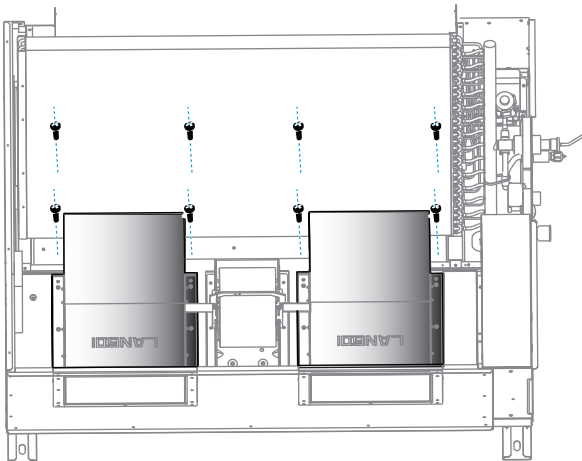
1 Remove the flange.



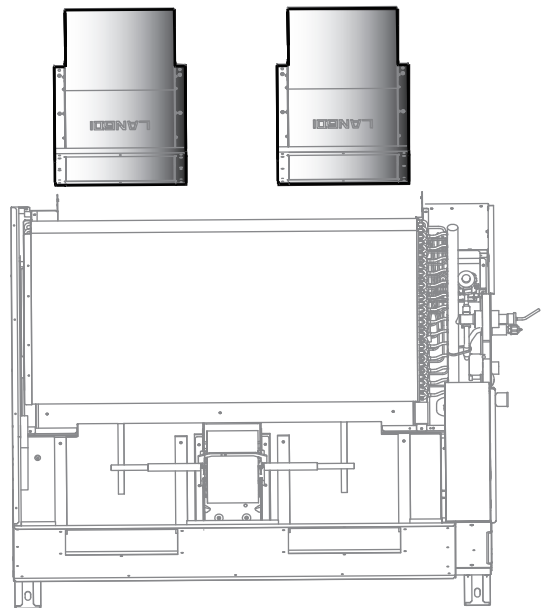
2 Remove the top cover assembly.



3 Loosen the propeller housing screw.

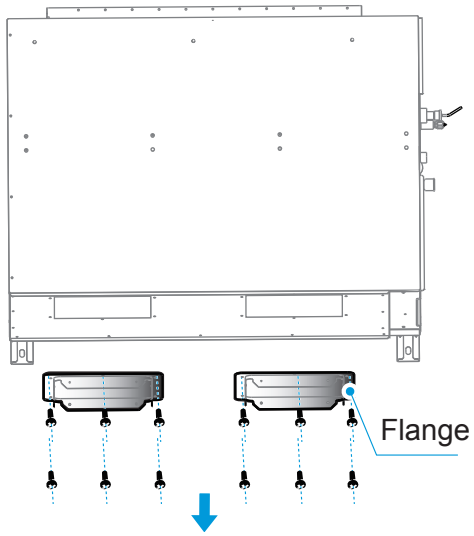


4 Remove the fan propeller housing.

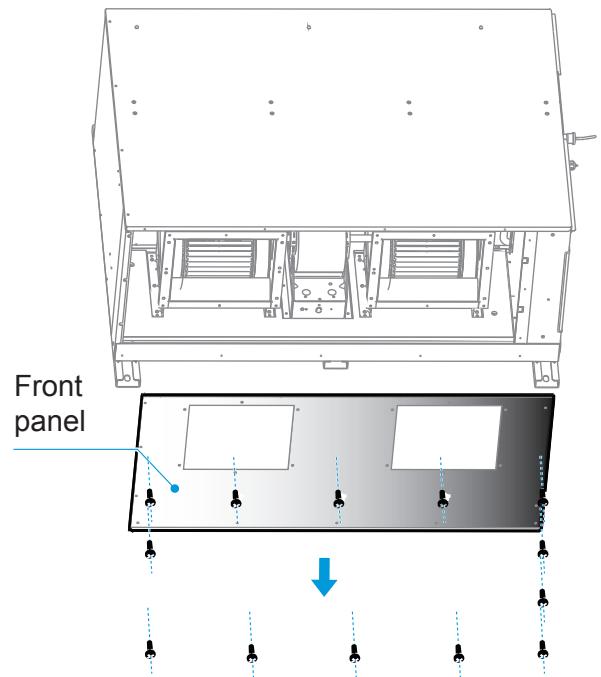


## Method 2: Remove the front panel

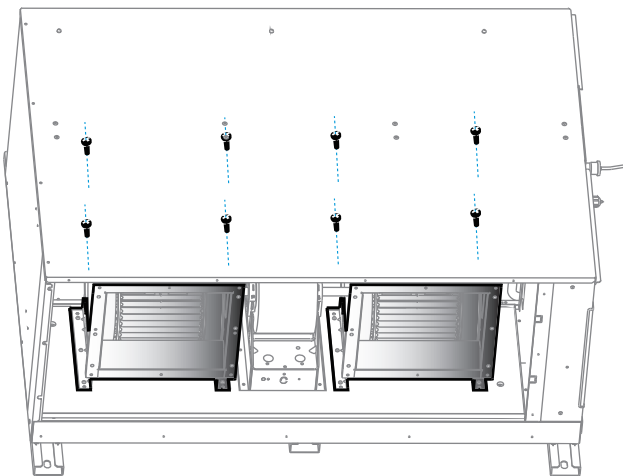
1 Remove the flange.



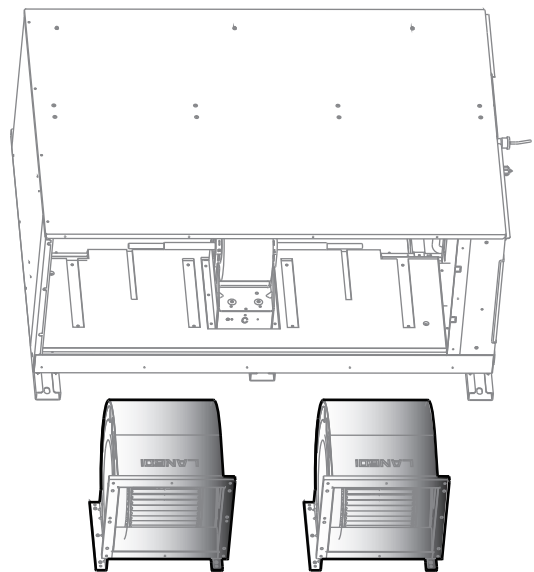
2 Remove the top cover assembly.



3 Loosen the propeller housing screw.



4 Remove the fan propeller housing.

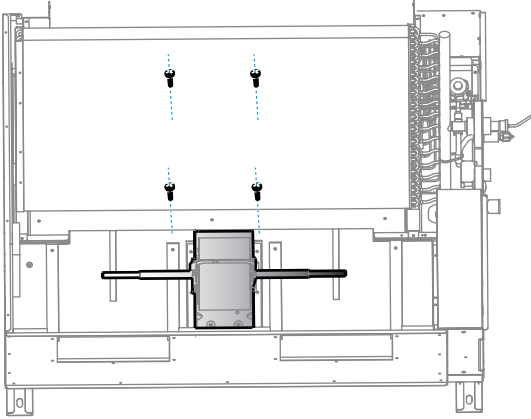




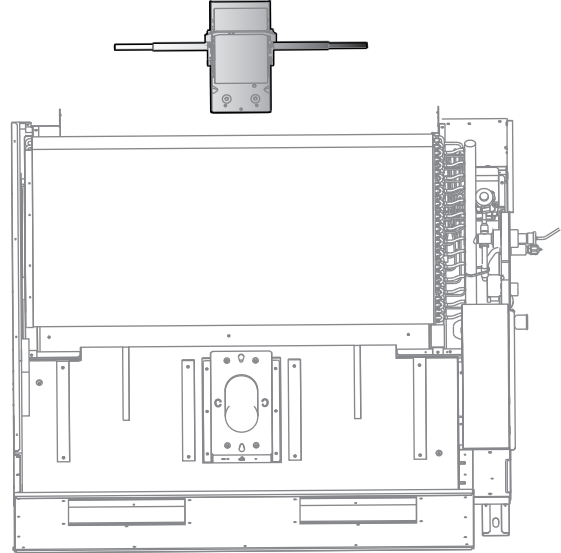
## Motor Maintenance

For motor maintenance, remove the fan propeller housing first with one of the methods above. Follow the steps below to remove the motor.

1 Loosen the motor screw.

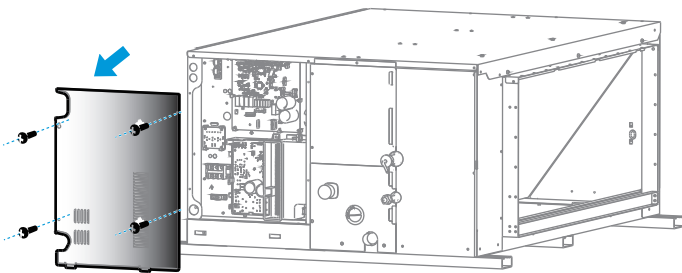


2 Remove the motor.

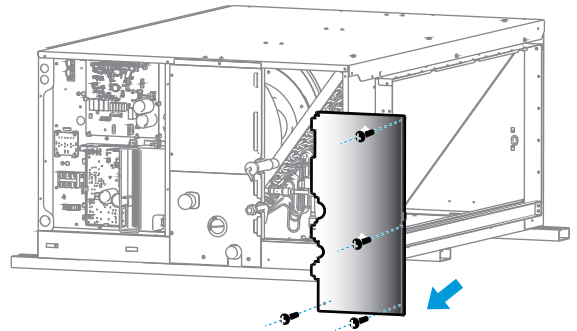


## Maintenance of the Drain Pump (for Units with Uumps), Temperature Sensor and Electronic Expansion Valve

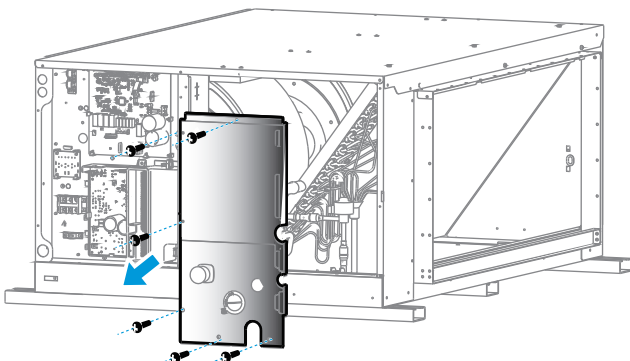
1 Remove the electric control box cover and unplug the pump and water level switch.



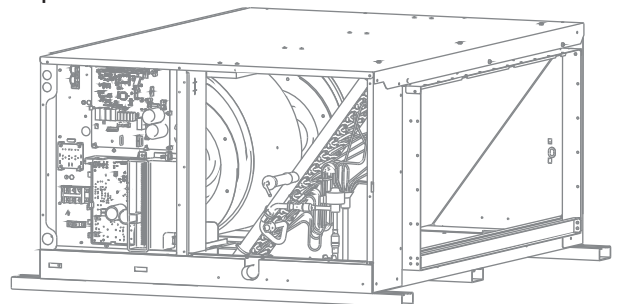
2 Remove the pipe clamp board.



3 Remove and repair the drain pump assembly.

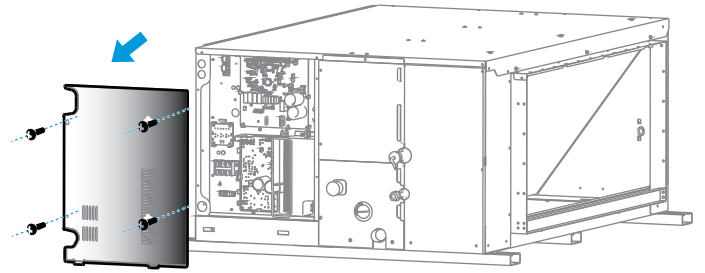


4 Replace temperature sensor and electronic expansion valve.



## Maintenance of Electronic Control Board

- 1 Remove the electric control box cover.
- 2 Check the circuit, components and other problems or replace the main board.
- 3 After replacing the main board, use the after-sale tool to scan the QR code on the electric control box, and reset the model and HP of the unit.

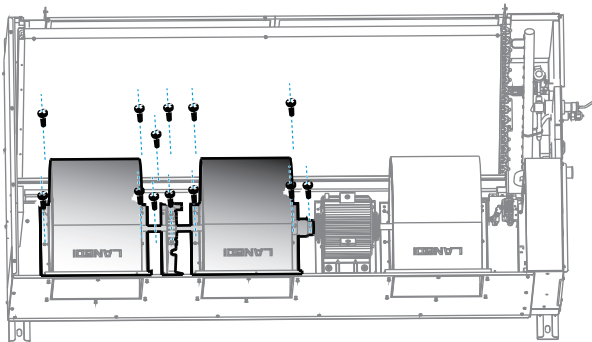


### Note

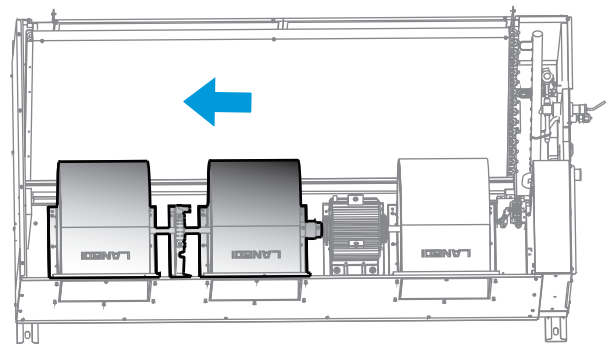
The electric control boards of different IDUs are not interchangeable.

## Maintenance of the Connecting Shaft, Coupling, and Bearing Block (for Units with 3 Fans)

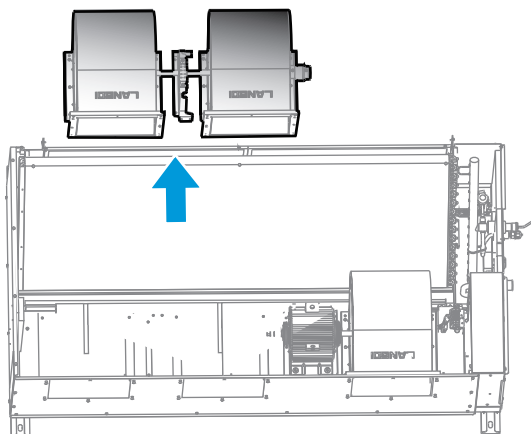
- 1 Refer to the maintenance procedure of the fan to loosen the fan fastening screw at the side with a coupling and loosen the fastening screws of the coupling and bearing block.



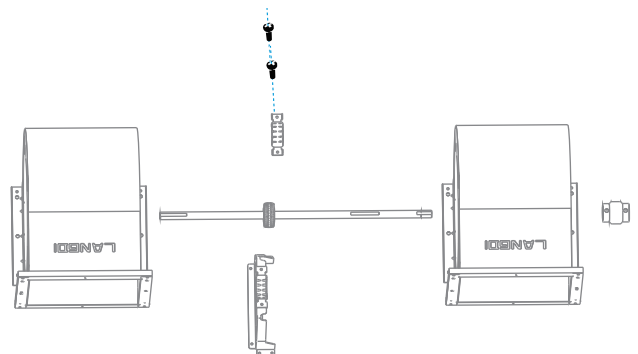
- 2 Push the coupling away from the motor.



- 3 Remove the fan, connecting shaft, coupling, and bearing block together.



- 4 Loosen the fan fastening screw and the bearing block fastening screw. Remove the coupling, connecting shaft, and bearing block.





# frigicoll

OFICINA CENTRAL  
Blasco de Garay, 4-6  
08960 Sant Just Desvern  
Barcelona  
Tel. 93 480 33 22  
<http://www.frigicoll.es>

BUREAU CENTRAL  
Parc Silic-Immeuble Panama  
45 rue de Villeneu  
94150 Rungis  
Tél. +33 9 80 80 15 14  
<http://www.frigicoll.es>