


Casual Multisystem

PRODUKTBLATT



KID-05.3 S
Standard controller

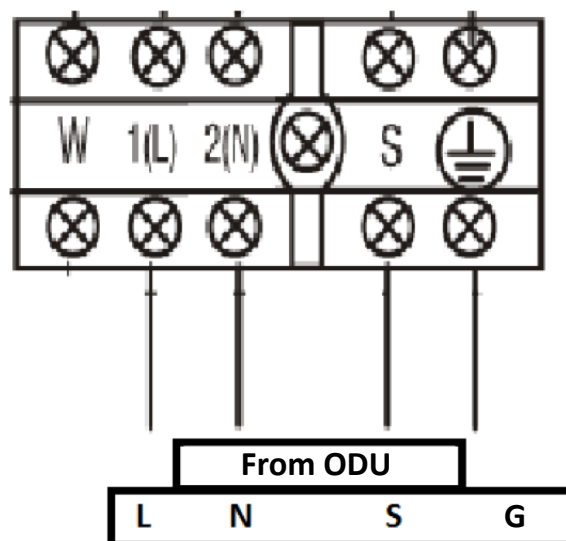
Produkt zertifiziert durch: 



Technische Daten

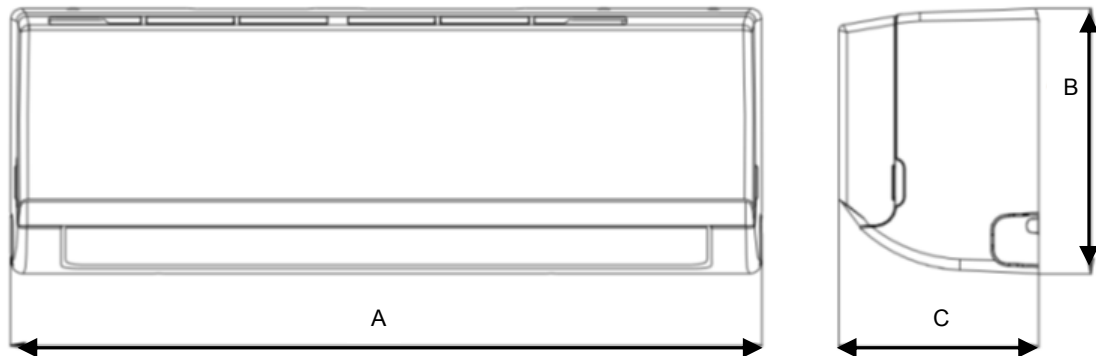
| Model | KAY-CF 20 DR11 | KAY-CF 26 DR11 | KAY-CF 35 DR11 | KAY-CF 52 DR11 | KAY-CF 71 DR11 |
|-------------------------------|-------------------------------|-------------------------------|-------------------------------|-------------------------------|-------------------------------|
| Kühlleistung | 2,05 kW | 2,64 kW | 3,52 kW | 5,28 kW | 7,03 kW |
| Heizleistung | 2,64 kW | 2,93 kW | 3,81 kW | 5,57 kW | 7,33 kW |
| Luftstrom | 434/333/259 m ³ /h | 434/333/259 m ³ /h | 314/430/540 m ³ /h | 540/680/840 m ³ /h | 662/817/980 m ³ /h |
| Schalldruck | 21 dB(A) | 21 dB(A) | 21 dB(A) | 20 dB(A) | 36 dB(A) |
| Stromversorgung | 220-240 V / 1 / 50 Hz | | | | |
| Verkabelung der Kommunikation | (3+T)x2,50 mm ² | | | | |
| Kälterohre | Ø1/4" / Ø3/8" | Ø1/4" / Ø3/8" | Ø1/4" / Ø3/8" | Ø1/4" / Ø1/2" | Ø3/8" / Ø5/8" |

VERKABELUNGSDIAGRAMM



ABMESSUNGEN UND GEWICHT DES INNENGERÄTS

| Model | Gewicht | A | B | C |
|-------------------------|----------|----------|--------|--------|
| KAY-CF 20 DR11 | 7 kg | 715 mm | 285 mm | 194 mm |
| KAY-CF 26 DR11.1 | 7,60 kg | 715 mm | 285 mm | 194 mm |
| KAY-CF 35 DR11 | 7,60 kg | 805 mm | 285 mm | 194 mm |
| KAY-CF 52 DR11 | 10 kg | 957 mm | 302 mm | 213 mm |
| KAY-CF 71 DR11 | 12,30 kg | 1.040 mm | 327 mm | 220 mm |



INSTALLATION

