


# Cassettes 600x600 & 840x840

## Multisystem

## PRODUCT SHEET



KID-06 S  
Standard controller

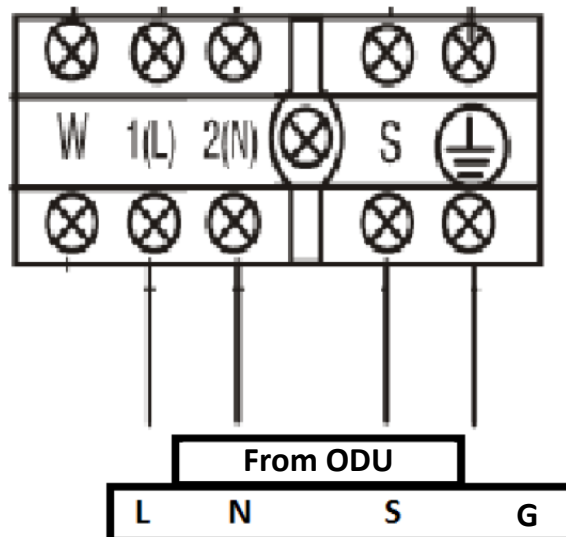
Product certified by: 



## FEATURES

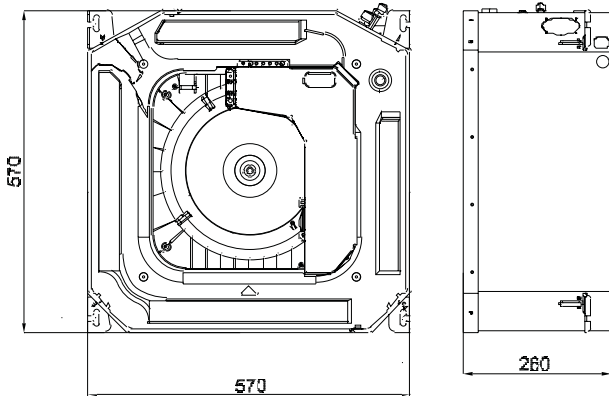
Model	KCI-26 DMR14	KCI-35 DR14	KCI-52 DR14	KCIS-71 DR14
Cooling capacity	2,63 kW	3,52 kW	5,28 kW	7,03 kW
Heating capacity	2,93 kW	3,81 kW	5,57 kW	7,62 kW
Airflow	450/500/580 m <sup>3</sup> /h	389/485/569 m <sup>3</sup> /h	479/584/680 m <sup>3</sup> /h	1.000/1.140/1.300 m <sup>3</sup> /h
Sound pressure	29/33/38 dB(A)	34,50/37,5/42 dB(A)	39/44/45,4 dB(A)	39,5/42,5/45,5 dB(A)
Power supply	220-240 V / 1 / 50 Hz			
Communication wiring	(3+T)x2,50 mm <sup>2</sup>	(3+T)x2,50 mm <sup>2</sup>	(3+T)x2,50 mm <sup>2</sup>	(3+T)x2,50 mm <sup>2</sup>
Refrigerating pipes	Ø1/4" / Ø3/8"	Ø1/4" / Ø3/8"	Ø1/4" / Ø1/2"	Ø3/8" / Ø5/8"

## WIRING DIAGRAM

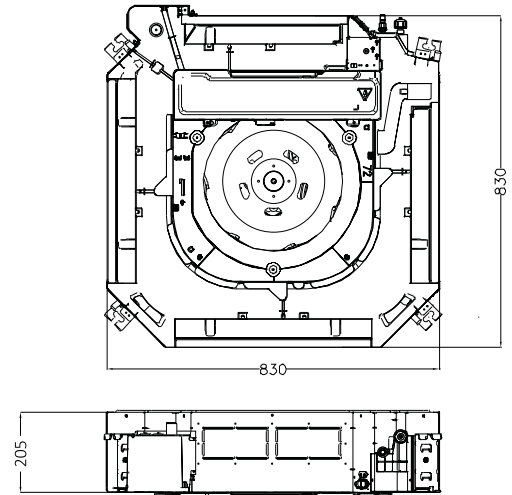


## DIMENSIONS & WEIGHT OF INDOOR UNIT

Model	Weight
<b>KCI-26 DMR14</b>	14,70 kg
<b>KCI-35 DR14</b>	16,30 kg
<b>KCI-52 DR14</b>	16 kg

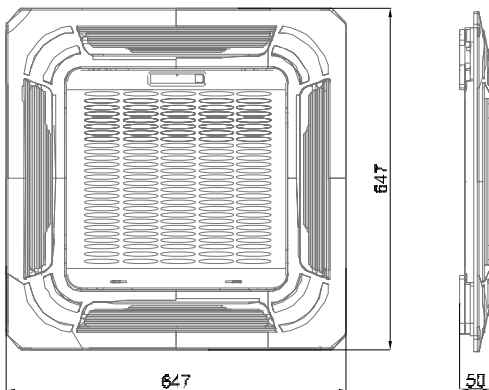


Model	Weight
<b>KCIS-71 DR13</b>	21,60 kg



## DIMENSIONS & WEIGHT OF PANEL

Model	Weight
<b>KPA-03E 600X600</b>	2,50 kg



Model	Weight
<b>KPA4-04B 840X840</b>	6 kg

