

PRODUCT SHEET

Compact Four Way Cassette 600x600 S8



KI-05

Recommended control

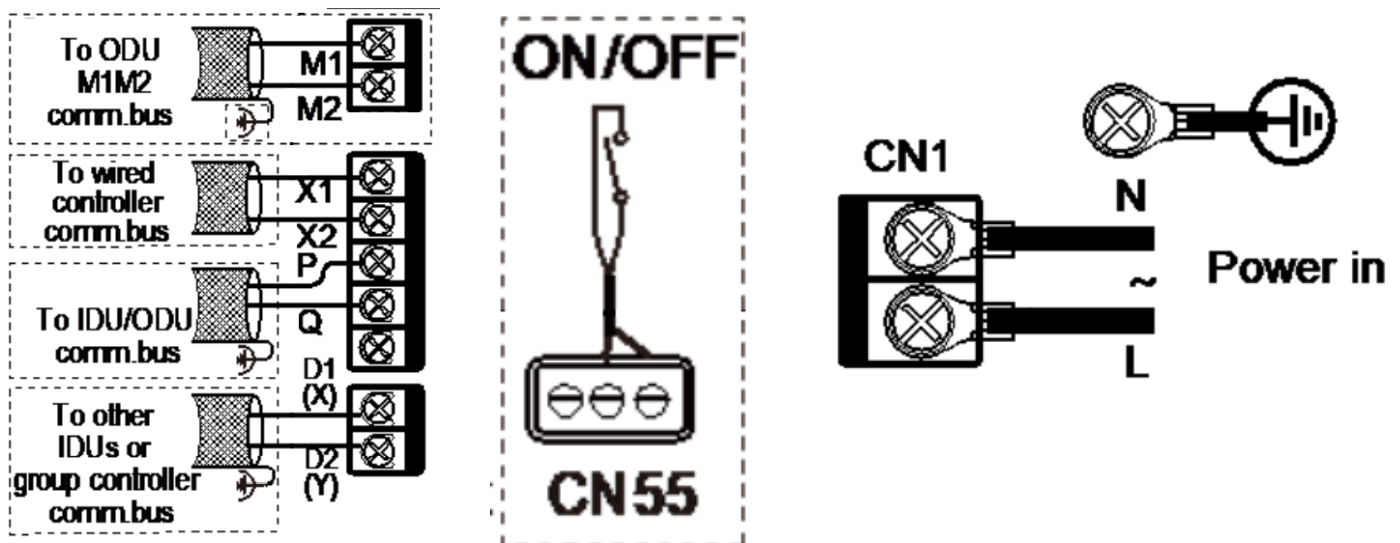
Product certified by:



FEATURES

Model	KCIF-15 DN5.0
Cooling capacity rated	1,50 kW
Nominal heat capacity	1,80 kW
Consumption	14 W
Power supply	220-240/1/50
MCA: Minimum circuit amperes	0,46 A
MFA: Max. fuse amperes	16 A
Air flow rate	295/320/345/370/400/425/450 m ³ /h
Max. static pressure	30 Pa
Sound pressure	25/26/26/27/27/28/29 dB(A)
Liquid pipe diameter	6,35 mm
Gas pipe diameter	12,7 mm

CIRCUIT DIAGRAM

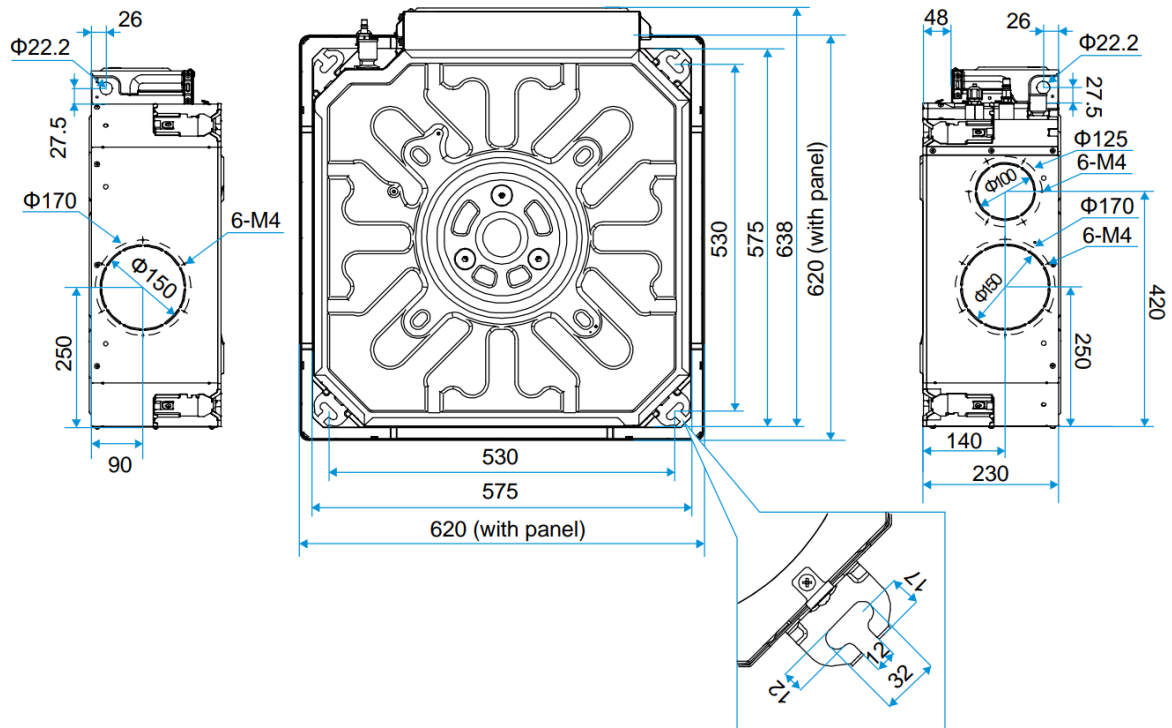


NOTES:

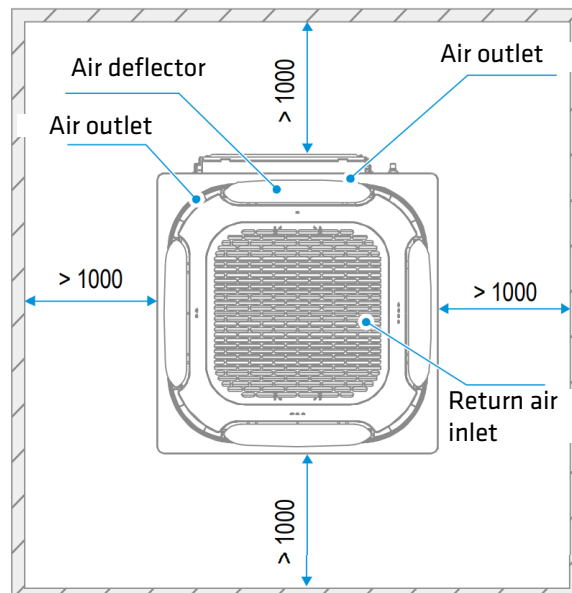
- (1) The data and specifications in this sheet are subject to change without notice.
- (2) The images in this sheet are for guidance only and may be different from the actual machine.
- (3) Cooling capacity conditions: Indoor temperature 27°C DB/19°C WB; Outdoor temperature 35°C DB; Equivalent refrigerant piping length 7.5 m with zero level difference; Data calculated with Duct type indoor unit. Heating capacity conditions: Indoor temperature 20°C DB; Outdoor temperature 7°C DB/6°C WB; Equivalent refrigerant piping length 7.5 m with zero level difference; Data calculated with Duct type indoor unit.
- (4) Sound pressure level is measured at a position 1 m in front of the unit and 1.3 m above the floor in a semi-anechoic chamber.

DIMENSIONS & WEIGHT

	KCIF-15 DN5.0
Indoor unit weight	13 kg
Model Panel	T-MBQ4-03F
Weight Panel	2,4 kg



INSTALLATION



PRODUCT SHEET

Compact Four Way Cassette

600x600 S8



KI-05

Recommended control

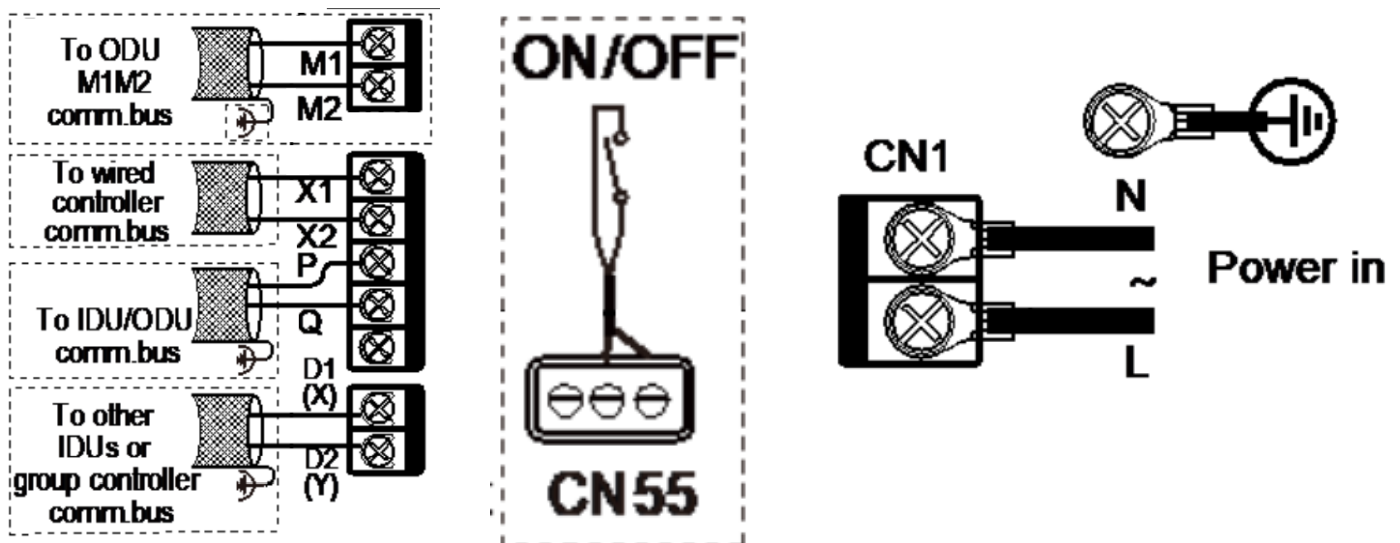
Product certified by:



FEATURES

Model	KCIF-22 DNS.0
Cooling capacity rated	2,20 kW
Nominal heat capacity	2,40 kW
Consumption	14 W
Power supply	220-240/1/50
MCA: Minimum circuit amperes	0,46 A
MFA: Max. fuse amperes	16 A
Air flow rate	295/320/345/370/400/425/450 m ³ /h
Max. static pressure	30 Pa
Sound pressure	25/26/26/27/27/28/29 dB(A)
Liquid pipe diameter	6,35 mm
Gas pipe diameter	12,7 mm

CIRCUIT DIAGRAM

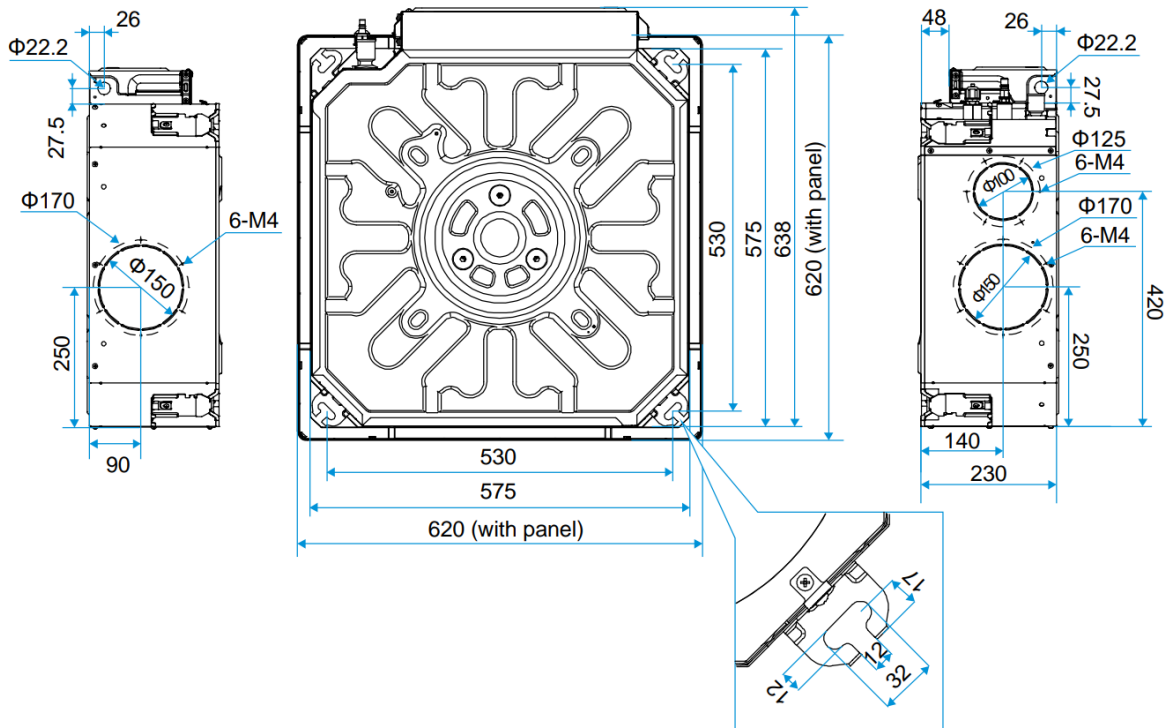


NOTES:

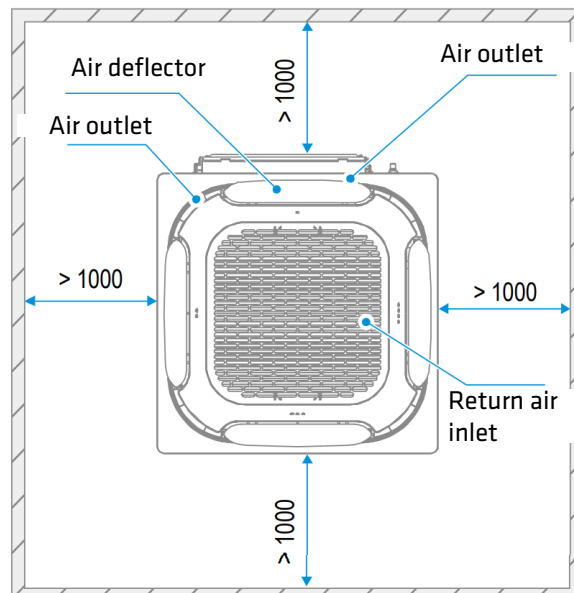
- (1) The data and specifications in this sheet are subject to change without notice.
- (2) The images in this sheet are for guidance only and may be different from the actual machine.
- (3) Cooling capacity conditions: Indoor temperature 27°C DB/19°C WB; Outdoor temperature 35°C DB; Equivalent refrigerant piping length 7.5 m with zero level difference; Data calculated with Duct type indoor unit. Heating capacity conditions: Indoor temperature 20°C DB; Outdoor temperature 7°C DB/6°C WB; Equivalent refrigerant piping length 7.5 m with zero level difference; Data calculated with Duct type indoor unit.
- (4) Sound pressure level is measured at a position 1 m in front of the unit and 1.3 m above the floor in a semi-anechoic chamber.

DIMENSIONS & WEIGHT

KCIF-22 DN5.0	
Indoor unit weight	13 kg
Model Panel	T-MBQ4-03F
Weight Panel	2,4 kg



INSTALLATION



PRODUCT SHEET

Compact Four Way Cassette 600x600 S8



KI-05

Recommended control

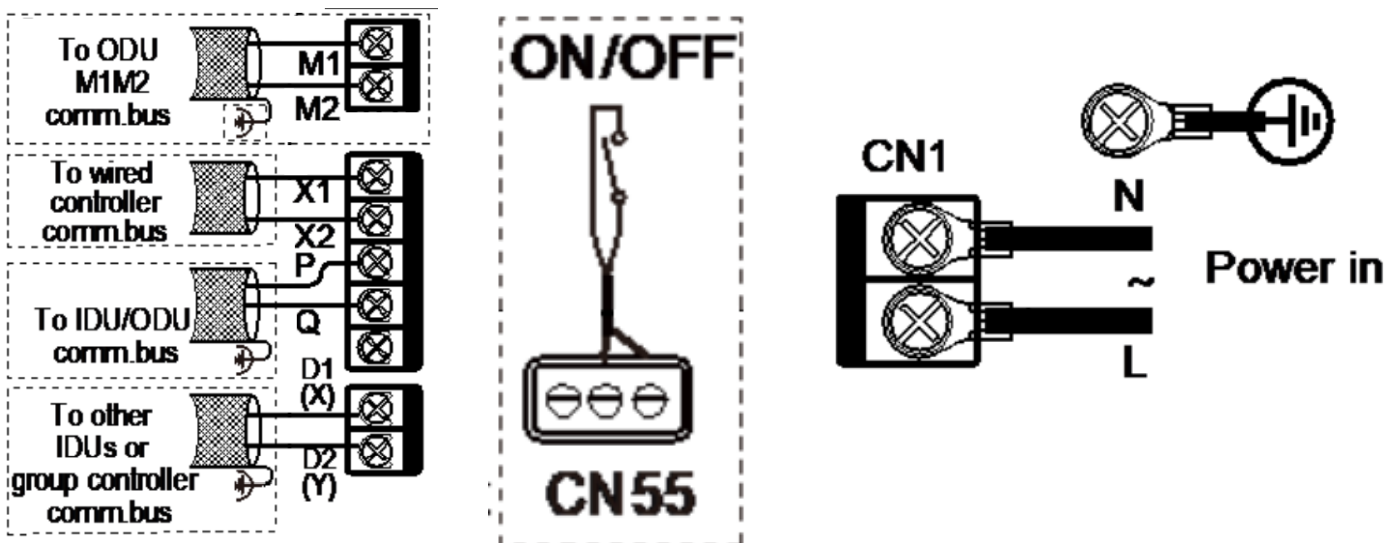
Product certified by:



FEATURES

Model	KCIF-28 DN5.0
Cooling capacity rated	2,80 kW
Nominal heat capacity	3,20 kW
Consumption	16 W
Power supply	220-240/1/50
MCA: Minimum circuit amperes	0,54 A
MFA: Max. fuse amperes	16 A
Air flow rate	340/370/395/425/455/480/510 m3/h
Max. static pressure	30 Pa
Sound pressure	25/26/26/27/28/29/30 dB(A)
Liquid pipe diameter	6,35 mm
Gas pipe diameter	12,7 mm

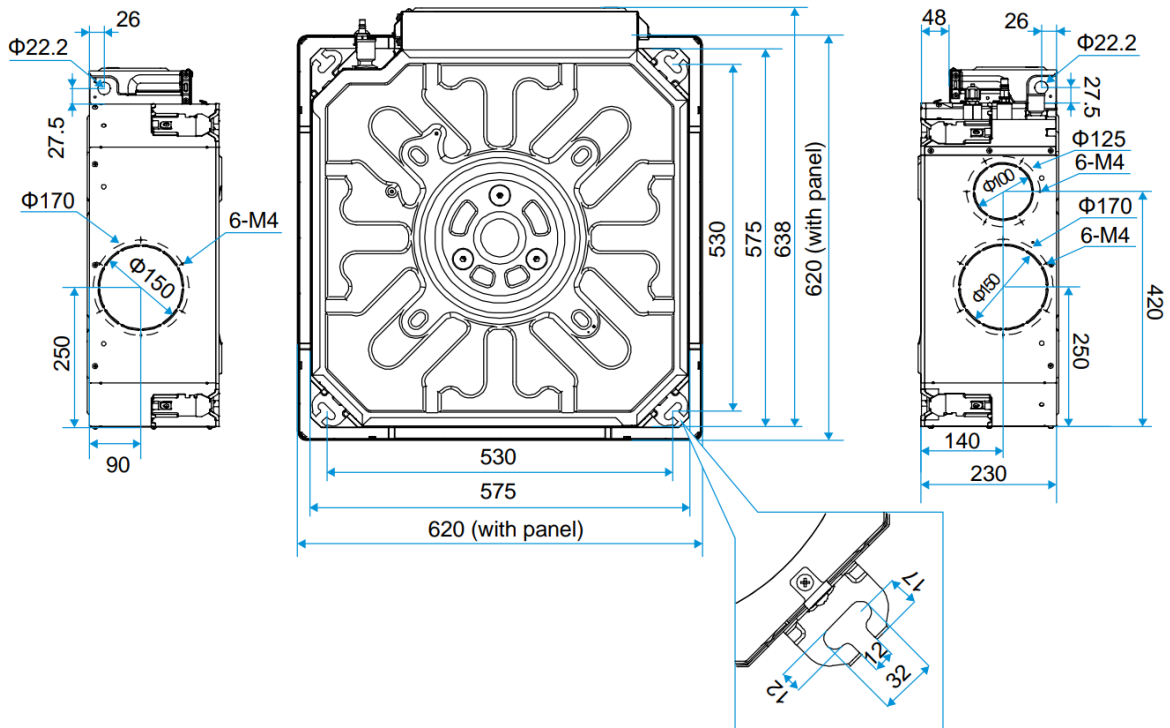
CIRCUIT DIAGRAM


NOTES:

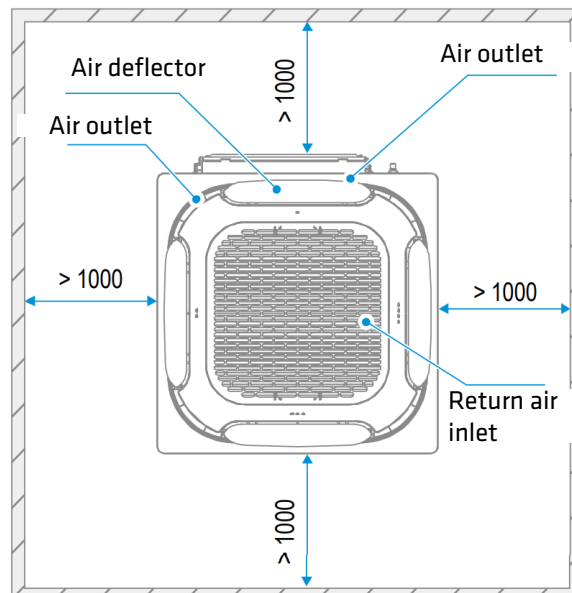
- (1) The data and specifications in this sheet are subject to change without notice.
- (2) The images in this sheet are for guidance only and may be different from the actual machine.
- (3) Cooling capacity conditions: Indoor temperature 27°C DB/19°C WB; Outdoor temperature 35°C DB; Equivalent refrigerant piping length 7.5 m with zero level difference; Data calculated with Duct type indoor unit. Heating capacity conditions: Indoor temperature 20°C DB; Outdoor temperature 7°C DB/6°C WB; Equivalent refrigerant piping length 7.5 m with zero level difference; Data calculated with Duct type indoor unit.
- (4) Sound pressure level is measured at a position 1 m in front of the unit and 1.3 m above the floor in a semi-anechoic chamber.

DIMENSIONS & WEIGHT

KCIF-28 DN5.0	
Indoor unit weight	13 kg
Model Panel	T-MBQ4-03F
Weight Panel	2,4 kg



INSTALLATION



PRODUCT SHEET

Compact Four Way Cassette

600x600 S8



KI-05

Recommended control

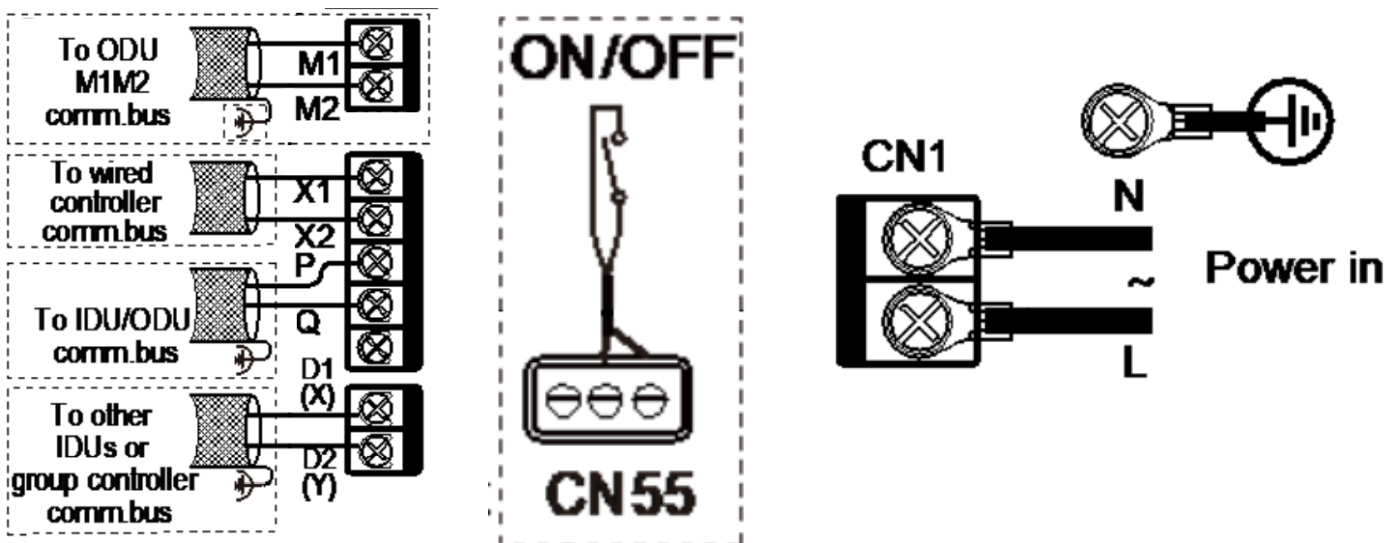
Product certified by:



FEATURES

Model	KCIF-36 DN5.0
Cooling capacity rated	3,60 kW
Nominal heat capacity	4,00 kW
Consumption	18 W
Power supply	220-240/1/50
MCA: Minimum circuit amperes	0,54 A
MFA: Max. fuse amperes	16 A
Air flow rate	345/375/405/440/470/500/530 m ³ /h
Max. static pressure	30 Pa
Sound pressure	26/26/27/28/29/30/31 dB(A)
Liquid pipe diameter	6,35 mm
Gas pipe diameter	12,7 mm

CIRCUIT DIAGRAM

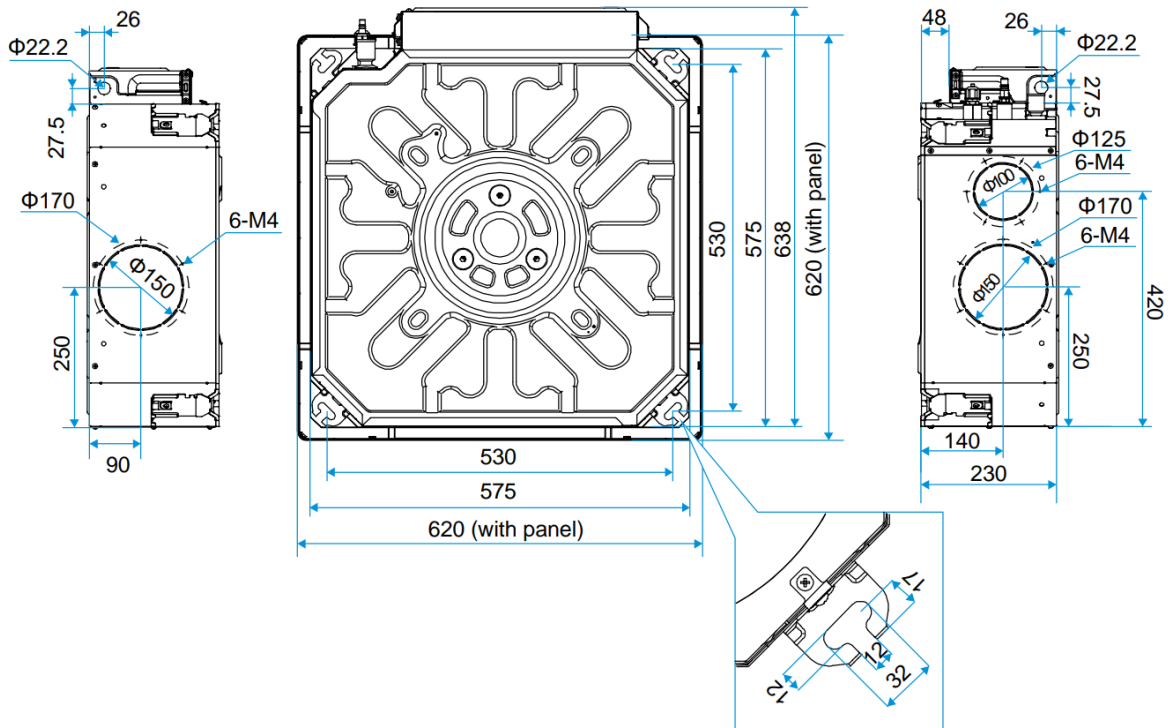


NOTES:

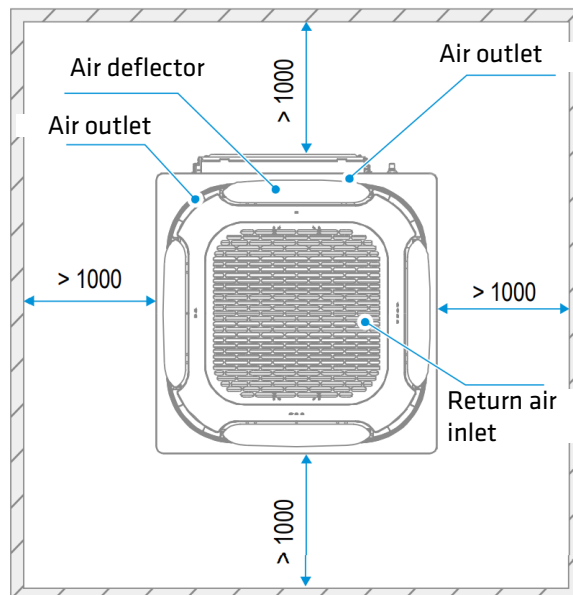
- (1) The data and specifications in this sheet are subject to change without notice.
- (2) The images in this sheet are for guidance only and may be different from the actual machine.
- (3) Cooling capacity conditions: Indoor temperature 27°C DB/19°C WB; Outdoor temperature 35°C DB; Equivalent refrigerant piping length 7.5 m with zero level difference; Data calculated with Duct type indoor unit. Heating capacity conditions: Indoor temperature 20°C DB; Outdoor temperature 7°C DB/6°C WB; Equivalent refrigerant piping length 7.5 m with zero level difference; Data calculated with Duct type indoor unit.
- (4) Sound pressure level is measured at a position 1 m in front of the unit and 1.3 m above the floor in a semi-anechoic chamber.

DIMENSIONS & WEIGHT

KCIF-36 DN5.0	
Indoor unit weight	14 kg
Model Panel	T-MBQ4-03F
Weight Panel	2,4 kg



INSTALLATION



PRODUCT SHEET

**Compact Four Way Cassette
600x600 S8**



KI-05

Recommended control

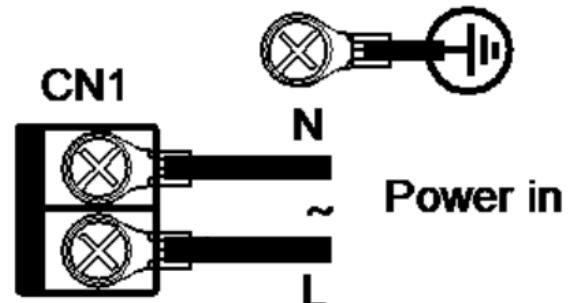
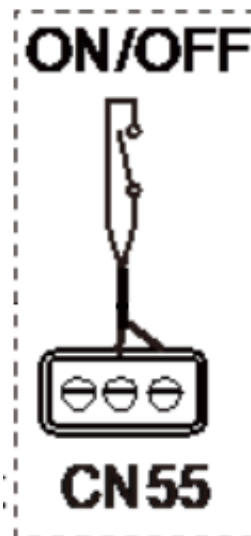
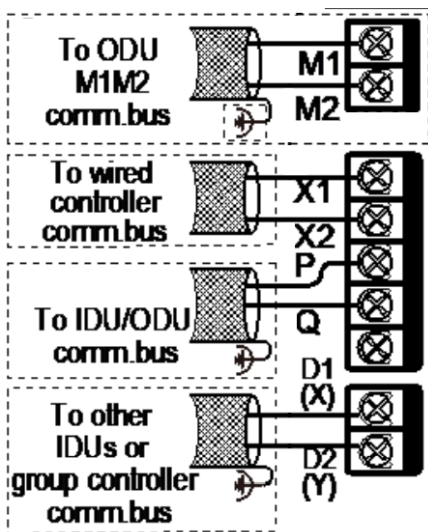
Product certified by:



FEATURES

Model	KCIF-45 DN5.0
Cooling capacity rated	4,50 kW
Nominal heat capacity	5,00 kW
Consumption	25 W
Power supply	220-240/1/50
MCA: Minimum circuit amperes	0,61 A
MFA: Max. fuse amperes	16 A
Air flow rate	425/460/495/530/570/605/640 m3/h
Max. static pressure	30 Pa
Sound pressure	27/28/29/31/33/35/37 dB(A)
Liquid pipe diameter	6,35 mm
Gas pipe diameter	12,7 mm

CIRCUIT DIAGRAM

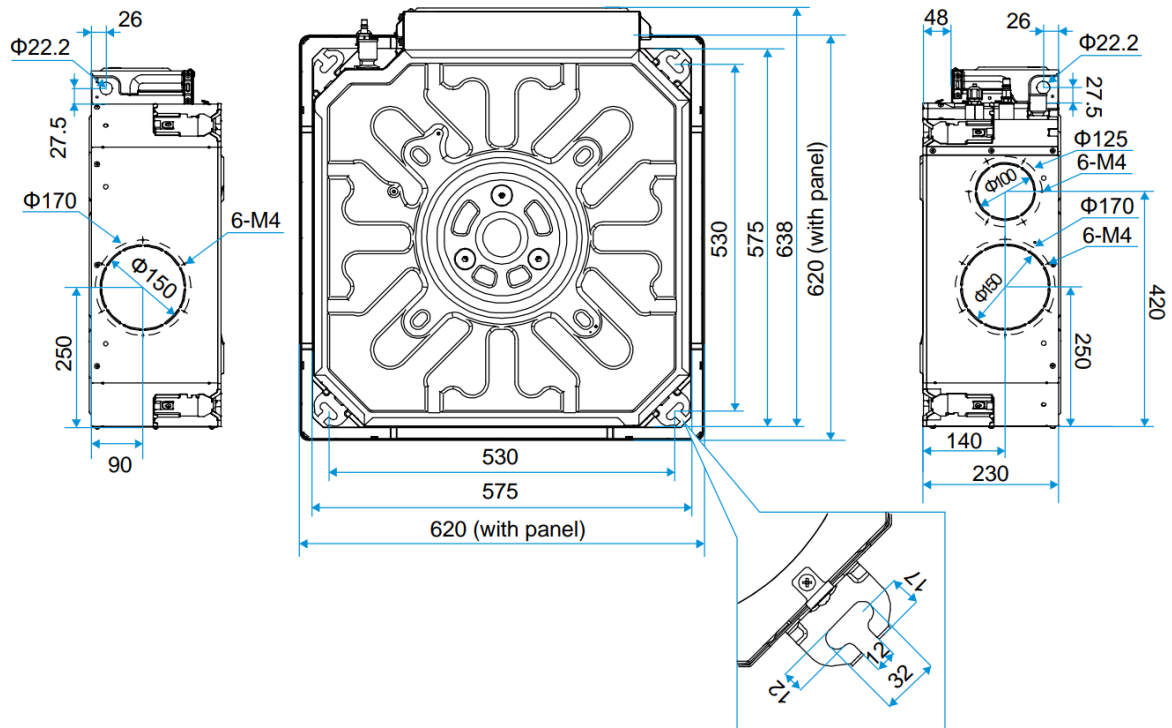


NOTES:

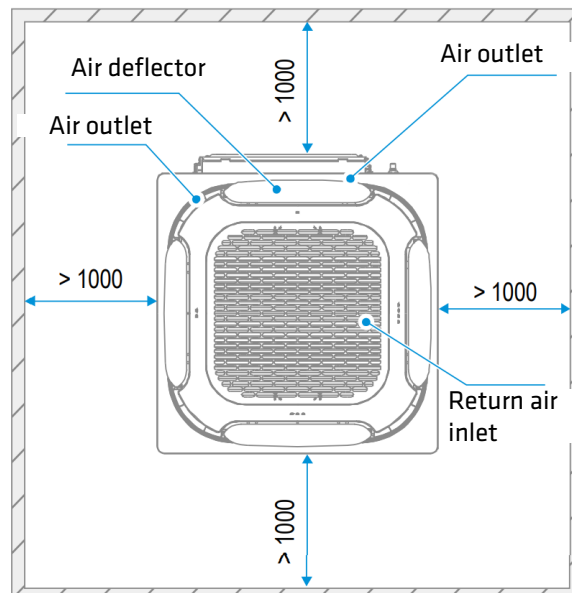
- (1) The data and specifications in this sheet are subject to change without notice.
- (2) The images in this sheet are for guidance only and may be different from the actual machine.
- (3) Cooling capacity conditions: Indoor temperature 27°C DB/19°C WB; Outdoor temperature 35°C DB; Equivalent refrigerant piping length 7.5 m with zero level difference; Data calculated with Duct type indoor unit. Heating capacity conditions: Indoor temperature 20°C DB; Outdoor temperature 7°C DB/6°C WB; Equivalent refrigerant piping length 7.5 m with zero level difference; Data calculated with Duct type indoor unit.
- (4) Sound pressure level is measured at a position 1 m in front of the unit and 1.3 m above the floor in a semi-anechoic chamber.

DIMENSIONS & WEIGHT

	KCIF-45 DN5.0
Indoor unit weight	14 kg
Model Panel	T-MBQ4-03F
Weight Panel	2,4 kg



INSTALLATION



PRODUCT SHEET

Compact Four Way Cassette

600x600 S8



KI-05

Recommended control

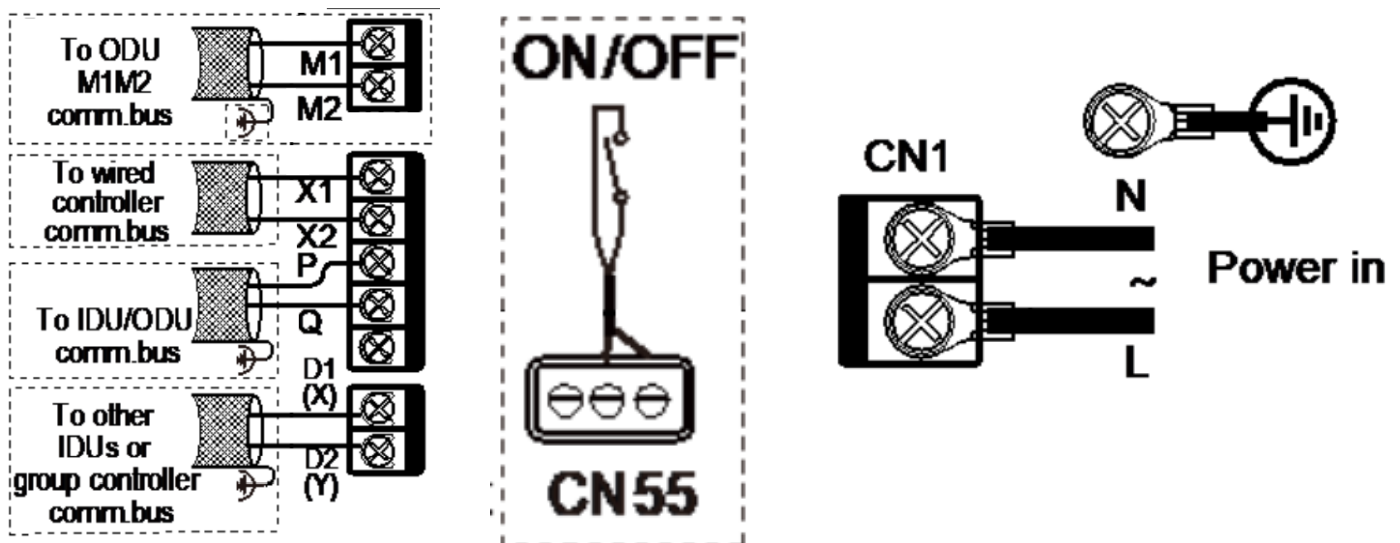
Product certified by:



FEATURES

Model	KCIF-56 DN5.0
Cooling capacity rated	5,60 kW
Nominal heat capacity	6,30 kW
Consumption	35 W
Power supply	220-240/1/50
MCA: Minimum circuit amperes	0,65 A
MFA: Max. fuse amperes	16 A
Air flow rate	535/580/625/670/720/765/810 m3/h
Max. static pressure	30 Pa
Sound pressure	32/34/35/36/37/38/39 dB(A)
Liquid pipe diameter	6,35 mm
Gas pipe diameter	12,7 mm

CIRCUIT DIAGRAM

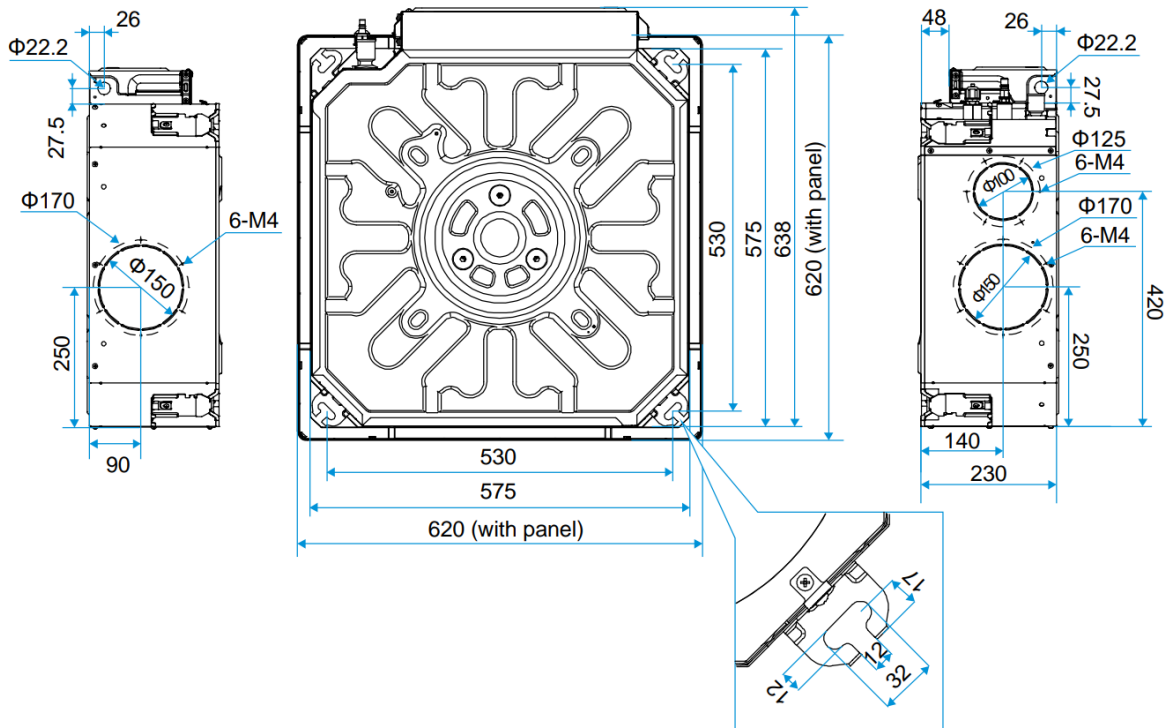


NOTES:

- (1) The data and specifications in this sheet are subject to change without notice.
- (2) The images in this sheet are for guidance only and may be different from the actual machine.
- (3) Cooling capacity conditions: Indoor temperature 27°C DB/19°C WB; Outdoor temperature 35°C DB; Equivalent refrigerant piping length 7.5 m with zero level difference; Data calculated with Duct type indoor unit. Heating capacity conditions: Indoor temperature 20°C DB; Outdoor temperature 7°C DB/6°C WB; Equivalent refrigerant piping length 7.5 m with zero level difference; Data calculated with Duct type indoor unit.
- (4) Sound pressure level is measured at a position 1 m in front of the unit and 1.3 m above the floor in a semi-anechoic chamber.

DIMENSIONS & WEIGHT

KCIF-56 DN5.0	
Indoor unit weight	15 kg
Model Panel	T-MBQ4-03F
Weight Panel	2,4 kg



INSTALLATION

