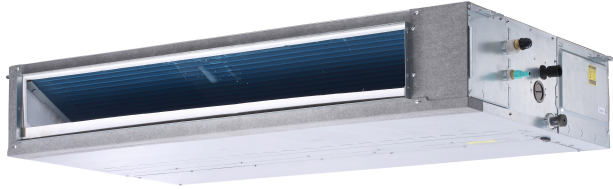


Medium Pressure Ducts

S8

PRODUCT SHEET



KCT-04 SR
Recommended control

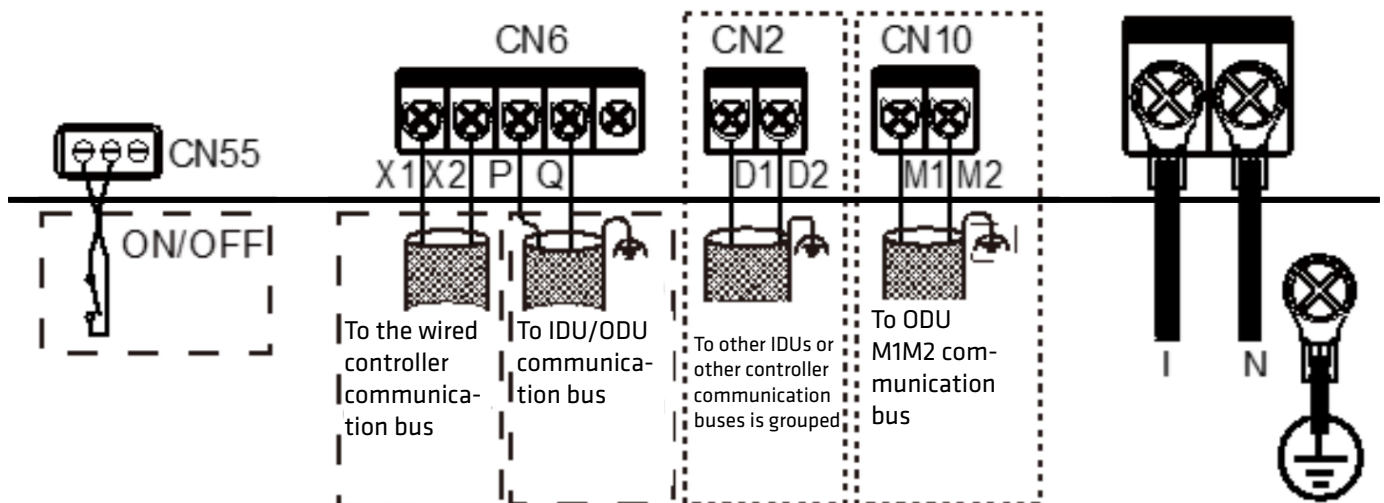
Product certified by:



FEATURES

Model	KPDHF-45 DN5.0	KPDHF-71 DN5.0	KPDHF-90 DN5.0
Rated cooling capacity	4,50 kW	7,10 kW	9,00 kW
Rated heating capacity	5,00 kW	8,00 kW	10,00 kW
Consumption	70 W	96 W	110 W
Power supply	220-240/1/50	220-240/1/50	220-240/1/50
MCA: Minimum circuit amps	1,19 A	1,5 A	1,63 A
MFA: Max. fuse amps	15 A	15 A	15 A
Air flow rate	410/453/495/538/580/623/665 m ³ /h	660/740/822/904/986/1068/1150 m ³ /h	835/933/1030/1128/1225/1324/1420 m ³ /h
Max. static pressure	160 Pa	160 Pa	160 Pa
Sound pressure	24/25/27/28/30/32/33 dB(A)	26/28/29/31/32/34/35 dB(A)	28/30/31/33/34/36/37 dB(A)
Liquid pipe diameter	6,35 mm	9,52 mm	9,52 mm
Gas pipe diameter	12,7 mm	15,9 mm	15,9 mm

CIRCUIT DIAGRAM

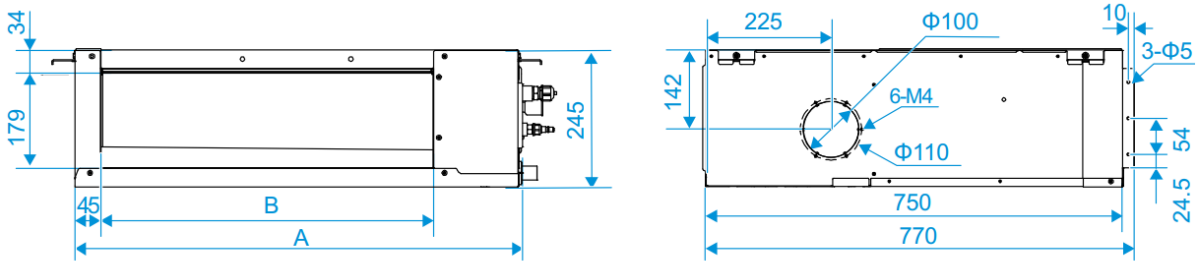


NOTES:

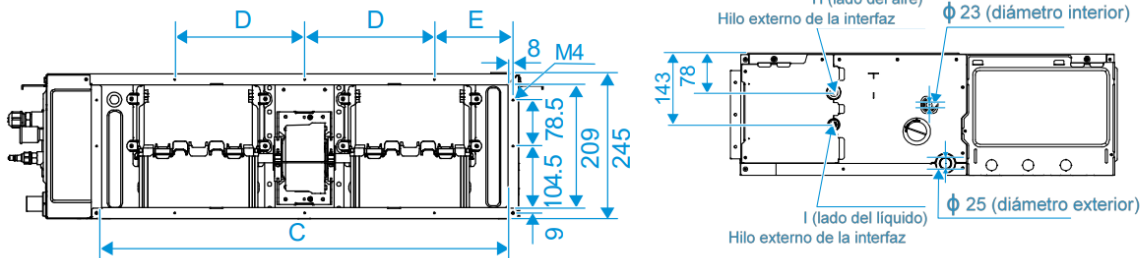
- (1) The data and specifications in this sheet are subject to change without notice.
- (2) The images in this sheet are for guidance only and may be different from the actual machine.
- (3) Cooling capacity conditions: Indoor temperature 27°C DB/19°C WB; Outdoor temperature 35°C DB; Equivalent refrigerant piping length 7.5 m with zero level difference; Data calculated with Duct type indoor unit. Heating capacity conditions: Indoor temperature 20°C DB; Outdoor temperature 7°C DB/6°C WB; Equivalent refrigerant piping length 7.5 m with zero level difference; Data calculated with Duct type indoor unit.
- (4) Sound pressure level is measured at a position 1 m in front of the unit and 1.3 m above the floor in a semi-anechoic chamber.

DIMENSIONS & WEIGHT

	KPDHF-45 DN5.0	KPDHF-71 DN5.0	KPDHF-90 DN5.0
A	600 mm	800 mm	1050 mm
B	400 mm	600 mm	850 mm
C	490 mm	690 mm	940 mm
D	87,5 mm	220 mm	220 mm
E	165 mm	134 mm	146 mm
Inner unit weight	19,5 kg	25 kg	31 kg



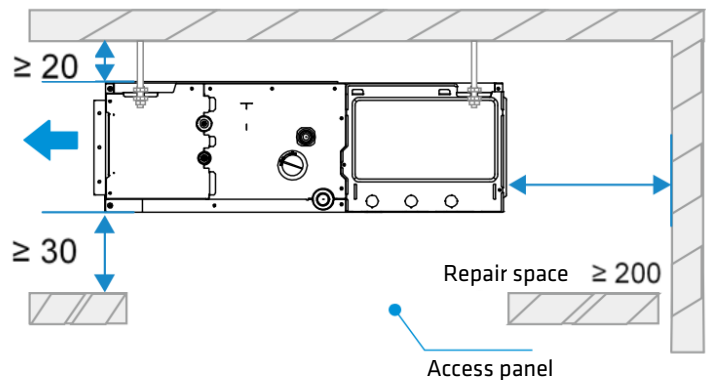
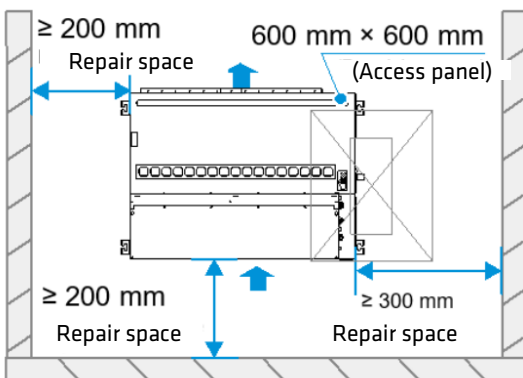
Appearance and size of the air outlet and the fresh air outlet



Size of return air inlet

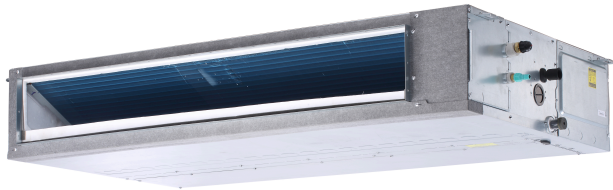
Piping and size of water pipes

INSTALLATION



Medium Pressure Ducts

PRODUCT SHEET



KCT-04 SR
Recommended control

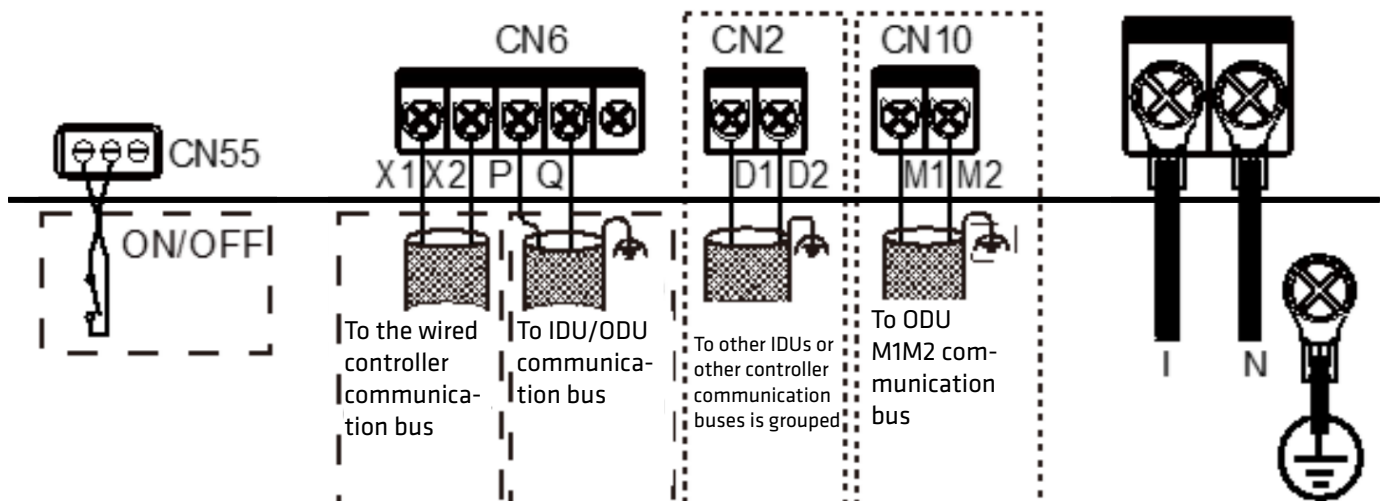
Product certified by:



FEATURES

Model	KPDHF-112 DN5.0	KPDHF-140 DN5.0	KPDHF-160 DN5.0
Rated cooling capacity	11,20 kW	14,00 kW	16,00 kW
Rated heating capacity	12,50 kW	14,00 kW	16,00 kW
Consumption	138 W	172 W	172 W
Power supply	220-240/1/50	220-240/1/50	220-240/1/50
MCA: Minimum circuit amps	2,29 A	2,31 A	2,76 A
MFA: Max. fuse amps	15 A	15 A	15 A
Air flow rate	1150/1283/1417/1550/1683/1817/1950 m ³ /h	1300/1434/1568/1703/1837/1971/2105 m ³ /h	1400/1533/1776/1871/2015/2160/2350 m ³ /h
Max. static pressure	160 Pa	160 Pa	160 Pa
Sound pressure	28/29/31/33/35/37/39 dB(A)	29/30/32/34/36/38/40 dB(A)	31/33/34/36/38/40/42 dB(A)
Liquid pipe diameter	9,52 mm	9,52 mm	9,52 mm
Gas pipe diameter	15,9 mm	15,9 mm	15,9 mm

CIRCUIT DIAGRAM

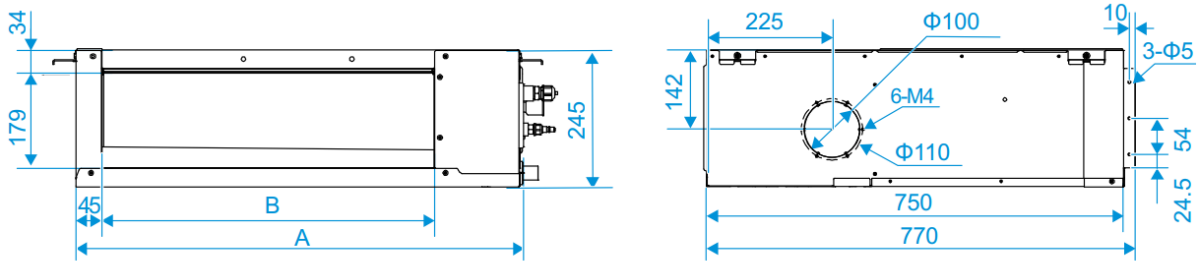


NOTES:

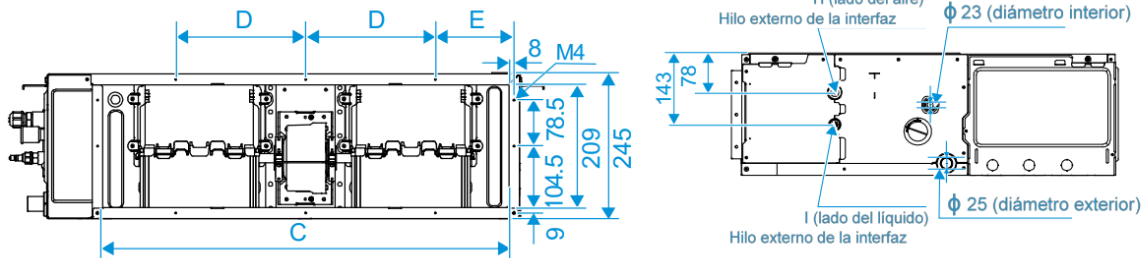
- (1) The data and specifications in this sheet are subject to change without notice.
- (2) The images in this sheet are for guidance only and may be different from the actual machine.
- (3) Cooling capacity conditions: Indoor temperature 27°C DB/19°C WB; Outdoor temperature 35°C DB; Equivalent refrigerant piping length 7.5 m with zero level difference; Data calculated with Duct type indoor unit. Heating capacity conditions: Indoor temperature 20°C DB; Outdoor temperature 7°C DB/6°C WB; Equivalent refrigerant piping length 7.5 m with zero level difference; Data calculated with Duct type indoor unit.
- (4) Sound pressure level is measured at a position 1 m in front of the unit and 1.3 m above the floor in a semi-anechoic chamber.

DIMENSIONS & WEIGHT

	KPDHF-112 DN5.0	KPDHF-140 DN5.0	KPDHF-160 DN5.0
A	1400 mm	1400 mm	1400 mm
B	1200 mm	1200 mm	1200 mm
C	1290 mm	1290 mm	1290 mm
D	220 mm	220 mm	220 mm
E	213 mm	213 mm	213 mm
Inner unit weight	37 kg	39 kg	39 kg



Appearance and size of the air outlet and the fresh air outlet



Size of return air inlet

Piping and size of water pipes

INSTALLATION

