

# Amazon VI

## PRODUCT SHEET



Product certified by:



## FEATURES

Model	K2F-252 DN6
Capacity	8 HP
Cooling capacity rated	25,2 kW
Cooling input rated	8,4 kW
EER	3,00
SEER	7,21
$\eta_{s,c}$	285,4 %
Heating capacity rated	25,2 kW
Heating input rated	6,6 kW
COP	3,80
SCOP	4,08
$\eta_{s,h}$	160,2 %
No. indoor units	13
Air flow	12.600 m <sup>3</sup> /h
Pressure available	20-120 Pa
Sound pressure	58 dB(A)
Sound power level	83 dB(A)
Alimentation	380-415 V / 3 / 50 Hz
Charge de réfrigérant	R-410A
Refrigerant charge	7 kg
Working range; Outdoor ambient temperature for cooling min / max	-15 / 55 °C
Working range; Outdoor ambient temperature for heating min / max	-30 / 30 °C

## DIMENSIONS & WEIGHT

Width	940 mm
Height	1760 mm
Depth	825 mm
Weight	195 kg

## NOTES:

(1) The data and specifications in this sheet are subject to change without notice.

(2) The images in this sheet are for guidance only and may be different from the actual machine.

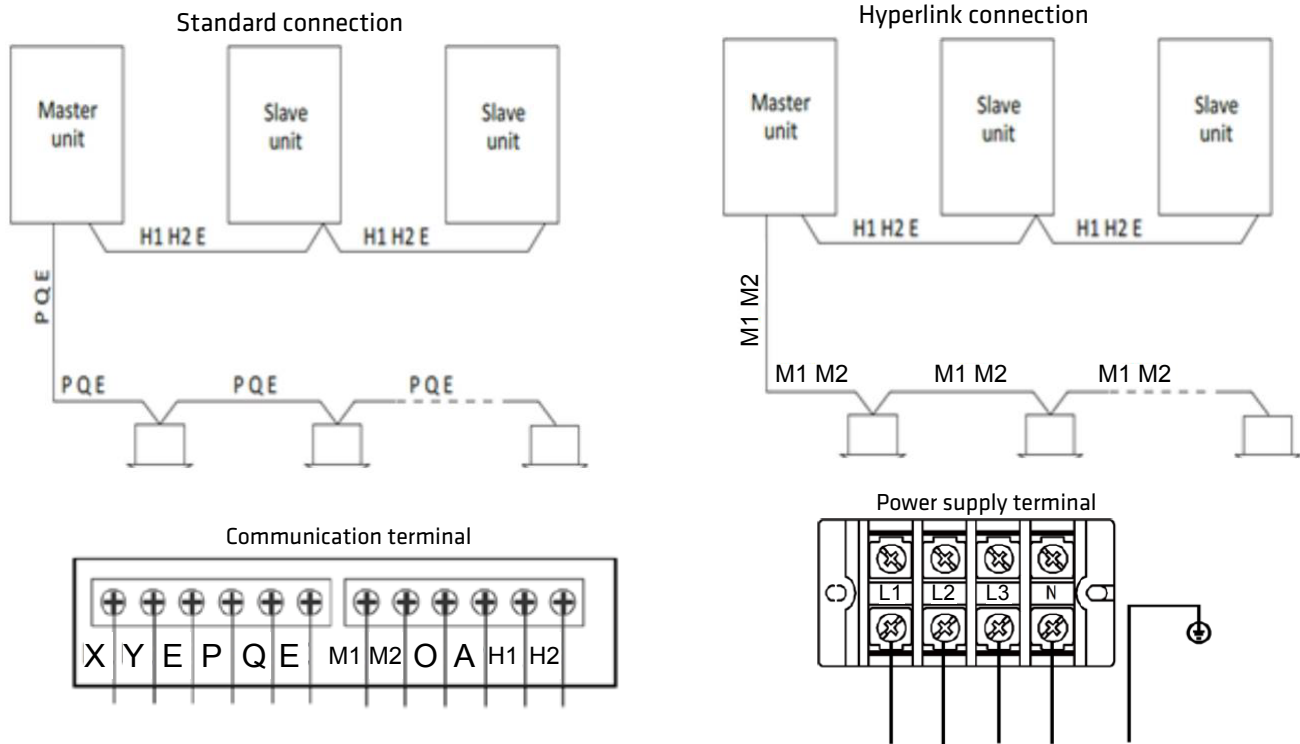
(3) Cooling capacity conditions: Indoor temperature 27°C DB/19°C WB; Outdoor temperature 35°C DB; Equivalent refrigerant piping length 7.5 m with zero level difference; Data calculated with Duct type indoor unit. Heating capacity conditions: Indoor temperature 20°C DB; Outdoor temperature 7°C DB/6°C WB; Equivalent refrigerant piping length 7.5 m with zero level difference; Data calculated with Duct type indoor unit.

(4) Sound pressure level is measured at a position 1 m in front of the unit and 1.3 m above the floor in a semi-anechoic chamber.

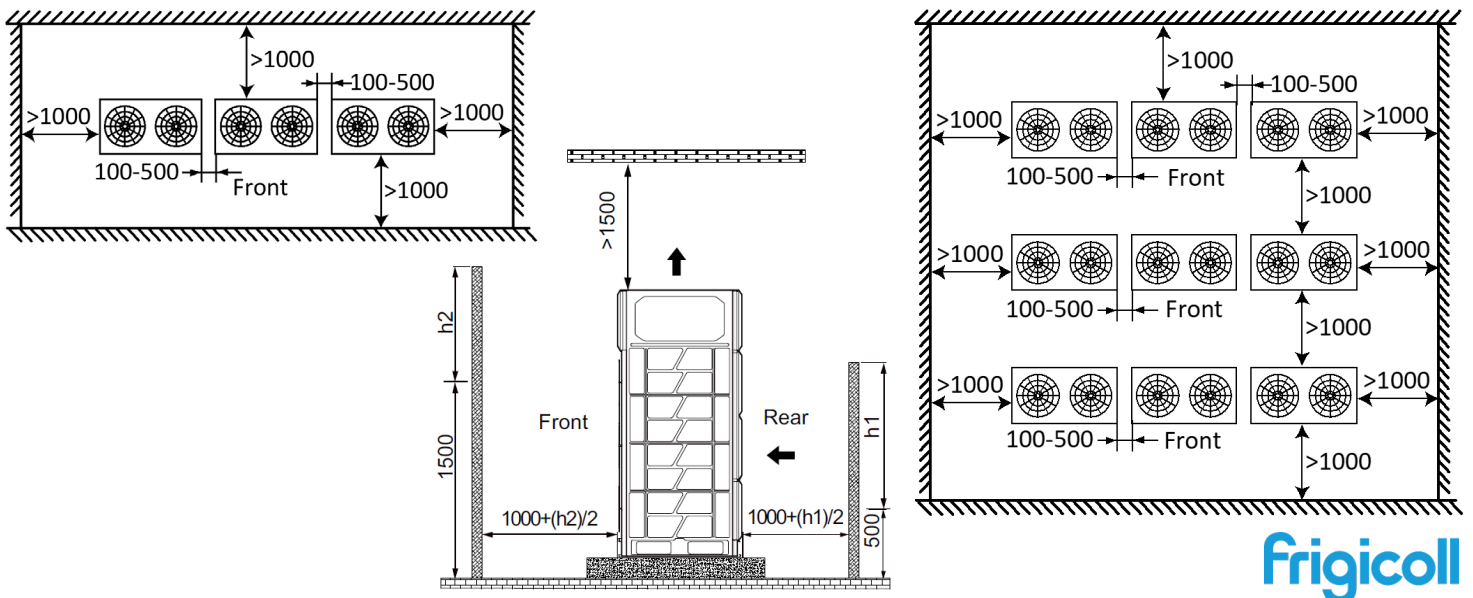
## PIPELINE LENGTH

Max. pipe length		1.100 m
Max. distance between outdoor unit and further indoor unit	Real	220 m
	Equivalent	260 m
From first branch joint to the further indoor unit (query*)		40 m (120 m*)
Height difference		110 m
Height difference between indoor units		40 m

## WIRING DIAGRAM



## INSTALLATION



# Amazon VI

## PRODUCT SHEET



Product certified by:



## FEATURES

Model	K2F-280 DN6
Capacity	10 HP
Cooling capacity rated	28,0 kW
Cooling input rated	9,9 kW
EER	2,82
SEER	6,82
$\eta_{s,c}$	269,8 %
Heating capacity rated	28,0 kW
Heating input rated	7,5 kW
COP	3,78
SCOP	4,07
$\eta_{s,h}$	159,8 %
No. indoor units	16
Air flow	15.600 m <sup>3</sup> /h
Pressure available	20-120 Pa
Sound pressure	58 dB(A)
Sound power level	84 dB(A)
Alimentation	380-415 V / 3 / 50 Hz
Charge de réfrigérant	R410
Refrigerant charge	7 kg
Working range; Outdoor ambient temperature for cooling min / max	-15 / 55 °C
Working range; Outdoor ambient temperature for heating min / max	-30 / 30 °C

## DIMENSIONS & WEIGHT

Width	940 mm
Height	1760 mm
Depth	825 mm
Weight	195 kg

## NOTES:

(1) The data and specifications in this sheet are subject to change without notice.

(2) The images in this sheet are for guidance only and may be different from the actual machine.

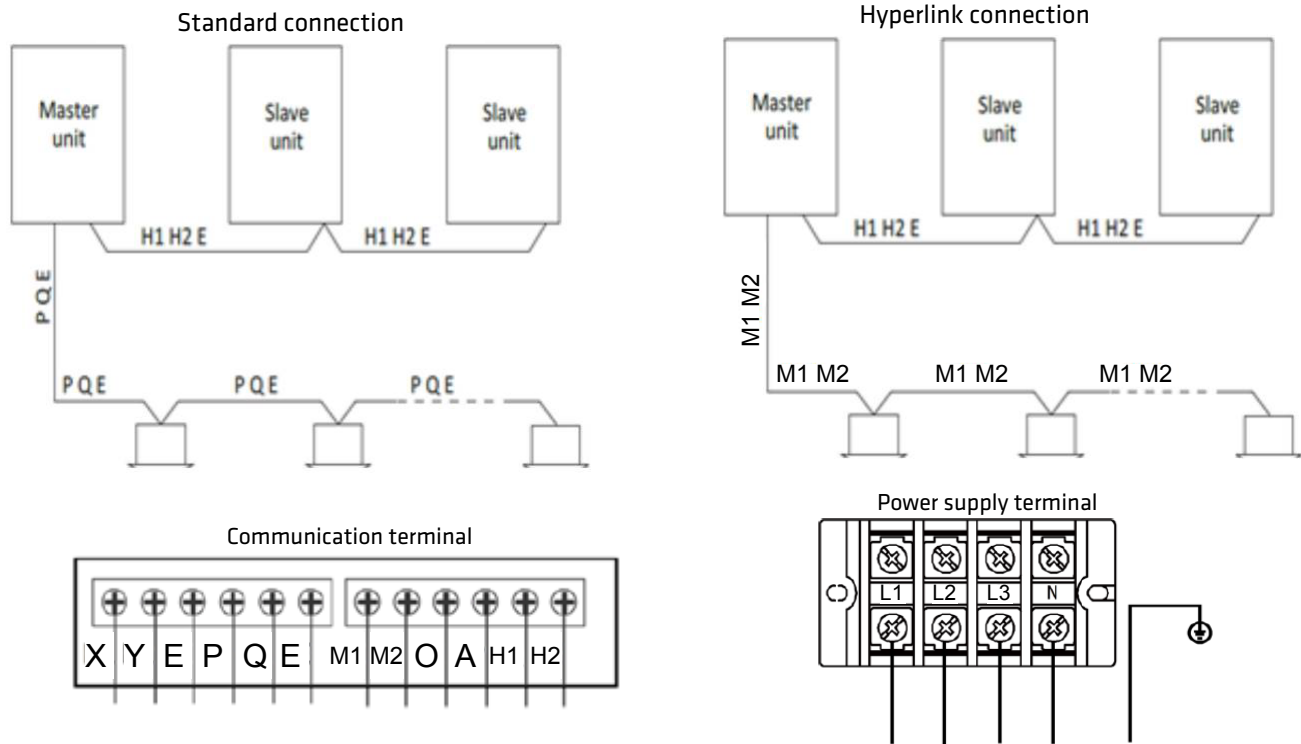
(3) Cooling capacity conditions: Indoor temperature 27°C DB/19°C WB; Outdoor temperature 35°C DB; Equivalent refrigerant piping length 7.5 m with zero level difference; Data calculated with Duct type indoor unit. Heating capacity conditions: Indoor temperature 20°C DB; Outdoor temperature 7°C DB/6°C WB; Equivalent refrigerant piping length 7.5 m with zero level difference; Data calculated with Duct type indoor unit.

(4) Sound pressure level is measured at a position 1 m in front of the unit and 1.3 m above the floor in a semi-anechoic chamber.

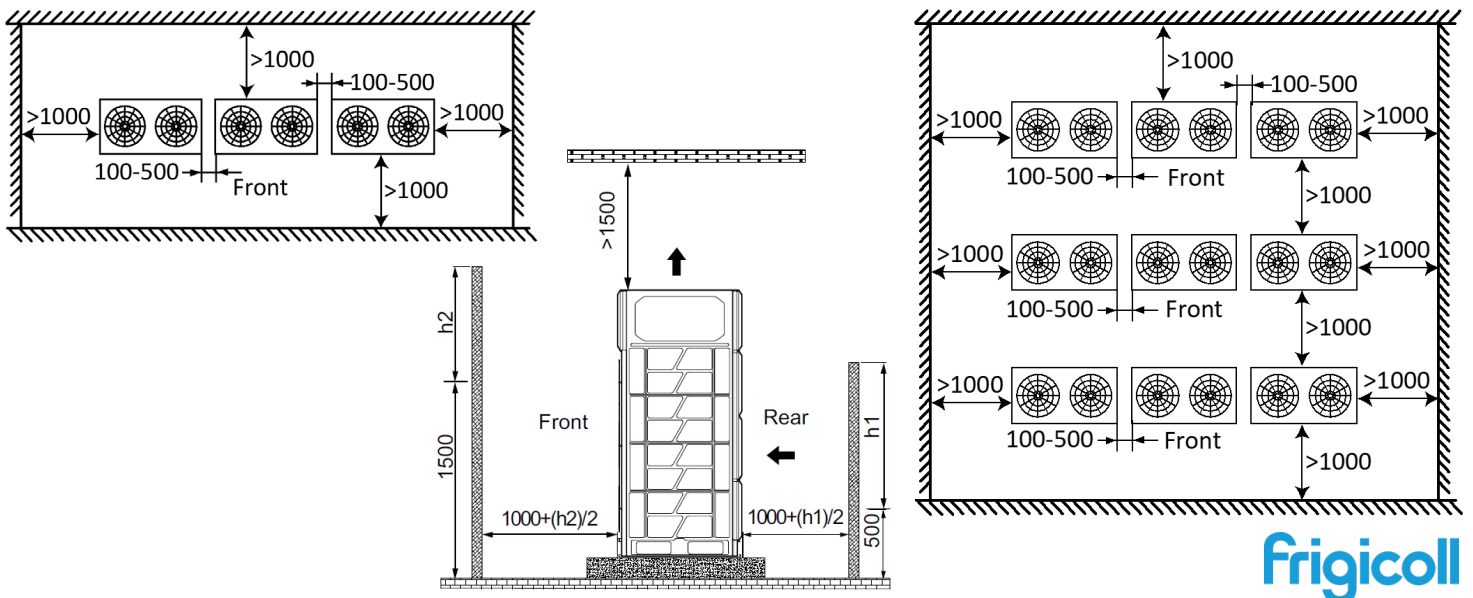
## PIPELINE LENGTH

Max. pipe length		1.100 m
Max. distance between outdoor unit and further indoor unit	Real	220 m
	Equivalent	260 m
From first branch joint to the further indoor unit (query*)		40 m (120 m*)
Height difference		110 m
Height difference between indoor units		40 m

## WIRING DIAGRAM



## INSTALLATION



# Amazon VI

## PRODUCT SHEET



Product certified by:



## FEATURES

Model	K2F-335 DN6
Capacity	12 HP
Cooling capacity rated	33.5 kW
Cooling input rated	13.5 kW
EER	2,48
SEER	6,32
$\eta_{s,c}$	249,8%
Heating capacity rated	33,5 kW
Heating input rated	10,8 kW
COP	3,09
SCOP	4,09
$\eta_{s,h}$	160,6 %
No. indoor units	19
Air flow	13.500 m <sup>3</sup> /h
Pressure available	20-120 Pa
Sound pressure	61 dB(A)
Sound power level	85 dB(A)
Alimentation	380-415 V / 3 / 50 Hz
Charge de réfrigérant	R-410A
Refrigerant charge	7 kg
Working range; Outdoor ambient temperature for cooling min / max	-15 / 55 °C
Working range; Outdoor ambient temperature for heating min / max	-30 / 30 °C

## DIMENSIONS & WEIGHT

Width	940 mm
Height	1760 mm
Depth	825 mm
Weight	195 kg

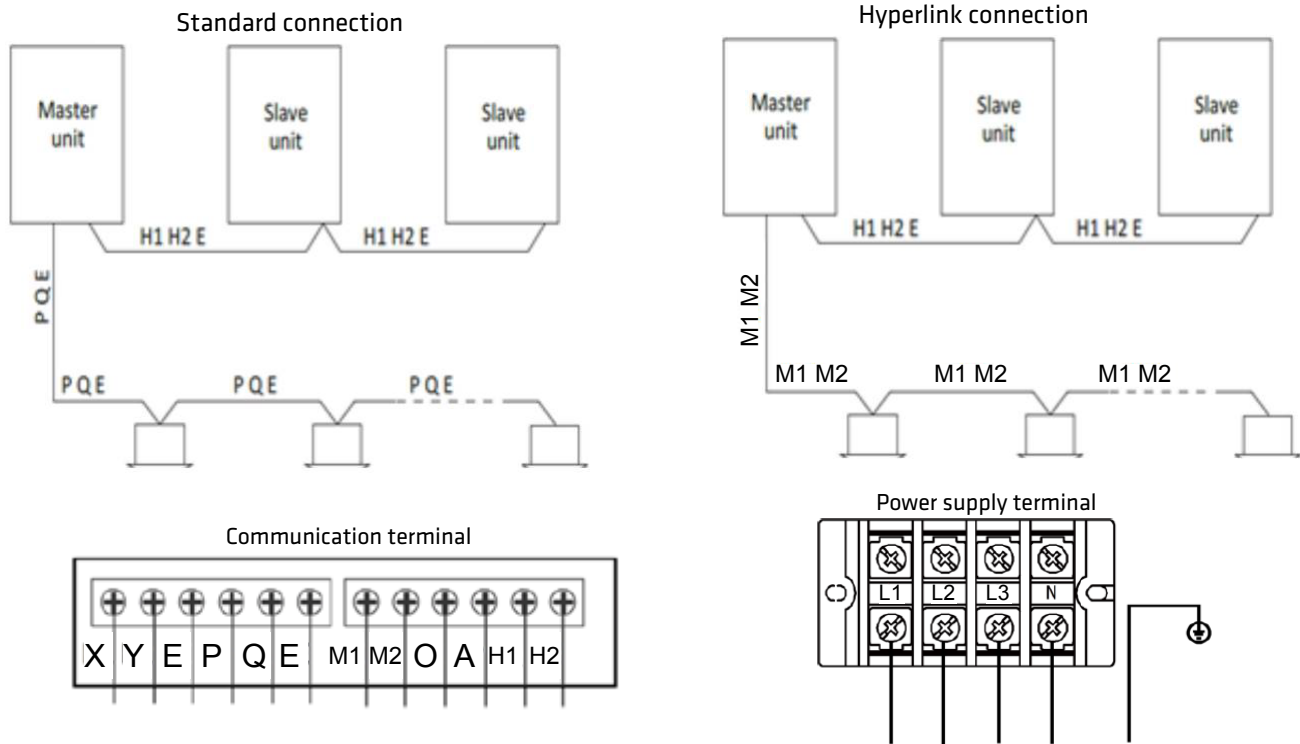
### NOTES:

- (1) The data and specifications in this sheet are subject to change without notice.
- (2) The images in this sheet are for guidance only and may be different from the actual machine.
- (3) Cooling capacity conditions: Indoor temperature 27°C DB/19°C WB; Outdoor temperature 35°C DB; Equivalent refrigerant piping length 7.5 m with zero level difference; Data calculated with Duct type indoor unit. Heating capacity conditions: Indoor temperature 20°C DB; Outdoor temperature 7°C DB/6°C WB; Equivalent refrigerant piping length 7.5 m with zero level difference; Data calculated with Duct type indoor unit.
- (4) Sound pressure level is measured at a position 1 m in front of the unit and 1.3 m above the floor in a semi-anechoic chamber.

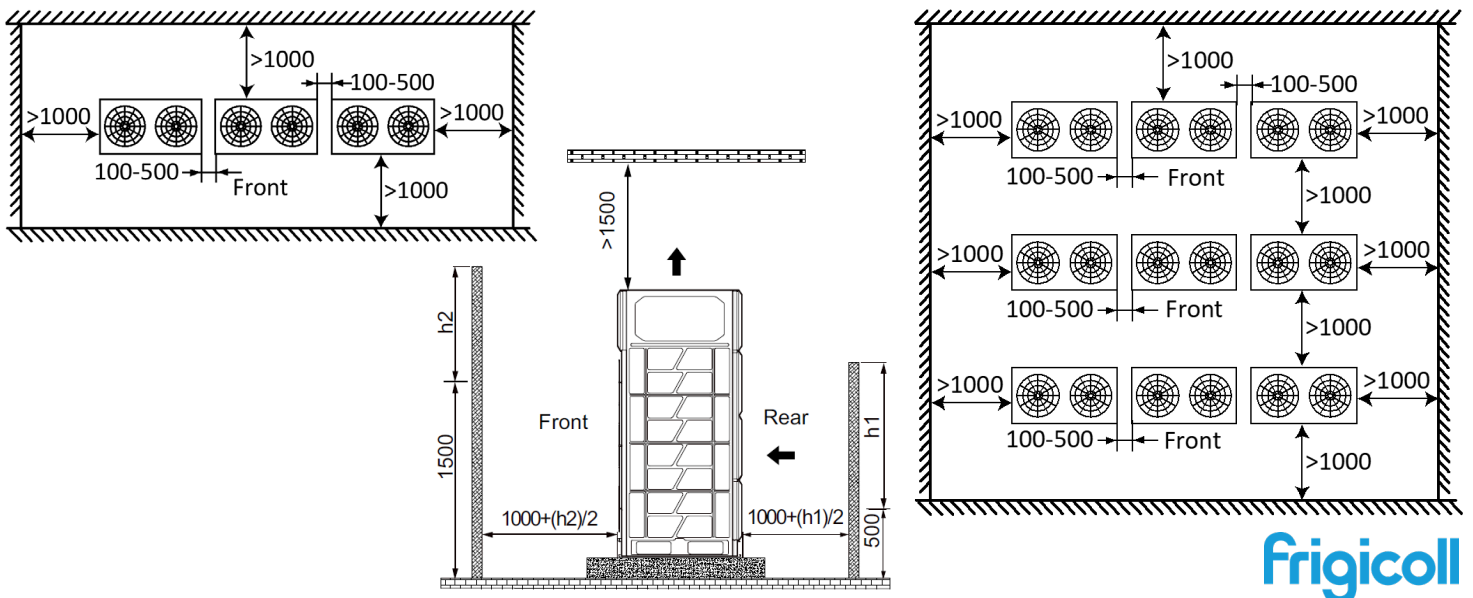
## PIPELINE LENGTH

Max. pipe length		1.100 m
Max. distance between outdoor unit and further indoor unit	Real	220 m
	Equivalent	260 m
From first branch joint to the further indoor unit (query*)		40 m (120 m*)
Height difference		110 m
Height difference between indoor units		40 m

## WIRING DIAGRAM



## INSTALLATION



# Amazon VI

## PRODUCT SHEET



Product certified by:



## FEATURES

Model	K2F-400 DN6
Capacity	14 HP
Cooling capacity rated	40,0 kW
Cooling input rated	17,0 kW
EER	2,35
SEER	6,25
$\eta_{s,c}$	247,0 %
Heating capacity rated	40,0 kW
Heating input rated	11,6 kW
COP	3,45
SCOP	4,12
$\eta_{s,h}$	161,8 %
No. indoor units	23
Air flow	15.600 m <sup>3</sup> /h
Pressure available	20-120 Pa
Sound pressure	65 dB(A)
Sound power level	86 dB(A)
Alimentation	380-415 V / 3 / 50 Hz
Charge de réfrigérant	R-410A
Refrigerant charge	8,4 kg
Working range; Outdoor ambient temperature for cooling min / max	-15 / 55 °C
Working range; Outdoor ambient temperature for heating min / max	-30 / 30 °C

## DIMENSIONS & WEIGHT

Width	940 mm
Height	1760 mm
Depth	825 mm
Weight	215 kg

## NOTES:

(1) The data and specifications in this sheet are subject to change without notice.

(2) The images in this sheet are for guidance only and may be different from the actual machine.

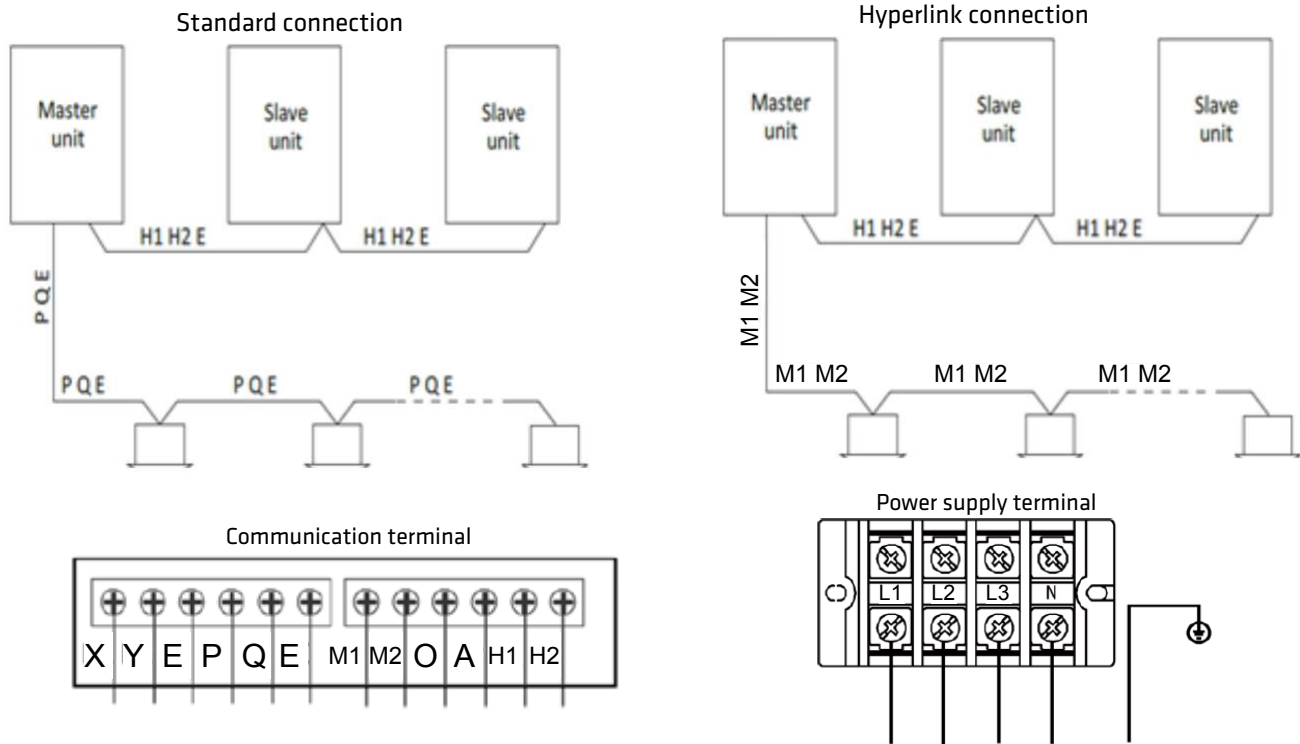
(3) Cooling capacity conditions: Indoor temperature 27°C DB/19°C WB; Outdoor temperature 35°C DB; Equivalent refrigerant piping length 7.5 m with zero level difference; Data calculated with Duct type indoor unit. Heating capacity conditions: Indoor temperature 20°C DB; Outdoor temperature 7°C DB/6°C WB; Equivalent refrigerant piping length 7.5 m with zero level difference; Data calculated with Duct type indoor unit.

(4) Sound pressure level is measured at a position 1 m in front of the unit and 1.3 m above the floor in a semi-anechoic chamber.

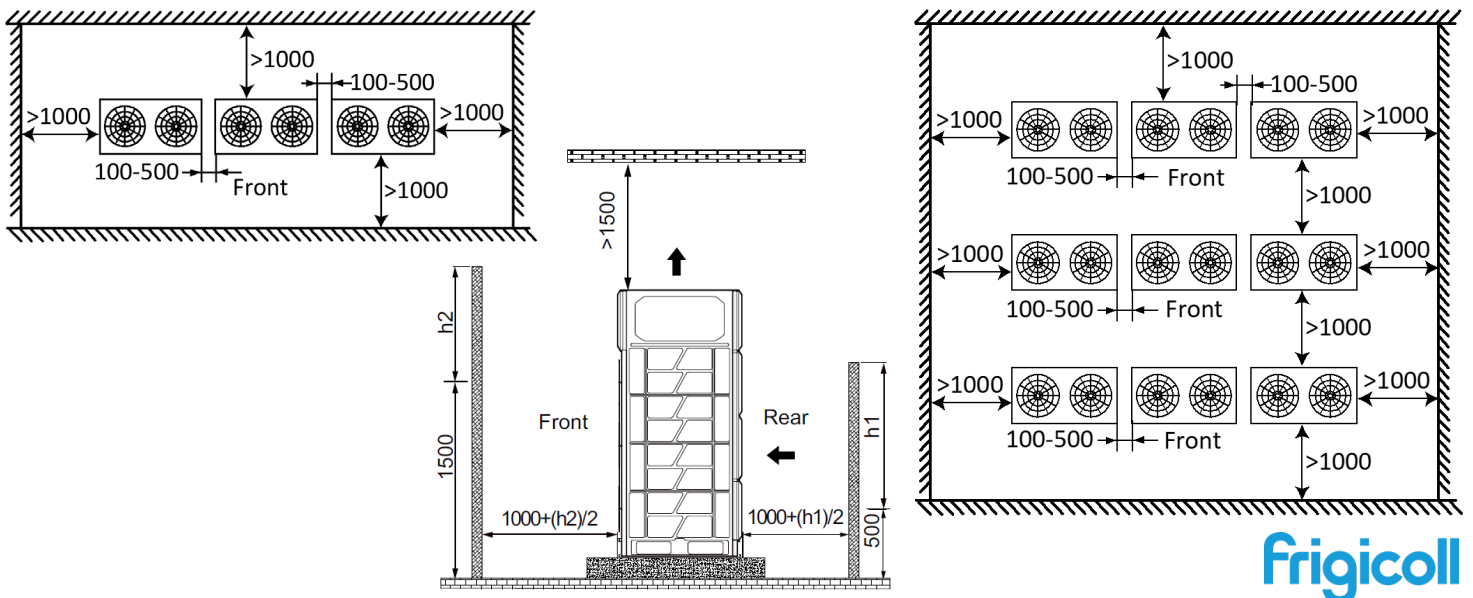
## PIPELINE LENGTH

Max. pipe length		1.100 m
Max. distance between outdoor unit and further indoor unit	Real	220 m
	Equivalent	260 m
From first branch joint to the further indoor unit (query*)		40 m (120 m*)
Height difference		110 m
Height difference between indoor units		40 m

## WIRING DIAGRAM



## INSTALLATION





# Amazon VI

## PRODUCT SHEET



Product certified by:



## FEATURES

Model	K2F-450 DN6
Capacity	16 HP
Cooling capacity rated	45,0 kW
Cooling input rated	22,0 kW
EER	2,05
SEER	6,02
$\eta_{s,c}$	237,8%
Heating capacity rated	45,0 kW
Heating input rated	14,0 kW
COP	3,21
SCOP	4,02
$\eta_{s,h}$	157,8%
No. indoor units	26
Air flow	15.600 m <sup>3</sup> /h
Pressure available	20-120 Pa
Sound pressure	65 dB(A)
Sound power level	86 dB(A)
Alimentation	380-415 V / 3 / 50 Hz
Charge de réfrigérant	R-410A
Refrigerant charge	8,4 kg
Working range; Outdoor ambient temperature for cooling min / max	-15 / 55 °C
Working range; Outdoor ambient temperature for heating min / max	-30 / 30 °C

## DIMENSIONS & WEIGHT

Width	980 mm
Height	1760 mm
Depth	825 mm
Weight	215 kg

## NOTES:

(1) The data and specifications in this sheet are subject to change without notice.

(2) The images in this sheet are for guidance only and may be different from the actual machine.

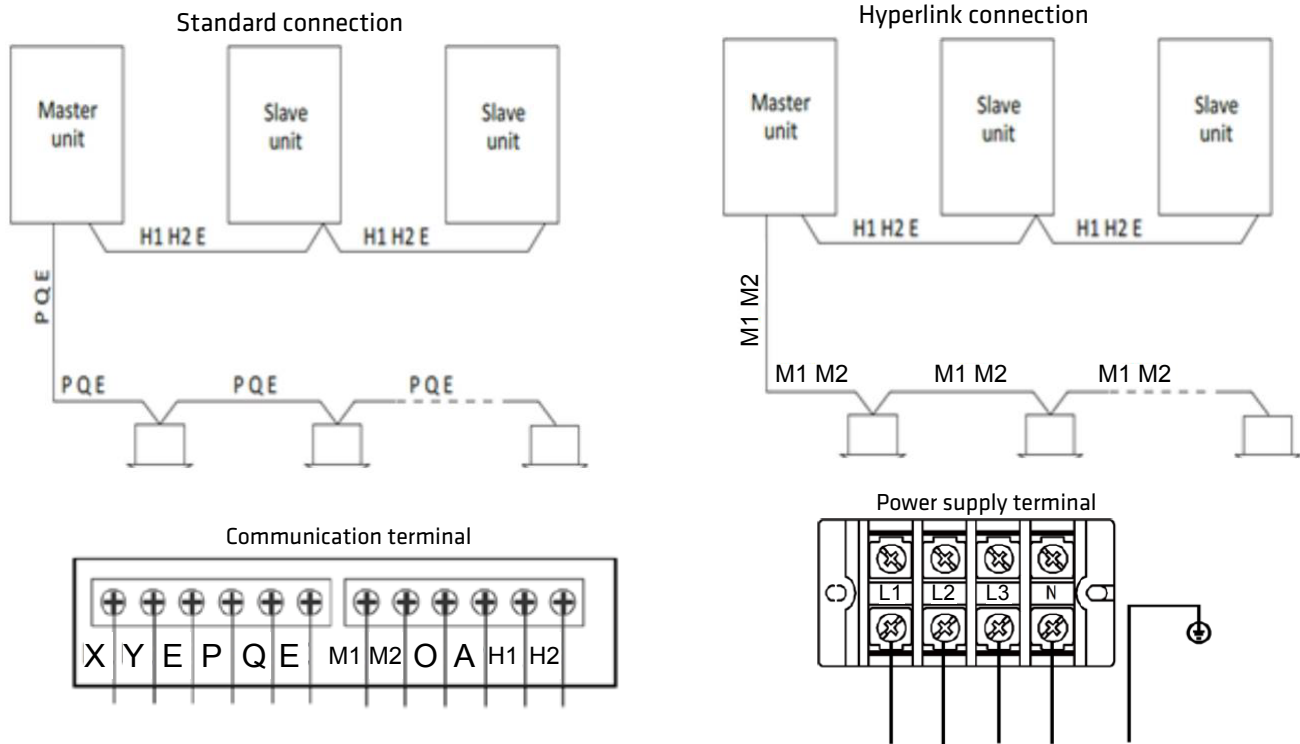
(3) Cooling capacity conditions: Indoor temperature 27°C DB/19°C WB; Outdoor temperature 35°C DB; Equivalent refrigerant piping length 7.5 m with zero level difference; Data calculated with Duct type indoor unit. Heating capacity conditions: Indoor temperature 20°C DB; Outdoor temperature 7°C DB/6°C WB; Equivalent refrigerant piping length 7.5 m with zero level difference; Data calculated with Duct type indoor unit.

(4) Sound pressure level is measured at a position 1 m in front of the unit and 1.3 m above the floor in a semi-anechoic chamber.

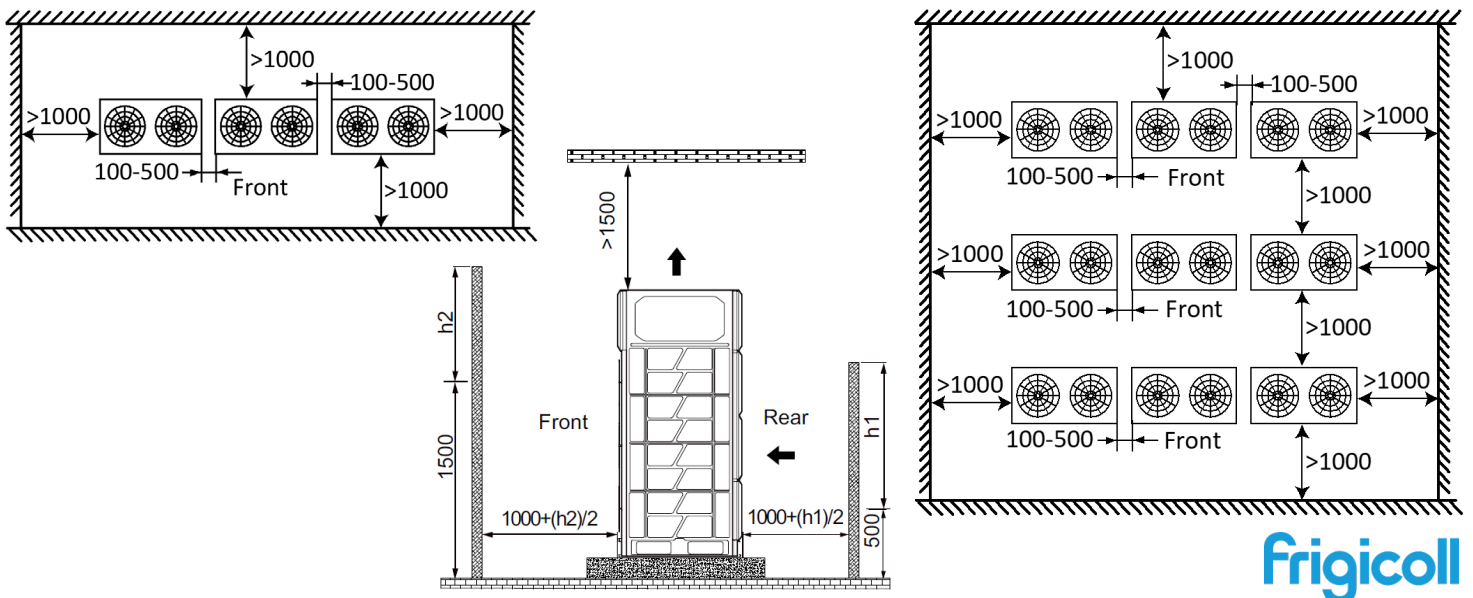
## PIPELINE LENGTH

Max. pipe length		1.100 m
Max. distance between outdoor unit and further indoor unit	Real	220 m
	Equivalent	260 m
From first branch joint to the further indoor unit (query*)		40 m (120 m*)
Height difference		110 m
Height difference between indoor units		40 m

## WIRING DIAGRAM



## INSTALLATION



# Amazon VI

## PRODUCT SHEET



Product certified by:



## FEATURES

Model	K2F-560 DN6
Capacity	20 HP
Cooling capacity rated	56,0 kW
Cooling input rated	26,0 kW
EER	2,15
SEER	6,00
$\eta_{s,c}$	237,0 %
Heating capacity rated	56,0 kW
Heating input rated	17,2 kW
COP	3,25
SCOP	4,03
$\eta_{s,h}$	158,2 %
No. indoor units	33
Air flow	22.200 m <sup>3</sup> /h
Pressure available	20-120 Pa
Sound pressure	66 dB(A)
Sound power level	89 dB(A)
Alimentation	380-415 V / 3 / 50 Hz
Charge de réfrigérant	R-410A
Refrigerant charge	9,3 kg
Working range; Outdoor ambient temperature for cooling min / max	-15 / 55 °C
Working range; Outdoor ambient temperature for heating min / max	-30 / 30 °C

## DIMENSIONS & WEIGHT

Width	1340 mm
Height	1760 mm
Depth	825 mm
Weight	295 kg

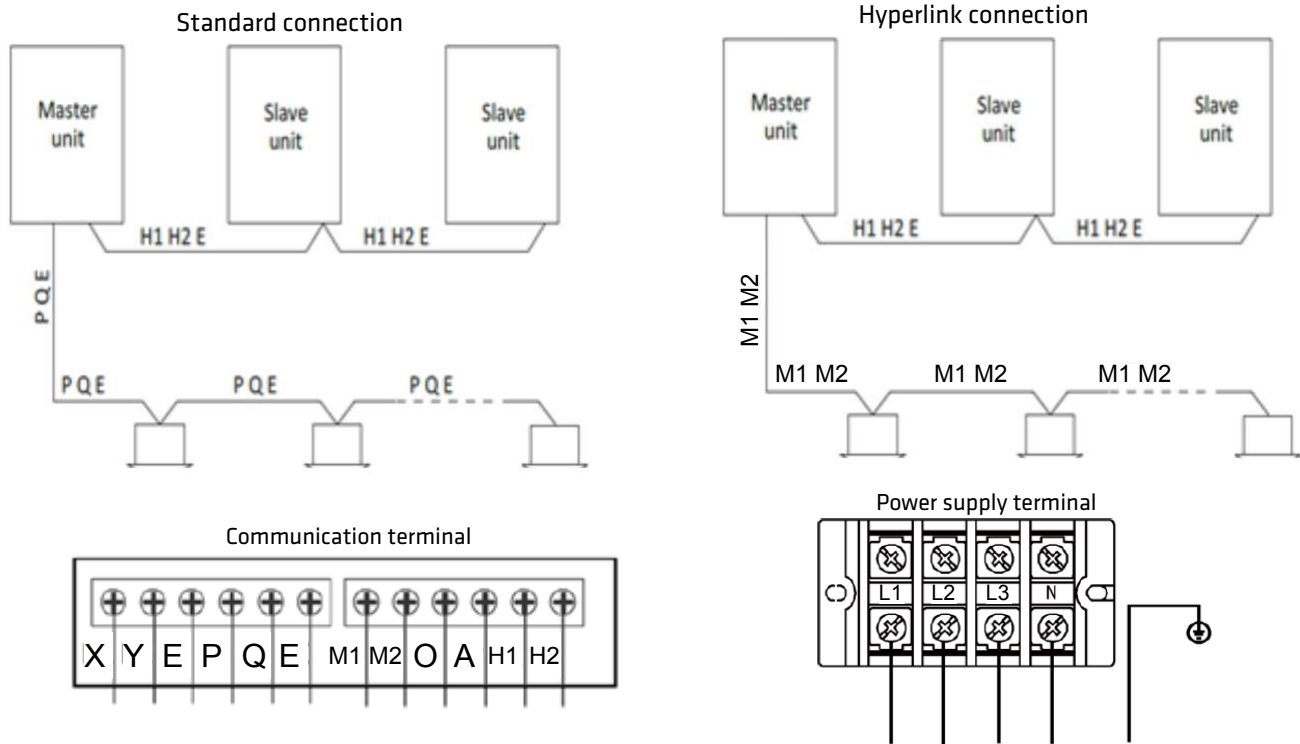
### NOTES:

- (1) The data and specifications in this sheet are subject to change without notice.
- (2) The images in this sheet are for guidance only and may be different from the actual machine.
- (3) Cooling capacity conditions: Indoor temperature 27°C DB/19°C WB; Outdoor temperature 35°C DB; Equivalent refrigerant piping length 7.5 m with zero level difference; Data calculated with Duct type indoor unit. Heating capacity conditions: Indoor temperature 20°C DB; Outdoor temperature 7°C DB/6°C WB; Equivalent refrigerant piping length 7.5 m with zero level difference; Data calculated with Duct type indoor unit.
- (4) Sound pressure level is measured at a position 1 m in front of the unit and 1.3 m above the floor in a semi-anechoic chamber.

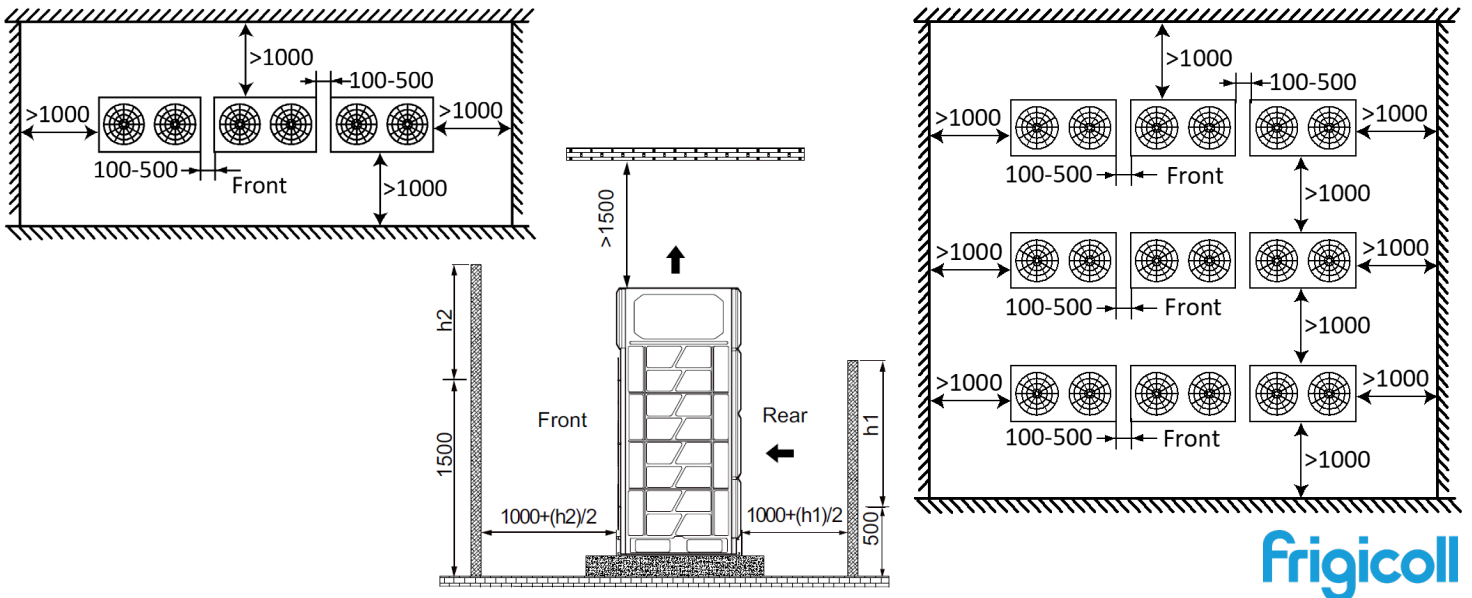
## PIPELINE LENGTH

Max. pipe length		1.100 m
Max. distance between outdoor unit and further indoor unit	Real	220 m
	Equivalent	260 m
From first branch joint to the further indoor unit (query*)		40 m (120 m*)
Height difference		110 m
Height difference between indoor units		40 m

## WIRING DIAGRAM



## INSTALLATION



# Amazon VI

## PRODUCT SHEET



Product certified by:



### FEATURES

Model	K2F-615 DN6
Capacity	22 HP
Cooling capacity rated	61,5 kW
Cooling input rated	27,7 kW
EER	2,22
SEER	5,93
$\eta_{s,c}$	234,2%
Heating capacity rated	61,5 kW
Heating input rated	18,4 kW
COP	3,35
SCOP	4,21
$\eta_{s,h}$	165,4 %
No. indoor units	36
Air flow	21.500 m <sup>3</sup> /h
Pressure available	20-120 Pa
Sound pressure	66 dB(A)
Sound power level	89 dB(A)
Alimentation	380-415 V / 3 / 50 Hz
Charge de réfrigérant	R-410A
Refrigerant charge	11,96 kg
Working range; Outdoor ambient temperature for cooling min / max	-15 / 55 °C
Working range; Outdoor ambient temperature for heating min / max	-30 / 30 °C

### DIMENSIONS & WEIGHT

Width	1340 mm
Height	1760 mm
Depth	825 mm
Weight	315 kg

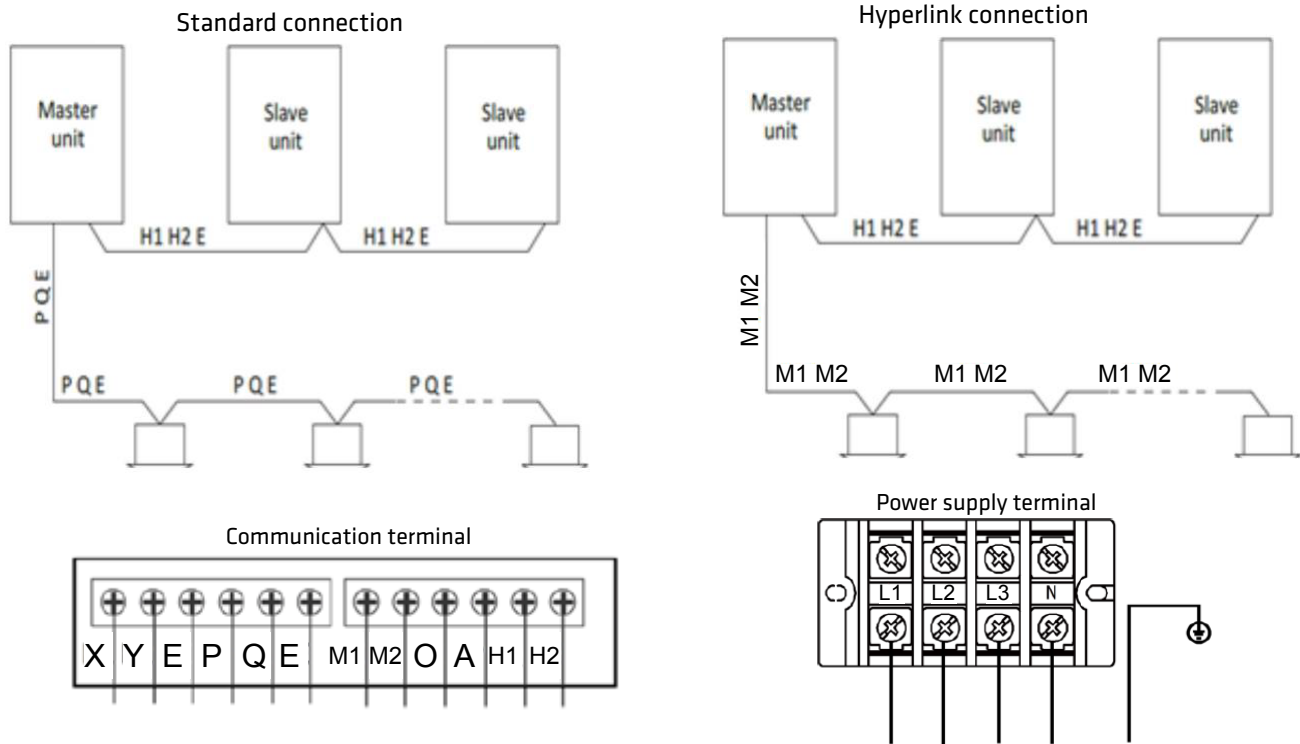
## NOTES:

- (1) The data and specifications in this sheet are subject to change without notice.
- (2) The images in this sheet are for guidance only and may be different from the actual machine.
- (3) Cooling capacity conditions: Indoor temperature 27°C DB/19°C WB; Outdoor temperature 35°C DB; Equivalent refrigerant piping length 7.5 m with zero level difference; Data calculated with Duct type indoor unit. Heating capacity conditions: Indoor temperature 20°C DB; Outdoor temperature 7°C DB/6°C WB; Equivalent refrigerant piping length 7.5 m with zero level difference; Data calculated with Duct type indoor unit.
- (4) Sound pressure level is measured at a position 1 m in front of the unit and 1.3 m above the floor in a semi-anechoic chamber.

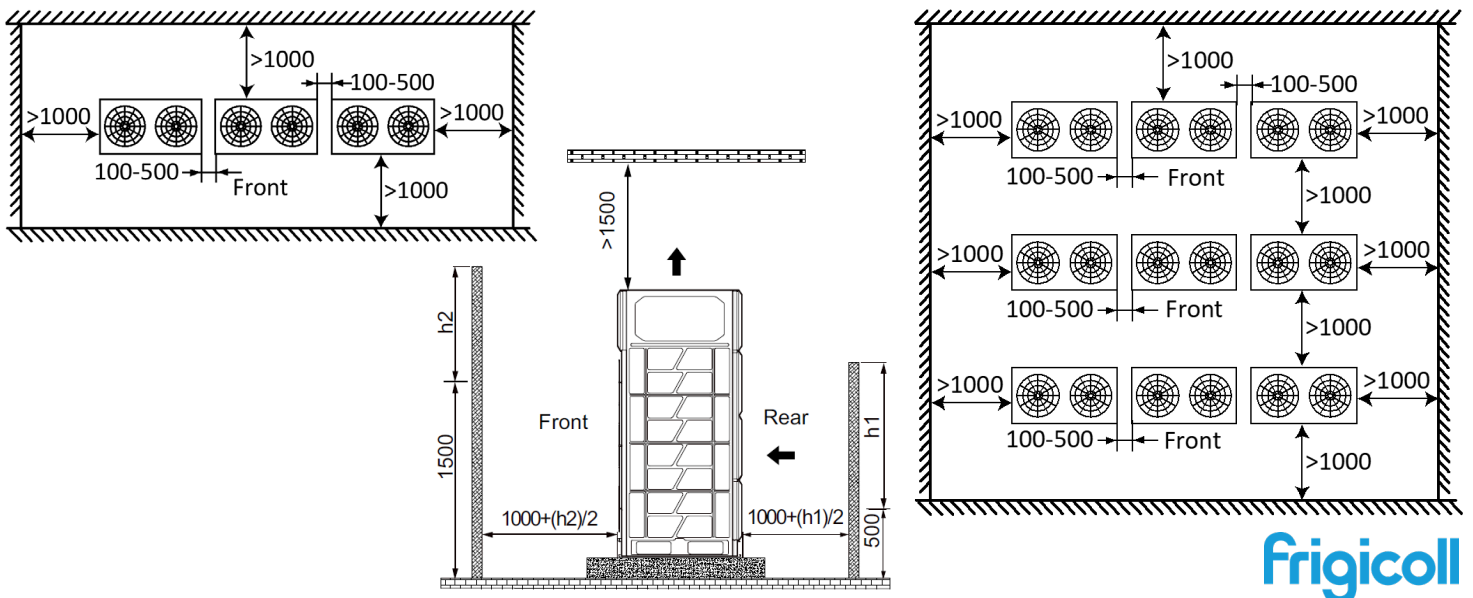
## PIPELINE LENGTH

Max. pipe length		1.100 m
Max. distance between outdoor unit and further indoor unit	Real	220 m
	Equivalent	260 m
From first branch joint to the further indoor unit (query*)		40 m (120 m*)
Height difference		110 m
Height difference between indoor units		40 m

## WIRING DIAGRAM



## INSTALLATION



# Amazon VI

## PRODUCT SHEET



Product certified by:



## FEATURES

Model	K2F-670 DN6
Capacity	24 HP
Cooling capacity rated	67,0 kW
Cooling input rated	32,7 kW
EER	2,05
SEER	5,98
$\eta_{s,c}$	236,2 %
Heating capacity rated	67,0 kW
Heating input rated	20,2 kW
COP	3,31
SCOP	4,08
$\eta_{s,h}$	160,2 %
No. indoor units	39
Air flow	21.500 m <sup>3</sup> /h
Pressure available	20-120 Pa
Sound pressure	67 dB(A)
Sound power level	92 dB(A)
Alimentation	380-415 V / 3 / 50 Hz
Charge de réfrigérant	R-410A
Refrigerant charge	11,96 kg
Working range; Outdoor ambient temperature for cooling min / max	-15 / 55 °C
Working range; Outdoor ambient temperature for heating min / max	-30 / 30 °C

## DIMENSIONS & WEIGHT

Width	1340 mm
Height	1760 mm
Depth	825 mm
Weight	315 kg

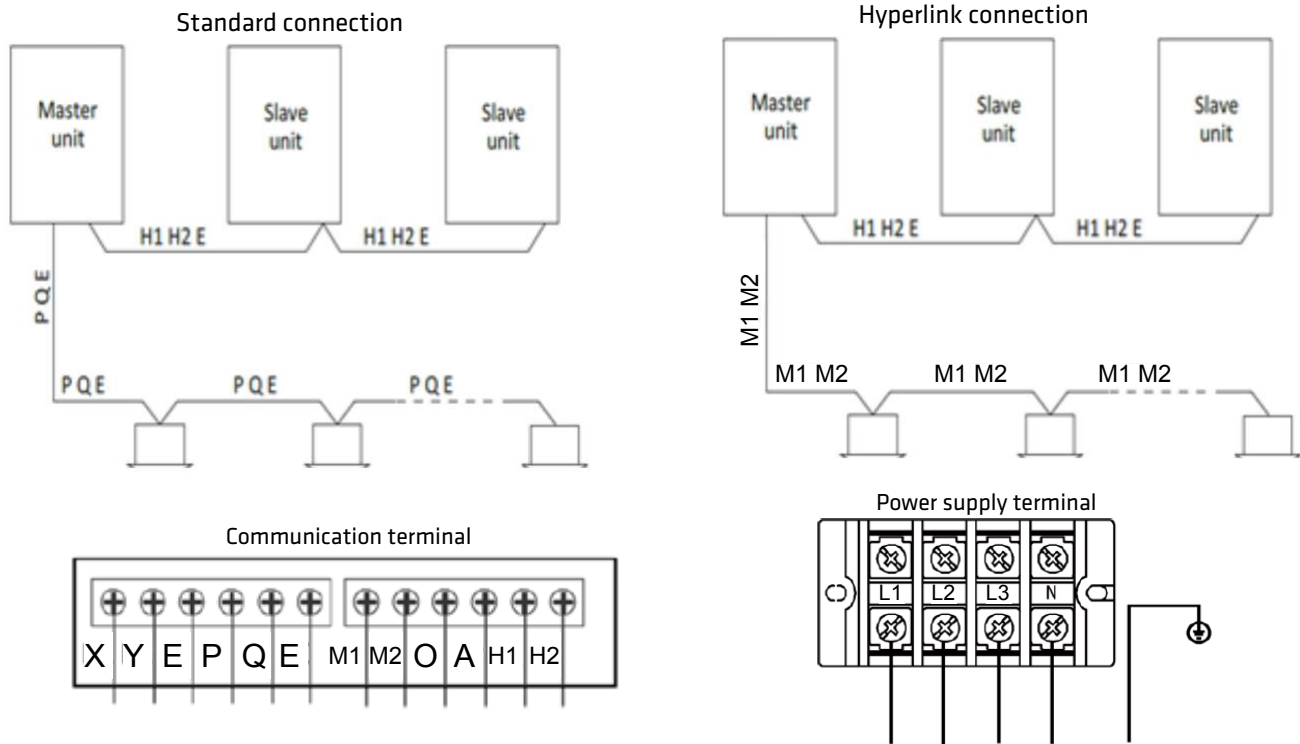
## NOTES:

- (1) The data and specifications in this sheet are subject to change without notice.
- (2) The images in this sheet are for guidance only and may be different from the actual machine.
- (3) Cooling capacity conditions: Indoor temperature 27°C DB/19°C WB; Outdoor temperature 35°C DB; Equivalent refrigerant piping length 7.5 m with zero level difference; Data calculated with Duct type indoor unit. Heating capacity conditions: Indoor temperature 20°C DB; Outdoor temperature 7°C DB/6°C WB; Equivalent refrigerant piping length 7.5 m with zero level difference; Data calculated with Duct type indoor unit.
- (4) Sound pressure level is measured at a position 1 m in front of the unit and 1.3 m above the floor in a semi-anechoic chamber.

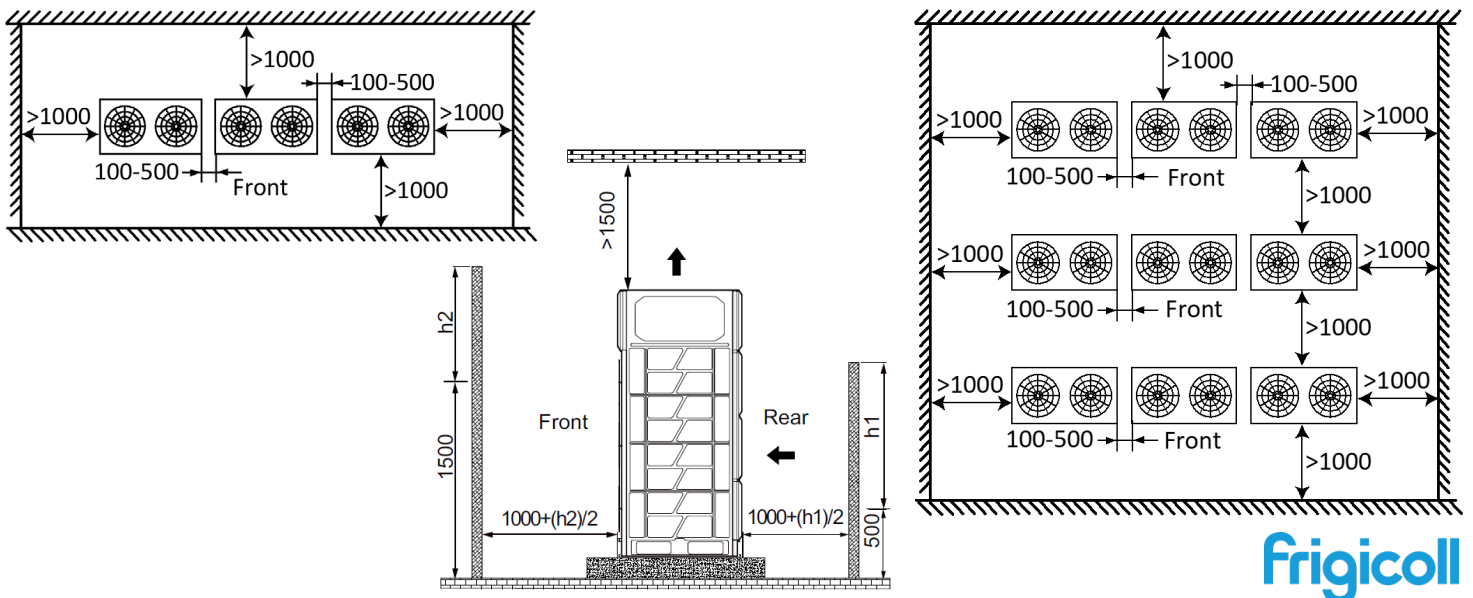
## PIPELINE LENGTH

Max. pipe length		1.100 m
Max. distance between outdoor unit and further indoor unit	Real	220 m
	Equivalent	260 m
From first branch joint to the further indoor unit (query*)		40 m (120 m*)
Height difference		110 m
Height difference between indoor units		40 m

## WIRING DIAGRAM



## INSTALLATION







**Kaysun**  
by frigicoll

# Midea V8 PRO

## MV8-785WV2RN1E(PRO)

ES

FR

ENGLISH

LANGUAGES

## PRODUCT SHEET



Product certified by:



## FEATURES

Model	K2F-785 DN6
Capacity	28 HP
Cooling capacity rated	78,5 kW
Cooling input rated	32,4 kW
EER	2,42
SEER	5,93
$\eta_{s,c}$	234,2%
Heating capacity rated	78,5 kW
Heating input rated	24,5 kW
COP	3,20
SCOP	4,12
$\eta_{s,h}$	161,8%
No. indoor units	46
Air flow	28.000 m <sup>3</sup> /h
Pressure available	20-120 Pa
Sound pressure	68 dB(A)
Sound power level	93 dB(A)
Alimentation	380-415 V / 3 / 50 Hz
Charge de réfrigérant	R-410A
Refrigerant charge	11,96 kg
Working range; Outdoor ambient temperature for cooling min / max	-15 / 55 °C
Working range; Outdoor ambient temperature for heating min / max	-30 / 30 °C

## DIMENSIONS & WEIGHT

Width	1880 mm
Height	1760 mm
Depth	825 mm
Weight	396 kg

## NOTES:

(1) The data and specifications in this sheet are subject to change without notice.

(2) The images in this sheet are for guidance only and may be different from the actual machine.

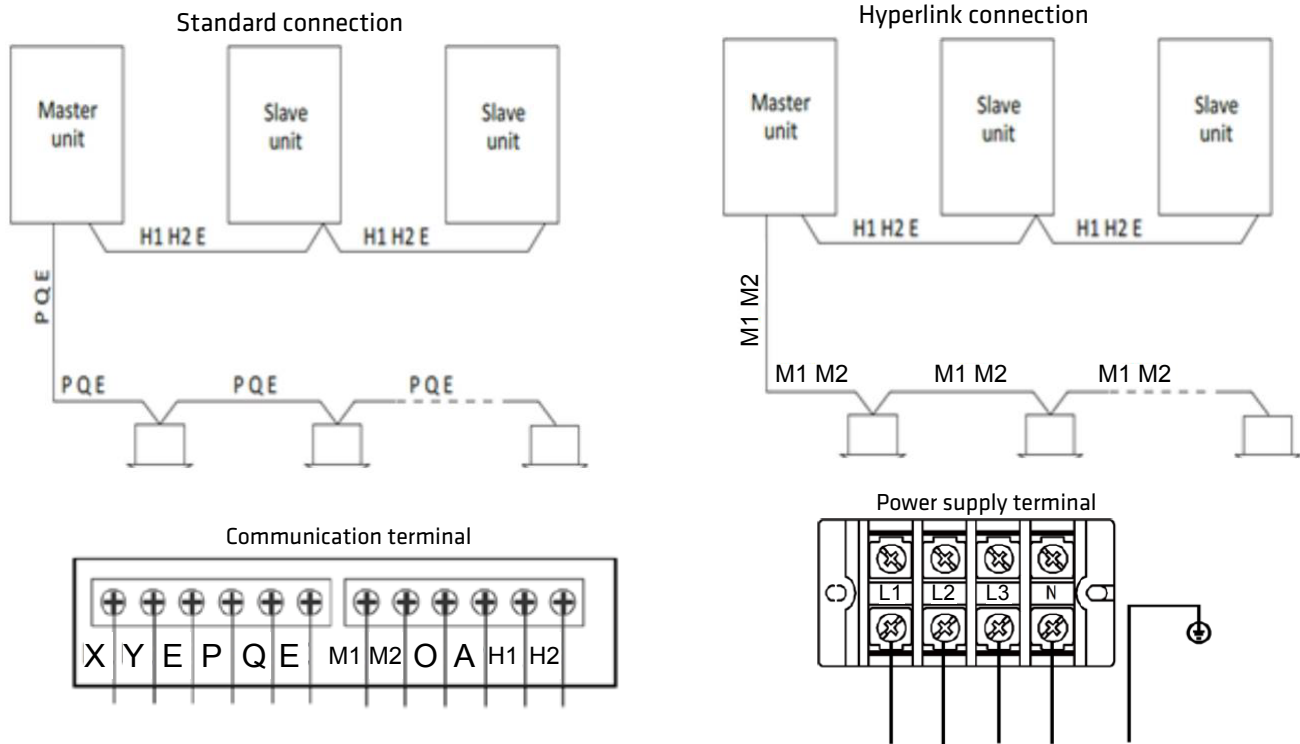
(3) Cooling capacity conditions: Indoor temperature 27°C DB/19°C WB; Outdoor temperature 35°C DB; Equivalent refrigerant piping length 7.5 m with zero level difference; Data calculated with Duct type indoor unit. Heating capacity conditions: Indoor temperature 20°C DB; Outdoor temperature 7°C DB/6°C WB; Equivalent refrigerant piping length 7.5 m with zero level difference; Data calculated with Duct type indoor unit.

(4) Sound pressure level is measured at a position 1 m in front of the unit and 1.3 m above the floor in a semi-anechoic chamber.

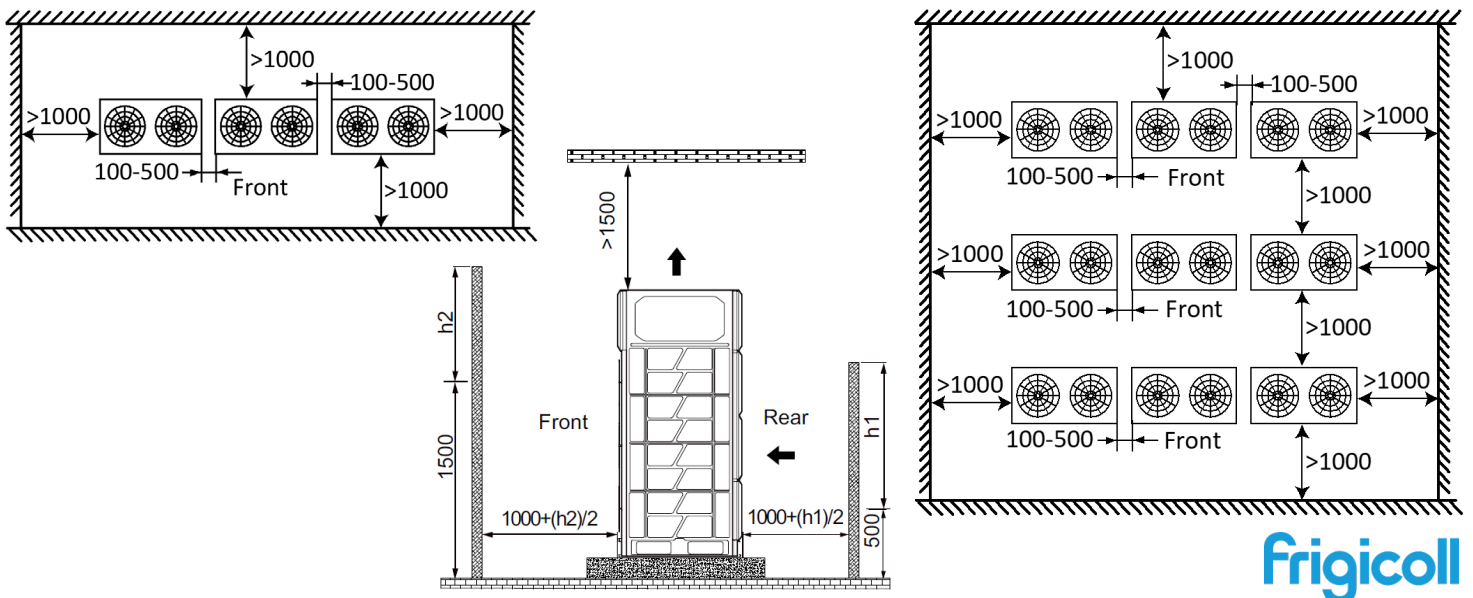
## PIPELINE LENGTH

Max. pipe length		1.100 m
Max. distance between outdoor unit and further indoor unit	Real	220 m
	Equivalent	260 m
From first branch joint to the further indoor unit (query*)		40 m (120 m*)
Height difference		110 m
Height difference between indoor units		40 m

## WIRING DIAGRAM



## INSTALLATION



# Amazon VI

## PRODUCT SHEET



Product certified by:



## FEATURES

Model	K2F-900 DN6
Capacity	32 HP
Cooling capacity rated	90,0 kW
Cooling input rated	43,9 kW
EER	2,25
SEER	5,81
$\eta_{s,c}$	229,4 %
Heating capacity rated	90,0 kW
Heating input rated	29,9 kW
COP	3,11
SCOP	4,00
$\eta_{s,h}$	157,0 %
No. indoor units	53
Air flow	28.000 m <sup>3</sup> /h
Pressure available	20-120 Pa
Sound pressure	68 dB(A)
Sound power level	93 dB(A)
Alimentation	380-415 V / 3 / 50 Hz
Charge de réfrigérant	R-410A
Refrigerant charge	11,96 kg
Working range; Outdoor ambient temperature for cooling min / max	-15 / 55 °C
Working range; Outdoor ambient temperature for heating min / max	-30 / 30 °C

## DIMENSIONS & WEIGHT

Width	1880 mm
Height	1760 mm
Depth	825 mm
Weight	396 kg

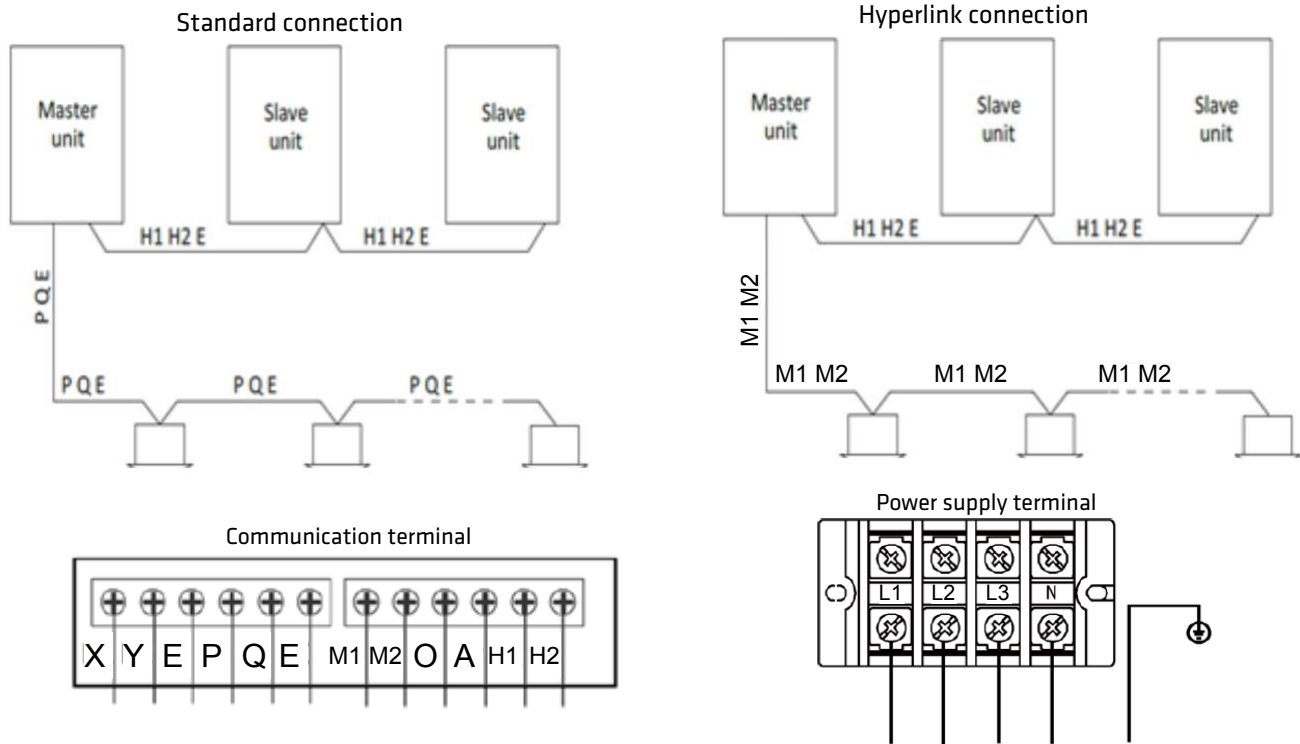
## NOTES:

- (1) The data and specifications in this sheet are subject to change without notice.
- (2) The images in this sheet are for guidance only and may be different from the actual machine.
- (3) Cooling capacity conditions: Indoor temperature 27°C DB/19°C WB; Outdoor temperature 35°C DB; Equivalent refrigerant piping length 7.5 m with zero level difference; Data calculated with Duct type indoor unit. Heating capacity conditions: Indoor temperature 20°C DB; Outdoor temperature 7°C DB/6°C WB; Equivalent refrigerant piping length 7.5 m with zero level difference; Data calculated with Duct type indoor unit.
- (4) Sound pressure level is measured at a position 1 m in front of the unit and 1.3 m above the floor in a semi-anechoic chamber.

## PIPELINE LENGTH

Max. pipe length		1.100 m
Max. distance between outdoor unit and further indoor unit	Real	220 m
	Equivalent	260 m
From first branch joint to the further indoor unit (query*)		40 m (120 m*)
Height difference		110 m
Height difference between indoor units		40 m

## WIRING DIAGRAM



## INSTALLATION

