

Amazon Unitario FD

PRODUCT SHEET



Product certified by:



FEATURES

Model	KMF-400 DN6
Capacity	14 HP
Cooling capacity rated	40,0 kW
Cooling input rated	15,7 kW
EER	2,54
SEER	6,23
$\eta_{s,c}$	263 %
Heating capacity rated	40,0 kW
Heating input rated	11,7 kW
COP	3,42
SCOP	4,00
$\eta_{s,h}$	163 %
No. indoor units	22
Air flow	12.500 m ³ /h
Pressure available	35-80 Pa
Sound pressure	59 dB(A)
Sound power level	82 dB(A)
Alimentation	380-415 V / 3 / 50 Hz
Charge de réfrigérant	R-410A
Refrigerant charge	7,4 kg
Working range; Outdoor ambient temperature for cooling min / max	-15 / 55 °C
Working range; Outdoor ambient temperature for heating min / max	-30 / 30 °C

DIMENSIONS & WEIGHT

Width	1130 mm
Height	1760 mm
Depth	580 mm
Weight	187 kg

NOTES:

(1) The data and specifications in this sheet are subject to change without notice.

(2) The images in this sheet are for guidance only and may be different from the actual machine.

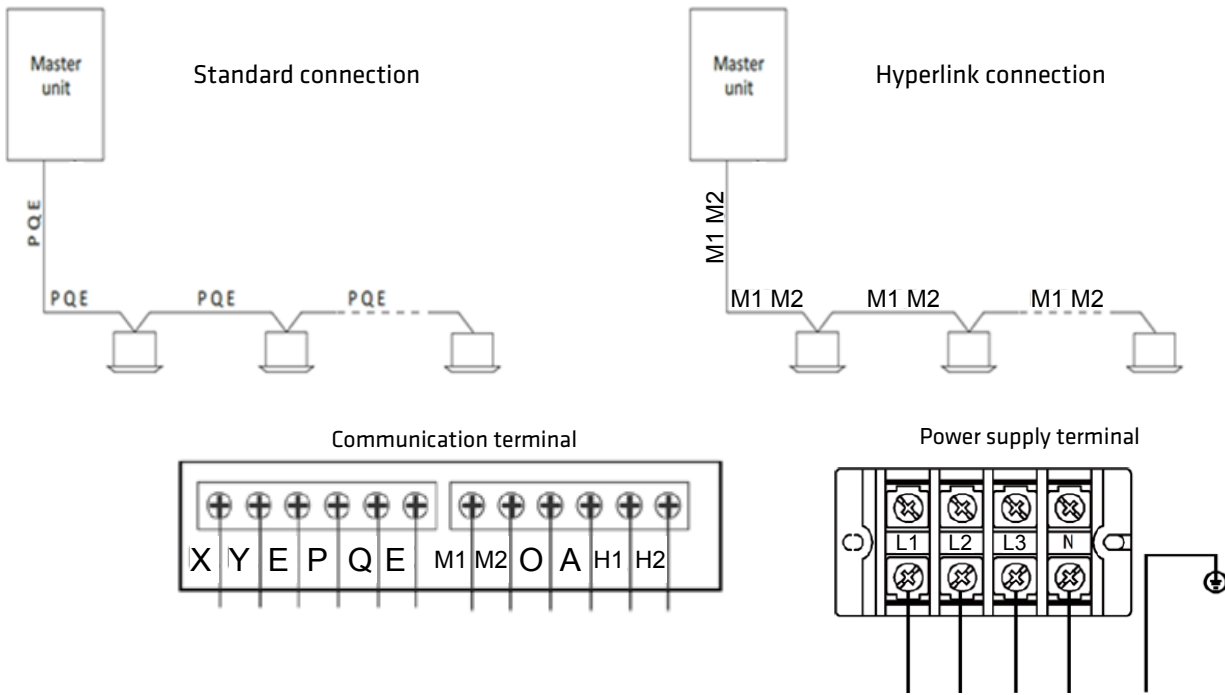
(3) Cooling capacity conditions: Indoor temperature 27°C DB/19°C WB; Outdoor temperature 35°C DB; Equivalent refrigerant piping length 7.5 m with zero level difference; Data calculated with Duct type indoor unit. Heating capacity conditions: Indoor temperature 20°C DB; Outdoor temperature 7°C DB/6°C WB; Equivalent refrigerant piping length 7.5 m with zero level difference; Data calculated with Duct type indoor unit.

(4) Sound pressure level is measured at a position 1 m in front of the unit and 1.3 m above the floor in a semi-anechoic chamber.

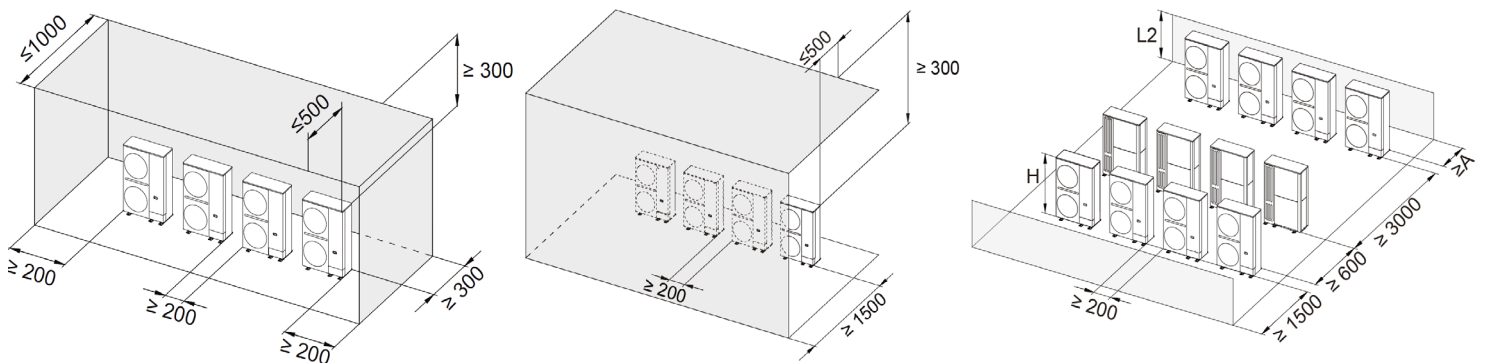
PIPELINE LENGTH

Max. pipe length		560 m
Max. distance between outdoor unit and further indoor unit	Real	150 m
	Equivalent	175 m
From first branch joint to the further indoor unit (query*)		40 m (90 m*)
Height difference	Outdoor unit top	50 m
	Outdoor unit down	40 m
Height difference between indoor units		30 m

WIRING DIAGRAM



INSTALLATION



Amazon Unitario FD

PRODUCT SHEET



Product certified by:



FEATURES

Model	KMF-450 DN6
Capacity	16 HP
Cooling capacity rated	45,0 kW
Cooling input rated	16,0 kW
EER	2,82
SEER	6,15
$\eta_{s,c}$	267,8 %
Heating capacity rated	45,0 kW
Heating input rated	11,2 kW
COP	3,68
SCOP	4,10
$\eta_{s,h}$	166,2 %
No. indoor units	26
Air flow	18.500 m ³ /h
Pressure available	35-80 Pa
Sound pressure	60 dB(A)
Sound power level	86 dB(A)
Alimentation	380-415 V / 3 / 50 Hz
Charge de réfrigérant	R410
Refrigerant charge	8 kg
Working range; Outdoor ambient temperature for cooling min / max	-15 / 55 °C
Working range; Outdoor ambient temperature for heating min / max	-30 / 30 °C

DIMENSIONS & WEIGHT

Width	1250 mm
Height	1760 mm
Depth	580 mm
Weight	214 kg

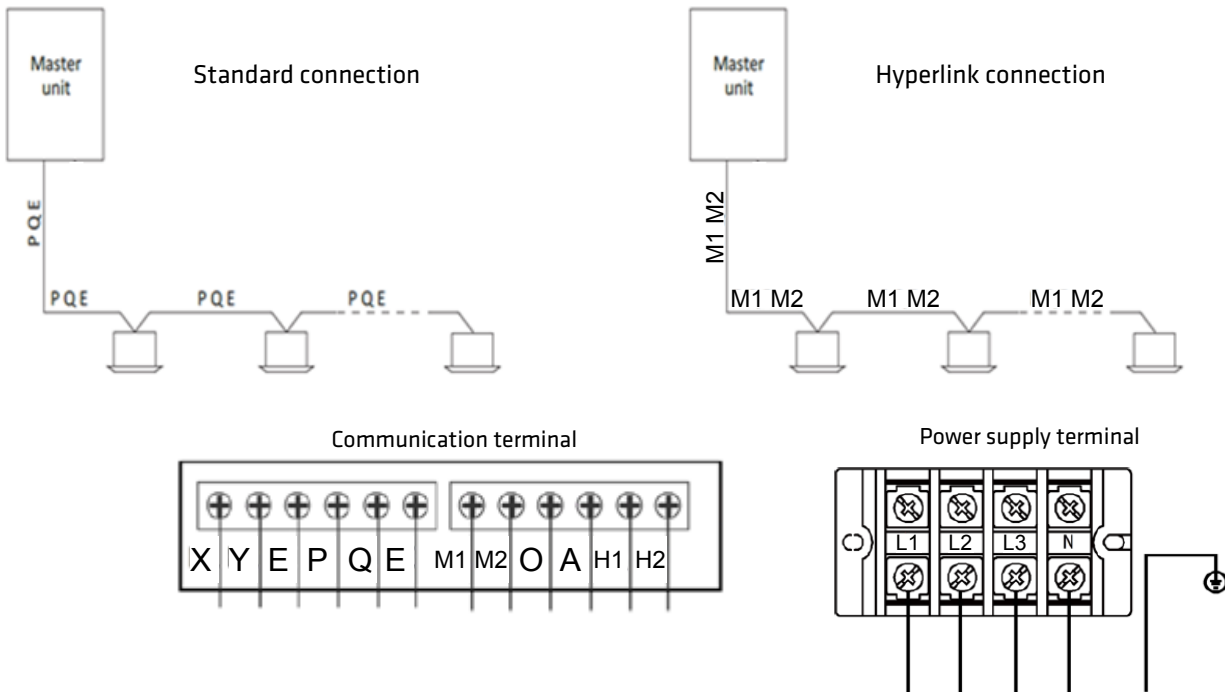
NOTES:

- (1) The data and specifications in this sheet are subject to change without notice.
- (2) The images in this sheet are for guidance only and may be different from the actual machine.
- (3) Cooling capacity conditions: Indoor temperature 27°C DB/19°C WB; Outdoor temperature 35°C DB; Equivalent refrigerant piping length 7.5 m with zero level difference; Data calculated with Duct type indoor unit. Heating capacity conditions: Indoor temperature 20°C DB; Outdoor temperature 7°C DB/6°C WB; Equivalent refrigerant piping length 7.5 m with zero level difference; Data calculated with Duct type indoor unit.
- (4) Sound pressure level is measured at a position 1 m in front of the unit and 1.3 m above the floor in a semi-anechoic chamber.

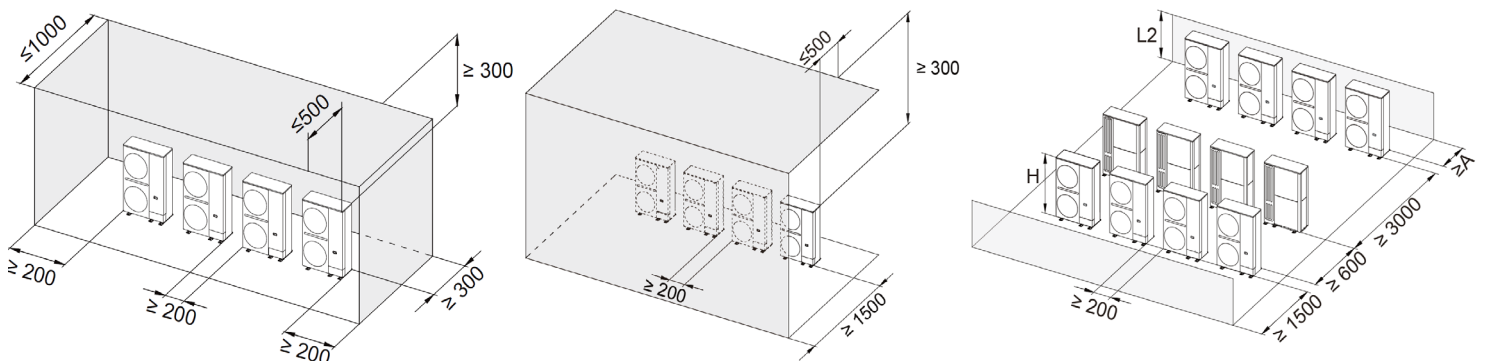
PIPELINE LENGTH

Max. pipe length		560 m
Max. distance between outdoor unit and further indoor unit	Real	150 m
	Equivalent	175 m
From first branch joint to the further indoor unit (query*)		40 m (90 m*)
Height difference	Outdoor unit top	50 m
	Outdoor unit down	40 m
Height difference between indoor units		30 m

WIRING DIAGRAM



INSTALLATION



Amazon Unitario FD

PRODUCT SHEET



Product certified by:



FEATURES

Model	KMF-560 DN6
Capacity	20 HP
Cooling capacity rated	56.0 kW
Cooling input rated	22,9 kW
EER	2,45
SEER	5,95
$\eta_{s,c}$	249%
Heating capacity rated	56,0 kW
Heating input rated	15,5 kW
COP	3,1
SCOP	4,07
$\eta_{s,h}$	159,8 %
No. indoor units	33
Air flow	18.500 m ³ /h
Pressure available	35-120 Pa
Sound pressure	61 dB(A)
Sound power level	89 dB(A)
Alimentation	380-415 V / 3 / 50 Hz
Charge de réfrigérant	R-410A
Refrigerant charge	8,5 kg
Working range; Outdoor ambient temperature for cooling min / max	-15 / 55 °C
Working range; Outdoor ambient temperature for heating min / max	-30 / 30 °C

DIMENSIONS & WEIGHT

Width	1250 mm
Height	1760 mm
Depth	580 mm
Weight	234 kg

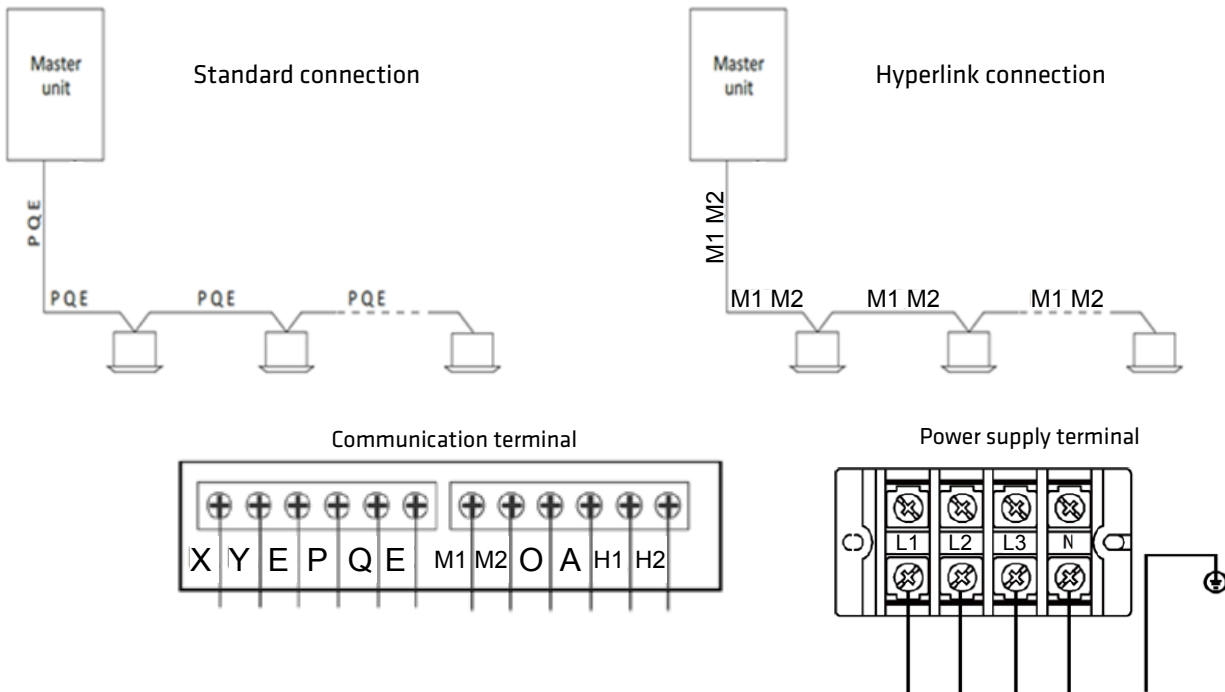
NOTES:

- (1) The data and specifications in this sheet are subject to change without notice.
- (2) The images in this sheet are for guidance only and may be different from the actual machine.
- (3) Cooling capacity conditions: Indoor temperature 27°C DB/19°C WB; Outdoor temperature 35°C DB; Equivalent refrigerant piping length 7.5 m with zero level difference; Data calculated with Duct type indoor unit. Heating capacity conditions: Indoor temperature 20°C DB; Outdoor temperature 7°C DB/6°C WB; Equivalent refrigerant piping length 7.5 m with zero level difference; Data calculated with Duct type indoor unit.
- (4) Sound pressure level is measured at a position 1 m in front of the unit and 1.3 m above the floor in a semi-anechoic chamber.

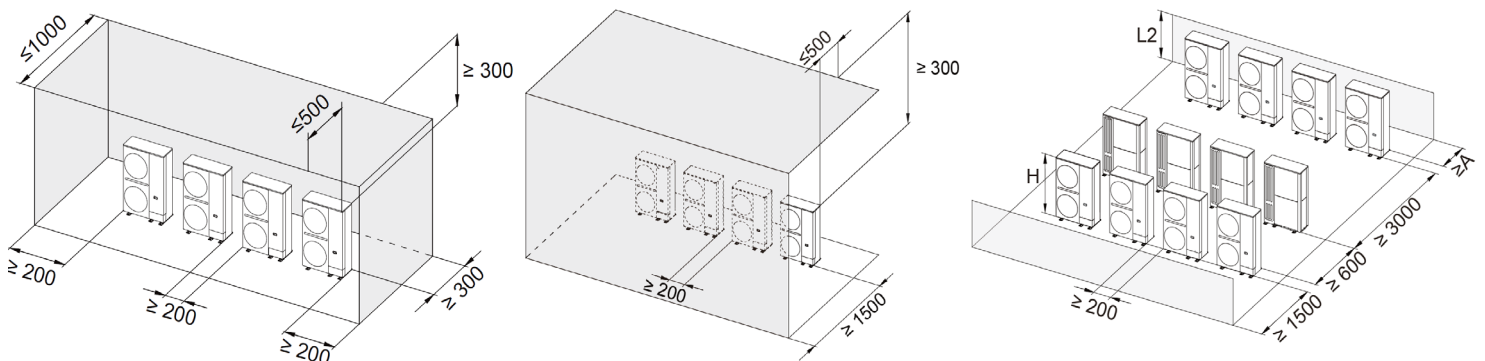
PIPELINE LENGTH

Max. pipe length		560 m
Max. distance between outdoor unit and further indoor unit	Real	150 m
	Equivalent	175 m
From first branch joint to the further indoor unit (query*)		40 m (90 m*)
Height difference	Outdoor unit top	50 m
	Outdoor unit down	40 m
Height difference between indoor units		30 m

WIRING DIAGRAM



INSTALLATION



Amazon Unitario FD

PRODUCT SHEET



Product certified by:



FEATURES

Model	KMF-615 DN6
Capacity	22 HP
Cooling capacity rated	61,5 kW
Cooling input rated	30,8 kW
EER	2,00
SEER	5,80
$\eta_{s,c}$	243 %
Heating capacity rated	61,5 kW
Heating input rated	18,8 kW
COP	3,07
SCOP	4,00
$\eta_{s,h}$	157 %
No. indoor units	36
Air flow	19.000 m ³ /h
Pressure available	35-80 Pa
Sound pressure	62 dB(A)
Sound power level	89 dB(A)
Alimentation	380-415 V / 3 / 50 Hz
Charge de réfrigérant	R-410A
Refrigerant charge	8,5 kg
Working range; Outdoor ambient temperature for cooling min / max	-15 / 55 °C
Working range; Outdoor ambient temperature for heating min / max	-30 / 30 °C

DIMENSIONS & WEIGHT

Width	1250 mm
Height	1760 mm
Depth	580 mm
Weight	234 kg

NOTES:

(1) The data and specifications in this sheet are subject to change without notice.

(2) The images in this sheet are for guidance only and may be different from the actual machine.

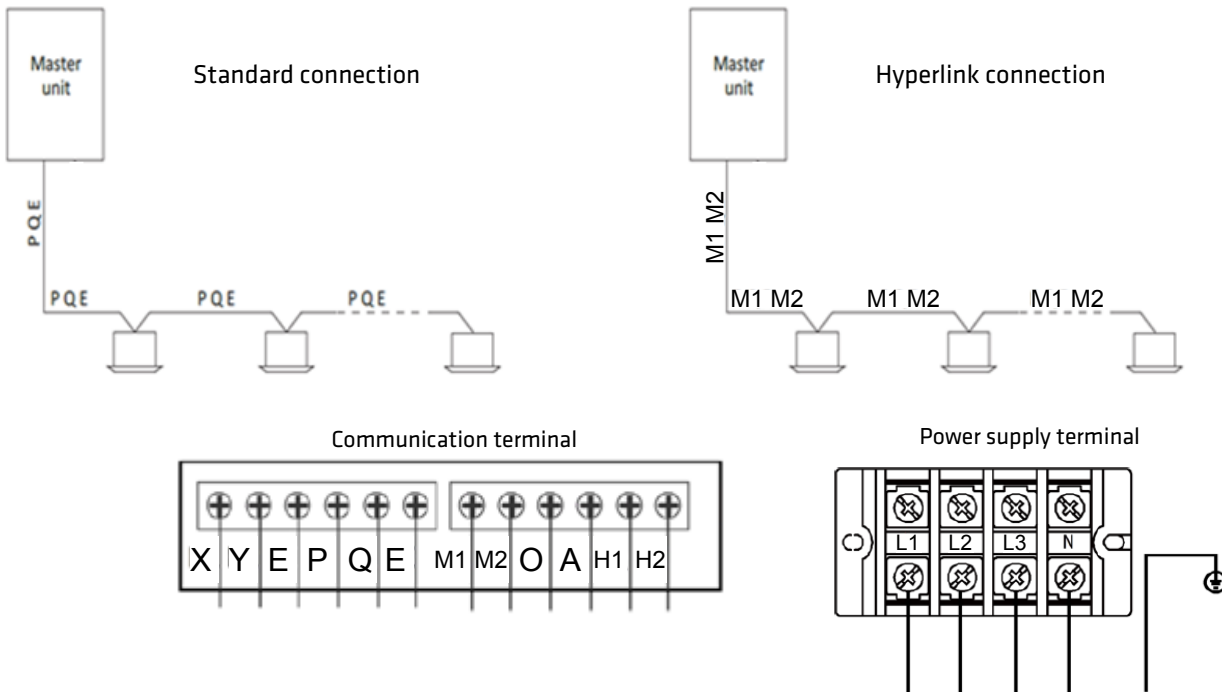
(3) Cooling capacity conditions: Indoor temperature 27°C DB/19°C WB; Outdoor temperature 35°C DB; Equivalent refrigerant piping length 7.5 m with zero level difference; Data calculated with Duct type indoor unit. Heating capacity conditions: Indoor temperature 20°C DB; Outdoor temperature 7°C DB/6°C WB; Equivalent refrigerant piping length 7.5 m with zero level difference; Data calculated with Duct type indoor unit.

(4) Sound pressure level is measured at a position 1 m in front of the unit and 1.3 m above the floor in a semi-anechoic chamber.

PIPELINE LENGTH

Max. pipe length		560 m
Max. distance between outdoor unit and further indoor unit	Real	150 m
	Equivalent	175 m
From first branch joint to the further indoor unit (query*)		40 m (90 m*)
Height difference	Outdoor unit top	50 m
	Outdoor unit down	40 m
Height difference between indoor units		30 m

WIRING DIAGRAM



INSTALLATION

