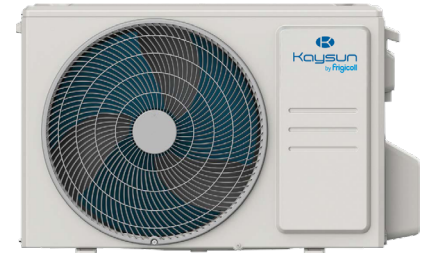


# Floor / Ceiling

# PRODUCT SHEET



KID-05 S  
Standard controller



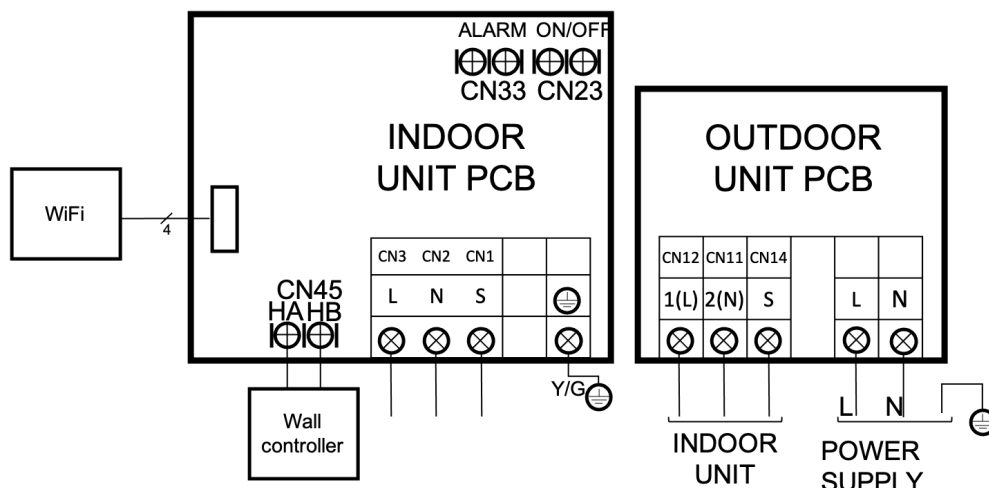
Product certified by:



## FEATURES

Model	KPCA-52 DVR14
Cooling capacity	5,28 kW
Cooling power input	1.450 W
Heating capacity	5,57 kW
Heating power input	1.500 W
ErP Classification cold/heat	A++ / A+
Airflow (indoor)	723/839/958 m <sup>3</sup> /h
Sound pressure (indoor)	37/41/44 dB(A)
Airflow (outdoor)	2.100 m <sup>3</sup> /h
Sound pressure (outdoor)	56 dB(A)
Power supply	220-240 V / 1 / 50 Hz
Max. input	13,50 A
Power wiring (indoor)	With communication
Power wiring (outdoor)	(2+T)x1,50 mm <sup>2</sup>
Communication wiring	(3+T)x1 mm <sup>2</sup>

## WIRING DIAGRAM

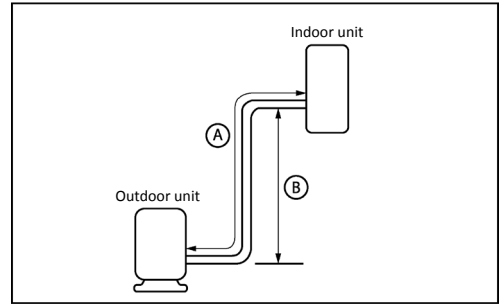


NOTES:

- (1) The data and specifications present in this sheet may vary without notice.
- (2) The images on this sheet are indicative and may be different from the final machine.

## COOLING CONNECTION

Model	KPCA-52 DVR14	
Refrigerating pipes	Ø1/4" / Ø1/2"	
Refrigerant charge / Additional charge	1,15 kg / 0,012 kg	
Indoor drain pipe	Ø25	
Max. pipe length (A)	30 m	
Max. level difference (B)	20 m	

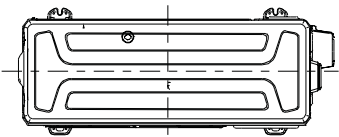
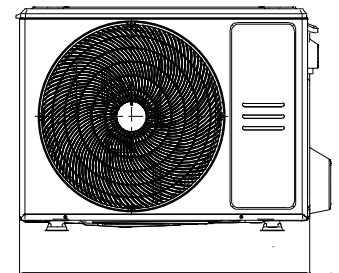
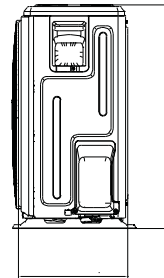
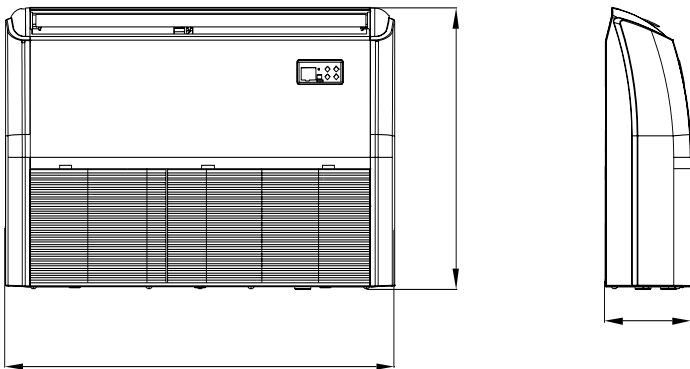


## DIMENSIONS & WEIGHT INDOOR

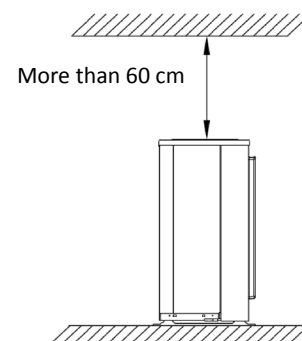
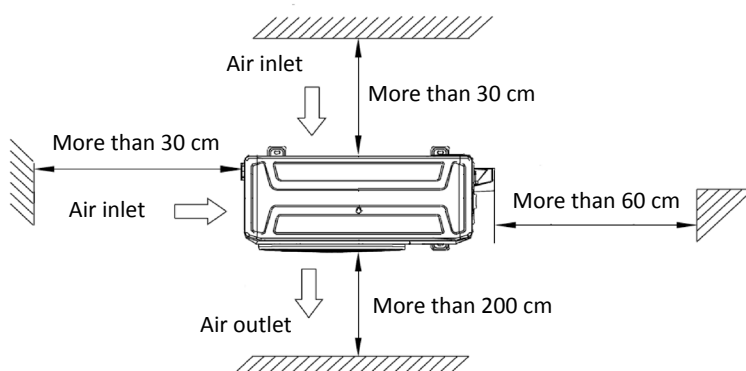
Model	KPC-52 DR14
Width	1.068 mm
Height	235 mm
Depth	675 mm
Weight	28 kg

## DIMENSIONS & WEIGHT OUTDOOR

Model	KUE-52 DVR13
Width	805 mm
Height	554 mm
Depth	330 mm
Weight	32,50 kg



## INSTALLATION

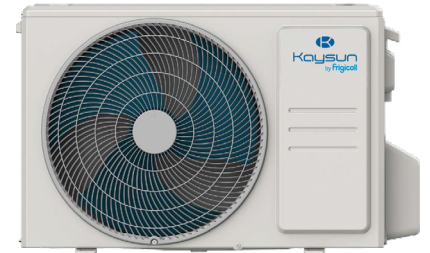


# Floor / Ceiling

# PRODUCT SHEET



KID-05 S  
Standard controller



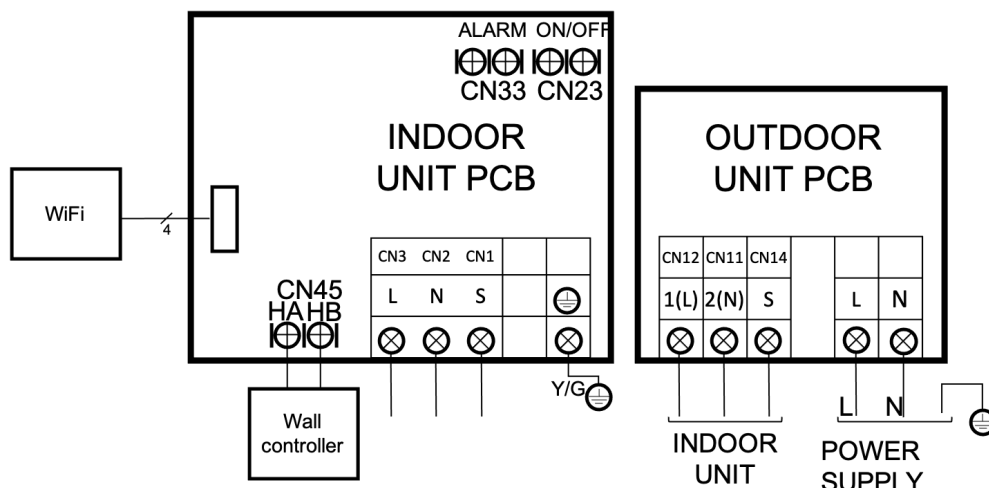
Product certified by:



## FEATURES

Model	KPCA-71 DVR14
Cooling capacity	7,03 kW
Cooling power input	2.300 W
Heating capacity	7,62 kW
Heating power input	2.050 W
ErP Classification cold/heat	A++ / A+
Airflow (indoor)	853/1.023/1.192 m <sup>3</sup> /h
Sound pressure (indoor)	43/47/51 dB(A)
Airflow (outdoor)	3.500 m <sup>3</sup> /h
Sound pressure (outdoor)	60 dB(A)
Power supply	220-240 V / 1 / 50 Hz
Max. input	19 A
Power wiring (indoor)	With communication
Power wiring (outdoor)	(2+T)x4 mm <sup>2</sup>
Communication wiring	(3+T)x1 mm <sup>2</sup>

## WIRING DIAGRAM



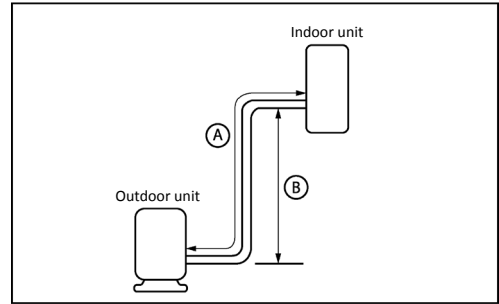
NOTES:

(1) The data and specifications present in this sheet may vary without notice.

(2) The images on this sheet are indicative and may be different from the final machine.

## COOLING CONNECTION

Model	KPCA-71 DVR14	
Refrigerating pipes	Ø3/8" / Ø5/8"	
Refrigerant charge / Additional charge	1,50 kg / 0,024 kg	
Indoor drain pipe	Ø25	
Max. pipe length (A)	50 m	
Max. level difference (B)	25 m	

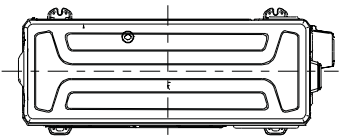
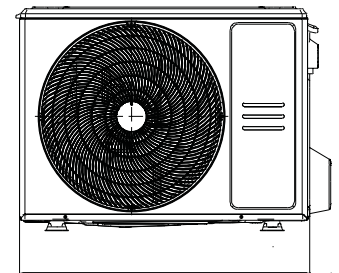
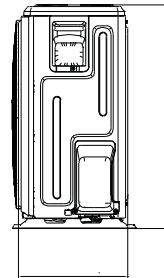
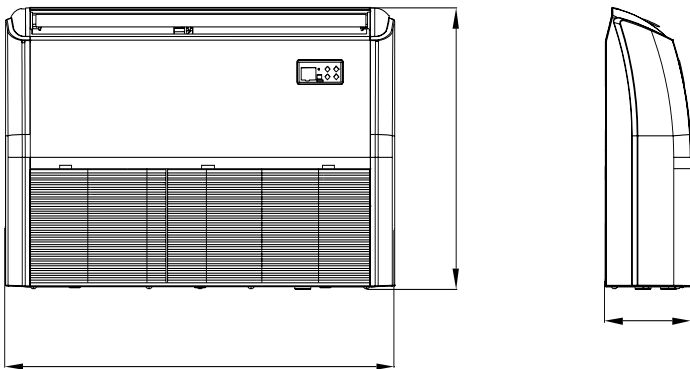


## DIMENSIONS & WEIGHT INDOOR

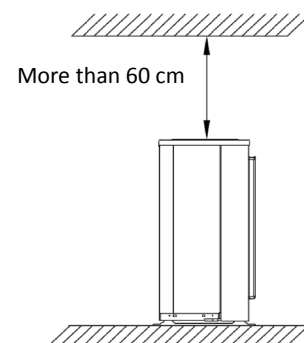
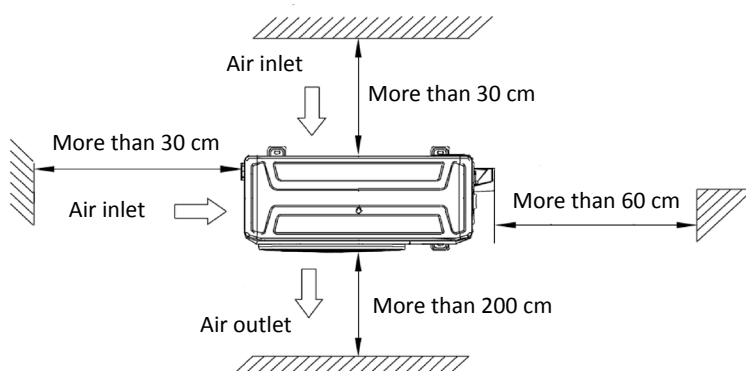
Model	KPC-71 DR14
Width	1.068 mm
Height	235 mm
Depth	675 mm
Weight	28 kg

## DIMENSIONS & WEIGHT OUTDOOR

Model	KUE-71 DVR13
Width	890 mm
Height	673 mm
Depth	342 mm
Weight	43,90 kg



## INSTALLATION

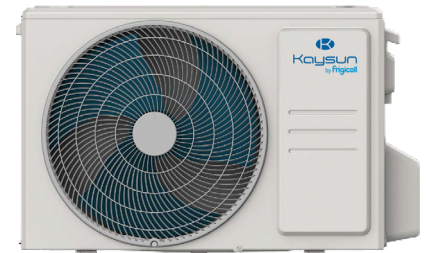


# Floor / Ceiling

# PRODUCT SHEET



KID-05 S  
Standard controller



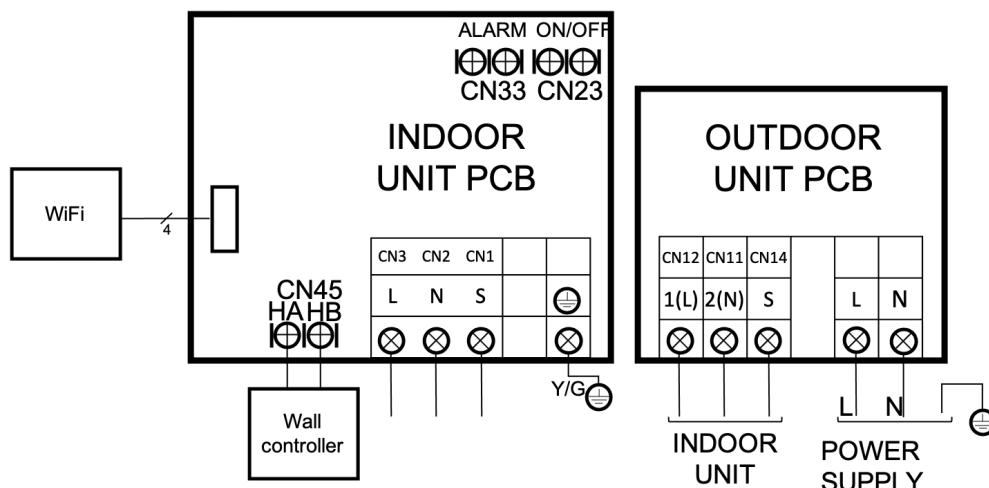
Product certified by:



## FEATURES

Model	KPCA-90 DVR14
Cooling capacity	8,79 kW
Cooling power input	2.500 W
Heating capacity	9,38 kW
Heating power input	2.250 W
ErP Classification cold/heat	A++ / A+
Airflow (indoor)	1.504/1.728/1.955 m <sup>3</sup> /h
Sound pressure (indoor)	45/47,5/51 dB(A)
Airflow (outdoor)	3.800 m <sup>3</sup> /h
Sound pressure (outdoor)	62 dB(A)
Power supply	220-240 V / 1 / 50 Hz
Max. input	20 A
Power wiring (indoor)	With communication
Power wiring (outdoor)	(2+T)x2,5 mm <sup>2</sup>
Communication wiring	(3+T)x1 mm <sup>2</sup>

## WIRING DIAGRAM



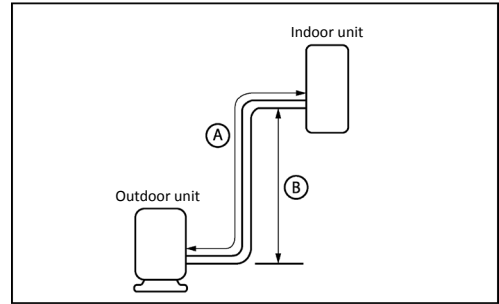
NOTES:

(1) The data and specifications present in this sheet may vary without notice.

(2) The images on this sheet are indicative and may be different from the final machine.

## COOLING CONNECTION

Model	KPCA-90 DVR14	
Refrigerating pipes	Ø3/8" / Ø5/8"	
Refrigerant charge / Additional charge	2,40 kg / 0,024 kg	
Indoor drain pipe	Ø25	
Max. pipe length (A)	50 m	
Max. level difference (B)	25 m	

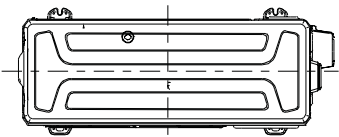
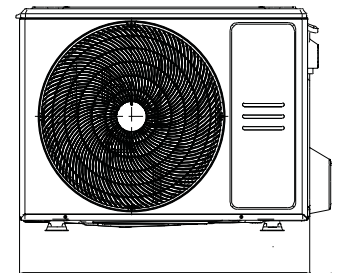
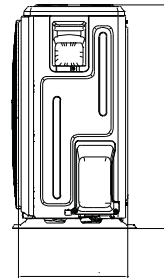
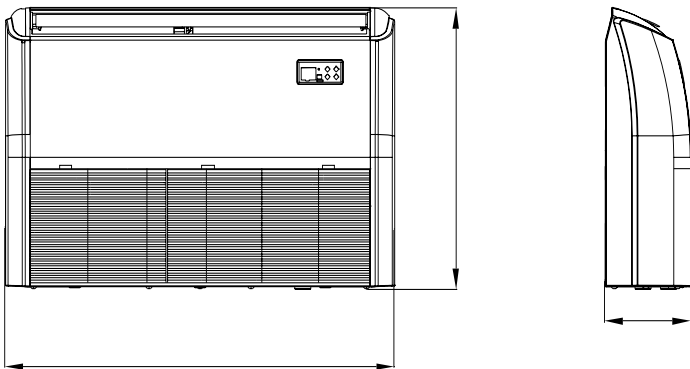


## DIMENSIONS & WEIGHT INDOOR

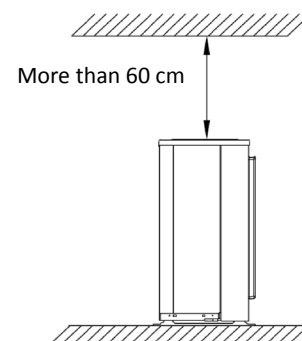
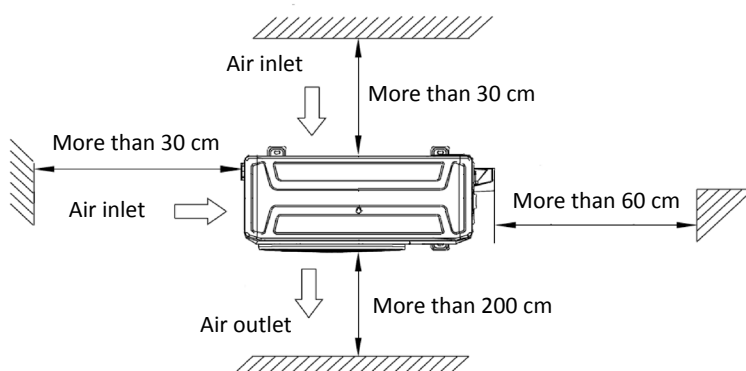
Model	KPC-105 DR14
Width	1.650 mm
Height	235 mm
Depth	675 mm
Weight	41,50 kg

## DIMENSIONS & WEIGHT OUTDOOR

Model	KUE-90 DVR13
Width	946 mm
Height	810 mm
Depth	410 mm
Weight	52,80 kg



## INSTALLATION

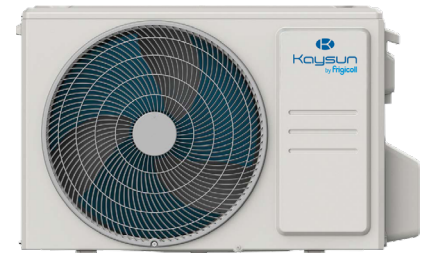


# Floor / Ceiling

# PRODUCT SHEET



KID-05 S  
Standard controller



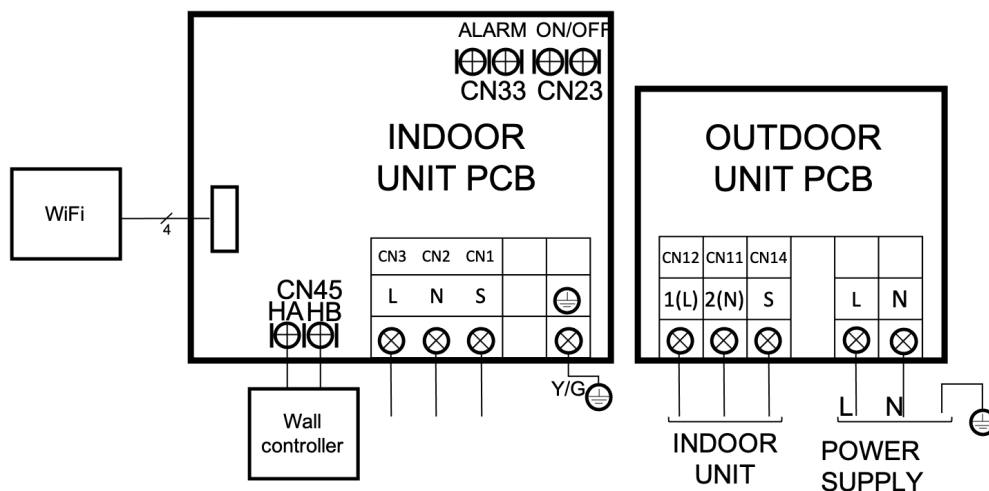
Product certified by:



## FEATURES

Model	KPCA-105 DVR14
Cooling capacity	10,55 kW
Cooling power input	4.000 W
Heating capacity	11,72 kW
Heating power input	3.350 W
ErP Classification cold/heat	A++ / A+
Airflow (indoor)	1.504/1.728/1.955 m <sup>3</sup> /h
Sound pressure (indoor)	45/47,50/51 dB(A)
Airflow (outdoor)	3.800 m <sup>3</sup> /h
Sound pressure (outdoor)	62 dB(A)
Power supply	220-240 V / 1 / 50 Hz
Max. input	22,50 A
Power wiring (indoor)	With communication
Power wiring (outdoor)	(2+T)x4 mm <sup>2</sup>
Communication wiring	(3+T)x1 mm <sup>2</sup>

## WIRING DIAGRAM



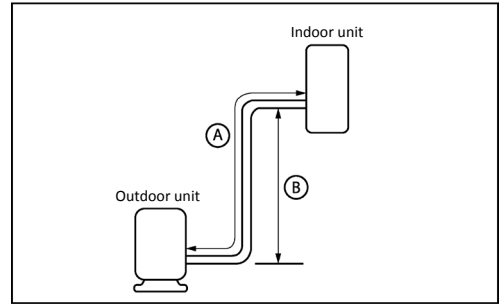
NOTES:

(1) The data and specifications present in this sheet may vary without notice.

(2) The images on this sheet are indicative and may be different from the final machine.

## COOLING CONNECTION

Model	KPCA-105 DVR14	
Refrigerating pipes	Ø3/8" / Ø5/8"	
Refrigerant charge / Additional charge	2 kg / 0,024 kg	
Indoor drain pipe	Ø25	
Max. pipe length (A)	50 m	
Max. level difference (B)	25 m	

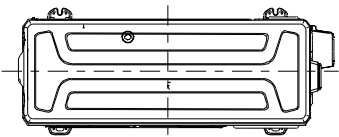
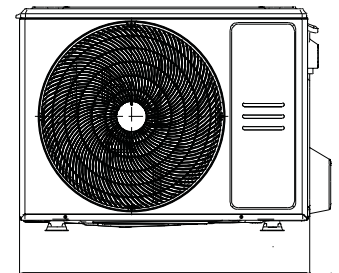
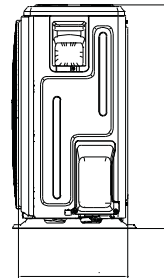
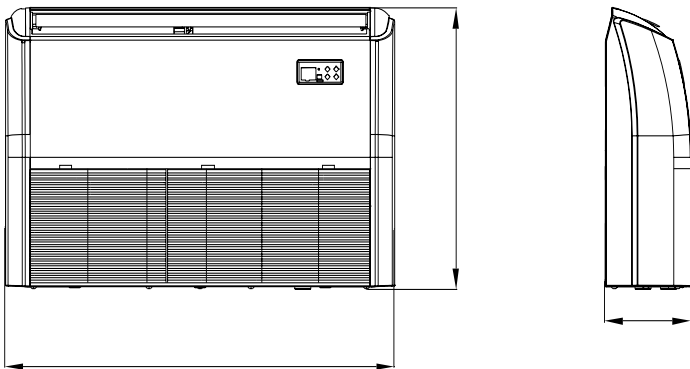


## DIMENSIONS & WEIGHT INDOOR

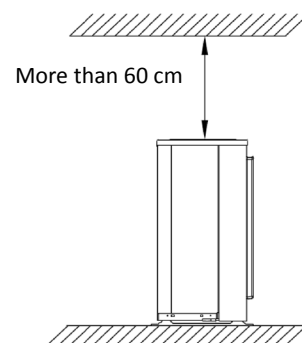
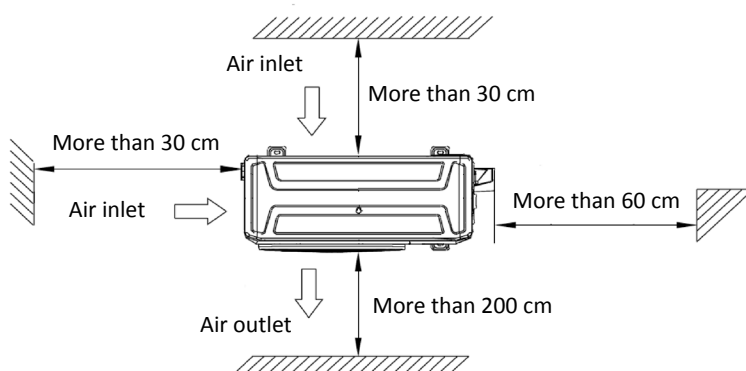
Model	KPC-105 DR14
Width	1.650 mm
Height	235 mm
Depth	675 mm
Weight	41,50 kg

## DIMENSIONS & WEIGHT OUTDOOR

Model	KUE-105 DVR13
Width	946 mm
Height	810 mm
Depth	410 mm
Weight	52,80 kg



## INSTALLATION



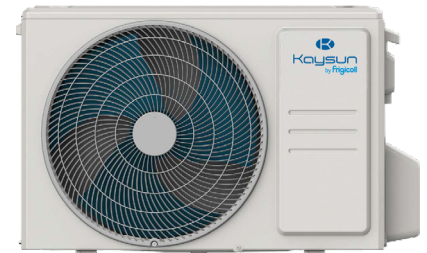


# Floor / Ceiling

# PRODUCT SHEET



KID-05 S  
Standard controller



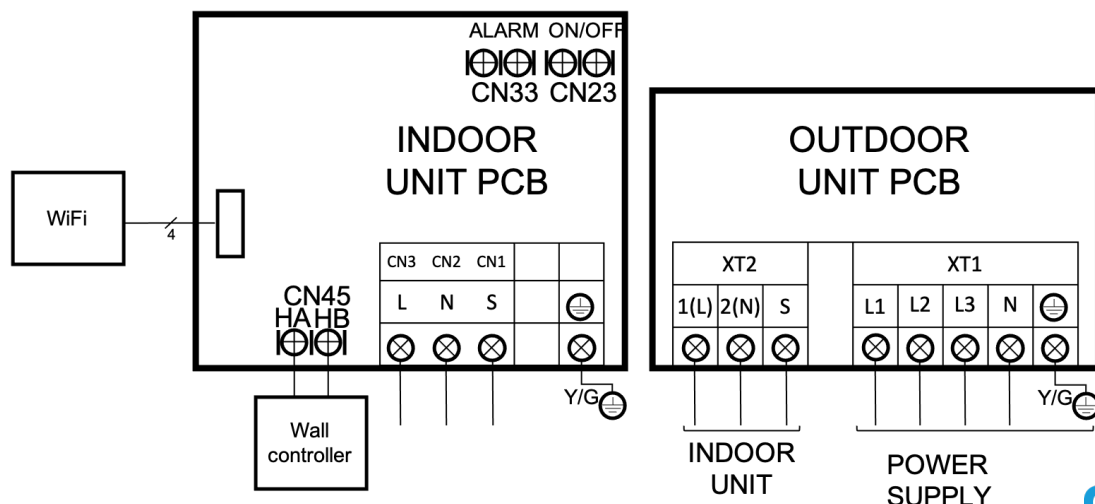
Product certified by:



## FEATURES

Model	KPCA-105 DTR14
Cooling capacity	10,55 kW
Cooling power input	3.900 W
Heating capacity	11,72 kW
Heating power input	3.350 W
ErP Classification cold/heat	A++ / A+
Airflow (indoor)	1.504/1.728/1.955 m <sup>3</sup> /h
Sound pressure (indoor)	45/48/51,50 dB(A)
Airflow (outdoor)	4.000 m <sup>3</sup> /h
Sound pressure (outdoor)	63 dB(A)
Power supply	380-415 V / 3 / 50 Hz
Max. input	10 A
Power wiring (indoor)	With communication
Power wiring (outdoor)	(4+T)x2,50 mm <sup>2</sup>
Communication wiring	(3+T)x1 mm <sup>2</sup>

## WIRING DIAGRAM



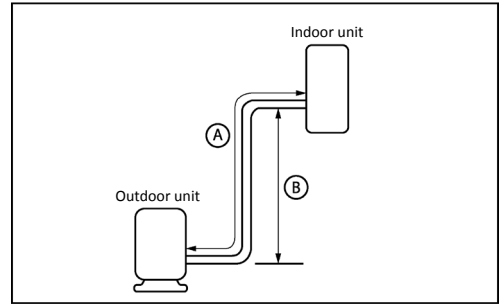
NOTES:

(1) The data and specifications present in this sheet may vary without notice.

(2) The images on this sheet are indicative and may be different from the final machine.

## COOLING CONNECTION

Model	KPCA-105 DTR14	
Refrigerating pipes	Ø3/8" / Ø5/8"	
Refrigerant charge / Additional charge	2,40 kg / 0,024 kg	
Indoor drain pipe	Ø25	
Max. pipe length (A)	75 m	
Max. level difference (B)	30 m	

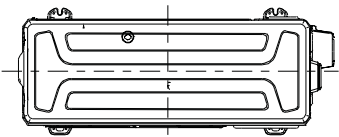
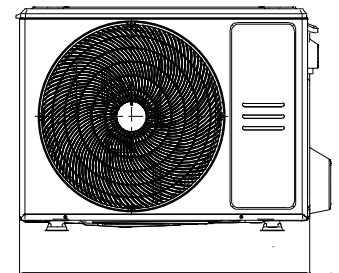
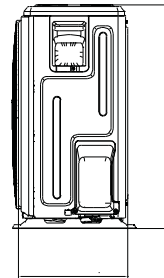
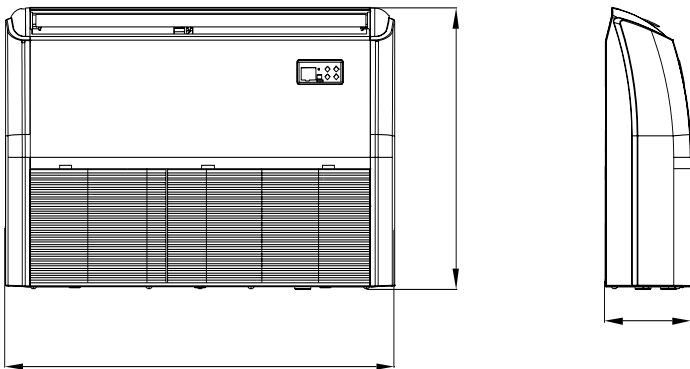


## DIMENSIONS & WEIGHT INDOOR

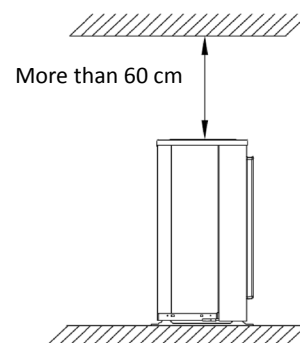
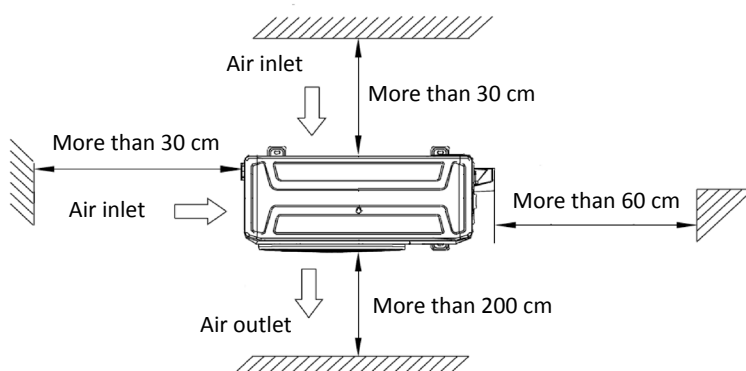
Model	KPC-105 DR14
Width	1.650 mm
Height	235 mm
Depth	675 mm
Weight	41,50 kg

## DIMENSIONS & WEIGHT OUTDOOR

Model	KUE-105 DTR13
Width	946 mm
Height	810 mm
Depth	410 mm
Weight	66,90 kg



## INSTALLATION

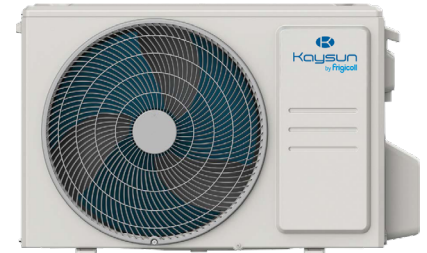


# Floor / Ceiling

# PRODUCT SHEET



KID-05 S  
Standard controller



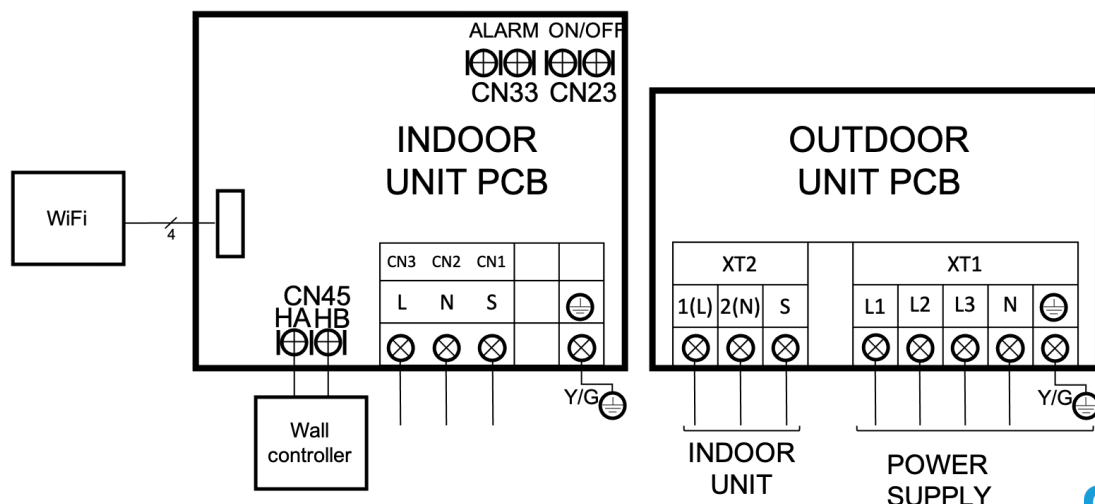
Product certified by:



## FEATURES

Model	KPCA-125 DVR14
Cooling capacity	12,02 kW
Cooling power input	4.200 W
Heating capacity	13,48 kW
Heating power input	3.700 W
ErP Classification cold/heat	A++ / A+
Airflow (indoor)	1.600/1.850/2.200 m <sup>3</sup> /h
Sound pressure (indoor)	46/50/53 dB(A)
Airflow (outdoor)	4.000 m <sup>3</sup> /h
Sound pressure (outdoor)	63 dB(A)
Power supply	220-240 V / 1 / 50 Hz
Max. input	22,50 A
Power wiring (indoor)	With communication
Power wiring (outdoor)	(2+T)x2,50 mm <sup>2</sup>
Communication wiring	(3+T)x1 mm <sup>2</sup>

## WIRING DIAGRAM



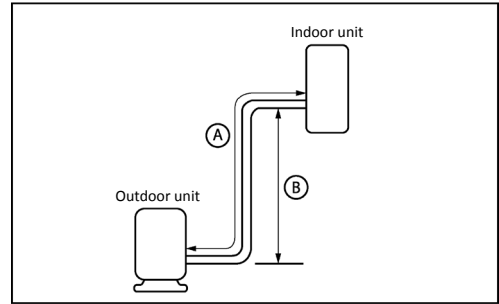
NOTES:

(1) The data and specifications present in this sheet may vary without notice.

(2) The images on this sheet are indicative and may be different from the final machine.

## COOLING CONNECTION

Model	KPCA-125 DVR14	
Refrigerating pipes	Ø3/8" / Ø5/8"	
Refrigerant charge / Additional charge	2,80 kg / 0,024 kg	
Indoor drain pipe	Ø25	
Max. pipe length (A)	75 m	
Max. level difference (B)	30 m	

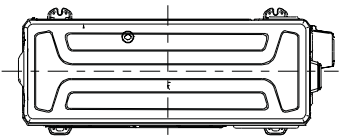
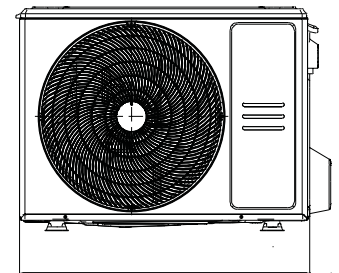
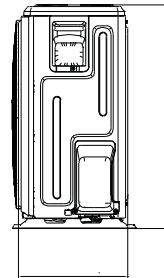
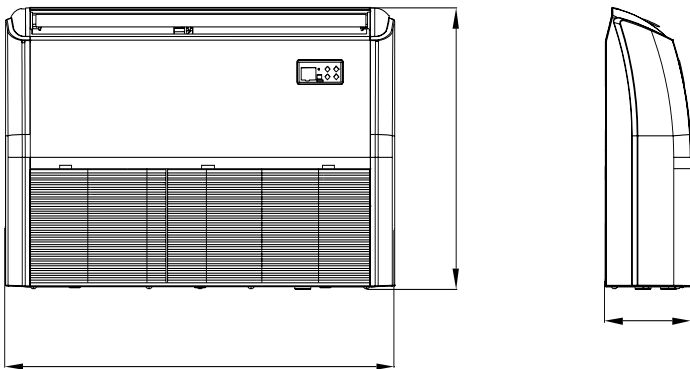


## DIMENSIONS & WEIGHT INDOOR

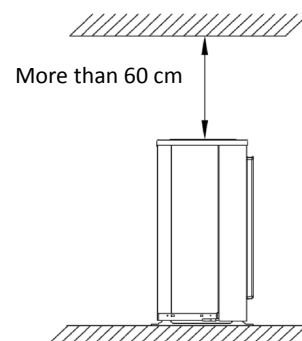
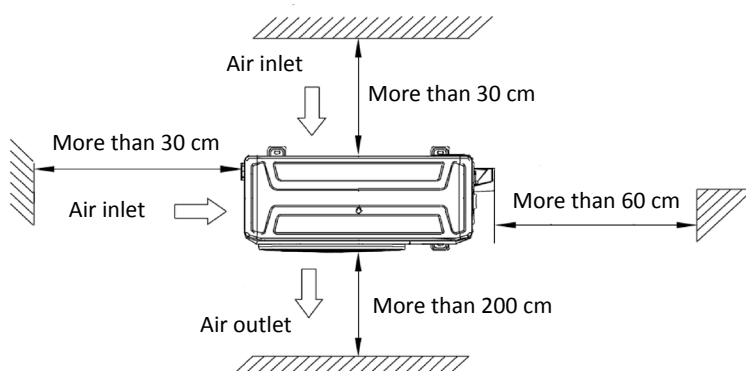
Model	KPC-140 DR14
Width	1.650 mm
Height	235 mm
Depth	675 mm
Weight	41,50 kg

## DIMENSIONS & WEIGHT OUTDOOR

Model	KUE-125 DVR13
Width	946 mm
Height	810 mm
Depth	410 mm
Weight	71 kg



## INSTALLATION



# Floor / Ceiling

# PRODUCT SHEET



KID-05 S  
Standard controller



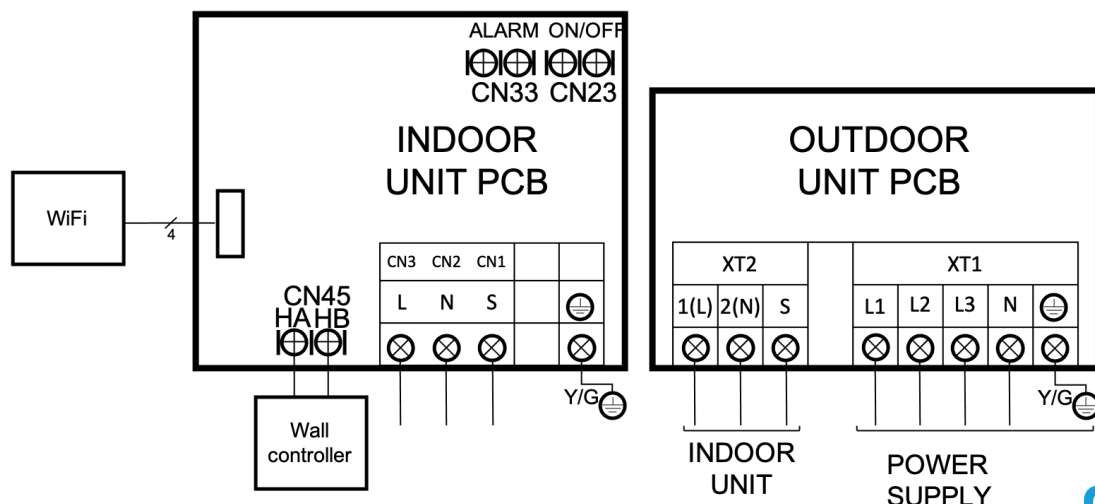
Product certified by:



## FEATURES

Model	KPCA-140 DTR14
Cooling capacity	14,07 kW
Cooling power input	5.000 W
Heating capacity	16,12 kW
Heating power input	5.100 W
ErP Classification cold/heat	A++ / A+
Airflow (indoor)	1.600/1.850/2.100 m <sup>3</sup> /h
Sound pressure (indoor)	46/50/53 dB(A)
Airflow (outdoor)	4.000 m <sup>3</sup> /h
Sound pressure (outdoor)	63 dB(A)
Power supply	380-415 V / 3 / 50 Hz
Max. input	13 A
Power wiring (indoor)	With communication
Power wiring (outdoor)	(4+T)x2,50 mm <sup>2</sup>
Communication wiring	(3+T)x1 mm <sup>2</sup>

## WIRING DIAGRAM



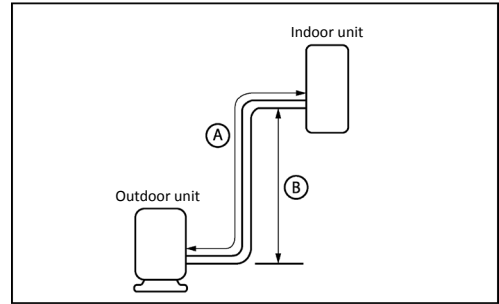
NOTES:

(1) The data and specifications present in this sheet may vary without notice.

(2) The images on this sheet are indicative and may be different from the final machine.

## COOLING CONNECTION

Model	KPCA-140 DTR14	
Refrigerating pipes	Ø3/8" / Ø5/8"	
Refrigerant charge / Additional charge	2,40 kg / 0,024 kg	
Indoor drain pipe	Ø25	
Max. pipe length (A)	75 m	
Max. level difference (B)	30 m	

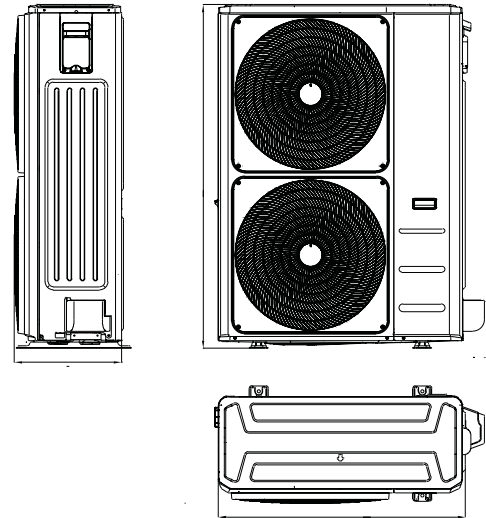
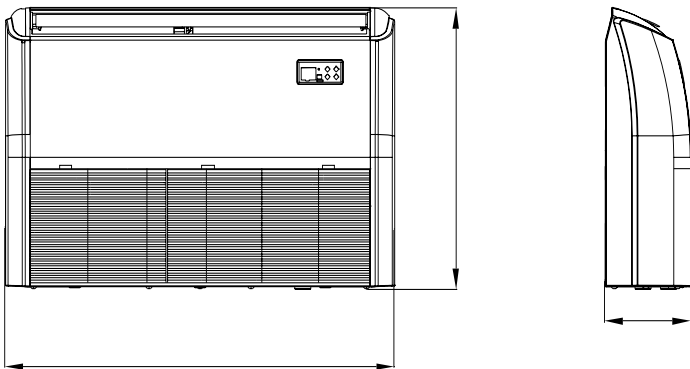


## DIMENSIONS & WEIGHT INDOOR

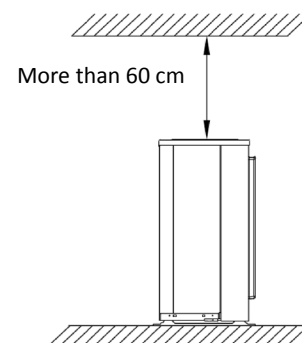
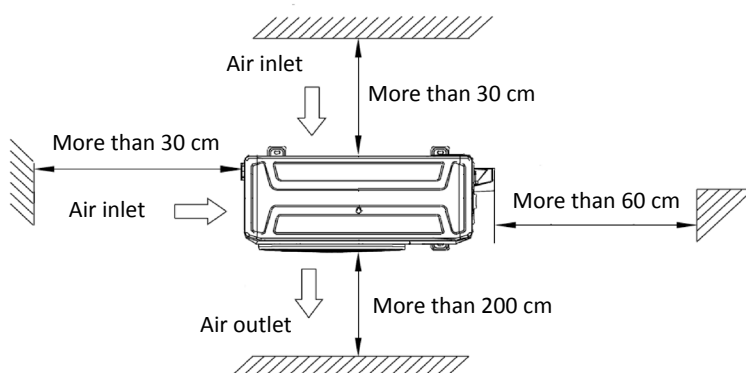
Model	KPC-140 DR14
Width	1.650 mm
Height	235 mm
Depth	675 mm
Weight	41,70 kg

## DIMENSIONS & WEIGHT OUTDOOR

Model	KUE-140 DTR13
Width	952 mm
Height	1333 mm
Depth	415 mm
Weight	103,7 kg



## INSTALLATION



# Floor / Ceiling

# PRODUCT SHEET



KID-05 S  
Standard controller



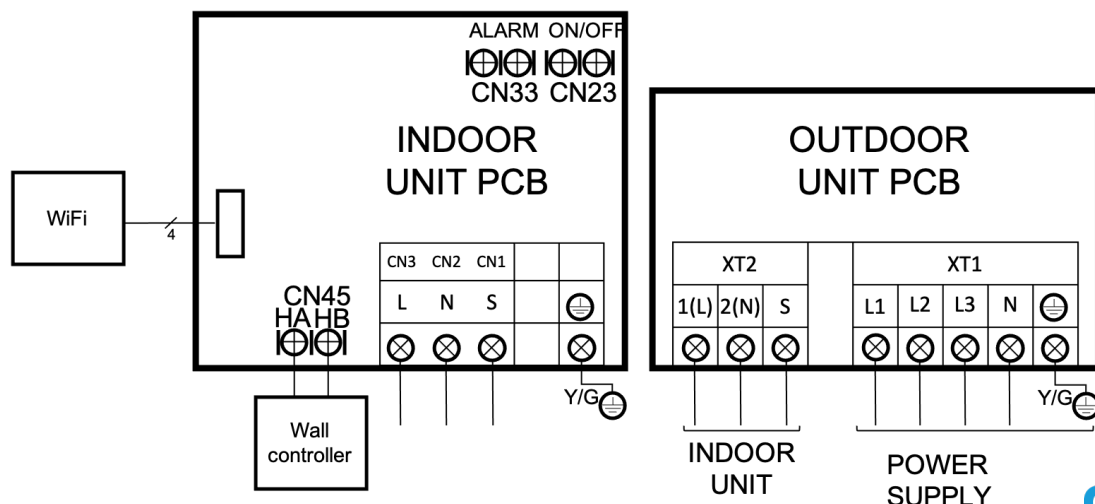
Product certified by:



## FEATURES

Model	KPCA-160 DTR14
Cooling capacity	15,83 kW
Cooling power input	5.650 W
Heating capacity	18,18 kW
Heating power input	6.050 W
ErP Classification cold/heat	A++ / A+
Airflow (indoor)	1.650/1.950/2.200 m <sup>3</sup> /h
Sound pressure (indoor)	48/52/55 dB(A)
Airflow (outdoor)	4.000 m <sup>3</sup> /h
Sound pressure (outdoor)	63 dB(A)
Power supply	380-415 V / 3 / 50 Hz
Max. input	14 A
Power wiring (indoor)	With communication
Power wiring (outdoor)	(4+T)x4 mm <sup>2</sup>
Communication wiring	(3+T)x1 mm <sup>2</sup>

## WIRING DIAGRAM

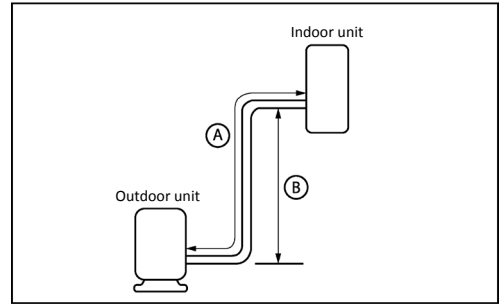


NOTES:

- (1) The data and specifications present in this sheet may vary without notice.
- (2) The images on this sheet are indicative and may be different from the final machine.

## COOLING CONNECTION

Model	KPCA-160 DTR14	
Refrigerating pipes	Ø3/8" / Ø5/8"	
Refrigerant charge / Additional charge	2,80 kg / 0,024 kg	
Indoor drain pipe	Ø25	
Max. pipe length (A)	75 m	
Max. level difference (B)	30 m	

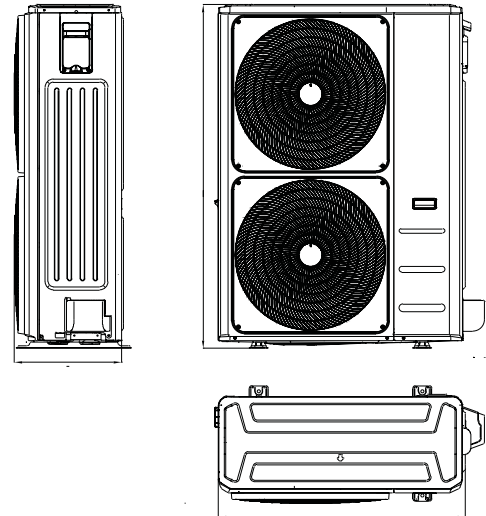
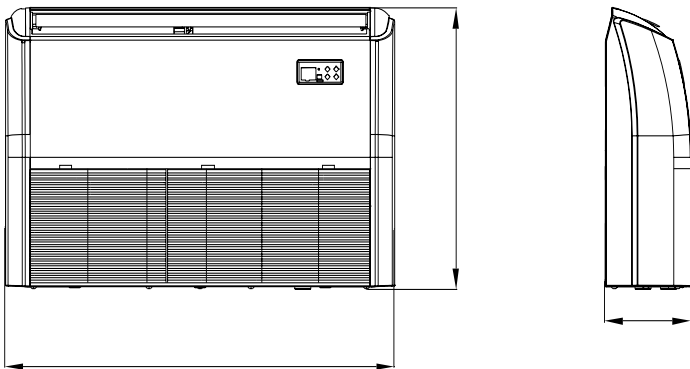


## DIMENSIONS & WEIGHT INDOOR

Model	KPC-160 DR14
Width	1.650 mm
Height	235 mm
Depth	675 mm
Weight	42,30 kg

## DIMENSIONS & WEIGHT OUTDOOR

Model	KUE-160 DTR13
Width	952 mm
Height	1333 mm
Depth	415 mm
Weight	107 kg



## INSTALLATION

