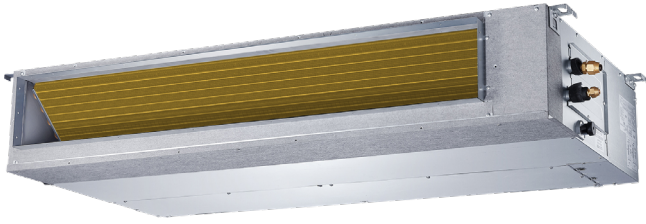
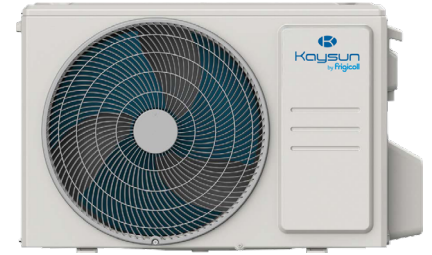


Vertical Ducts

PRODUCT SHEET



KCT-04 SPSWF
Standard controller



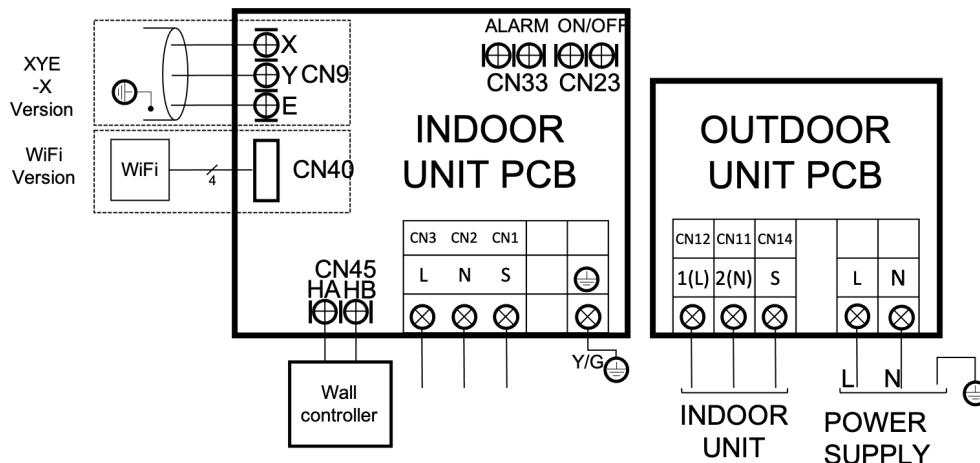
Product certified by:



FEATURES

Model	KPDA-35V DR14
Cooling capacity	3,52 kW
Cooling power input	1.053 W
Heating capacity	3,81 kW
Heating power input	1.038 W
ErP Classification cold/heat	A++ / A+
Airflow (indoor)	350/500/660 m ³ /h
Max. static pressure	60 Pa
Sound pressure (indoor)	29,80/33,50/36 dB(A)
Airflow (outdoor)	2.200 m ³ /h
Sound pressure (outdoor)	53,60 dB(A)
Power supply	220-240 V / 1 / 50 Hz
Max. input	9 A
Power wiring (indoor)	With communication
Power wiring (outdoor)	(2+T)x1,50 mm ²
Communication wiring	(3+T)x1 mm ²
Possibility of vertical installation	Yes

WIRING DIAGRAM

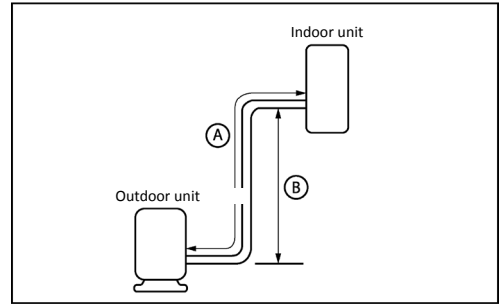


NOTES:

- (1) The data and specifications present in this sheet may vary without notice.
- (2) The images on this sheet are indicative and may be different from the final machine.

COOLING CONNECTION

Model	KPDA-35V DR14	
Refrigerating pipes	Ø1/4" / Ø3/8"	
Refrigerant charge / Additional charge	0,72 kg / 0,012 kg	
Indoor drain pipe	Ø25 mm	
Max. pipe length (A)	25 m	
Max. level difference (B)	10 m	

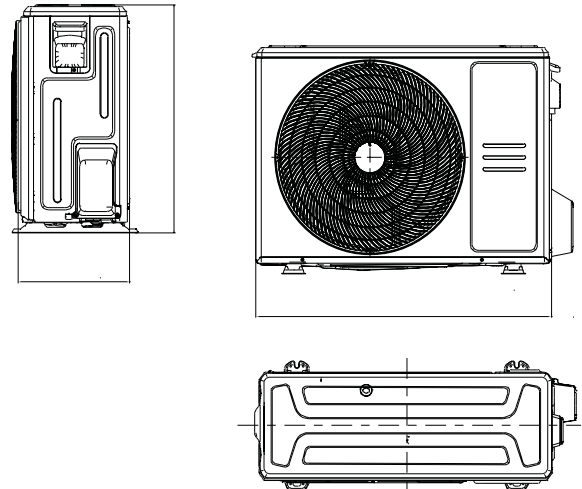
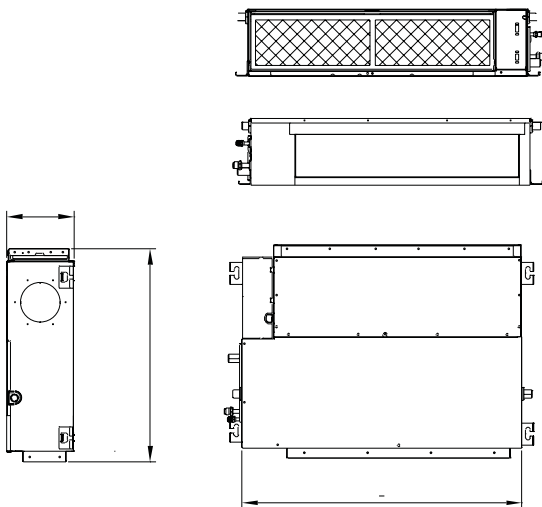


DIMENSIONS & WEIGHT INDOOR

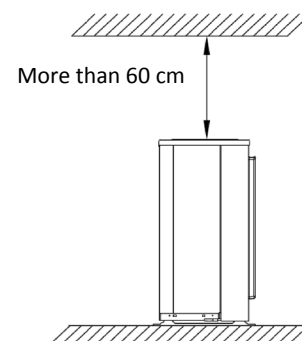
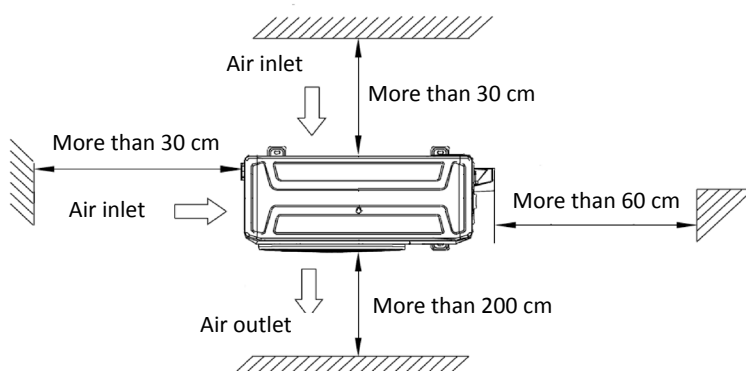
Model	KPDA-35V DR14
Width	700 mm
Height	200 mm
Depth	506 mm
Weight	17,80 kg

DIMENSIONS & WEIGHT OUTDOOR

Model	KPDA-35V DR14
Width	765 mm
Height	555 mm
Depth	303 mm
Weight	26,60 kg

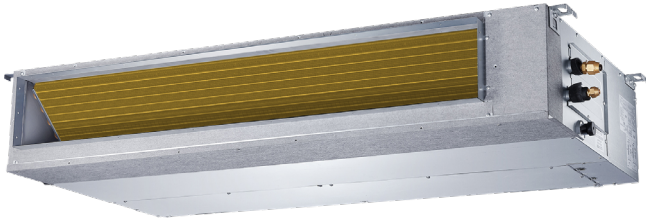


INSTALLATION

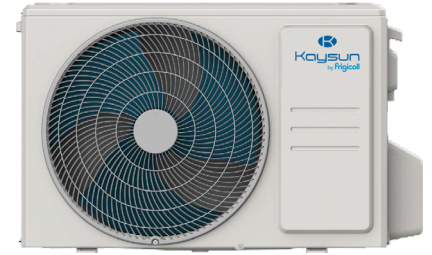


Vertical Ducts

PRODUCT SHEET



KCT-04 SPSWF
Standard controller



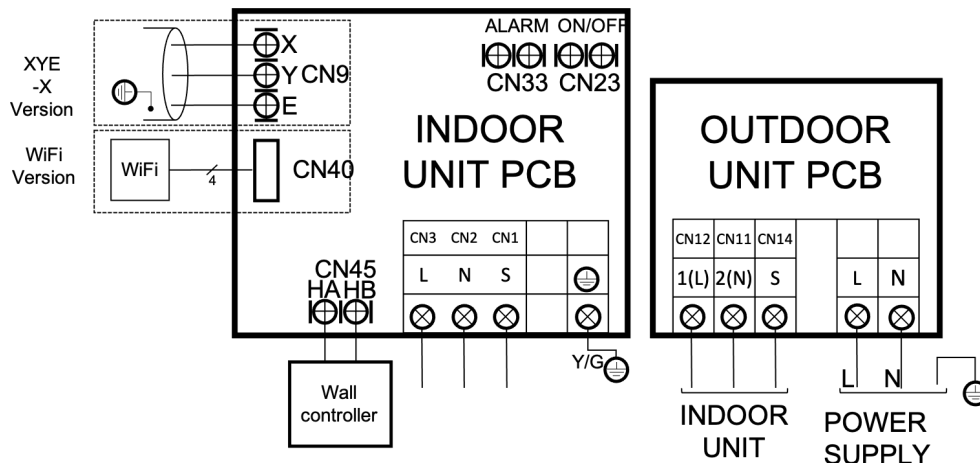
Product certified by:



FEATURES

Model	KPDA-71 V DVR14
Cooling capacity	7,03 kW
Cooling power input	2.190 W
Heating capacity	7,62 kW
Heating power input	1.900 W
ErP Classification cold/heat	A++ / A+
Airflow (indoor)	610/930/1.200 m ³ /h
Max. static pressure	160 Pa
Sound pressure (indoor)	25,50/29,10/32,80 dB(A)
Airflow (outdoor)	3.500 m ³ /h
Sound pressure (outdoor)	60 dB(A)
Power supply	220-240 V / 1 / 50 Hz
Max. input	19 A
Power wiring (indoor)	With communication
Power wiring (outdoor)	(2+T)x2,50 mm ²
Communication wiring	(3+T)x1 mm ²
Possibility of vertical installation	Yes

WIRING DIAGRAM

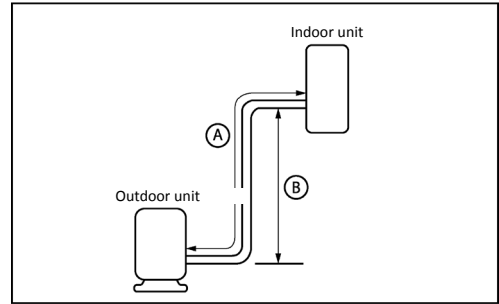


NOTES:

- (1) The data and specifications present in this sheet may vary without notice.
- (2) The images on this sheet are indicative and may be different from the final machine.

COOLING CONNECTION

Model	KPDA-71 V DVR14	
Refrigerating pipes	Ø3/8" / Ø5/8"	
Refrigerant charge / Additional charge	1,50 kg / 0,024 kg	
Indoor drain pipe	Ø25 mm	
Max. pipe length (A)	50 m	
Max. level difference (B)	25 m	

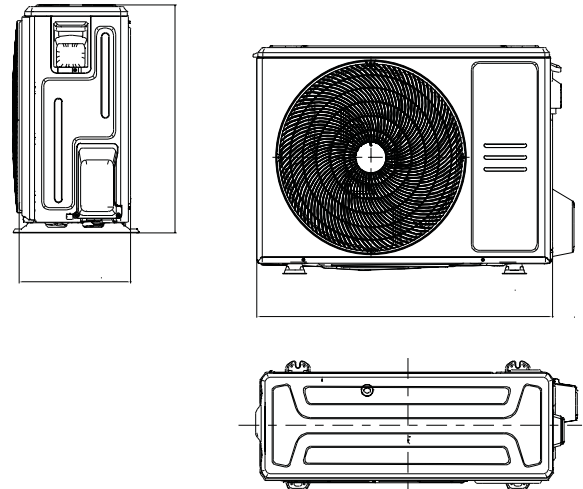
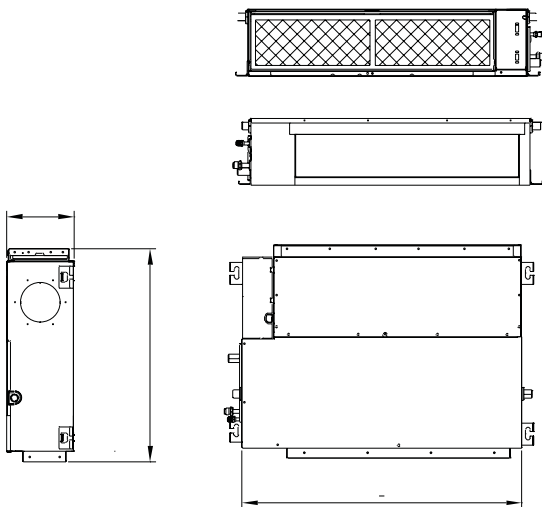


DIMENSIONS & WEIGHT INDOOR

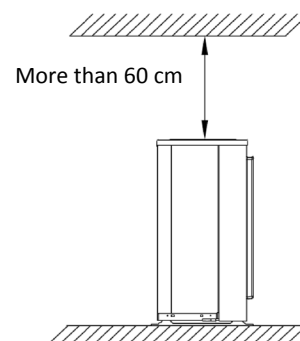
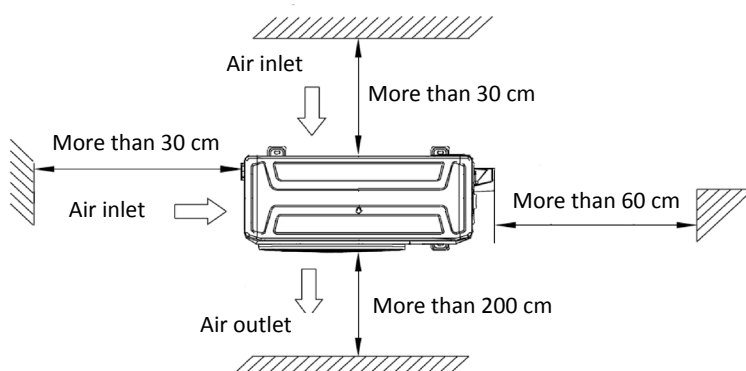
Model	KPD-71V DR14
Width	1.100 mm
Height	249 mm
Depth	774 mm
Weight	32,30 kg

DIMENSIONS & WEIGHT OUTDOOR

Model	KUE-71 DVR13
Width	890 mm
Height	673 mm
Depth	342 mm
Weight	43,90 kg

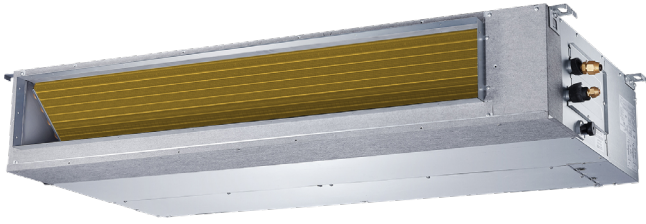


INSTALLATION

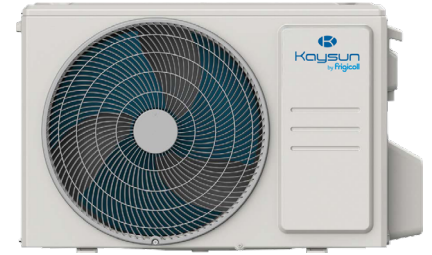


Vertical Ducts

PRODUCT SHEET



KCT-04 SPSWF
Standard controller



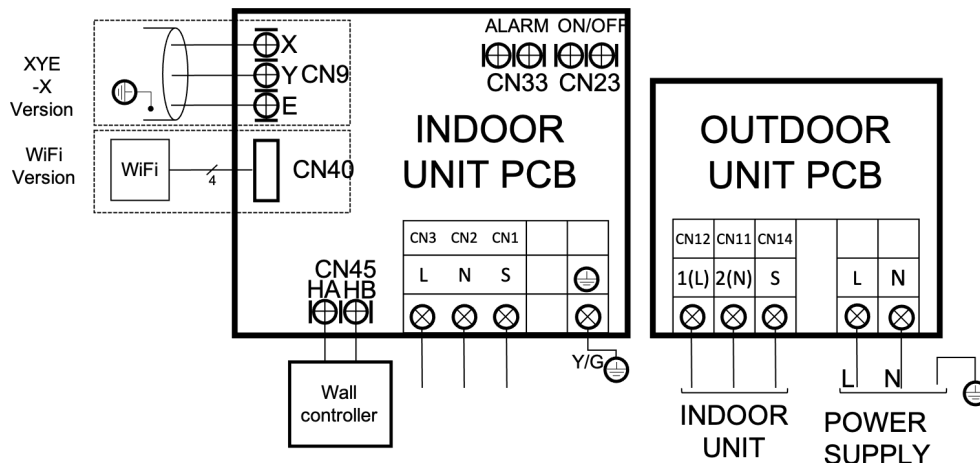
Product certified by:



FEATURES

Model	KPDA-105 V DVR14
Cooling capacity	10,55 kW
Cooling power input	3.950 W
Heating capacity	11,72 kW
Heating power input	3.250 W
ErP Classification cold/heat	A++ / A+
Airflow (indoor)	1.560/1.780/2.060 m ³ /h
Max. static pressure	160 Pa
Sound pressure (indoor)	35,40/37,70/40,30 dB(A)
Airflow (outdoor)	4.000 m ³ /h
Sound pressure (outdoor)	63 dB(A)
Power supply	220-240 V / 1 / 50 Hz
Max. input	21,50 A
Power wiring (indoor)	With communication
Power wiring (outdoor)	(2+T)x4 mm ²
Communication wiring	(3+T)x1 mm ²
Possibility of vertical installation	Yes

WIRING DIAGRAM

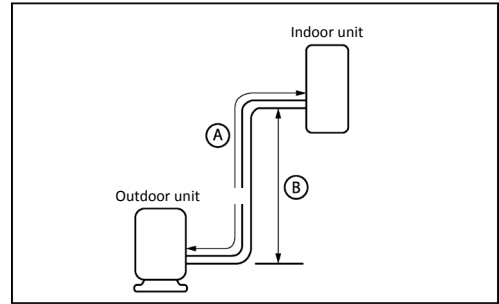


NOTES:

(1) The data and specifications present in this sheet may vary without notice.
 (2) The images on this sheet are indicative and may be different from the final machine.

COOLING CONNECTION

Model	KPSA-105 V DVR14	
Refrigerating pipes	Ø3/8" / Ø5/8"	
Refrigerant charge / Additional charge	2,40 kg / 0,024 kg	
Indoor drain pipe	Ø25 mm	
Max. pipe length (A)	75 m	
Max. level difference (B)	30 m	

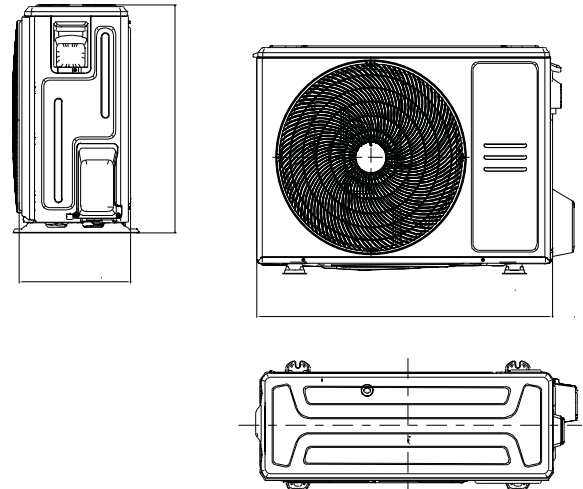
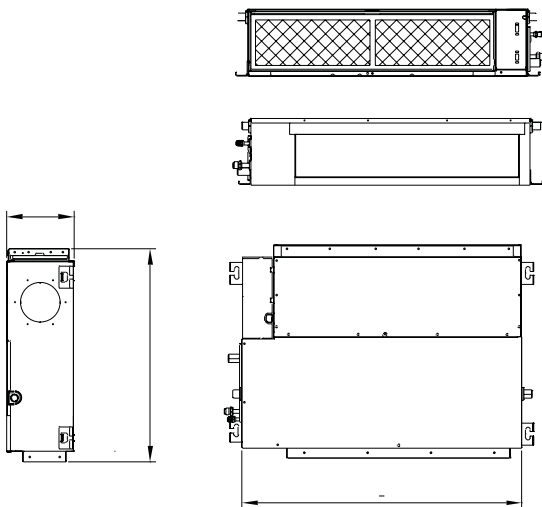


DIMENSIONS & WEIGHT INDOOR

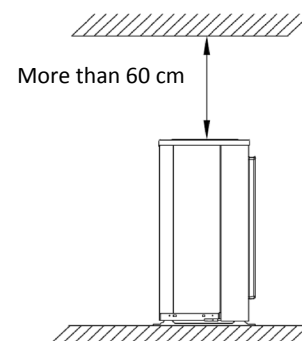
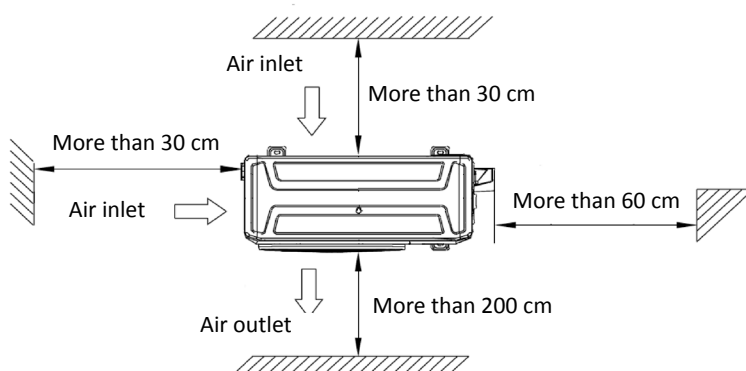
Model	KPD-105V DR14
Width	1.360 mm
Height	249 mm
Depth	774 mm
Weight	40,50 kg

DIMENSIONS & WEIGHT OUTDOOR

Model	KUE-105 DVR13
Width	946 mm
Height	810 mm
Depth	410 mm
Weight	66,90 kg

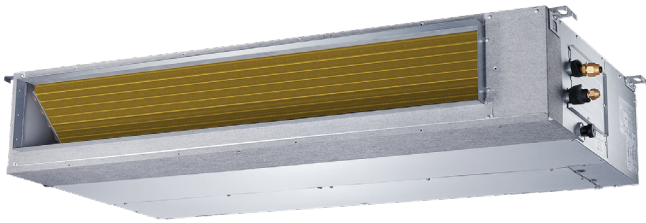


INSTALLATION



Vertical Ducts

PRODUCT SHEET



KCT-04 SPSWF
Standard controller



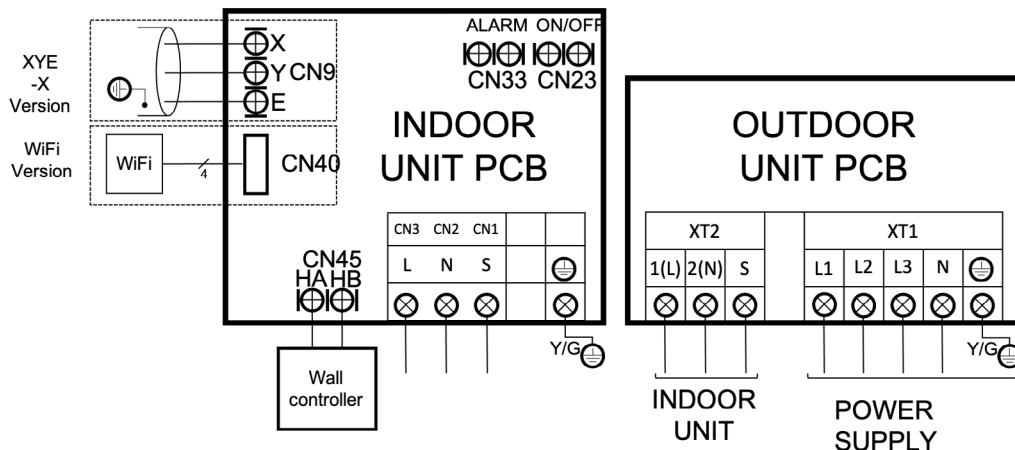
Product certified by:



FEATURES

Model	KPDA-105 V DTR14
Cooling capacity	10,55 kW
Cooling power input	4.000 W
Heating capacity	11,72 kW
Heating power input	3.250 W
ErP Classification cold/heat	A++ / A+
Airflow (indoor)	1.560/1.780/2.060 m ³ /h
Max. static pressure	160 Pa
Sound pressure (indoor)	35,40/37,70/40,30 dB(A)
Airflow (outdoor)	4.000 m ³ /h
Sound pressure (outdoor)	63 dB(A)
Power supply	380-415 V / 3 / 50 Hz
Max. input	10 A
Power wiring (indoor)	With communication
Power wiring (outdoor)	(4+T)x2,50 mm ²
Communication wiring	(3+T)x1 mm ²
Possibility of vertical installation	Yes

WIRING DIAGRAM

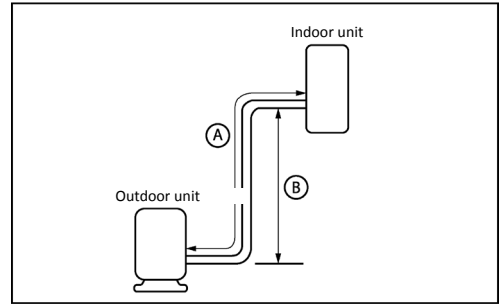


NOTES:

- (1) The data and specifications present in this sheet may vary without notice.
- (2) The images on this sheet are indicative and may be different from the final machine.

COOLING CONNECTION

Model	KPSA-105 V DTR14	
Refrigerating pipes	Ø3/8" / Ø5/8"	
Refrigerant charge / Additional charge	2,40 kg / 0,024 kg	
Indoor drain pipe	Ø25 mm	
Max. pipe length (A)	75 m	
Max. level difference (B)	30 m	

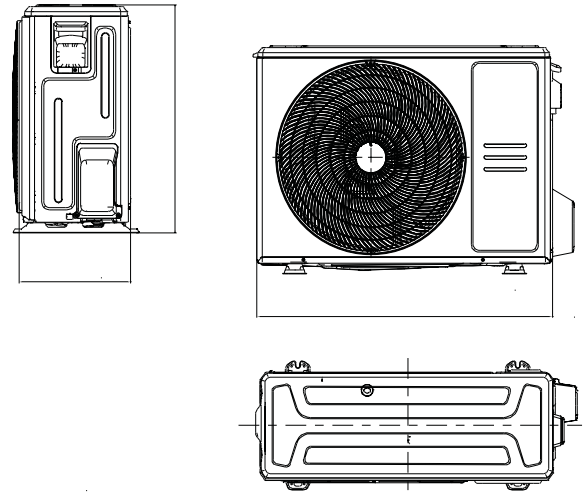
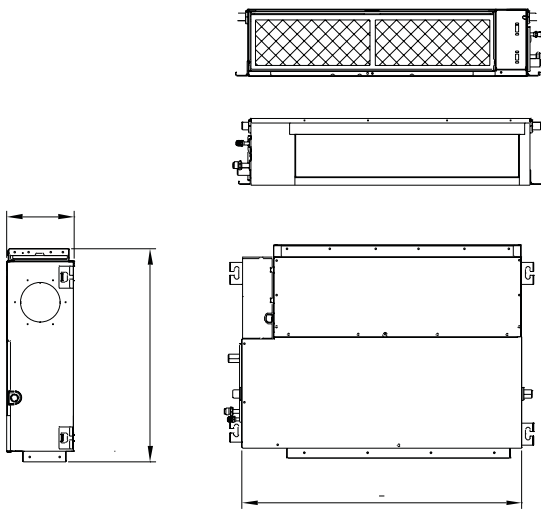


DIMENSIONS & WEIGHT INDOOR

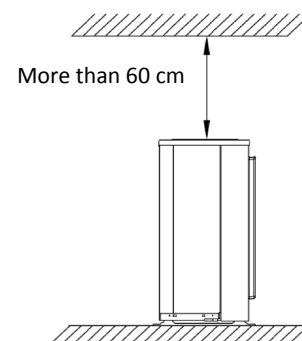
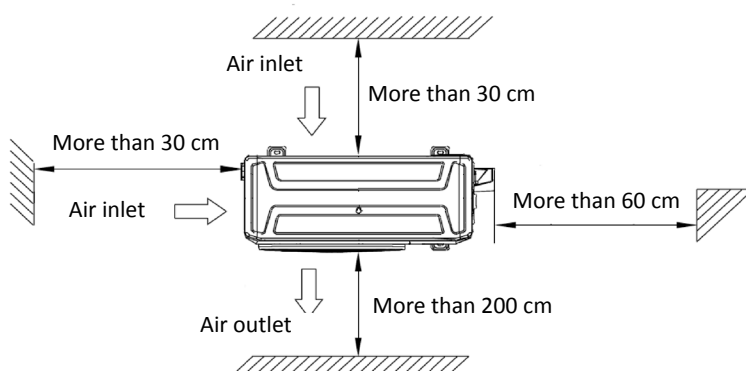
Model	KPD-105V DR14
Width	1.360 mm
Height	249 mm
Depth	774 mm
Weight	40,50 kg

DIMENSIONS & WEIGHT OUTDOOR

Model	KUE-105 DTR13
Width	946 mm
Height	810 mm
Depth	410 mm
Weight	80,50 kg

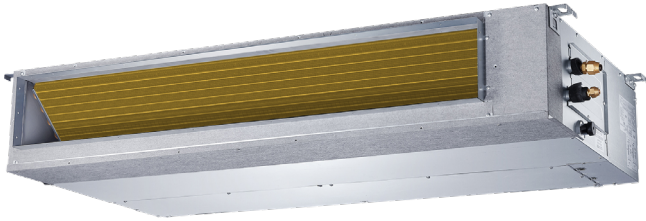


INSTALLATION



Vertical Ducts

PRODUCT SHEET



KCT-04 SPSWF
Standard controller



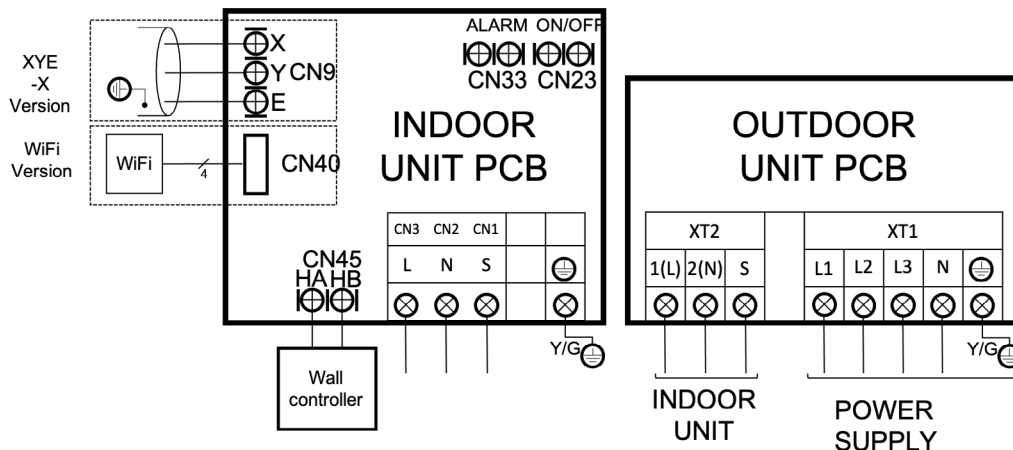
Product certified by:



FEATURES

Model	KPDA-160 V DTR14
Cooling capacity	15,24 kW
Cooling power input	5.250 W
Heating capacity	18,17 kW
Heating power input	5.150 W
ErP Classification cold/heat	A++ / A+
Airflow (indoor)	2.120/2.350/2.600 m ³ /h
Max. static pressure	160 Pa
Sound pressure (indoor)	36/38,90/42,30 dB(A)
Airflow (outdoor)	7.500 m ³ /h
Sound pressure (outdoor)	64 dB(A)
Power supply	380-415 V / 3 / 50 Hz
Max. input	14 A
Power wiring (indoor)	With communication
Power wiring (outdoor)	(4+T)x2,50 mm ²
Communication wiring	(3+T)x1 mm ²
Possibility of vertical installation	Yes

WIRING DIAGRAM



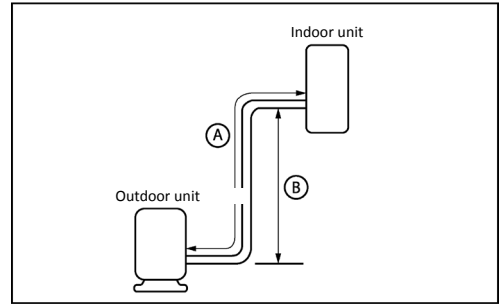
NOTES:

(1) The data and specifications present in this sheet may vary without notice.

(2) The images on this sheet are indicative and may be different from the final machine.

COOLING CONNECTION

Model	KPSA-160 V DTR14	
Refrigerating pipes	Ø3/8" / Ø5/8"	
Refrigerant charge / Additional charge	3 kg / 0,024 kg	
Indoor drain pipe	Ø25 mm	
Max. pipe length (A)	75 m	
Max. level difference (B)	30 m	

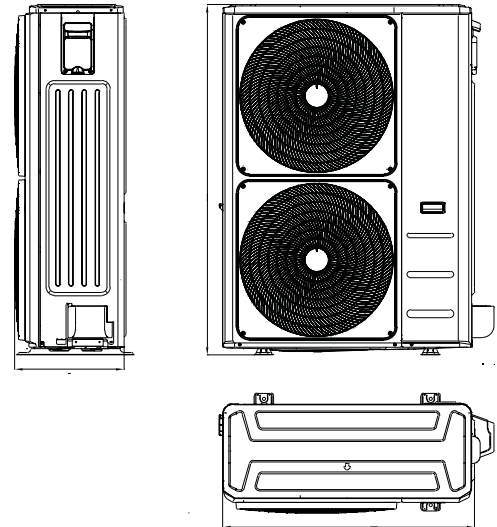
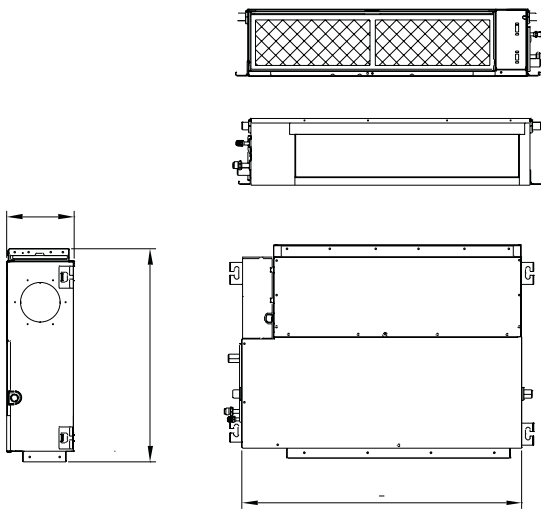


DIMENSIONS & WEIGHT INDOOR

Model	KPD-160V DR14
Width	1.200 mm
Height	300 mm
Depth	874 mm
Weight	47,40 kg

DIMENSIONS & WEIGHT OUTDOOR

Model	KUE-160 DTR13
Width	952 mm
Height	1.333 mm
Depth	415 mm
Weight	107 kg



INSTALLATION

