

# Swimming pool heat pump KSWP

## PRODUCT SHEET



Standard controller

Product certified by:



## FEATURES

| Model                                       |  | KSWP-70 DR8      | KSWP-90 DR8    |
|---|--|------------------|----------------|
| Recommended pool volume (A+15°C, W+28°C) m3 |  | < 35             | < 45           |
| Heating (A27/<br>HR80%, W28°C)              | Heating capacity (Mode Boost)            | 7,16 (10,3) kW   | 9,15 (12,8) kW |
|   | Power absorbed (Mode Boost)              | 0,95 (1,56) kW   | 1,35 (2,13) kW |
|   | COP (Mode Boost)                         | 7,50 (6,60)      | 6,80 (6,00)    |
| Heating (A15/<br>HR70%, W28°C)              | Heating capacity (Mode Boost)            | 5,30 (7,30) kW   | 6,80 (9,30) kW |
|   | Power absorbed (Mode Boost)              | 1,04 (1,56) kW   | 1,39 (2,09) kW |
|   | COP (Mode Boost)                         | 5,10 (4,69)      | 4,90 (4,45)    |
| Cooling (A35,<br>W28°C)                     | Cooling capacity                         | 4,5 kW           | 5,2 kW         |
|   | Power absorbed                           | 1,13 kW          | 1,55 kW        |
|   | EER                                      | 3,98             | 3,35           |
| Sound pressure                              | Heating (A27/HR80%, W28°C) / Silent mode | 41 / 38 dB(A)    | 43 / 38 dB(A)  |
|   | Cooling (A35, W28°C) / Silent mode       | 43 / 39 dB(A)    | 45 / 40 dB(A)  |
| General data                                | Coolant                                  | R32              |                |
|   | Refrigerant precharge                    | 0,55 kg          | 0,55 kg        |
|   | Feeding V/-/Hz                           | 220-240 / 1 / 50 |                |
|   | Maximum current                          | 10,5 A           | 11 A           |
| Water side                                  | Hydraulic connections                    | DN50 PVC mm      | DN50 PVC mm    |
|   | Nominal water flow rate                  | 3,1 m3/h         | 3,9 m3/h       |
|   | Nominal DT                               | 2 °C             | 2 °C           |
|   | Heat exchanger pressure drop             | 4,6 kPa          | 7,3 kPa        |
| Range of operation                          | Ambient Temp.                            | -7 ~ +43 °C      |                |
|   | Water temp. min. cooling / max. heating  | +10 ~ +42 °C     |                |

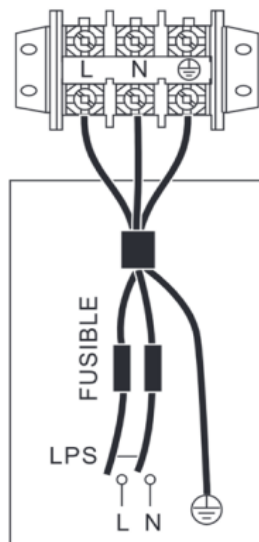
NOTES:

- (1) The data and specifications present in this sheet may vary without notice.  
 (2) The images on this sheet are indicative and may be different from the final machine.

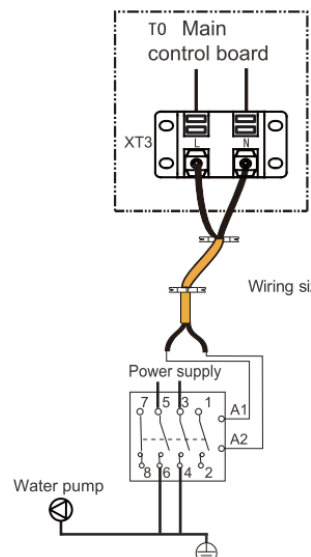
## FEATURES

| Model   |  | KS WP-120 DR8         | KS WP-160 DR8         | KS WP-200 DR8         |
|---|--|-----------------------|-----------------------|-----------------------|
| Recommended pool volume (A+15°C, W+28°C) m <sup>3</sup> |  | < 60                  | < 80                  | < 100                 |
| Heating (A27/<br>HR80%, W28°C)                          | Heating capacity (Mode Boost)            | 12,5 (14,5) kW        | 16,00 (18,70) kW      | 18,80 (21,80) kW      |
|   | Power absorbed (Mode Boost)              | 1,79 (2,28) kW        | 2,67 (3,67) kW        | 3,62 (4,95) kW        |
|   | COP (Mode Boost)                         | 7,00 (6,35)           | 6,00 (5,10)           | 5,20 (4,40)           |
| Heating (A15/<br>HR70%, W28°C)                          | Heating capacity (Mode Boost)            | 9,12 (10,5) kW        | 12,80 (15,00) kW      | 14,50 (17,00) kW      |
|   | Power absorbed (Mode Boost)              | 1,81 (2,28) kW        | 2,84 (3,95) kW        | 3,45 (4,72) kW        |
|   | COP (Mode Boost)                         | 5,05 (4,60)           | 4,50 (3,80)           | 4,20 (3,60)           |
| Cooling (A35,<br>W28°C)                                 | Cooling capacity                         | 7 kW                  | 7,8 kW                | 8,6 kW                |
|   | Power absorbed                           | 1,75 kW               | 2,6 kW                | 3,31 kW               |
|   | EER                                      | 4                     | 3                     | 2,6                   |
| Sound pressure  | Heating (A27/HR80%, W28°C) / Silent mode | 49 / 38 dB(A)         | 50 / 39 dB(A)         | 54 / 40 dB(A)         |
|   | Cooling (A35, W28°C) / Silent mode       | 48 / 40 dB(A)         | 51 / 42 dB(A)         | 52 / 43 dB(A)         |
| General data  | Coolant                                  | R32                   |                       |                       |
|   | Refrigerant precharge                    | 0,75 kg               | 0,78 kg               | 0,78 kg               |
|   | Feeding V/-/Hz                           | 220-240 / 1 / 50      |                       |                       |
|   | Maximum current                          | 12 A                  | 18 A                  | 23 A                  |
| Water side  | Hydraulic connections                    | DN50 PVC mm           | DN50 PVC mm           | DN50 PVC mm           |
|   | Nominal water flow rate                  | 5,4 m <sup>3</sup> /h | 6,9 m <sup>3</sup> /h | 8,3 m <sup>3</sup> /h |
|   | Nominal DT                               | 2 °C                  | 2 °C                  | 2 °C                  |
|   | Heat exchanger pressure drop             | 13,8 kPa              | 23 kPa                | 33 kPa                |
| Range of operation                                      | Ambient Temp.                            | -7 ~ +43 °C           |                       |                       |
|   | Water temp. min. cooling / max. heating  | +10 ~ +42 °C          |                       |                       |

## WIRING DIAGRAM

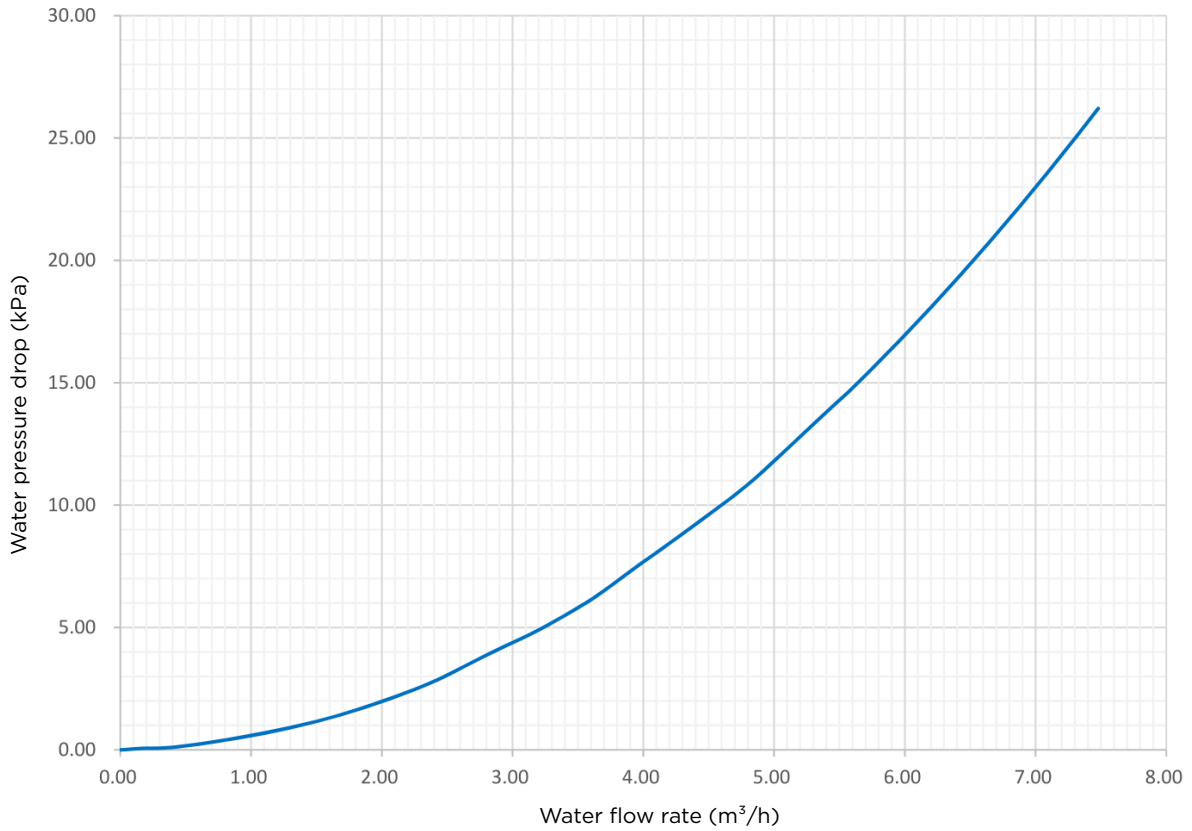


Power supply



Remote pump

## TITANIUM EXCHANGER PRESSURE DROP



## DIMENSIONS & WEIGHT OF INDOOR UNIT

| Model               | Weight | W      | H      | D      |
|---------------------|--------|--------|--------|--------|
| <b>KSWP-70 DR8</b>  | 46 kg  | 988 mm | 426 mm | 712 mm |
| <b>KSWP-90 DR8</b>  | 46 kg  | 988 mm | 426 mm | 712 mm |
| <b>KSWP-120 DR8</b> | 50 kg  | 988 mm | 426 mm | 712 mm |
| <b>KSWP-160 DR8</b> | 53 kg  | 988 mm | 426 mm | 712 mm |
| <b>KSWP-200 DR8</b> | 53 kg  | 988 mm | 426 mm | 712 mm |

