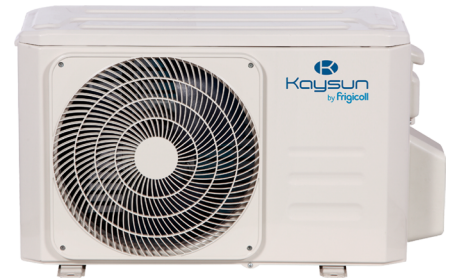


Prodigy PRO

PRODUCT SHEET



KID-05.1 S
Standard controller



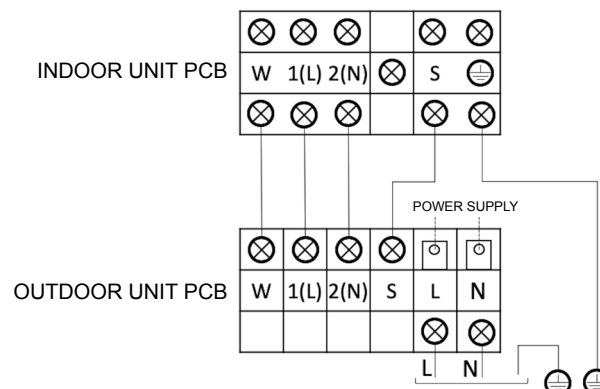
Product certified by:



FEATURES

Model	AKAY-P 26 DR10	AKAY-P 35 DR10	AKAY-P 52 DR10	AKAY-P 71 DR10
Cooling capacity	2,73 kW	3,52 kW	5,28 kW	7,03 kW
Cooling power input	619 W	925 W	1.318 W	1.760 W
Heating capacity	3,14 kW	3,96 kW	5,57 kW	7,33 kW
Heating power input	681 W	990 W	1.500 W	1.975 W
ErP Classification cold/heat	A+++ / A++	A+++ / A++	A+++ / A+	A+++ / A+
Airflow (indoor)	530 / 360 / 280 m ³ /h	560 / 380 / 290 m ³ /h	685 / 580 / 400 m ³ /h	1092 / 724 / 379 m ³ /h
Sound pressure (indoor)	40 / 32 / 21.5 / 20.5 dB(A)	41 / 34 / 22 / 21 dB(A)	41 / 35 / 23 / 22 dB(A)	44.5 / 40 / 33 / 21 dB(A)
Airflow (outdoor)	2.150 m ³ /h	2.200 m ³ /h	3.500 m ³ /h	3.500 m ³ /h
Sound pressure (outdoor)	55 dB(A)	55 dB(A)	56 dB(A)	58,5 dB(A)
Power supply	220-240 V / 1 / 50 Hz			
Power wiring (outdoor)	(3+T) x 1,50 mm ²	(3+T) x 1,50 mm ²	(3+T) x 1,50 mm ²	(3+T) x 1,50 mm ²
Communication wiring	(4+T) x 1,50 mm ²	(4+T) x 1,50 mm ²	(4+T) x 1,50 mm ²	(4+T) x 1,50 mm ²
Refrigerating pipes	Ø1/4" / Ø3/8"	Ø1/4" / Ø3/8"	Ø1/4" / Ø1/2"	Ø3/8" / Ø5/8"
Refrigerant charge / Additional charge	0.62 kg / 0,012 kg/m	0.62 kg / 0,012 kg/m	1,1 kg / 0,012 kg/m	1,5 kg / 0,024 kg/m
Max. pipe length	25 m	25 m	30 m	50 m
Max. level difference	10 m	10 m	20 m	25 m

WIRING DIAGRAM



NOTES:

(1) The data and specifications present in this sheet may vary without notice.
 (2) The images on this sheet are indicative and may be different from the final machine.

DIMENSIONS & WEIGHT OF INDOOR UNIT

Model	Weight	A	B	C
KAY-P 26 DR10	10,2 kg	857 mm	231 mm	300 mm
KAY-P 35 DR10	10,2 kg	857 mm	231 mm	300 mm
KAY-P 52 DR10	12,3 kg	1024 mm	246 mm	321 mm
KAY-P 72 DR10	20 kg	1197 mm	280 mm	371 mm



DIMENSIONS & WEIGHT OF OUTDOOR UNIT

Model	Weight	Width	Height	Depth
KAE-26 DR9	26,70 kg	765 mm	555 mm	303 mm
KAE-35 DR9	26,70 kg	765 mm	555 mm	303 mm
KAE-P 52 DR9	38,80 kg	890 mm	675 mm	342 mm
KAE-P 71 DR9	45,60 kg	890 mm	675 mm	342 mm

