

Floor/Ceiling Twins Axial Current Loop

PRODUCT SHEET



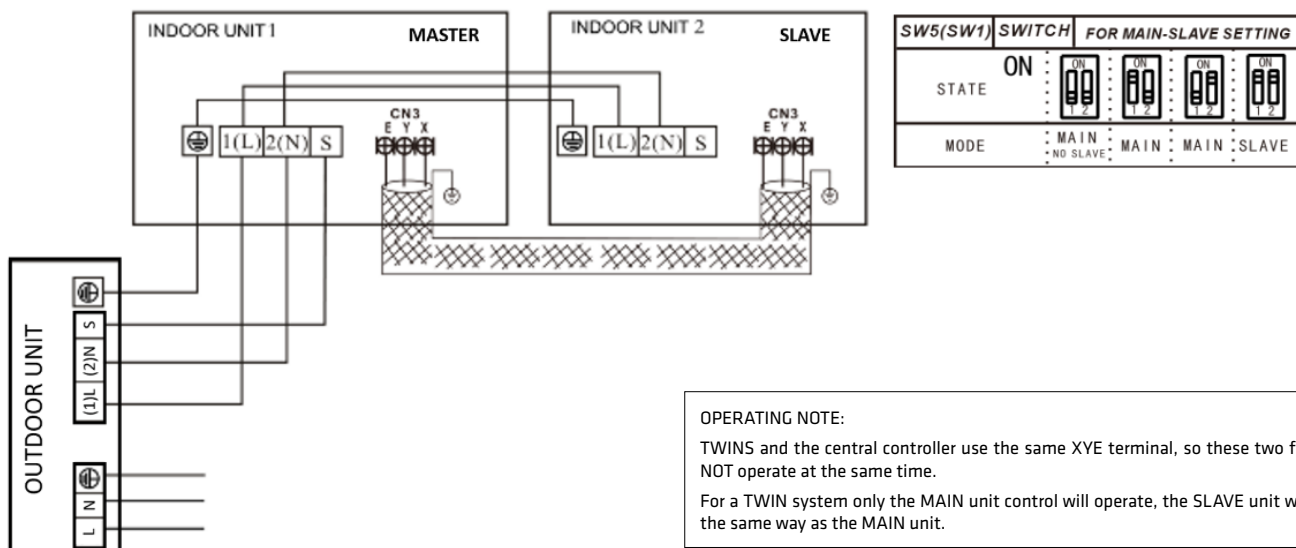
KID-05 S
Recommended
controller



FEATURES

Indoor model / Outdoor model	2x KPC-52 DR13 / KUE-105 DVR13
Cooling capacity (indoor)	2x 5,28 kW
Heating capacity (indoor)	2x 5,57 kW
Airflow (indoor)	723/839/958 m ³ /h
Sound pressure (indoor)	37/41/44 dB(A)
Airflow (outdoor)	3800 m ³ /h
Sound pressure (outdoor)	62 dB(A)
Power supply	220-240 V / 1 / 50 Hz
Circuit breaker / Fuse	50 / 40 A
Power wiring (outdoor)	(2+T)x4 mm ²
Interconnection wiring (outdoor - indoor)	(3+T)x1 mm ²
Controller communication wiring	2x0,5 mm ² (≤20 m) / 2x0,75-1,25 mm ² (≤50 m)
XYE communication BUS (shielded)	3x0,75 mm ²

WIRING DIAGRAM



OPERATING NOTE:

TWINS and the central controller use the same XYE terminal, so these two functions will NOT operate at the same time.

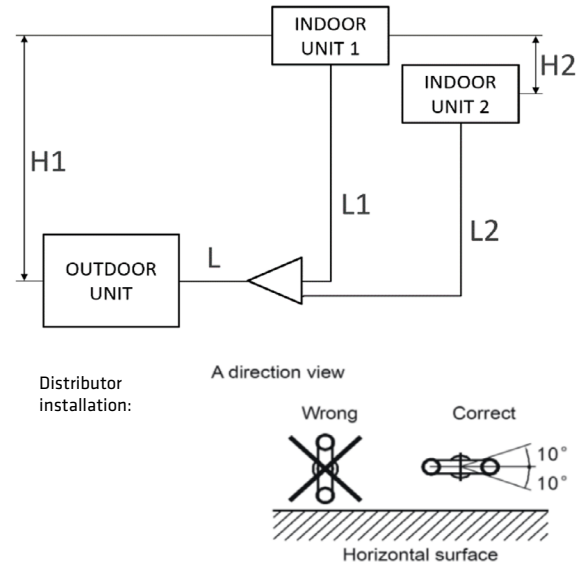
For a TWIN system only the MAIN unit control will operate, the SLAVE unit will operate in the same way as the MAIN unit.

NOTES:

- (1) The data and specifications present in this sheet may vary without notice.
(2) The images on this sheet are indicative and may be different from the final machine.

COOLING CONNECTION

Model	2x KPC-52 DR13 / KUE-105 DVR13	
Refrigerating pipes (L)	Ø3/8" / Ø5/8"	
Refrigerating pipes (L1 & L2)	Ø1/4" / Ø1/2"	
Refrigerant charge	2,40 kg	
Indoor drain pipe	Ø25 mm	
Max. pipe length	50 m	
Max. level difference between outdoor & indoor unit (H1)	20 m	
Max. level difference between indoor units (H2)	0,50 m	
Max. pipe length (L1 & L2)	15 m	
Difference between pipes (L1-L2)	10 m	

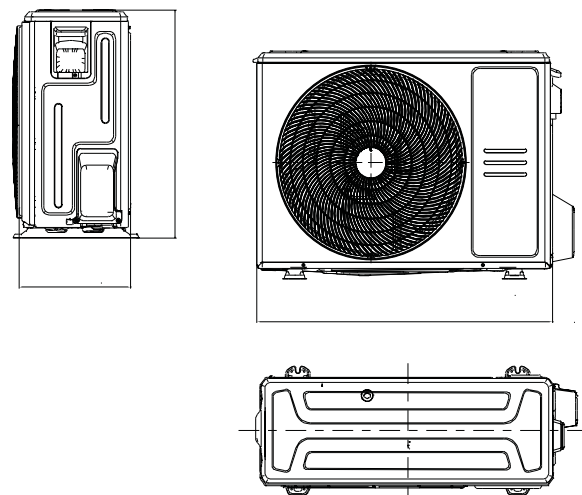
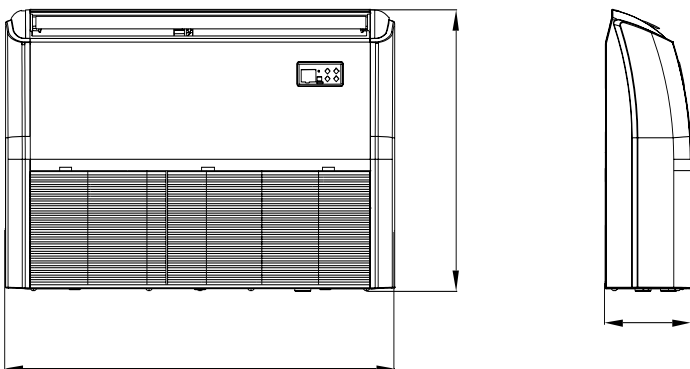


DIMENSIONS & WEIGHT INDOOR

Model	KPC-52 DR13
Width	1.068 mm
Height	235 mm
Depth	675 mm
Weight	28 kg

DIMENSIONS & WEIGHT OUTDOOR

Model	KUE-105 DVR13
Width	946 mm
Height	810 mm
Depth	410 mm
Weight	52,8 kg





Kaysun
by frigicoll

ES

FR

ENGLISH

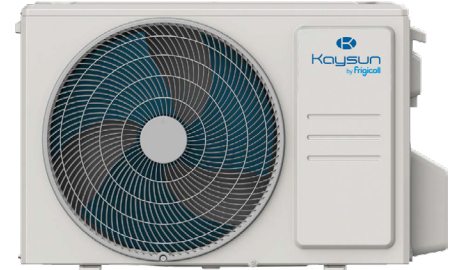
LANGUAGES

Floor/Ceiling Twins Axial Current Loop

PRODUCT SHEET



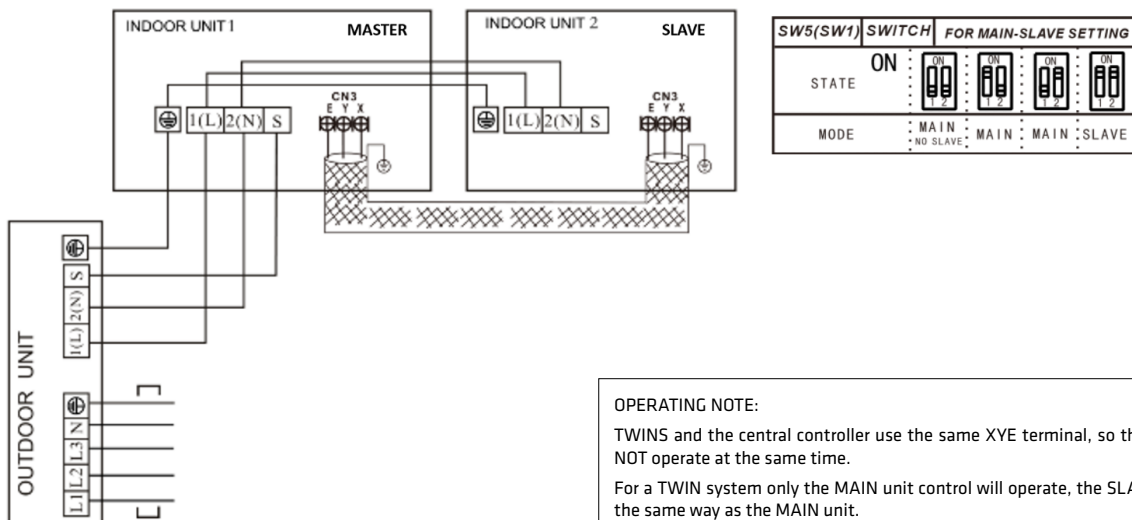
KID-05 S
Recommended
controller



FEATURES

Indoor model / Outdoor model	2x KPC-52 DR13 / KUE-105 DTR13
Cooling capacity (indoor)	2x 5,28 kW
Heating capacity (indoor)	2x 5,57 kW
Airflow (indoor)	723/839/958 m ³ /h
Sound pressure (indoor)	37/41/44 dB(A)
Airflow (outdoor)	4.000 m ³ /h
Sound pressure (outdoor)	63 dB(A)
Power supply	380-415 V / 3 / 50 Hz
Circuit breaker / Fuse	25 / 20 A
Power wiring (outdoor)	(4+T)x2,50 mm ²
Interconnection wiring (outdoor - indoor)	(3+T)x1 mm ²
Controller communication wiring	2x0,5 mm ² (≤20 m) / 2x0,75-1,25 mm ² (≤50 m)
XYE communication BUS (shielded)	3x0,75 mm ²

WIRING DIAGRAM



OPERATING NOTE:

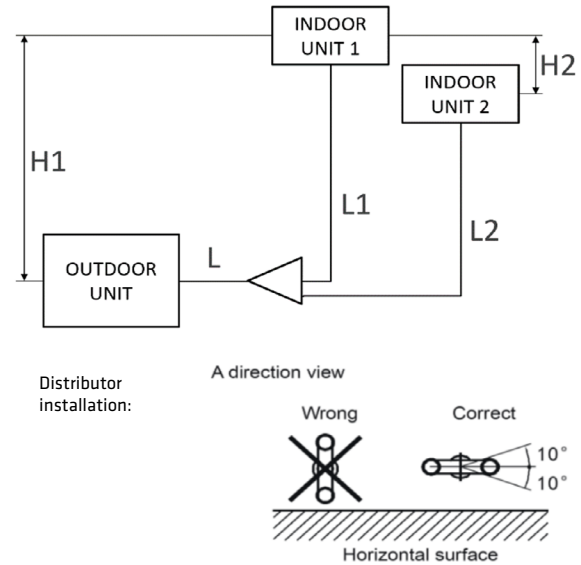
TWINS and the central controller use the same XYE terminal, so these two functions will NOT operate at the same time.

For a TWIN system only the MAIN unit control will operate, the SLAVE unit will operate in the same way as the MAIN unit.

NOTES:
(1) The data and specifications present in this sheet may vary without notice.
(2) The images on this sheet are indicative and may be different from the final machine.

COOLING CONNECTION

Model	2x KPC-52 DR13 / KUE-105 DTR13	
Refrigerating pipes (L)	Ø3/8" / Ø5/8"	
Refrigerating pipes (L1 & L2)	Ø1/4" / Ø1/2"	
Refrigerant charge	2,40 kg	
Indoor drain pipe	Ø25 mm	
Max. pipe length	50 m	
Max. level difference between outdoor & indoor unit (H1)	20 m	
Max. level difference between indoor units (H2)	0,50 m	
Max. pipe length (L1 & L2)	15 m	
Difference between pipes (L1-L2)	10 m	

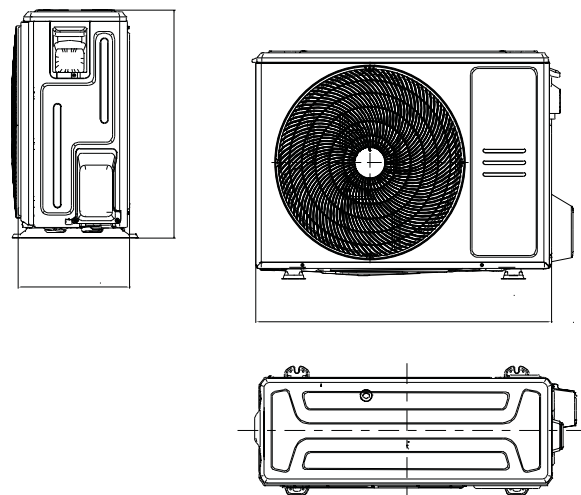
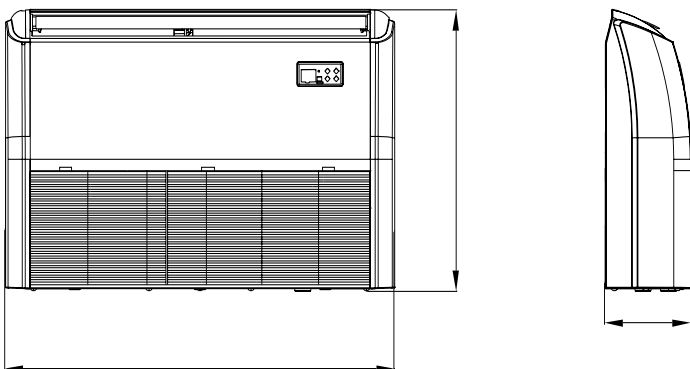


DIMENSIONS & WEIGHT INDOOR

Model	KPC-52 DR13
Width	1.068 mm
Height	235 mm
Depth	675 mm
Weight	28 kg

DIMENSIONS & WEIGHT OUTDOOR

Model	KUE-105 DTR13
Width	946 mm
Height	810 mm
Depth	410 mm
Weight	66,9 kg



Floor/Ceiling Twins Axial Current Loop



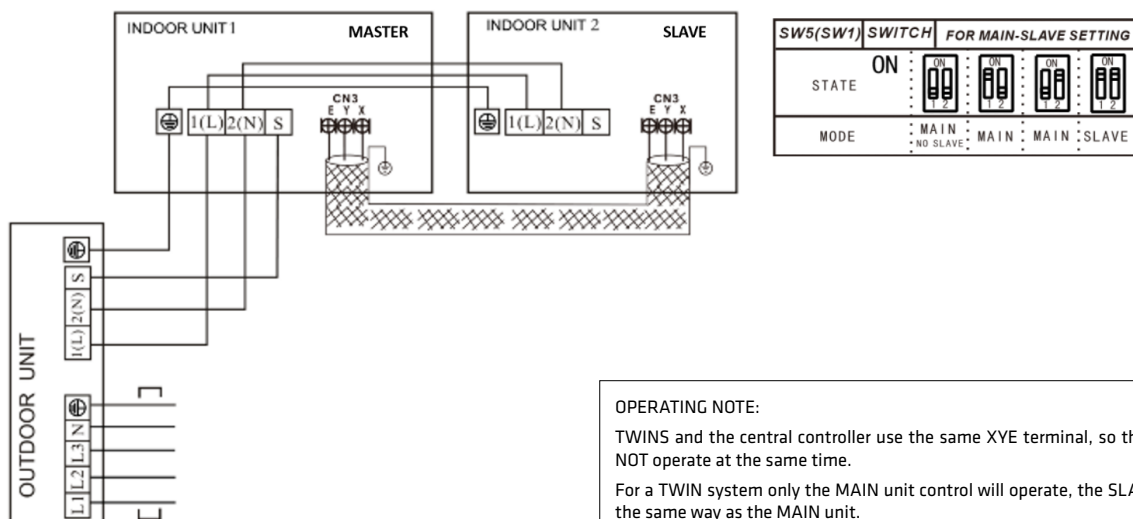
KID-05 S
Recommended
controller



FEATURES

Indoor model / Outdoor model	2x KPC-71 DR13 / KUE-140 DTR13
Cooling capacity (indoor)	2x 7,03 kW
Heating capacity (indoor)	2x 7,62 kW
Airflow (indoor)	853/1023/1192 m ³ /h
Sound pressure (indoor)	43/47/51 dB(A)
Airflow (outdoor)	7.500 m ³ /h
Sound pressure (outdoor)	63,5 dB(A)
Power supply	380-415 V / 3 / 50 Hz
Circuit breaker / Fuse	32 / 25 A
Power wiring (outdoor)	(4+T)x2,50 mm ²
Interconnection wiring (outdoor - indoor)	(3+T)x1 mm ²
Controller communication wiring	2x0,5 mm ² (≤20 m) / 2x0,75-1,25 mm ² (≤50 m)
XYE communication BUS (shielded)	3x0,75 mm ²

WIRING DIAGRAM



OPERATING NOTE:

TWINS and the central controller use the same XYE terminal, so these two functions will NOT operate at the same time.

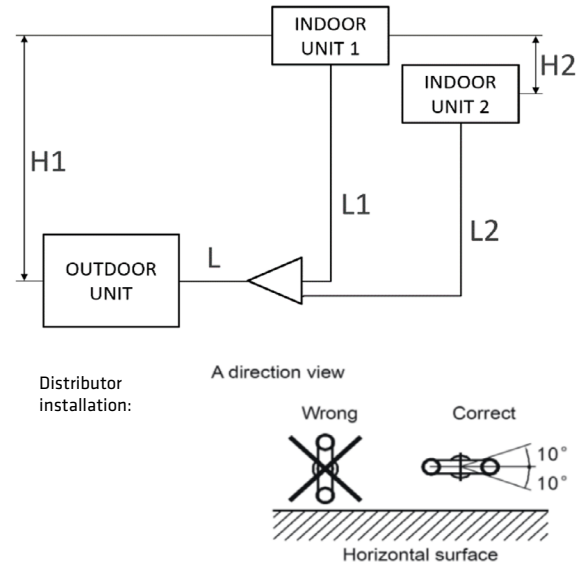
For a TWIN system only the MAIN unit control will operate, the SLAVE unit will operate in the same way as the MAIN unit.

NOTES:

- (1) The data and specifications present in this sheet may vary without notice.
- (2) The images on this sheet are indicative and may be different from the final machine.

COOLING CONNECTION

Model	2x KPC-71 DR13 / KUE-140 DTR13	
Refrigerating pipes (L)	Ø3/8" / Ø5/8"	
Refrigerating pipes (L1 & L2)	Ø3/8" / Ø5/8"	
Refrigerant charge	2,40 kg	
Indoor drain pipe	Ø25 mm	
Max. pipe length	65 m	
Max. level difference between outdoor & indoor unit (H1)	20 m	
Max. level difference between indoor units (H2)	0,50 m	
Max. pipe length (L1 & L2)	15 m	
Difference between pipes (L1-L2)	10 m	



DIMENSIONS & WEIGHT INDOOR

Model	KPC-71 DR13
Width	1.068 mm
Height	235 mm
Depth	675 mm
Weight	28 kg

DIMENSIONS & WEIGHT OUTDOOR

Model	KUE-140 DTR13
Width	952 mm
Height	1333 mm
Depth	415 mm
Weight	103,70 kg

