


# Sensation Multisystem

## PRODUCT SHEET



KID-05.4 S  
Standard controller

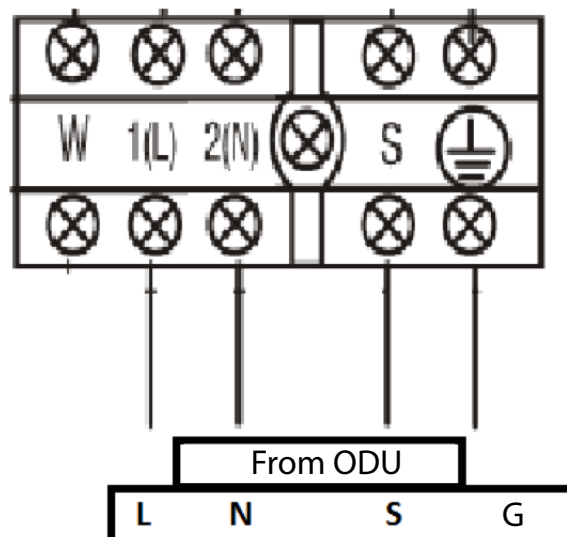
Product certified by: 



### FEATURES

Model	KAY-S 26 DR9	KAY-S 35 DR9
Cooling capacity	2,64 kW	3,52 kW
Heating capacity	2,93 kW	3,81 kW
Airflow	425/515/700 m <sup>3</sup> /h	425/515/700 m <sup>3</sup> /h
Sound pressure	21,50 dB(A)	21,50 dB(A)
Power supply	220-240 V / 1 / 50 Hz	
Communication wiring	(3+T)x2,50 mm <sup>2</sup>	
Refrigerating pipes	Ø1/4" / Ø3/8"	Ø1/4" / Ø3/8"

### WIRING DIAGRAM



NOTES:  
 (1) The data and specifications present in this sheet may vary without notice.  
 (2) The images on this sheet are indicative and may be different from the final machine.

## DIMENSIONS & WEIGHT OF INDOOR UNIT

Model	Weight	Width	Height	Depth
<b>KAY-S 26 DR9</b>	11,30 kg	920 mm	211 mm	321 mm
<b>KAY-S 35 DR9</b>	11,30 kg	920 mm	211 mm	321 mm

