

# Sensation

## PRODUCT SHEET



KID-05.4 S  
Standard controller



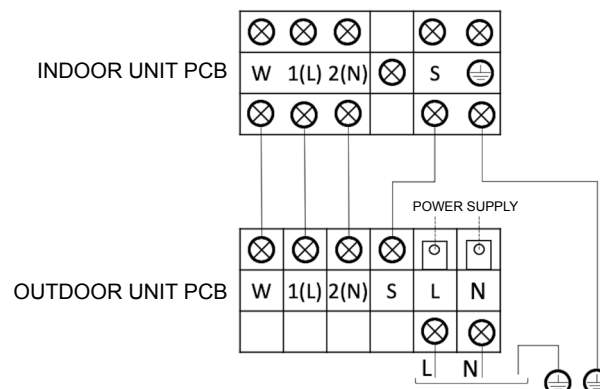
Product certified by:



## FEATURES

Model	AKAY-S 26 DR9	AKAY-S 35 DR9
Cooling capacity	2,64 kW	3,52 kW
Cooling power input	600 W	900 W
Heating capacity	2,93 kW	3,81 kW
Heating power input	623 W	950 W
Efficiency class cooling/heating	A+++ / A++	A+++ / A++
Airflow (indoor)	425/515/700 m <sup>3</sup> /h	425/515/700 m <sup>3</sup> /h
Sound pressure (indoor)	21,5 dB(A)	21,5 dB(A)
Airflow (outdoor)	2.200 m <sup>3</sup> /h	2.200 m <sup>3</sup> /h
Sound pressure (outdoor)	53,5 dB(A)	53,5 dB(A)
Power supply	220-240 V / 1 / 50 Hz	
Power wiring (outdoor)	(2+T)x1,50 mm <sup>2</sup>	(2+T)x1,50 mm <sup>2</sup>
Communication wiring	(4+T)x1,50 mm <sup>2</sup>	(4+T)x1,50 mm <sup>2</sup>
Refrigerating pipes	Ø1/4" / Ø3/8"	Ø1/4" / Ø3/8"
Refrigerant charge / Additional charge	0,69 kg / 0,012 kg	0,69 kg / 0,012 kg
Max. pipe length	25 m	25 m
Max. level difference	10 m	10 m

## WIRING DIAGRAM

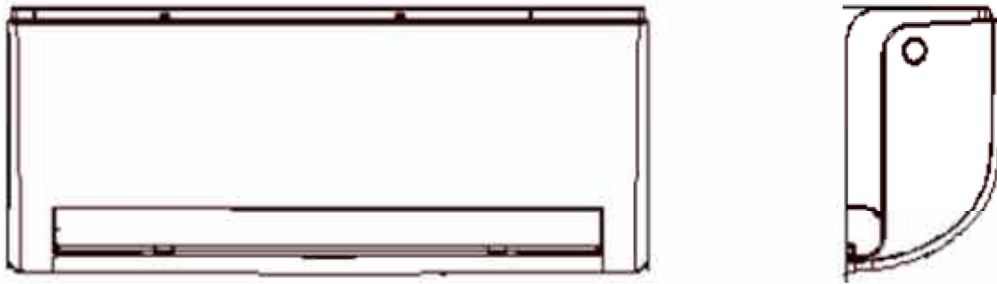


NOTES:

- (1) The data and specifications present in this sheet may vary without notice.  
 (2) The images on this sheet are indicative and may be different from the final machine.

## DIMENSIONS & WEIGHT OF INDOOR UNIT

Model	Weight	A	B	C
KAY-S 26 DR9	11,30 kg	920 mm	211 mm	321 mm
KAY-S 35 DR9	11,30 kg	920 mm	211 mm	321 mm



## DIMENSIONS & WEIGHT OF OUTDOOR UNIT

Model	Weight	Width	Height	Depth
KAE-S 26 DR9	26,40 kg	765 mm	555 mm	303 mm
KAE-S 35 DR9	26,40 kg	765 mm	555 mm	303 mm

