

ORIGINAL
MANUAL



OWNER'S AND INSTALLATION MANUAL

Prodigy Multifunction Board

KMB-01



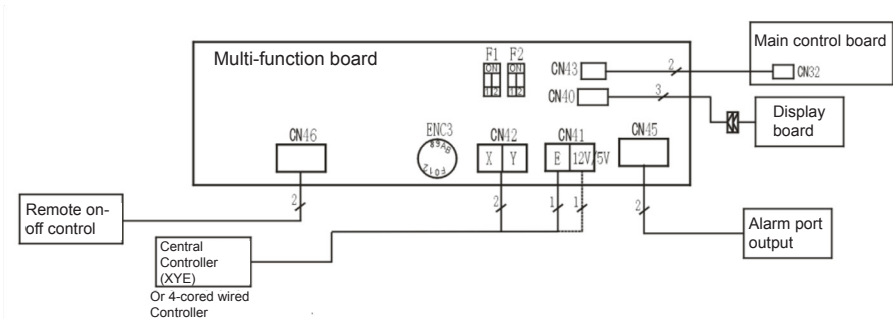
Thank you very much for purchasing our air conditioner. Please read this owner's manual carefully before using your air conditioner. Make sure to save this manual for future reference.

Contents

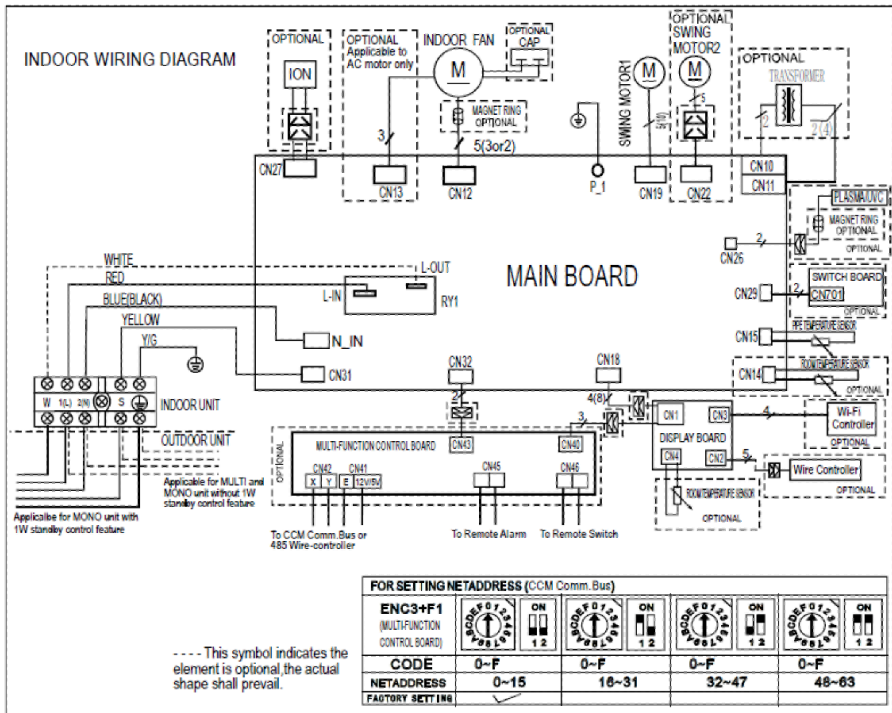
- 1. Diagrams and available ports of the multifunction board..... 2
- 2. Installation 5
- 3. Additional notes 12

1. The explanation of ports on multifunction board

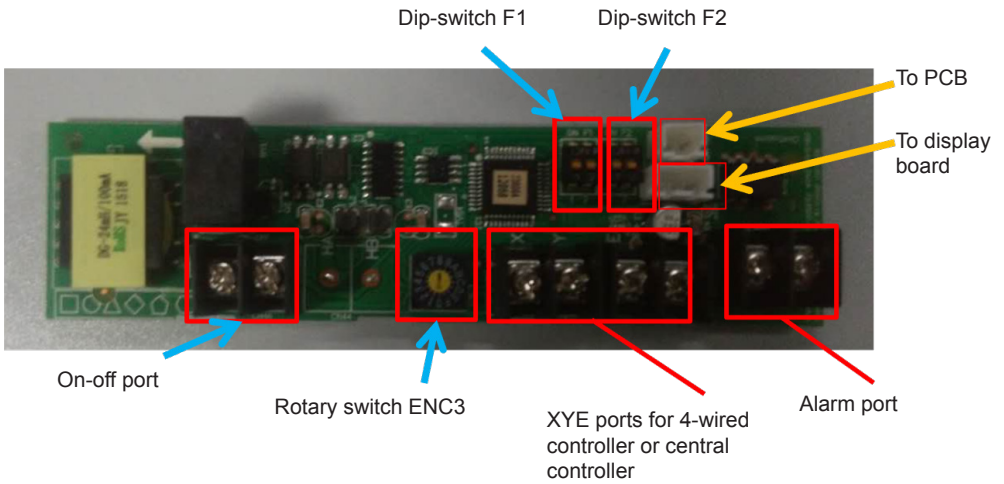
A) Multi-function board scheme



B) Connection between indoor unit and Multi-function board scheme







C) Available ports and switches



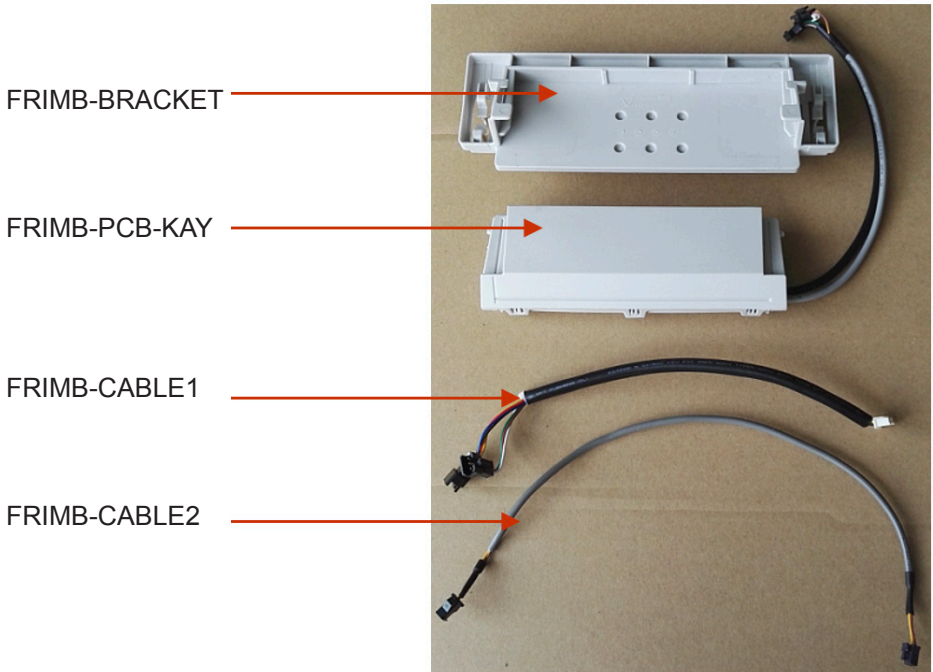
1. Rotary switch ENC3 and Dip-switch F1 is for Net address setting;
2. Dip switch F2 is for On-off setting

D) F2 port on multi function board

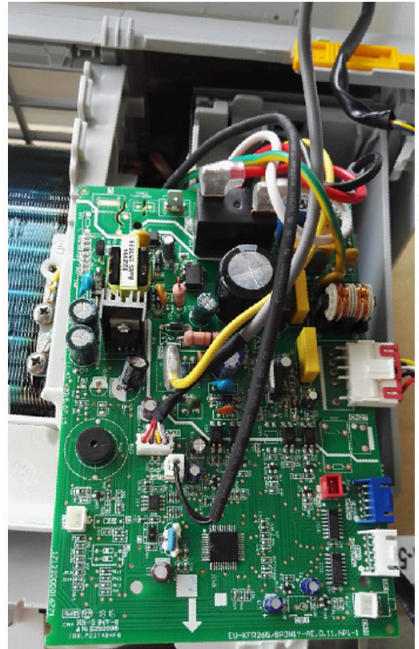
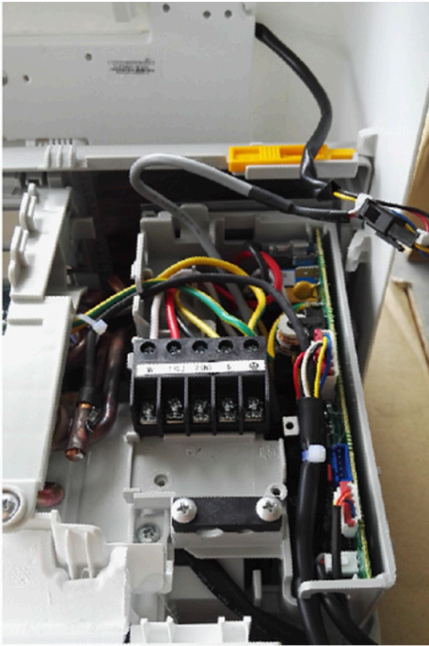
| Picture | Dip-switch 1 | Dip-switch 2 | ON-OFF port | Unit's Operation |
|---|--------------|--------------|--|-------------------------------|
|  | ON | ON | <ul style="list-style-type: none"> ON-OFF port works as an ON/OFF button. By connecting the port, 'OFF' signal is sent to switch off the unit. You can switch on the unit with remote controller. By disconnecting the port, 'ON' signal is sent to switch on the unit. You can switch off the unit with remote controller. | Restart with auto mode, 24°C |
|  | ON | OFF | <ul style="list-style-type: none"> ON-OFF port works as an ON/OFF button. By disconnecting the port, 'OFF' signal is sent to switch off the unit. You can switch on the unit with remote controller. By connecting the port, 'ON' signal is sent to switch on the unit. You can switch off the unit with remote controller. | Restart with auto mode, 24°C |
|  | OFF | OFF | <ul style="list-style-type: none"> When ON-OFF port is connected, unit shows CP and can't work. And you can not control the unit with remote controller. When ON-OFF port is disconnected, unit works normally. And you can control the unit with remote controller. | Restart with previous setting |
|  | OFF | ON | <ul style="list-style-type: none"> When ON-OFF port is connected, unit works normally. And you can control the unit with remote controller. When ON-OFF port is disconnected, unit shows CP and can't work. And you can not control the unit with remote controller. | Restart with previous setting |

2. Installation

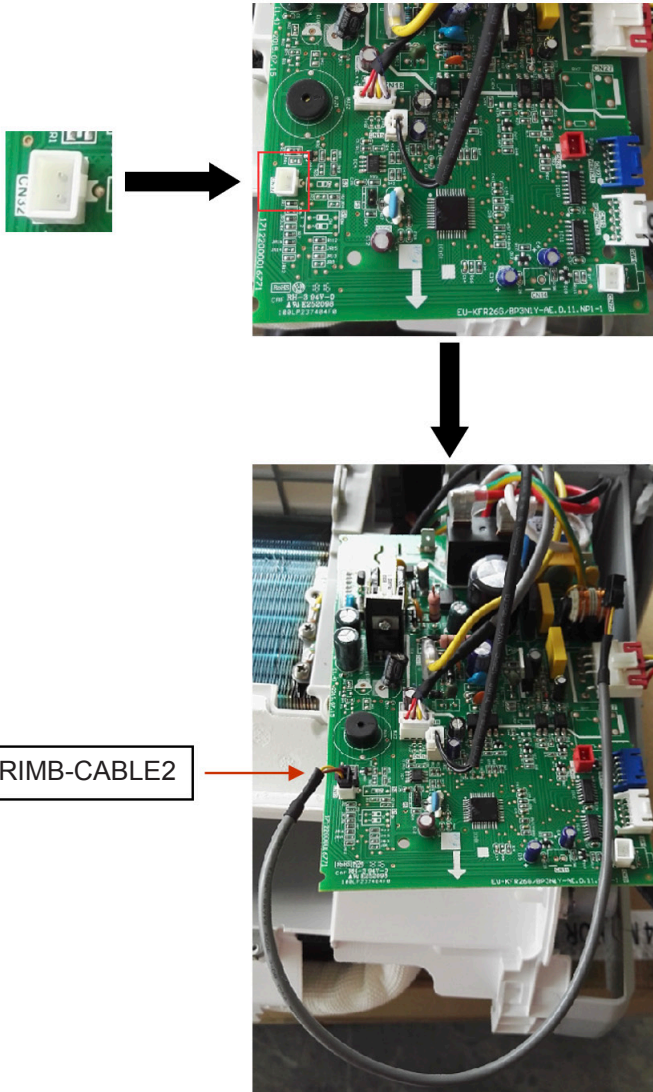
A) Necessary parts



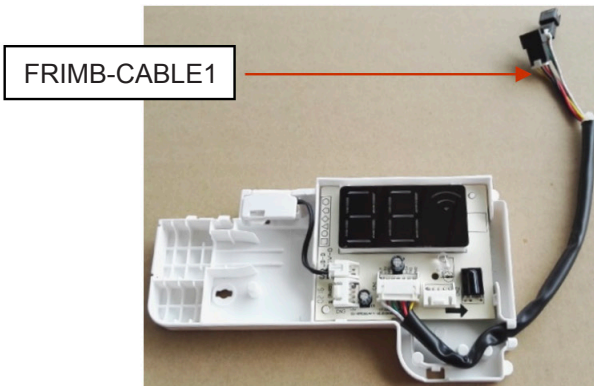
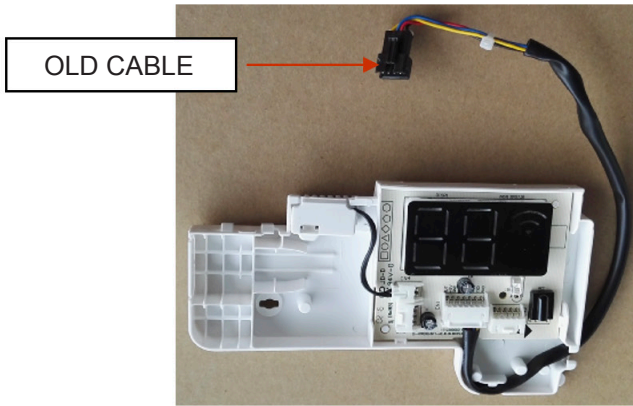
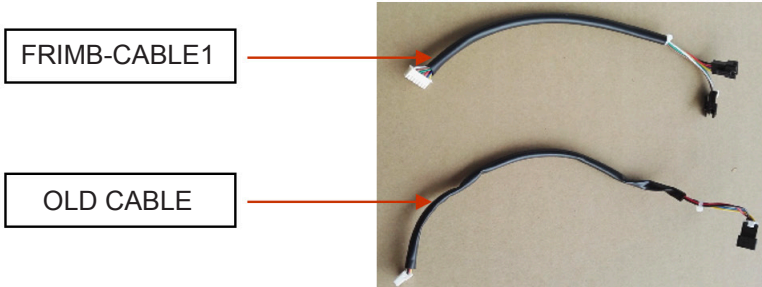
Step1: Open the Electrical box and take out the PCB



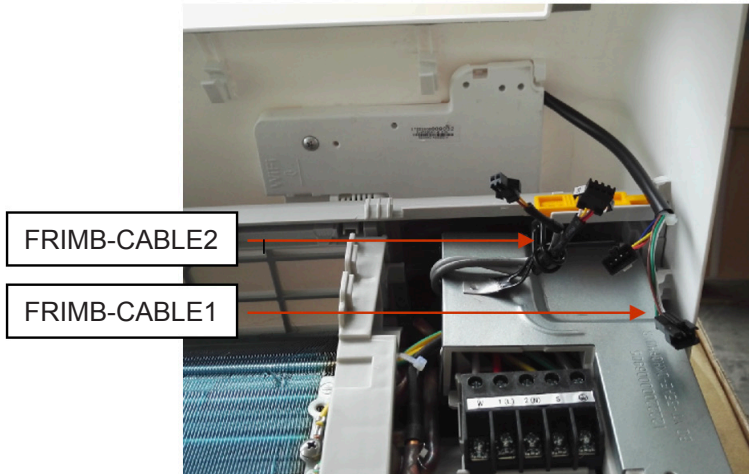
Step 2: Insert FRIMB-CABLE 2terminal into CN32 on the PCB



Step 3: Open the Display box and replace the old cable with FRIMB-CABLE1



Step 4: Install the Display box assembly and Electrical box assembly:



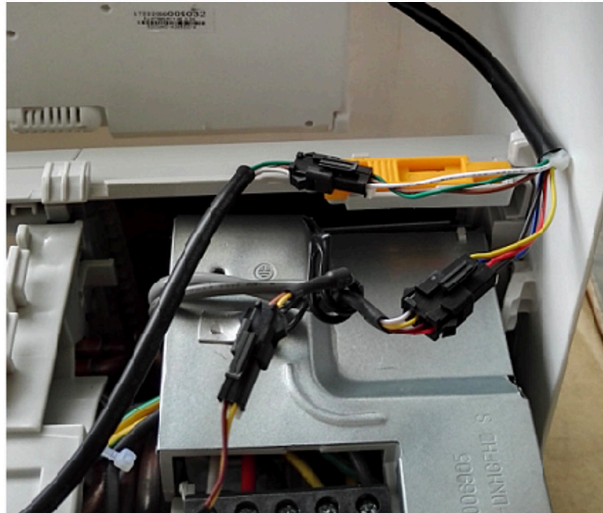
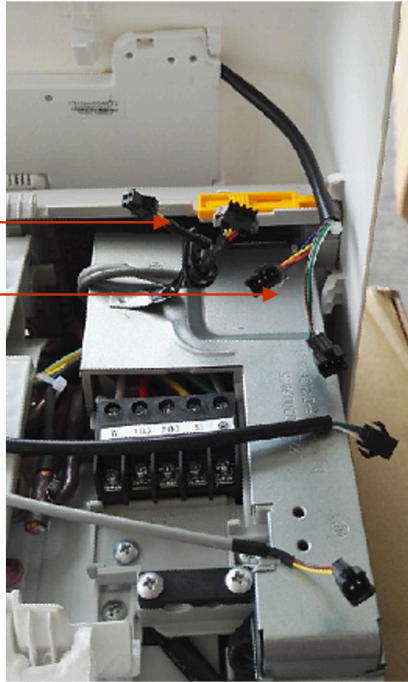
Step 5: Install the Support and Multi-function box:



Step 6: Connect all the cables, as the point 1.B shows:

FRIMB-CABLE2

FRIMB-CABLE1



Step 7: Neaten all the cables to finish the installation.



2. Additional notes

Notes:

1 - Multi function board is compatible with wifi function and basic 4-wired controller at the same time, because wifi port and wired controller ports are connected to different sockets on the display board.

2 – Wall controller and centralized controller can not work at the same time.

3 - Wall controller compatible: KC – 03.2 SPS



Kaysun
by frigicoll

MAIN OFFICE

Blasco de Garay, 4-6
08960 Sant Just Desvern
(Barcelona)
Tel. +34 93 480 33 22
<http://www.frigicoll.es/>
<http://www.kaysun.es/en/>

MADRID

Senda Galiana, 1
Poligono Industrial Coslada
Coslada (Madrid)
Tel. +34 91 669 97 01
Fax. +34 91 674 21 00
madrid@frigicoll.es