

FRIAHUKZ-LCAC-01

PRODUCT SHEET



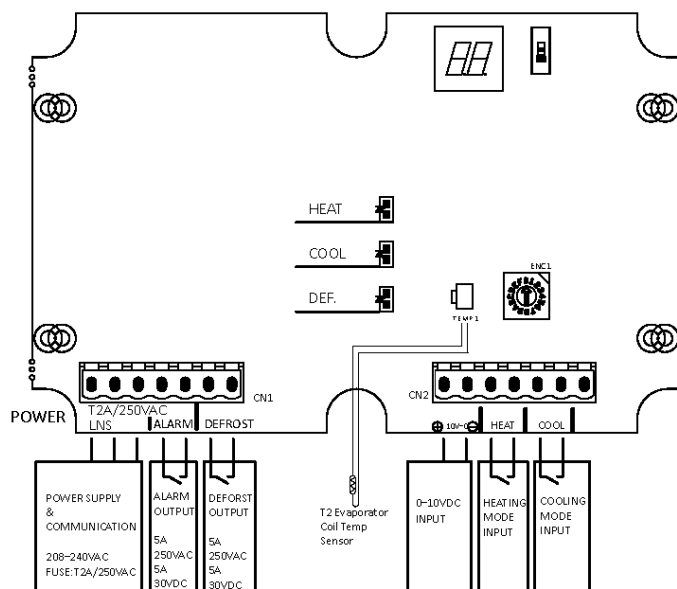
Product certified by:



FEATURES

Model		FRIAHUKZ-LCAC-01
Cooling capacity		2,0 kW / 16 kW
Net weight		0,35 kg
Power supply		220-240 V / 1 / 50 Hz
Power wiring		3x1,5 mm ²
Shielded communication wiring		With communication
Digital control signals	Maximum voltage	250 VAC / 48 VDC
	Maximum current	100 maAC/ 50 mADC
Analogue control signals	Maximum voltage	0-10 VDC (max. 12V DC)
	Maximum current	1 mA
Outdoor temperature for cooling		-15°C ~ 50°C
Outdoor temperature for heating		-15°C ~ 24°C

WIRING DIAGRAM



NOTES:

- (1) The data and specifications present in this sheet may vary without notice.
- (2) The images on this sheet are indicative and may be different from the final machine.

DIMENSIONS

