


# Outdoor units

## Multisystem

### PRODUCT SHEET



Product certified by: 



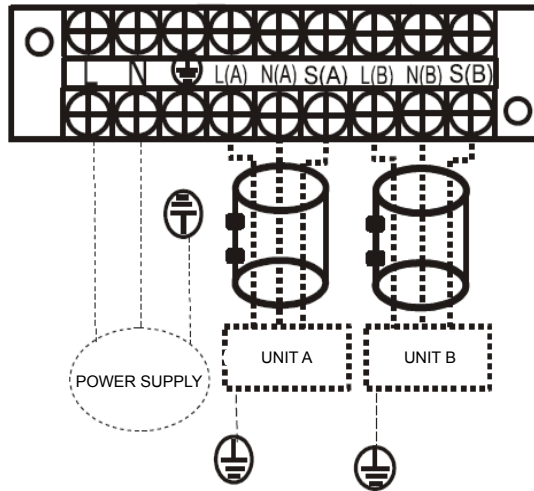
## FEATURES

Model	KAM2-42 DR8
Max. indoor units	2
Cooling capacity	4,10 kW
Cooling power input	1,27 kW
Heating capacity	4,39 kW
Heating power input	1,20 kW
Airflow	2.200 m <sup>3</sup> /h
Sound pressure	57 dB(A)
Power supply	220-240 V / 1 / 50 Hz
Power wiring (outdoor)	(2+T)x2,50 mm <sup>2</sup>
Communication wiring	(3+T)x2,50 mm <sup>2</sup>
Max. input	12 A
Refrigerating pipes	2x Ø1/4" / 2x Ø3/8"
Refrigerant charge / Additional charge	0,90 kg / 0,012 kg
Max. pipe length	40 m
Max. pipe length (1 indoor unit)	25 m
Height difference between indoor and outdoor units	15 m
Height difference between indoor units	10 m

NOTES:

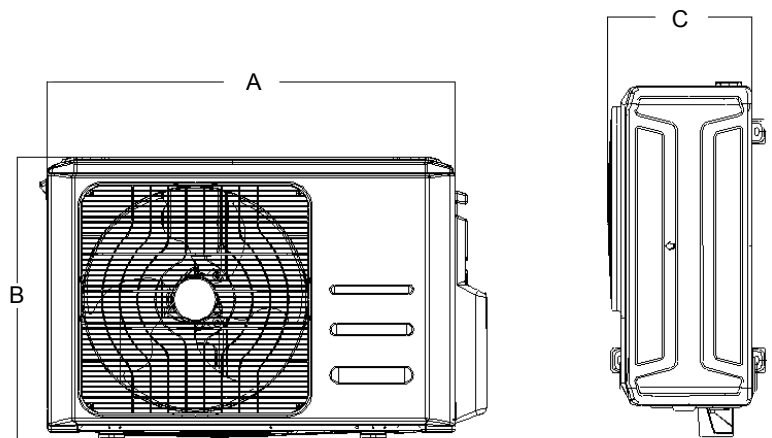
(1) The data and specifications present in this sheet may vary without notice.  
 (2) The images on this sheet are indicative and may be different from the final machine.

## WIRING DIAGRAM

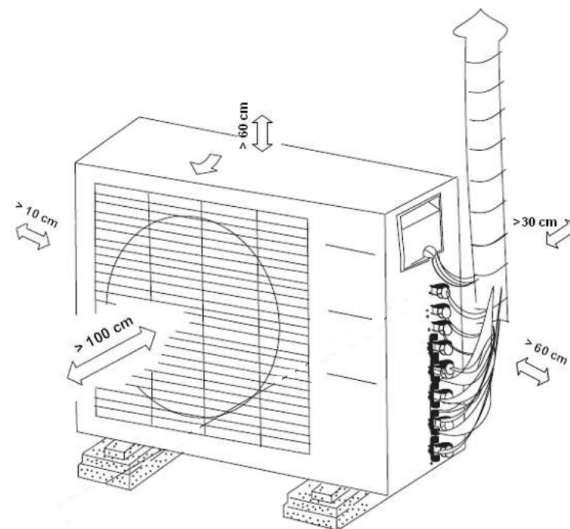


## DIMENSIONS & WEIGHT OF OUTDOOR UNIT

Model	KAM2-42 DR8
A	800 mm
B	554 mm
C	333 mm
Weight	31,60 kg



## INSTALLATION




# Outdoor units

## Multisystem

# PRODUCT SHEET



Product certified by: 



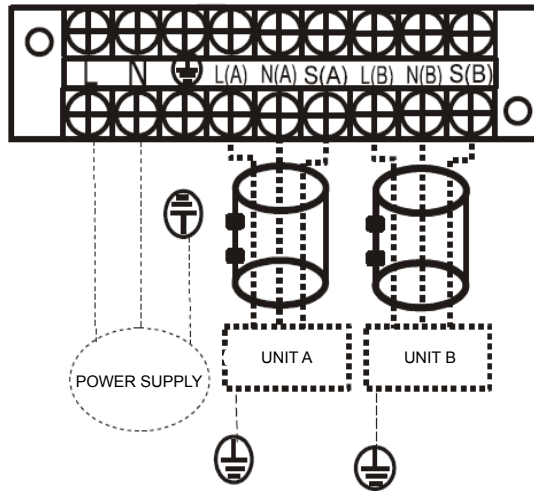
## FEATURES

Model	KAM2-52 DR8
Max. indoor units	2
Cooling capacity	5,28 kW
Cooling power input	1,63 kW
Heating capacity	5,57 kW
Heating power input	1,50 kW
Airflow	2.200 m <sup>3</sup> /h
Sound pressure	56 dB(A)
Power supply	220-240 V / 1 / 50 Hz
Power wiring (outdoor)	(2+T)x2,50 mm <sup>2</sup>
Communication wiring	(3+T)x2,50 mm <sup>2</sup>
Max. input	13 A
Refrigerating pipes	2x Ø1/4" / 2x Ø3/8"
Refrigerant charge / Additional charge	1,25 kg / 0,012 kg
Max. pipe length	40 m
Max. pipe length (1 indoor unit)	25 m
Height difference between indoor and outdoor units	15 m
Height difference between indoor units	10 m

NOTES:

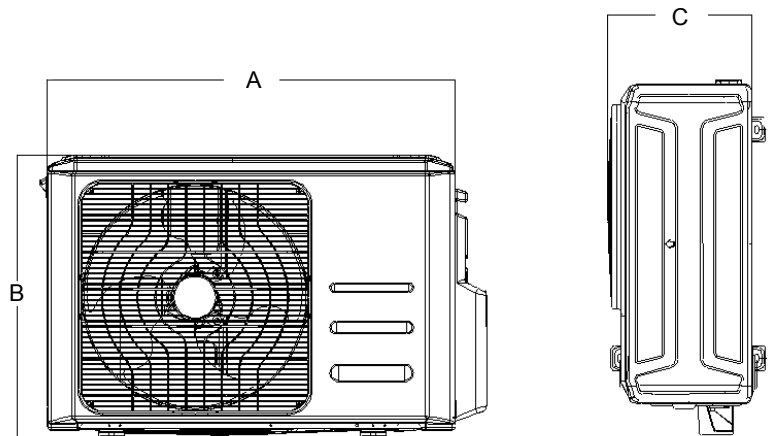
(1) The data and specifications present in this sheet may vary without notice.  
 (2) The images on this sheet are indicative and may be different from the final machine.

## WIRING DIAGRAM

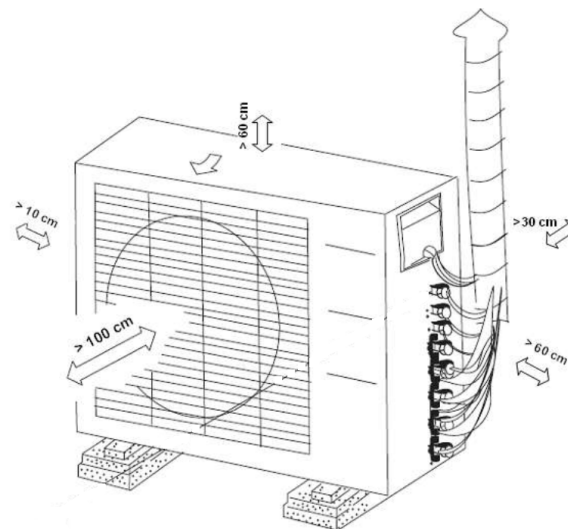


## DIMENSIONS & WEIGHT OF OUTDOOR UNIT

Model	KAM2-52 DR8
A	800 mm
B	554 mm
C	333 mm
Weight	35,50 kg



## INSTALLATION




# Outdoor units

## Multisystem

### PRODUCT SHEET



Product certified by: 



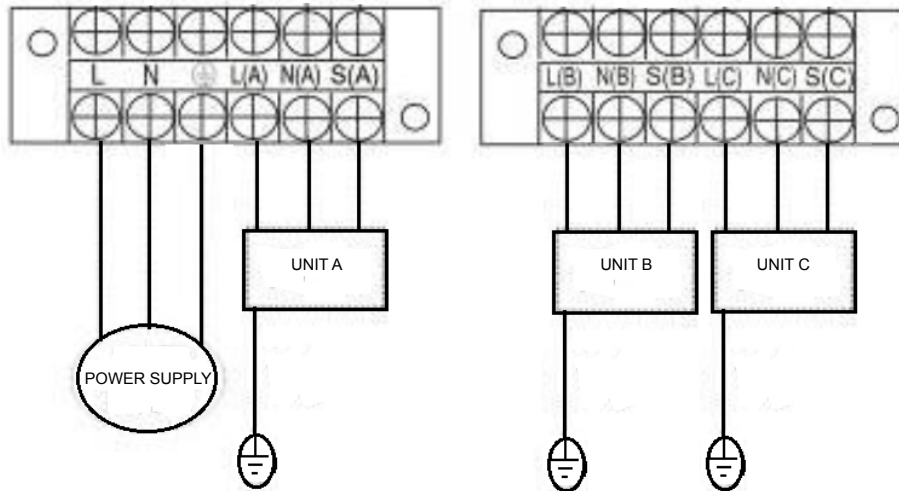
## FEATURES

Model	KAM3-62 DR8
Max. indoor units	3
Cooling capacity	6,15 kW
Cooling power input	1,90 kW
Heating capacity	6,59 kW
Heating power input	1,77 kW
Airflow	3.000 m <sup>3</sup> /h
Sound pressure	57,50 dB(A)
Power supply	220-240 V / 1 / 50 Hz
Power wiring (outdoor)	(2+T)x2,50 mm <sup>2</sup>
Communication wiring	(3+T)x2,50 mm <sup>2</sup>
Max. input	15 A
Refrigerating pipes	3x Ø1/4" / 3x Ø3/8"
Refrigerant charge / Additional charge	1,40 kg / 0,012 kg
Max. pipe length	60 m
Max. pipe length (1 indoor unit)	30 m
Height difference between indoor and outdoor units	15 m
Height difference between indoor units	10 m

NOTES:

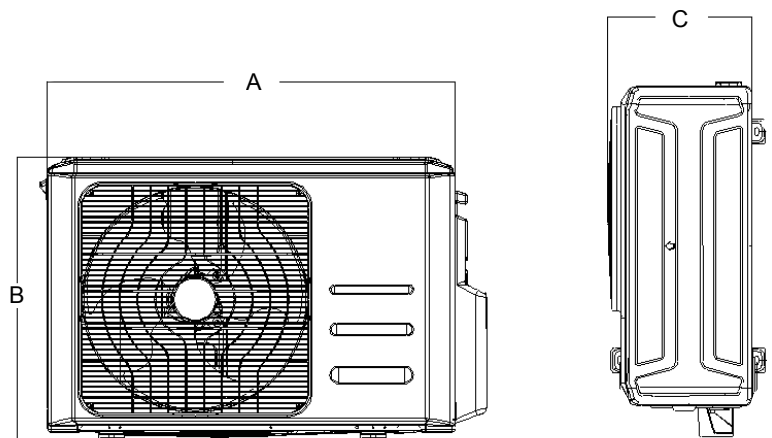
(1) The data and specifications present in this sheet may vary without notice.  
 (2) The images on this sheet are indicative and may be different from the final machine.

## WIRING DIAGRAM

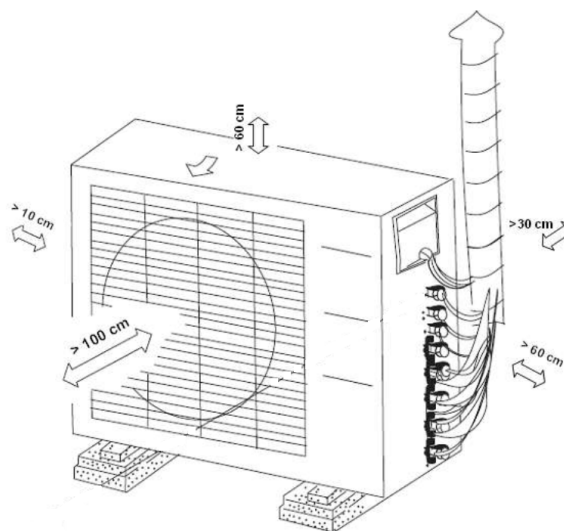


## DIMENSIONS & WEIGHT OF OUTDOOR UNIT

Model	KAM3-62 DR8
A	845 mm
B	702 mm
C	363 mm
Weight	46,80 kg



## INSTALLATION




# Outdoor units

## Multisystem

# PRODUCT SHEET



Product certified by: 



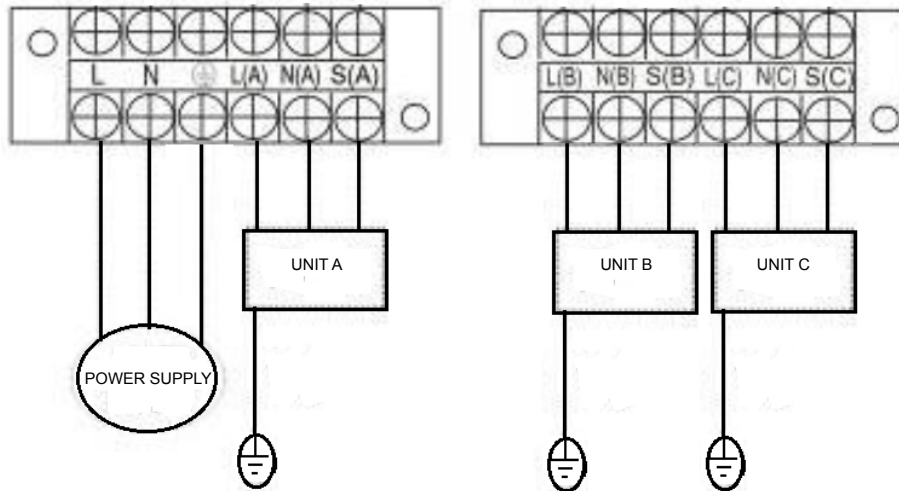
## FEATURES

Model	KAM3-78 DR8
Max. indoor units	3
Cooling capacity	7,91 kW
Cooling power input	2,45 kW
Heating capacity	8,21 kW
Heating power input	2,20 kW
Airflow	2.700 m <sup>3</sup> /h
Sound pressure	54 dB(A)
Power supply	220-240 V / 1 / 50 Hz
Power wiring (outdoor)	(2+T)x4 mm <sup>2</sup>
Communication wiring	(3+T)x2,50 mm <sup>2</sup>
Max. input	17,50 A
Refrigerating pipes	3x Ø1/4" / 3x Ø3/8"
Refrigerant charge / Additional charge	1,72 kg / 0,012 kg
Max. pipe length	60 m
Max. pipe length (1 indoor unit)	30 m
Height difference between indoor and outdoor units	15 m
Height difference between indoor units	10 m

NOTES:

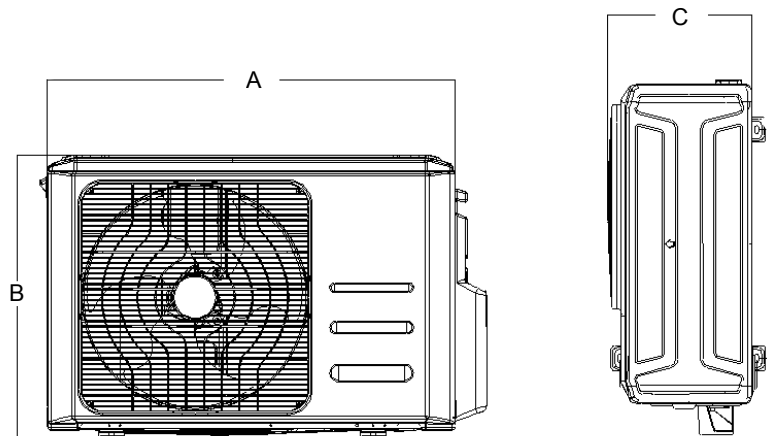
(1) The data and specifications present in this sheet may vary without notice.  
 (2) The images on this sheet are indicative and may be different from the final machine.

## WIRING DIAGRAM

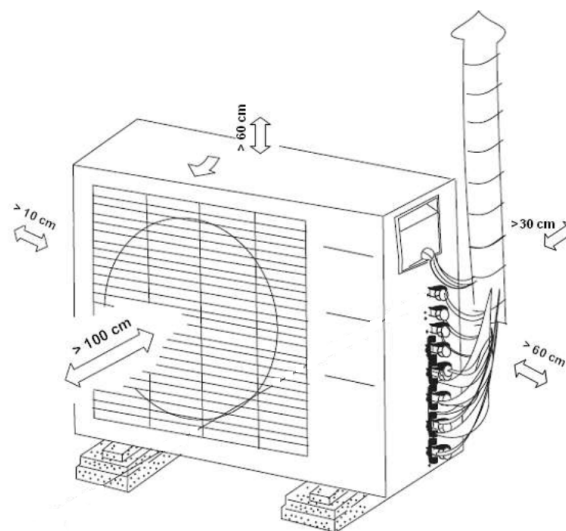


## DIMENSIONS & WEIGHT OF OUTDOOR UNIT

Model	KAM3-78 DR8
A	845 mm
B	702 mm
C	363 mm
Weight	53 kg



## INSTALLATION






# Outdoor units

## Multisystem

# PRODUCT SHEET



Product certified by: 



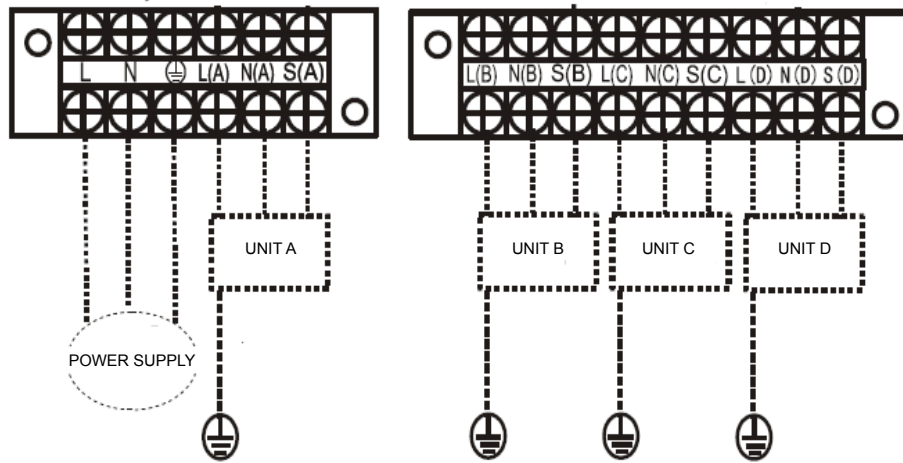
## FEATURES

Model	KAM4-80 DR7
Max. indoor units	4
Cooling capacity	8,20 kW
Cooling power input	2,50 kW
Heating capacity	8,79 kW
Heating power input	2,40 kW
Airflow	3.800 m <sup>3</sup> /h
Sound pressure	61 dB(A)
Power supply	220-240 V / 1 / 50 Hz
Power wiring (outdoor)	(2+T)x4 mm <sup>2</sup>
Communication wiring	(3+T)x2,50 mm <sup>2</sup>
Max. input	19 A
Refrigerating pipes	4x Ø1/4" / 3x Ø3/8" + 1x Ø1/2"
Refrigerant charge / Additional charge	2,10 kg / 0,012 kg
Max. pipe length	80 m
Max. pipe length (1 indoor unit)	35 m
Height difference between indoor and outdoor units	15 m
Height difference between indoor units	10 m

NOTES:

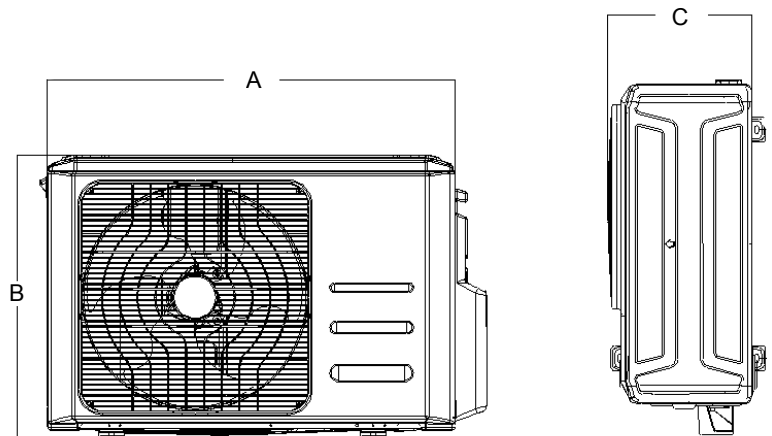
(1) The data and specifications present in this sheet may vary without notice.  
 (2) The images on this sheet are indicative and may be different from the final machine.

## WIRING DIAGRAM

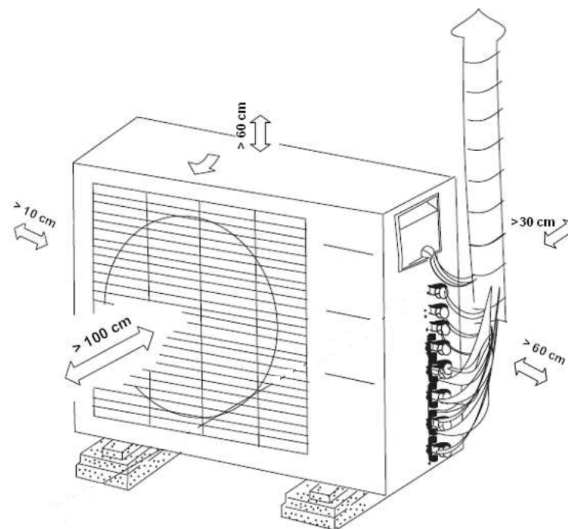


## DIMENSIONS & WEIGHT OF OUTDOOR UNIT

Model	KAM4-80 DR7
A	946 mm
B	810 mm
C	410 mm
Weight	62,10 kg



## INSTALLATION




# Outdoor units

## Multisystem

# PRODUCT SHEET



Product certified by: 



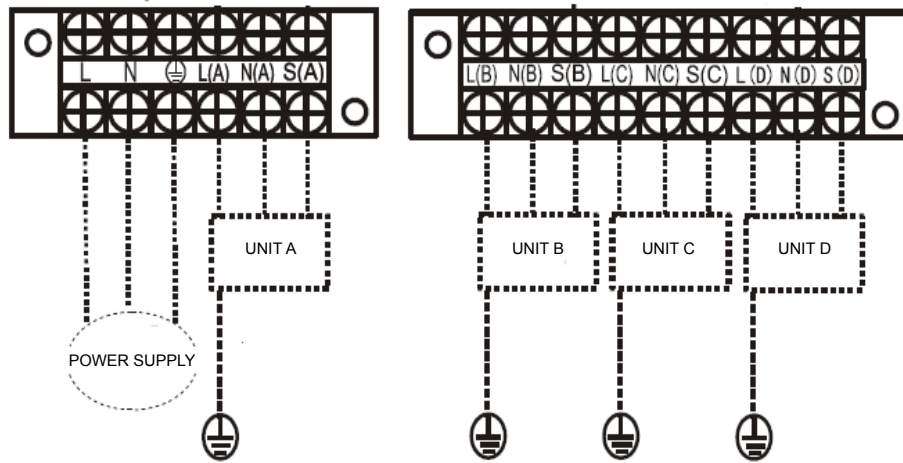
## FEATURES

Model	KAM4-105 DR7
Max. indoor units	4
Cooling capacity	10,55 kW
Cooling power input	3,26 kW
Heating capacity	11,14 kW
Heating power input	2,84 kW
Airflow	4.000 m <sup>3</sup> /h
Sound pressure	63 dB(A)
Power supply	220-240 V / 1 / 50 Hz
Power wiring (outdoor)	(2+T)x6 mm <sup>2</sup>
Communication wiring	(3+T)x2,50 mm <sup>2</sup>
Max. input	21,50 A
Refrigerating pipes	4x Ø1/4" / 3x Ø3/8" + 1x Ø1/2"
Refrigerant charge / Additional charge	2,10 kg / 0,012 kg
Max. pipe length	80 m
Max. pipe length (1 indoor unit)	35 m
Height difference between indoor and outdoor units	15 m
Height difference between indoor units	10 m

NOTES:

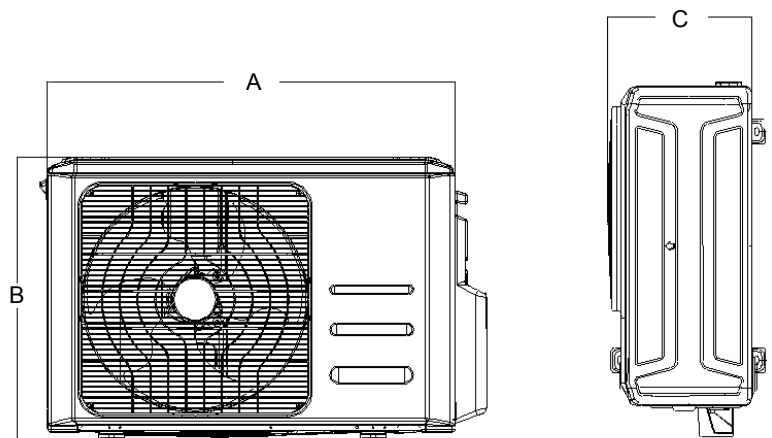
(1) The data and specifications present in this sheet may vary without notice.  
 (2) The images on this sheet are indicative and may be different from the final machine.

## WIRING DIAGRAM

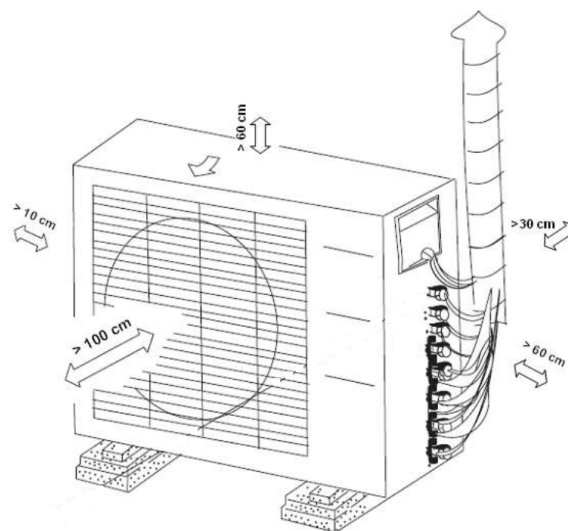


## DIMENSIONS & WEIGHT OF OUTDOOR UNIT

Model	KAM4-105 DR7
A	946 mm
B	810 mm
C	410 mm
Weight	68,80 kg



## INSTALLATION




# Outdoor units

## Multisystem

# PRODUCT SHEET



Product certified by: 



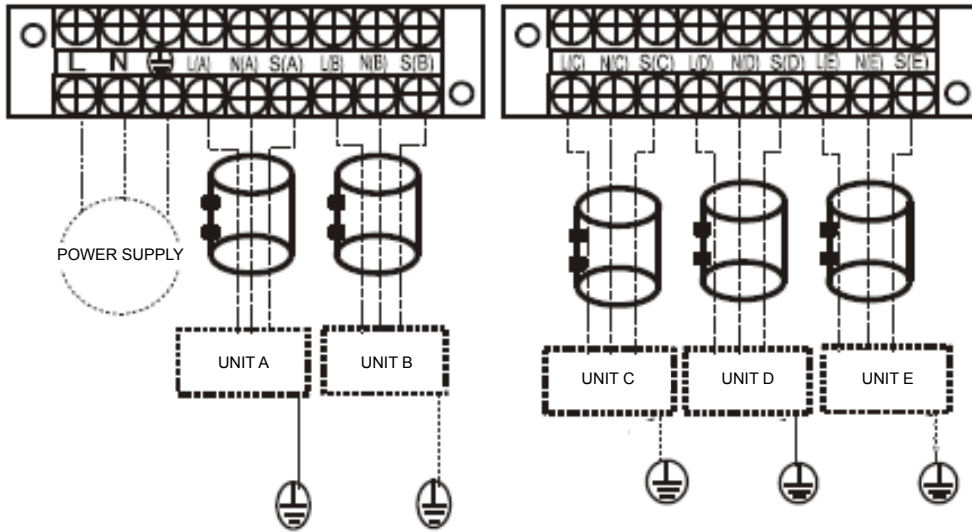
## FEATURES

Model	KAM5-120 DR8
Max. indoor units	5
Cooling capacity	12,31 kW
Cooling power input	3,80 kW
Heating capacity	12,60 kW
Heating power input	3,30 kW
Airflow	3.850 m <sup>3</sup> /h
Sound pressure	61,5 dB(A)
Power supply	220-240 V / 1 / 50 Hz
Power wiring (outdoor)	(2+T)x6 mm <sup>2</sup>
Communication wiring	(3+T)x2,50 mm <sup>2</sup>
Max. input	22 A
Refrigerating pipes	5x Ø1/4" / 4x Ø3/8" + 1x Ø1/2"
Refrigerant charge / Additional charge	2,90 kg / 0,012 kg
Max. pipe length	80 m
Max. pipe length (1 indoor unit)	35 m
Height difference between indoor and outdoor units	15 m
Height difference between indoor units	10 m

NOTES:

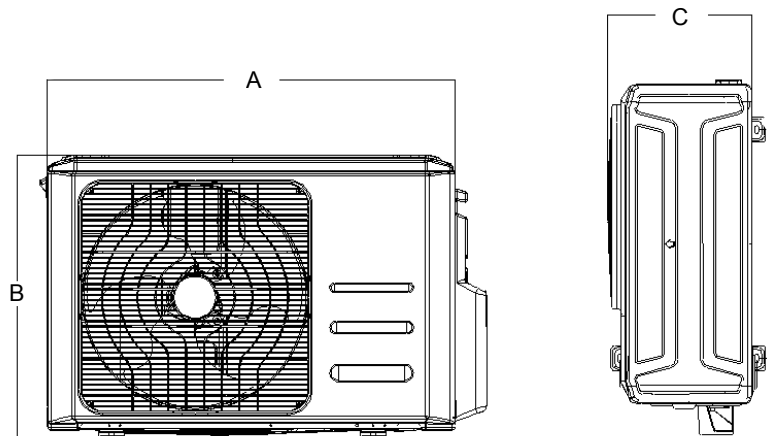
(1) The data and specifications present in this sheet may vary without notice.  
 (2) The images on this sheet are indicative and may be different from the final machine.

## WIRING DIAGRAM



## DIMENSIONS & WEIGHT OF OUTDOOR UNIT

Model	KAM5-120 DR8
A	946 mm
B	810 mm
C	410 mm
Weight	74,10 kg



## INSTALLATION

