



# Aquantia KHPMS-BI PRO

## Bibloc Wall-Mounted Set

### PRODUCT SHEET



Product certified by:  



## FEATURES

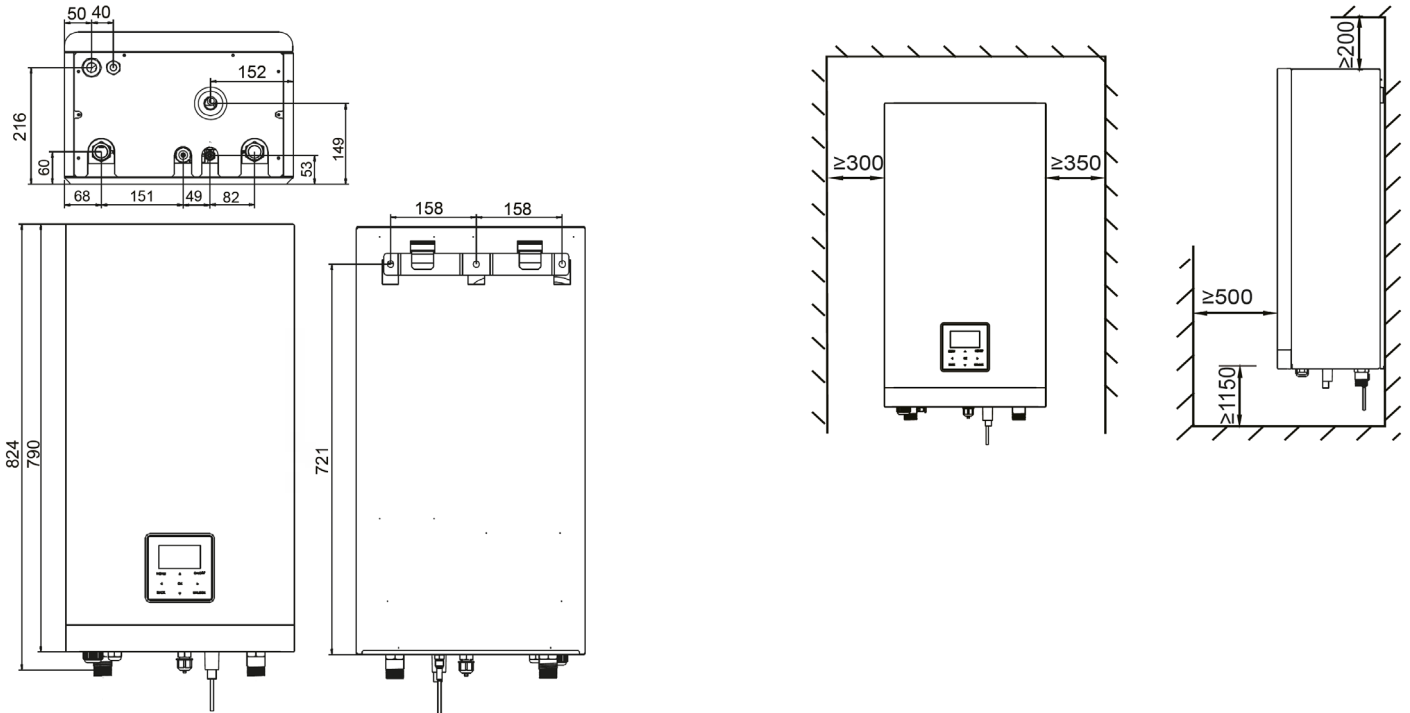
| Model   | Set                                       |                 | KHPMS-BI 14 DTR PRO         |
|---|---|-----------------|-----------------------------|
|   | Indoor unit                               |                 | KHPM-BI 16 DVR2             |
|   | Outdoor unit                              |                 | KHP-BI 14 DTR2              |
| Outdoor unit                                      | Net / Gross weight                        |                 | 116 kg / 129,5 kg           |
|   | Drain connection                          |                 | DN32 mm                     |
|   | Sound power                               |                 | 65 dB(A)                    |
|   | Power supply                              |                 | 380-415 V / 3 / 50 Hz       |
|   | Max. intensity                            |                 | 14,0 A                      |
|   | Recommended fuse                          |                 | D16 A                       |
|   | Refrigerant / Refrigerant charge          |                 | R-32 / 1,84 kg              |
|   | Additional refrigerant charge (from 15 m) |                 | 38,0 g/m                    |
|   | Liquid / gas pipe diameter (OD)           |                 | Ø9,52 mm / Ø15,9 mm         |
|   | Max. vertical / total distance            |                 | 20 m / 30 m                 |
| Indoor unit                                       | Net / Gross curb weight                   |                 | 39,0 kg / 45,0 kg           |
|   | Connections diameter                      |                 | R1"                         |
|   | Drain connection                          |                 | DN25 mm                     |
|   | Expansion vessel included                 |                 | 8,0 L                       |
|   | Max. pump available pressure              |                 | 8,0 m                       |
|   | Sound power                               |                 | 43 dB(A)                    |
|   | Power supply                              |                 | 220-240 V / 1 / 50 Hz       |
|   | Max. intensity                            |                 | 14,30 A                     |
|   | Recommended fuse                          |                 | C16 A                       |
|   | Backup electrical resistance              |                 | 3,0 kW                      |
|   | Rated water flow                          |                 | 2,5 m <sup>3</sup> /h       |
|   | Water flow range                          |                 | 0,7 ~ 3,0 m <sup>3</sup> /h |
| DHW tank (not included)                           | Minimum DHW coil area                     | Stainless       | 1,6 m <sup>2</sup>          |
|   |   | Enamelled steel | 2,5 m <sup>2</sup>          |
|   | Recommended tank capacity                 |                 | 200 L ~ 500 L               |
|   | Recommended model                         |                 | <b>BSX270 / BSX2475</b>     |
| Max. tank installation distance from the hydrobox |   | 5 m             |                             |
| Water outlet temperature                          | Heating & DHW                             |                 | +25 ~ +65 °C                |
|   | Cooling                                   |                 | +5 ~ +25 °C                 |
| Operating range                                   | Heating                                   |                 | -25 ~ +35 °C                |
|   | DHW                                       |                 | -25 ~ +43 °C                |
|   | Cooling                                   |                 | -5 ~ +43 °C                 |

NOTES:

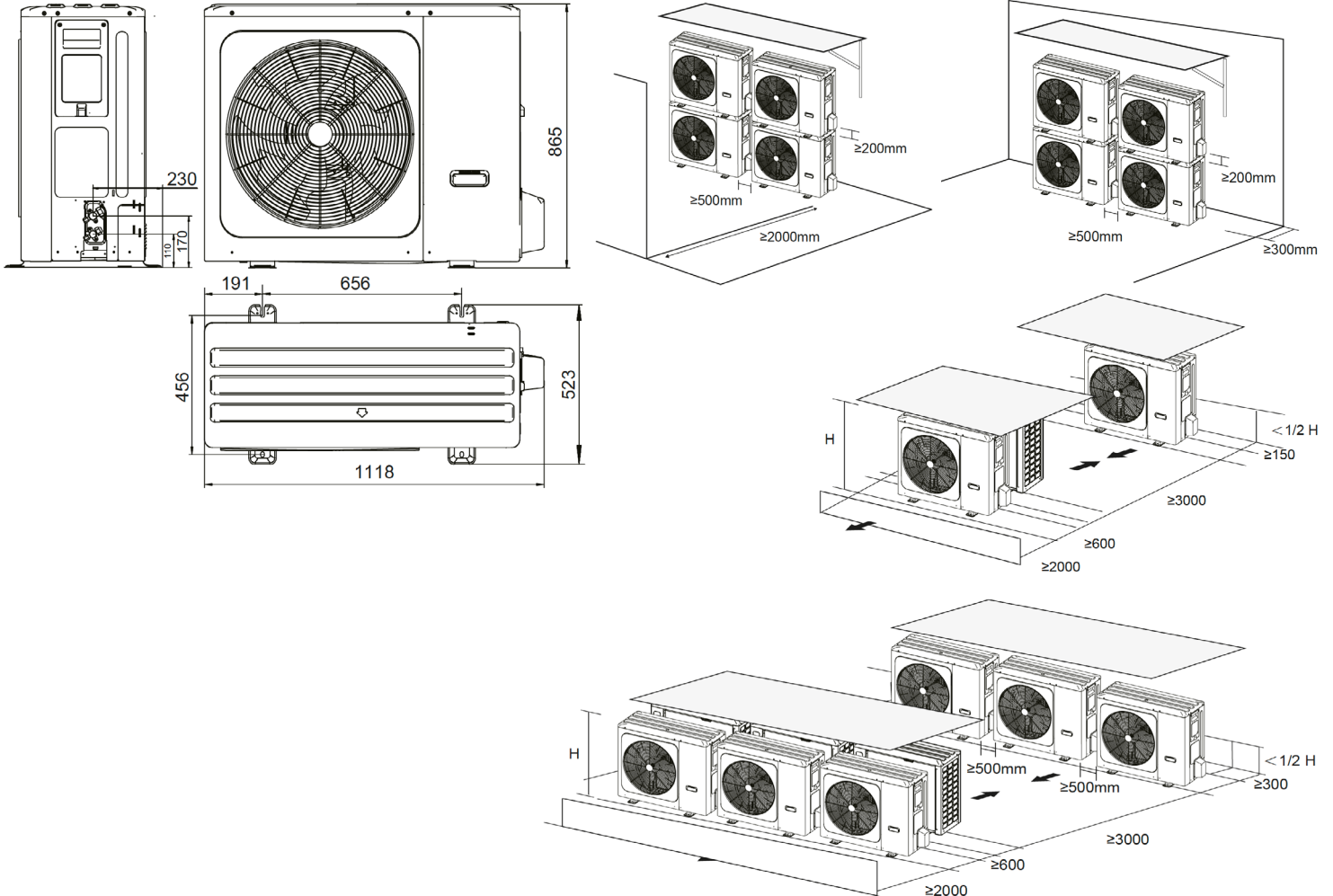
(1) The data and specifications present in this sheet may vary without notice.

(2) The images on this sheet are indicative and may be different from the final machine.

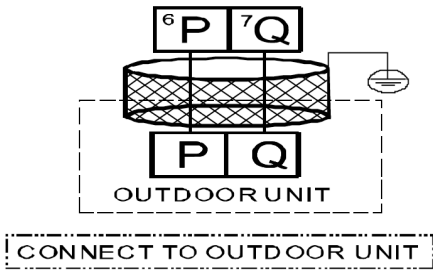
## INDOOR UNIT DIMENSIONS & INSTALLATION DISTANCES



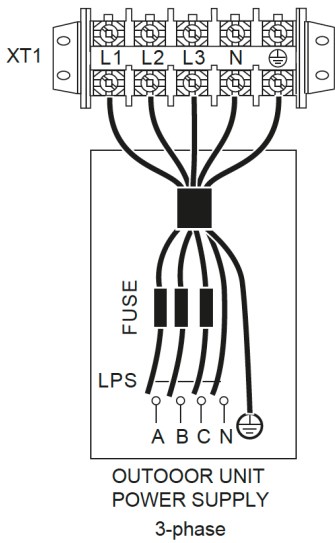
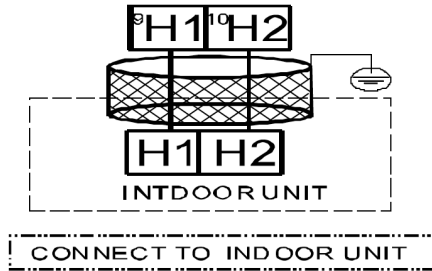
## OUTDOOR UNIT DIMENSIONS & INSTALLATION DISTANCES



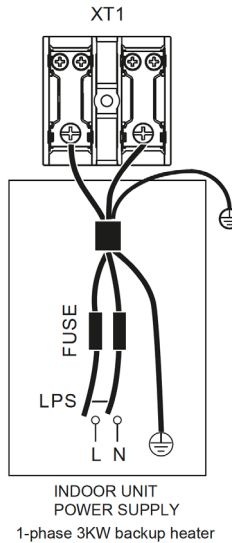
## ELECTRICAL CONNECTION



### Internal machine parallel



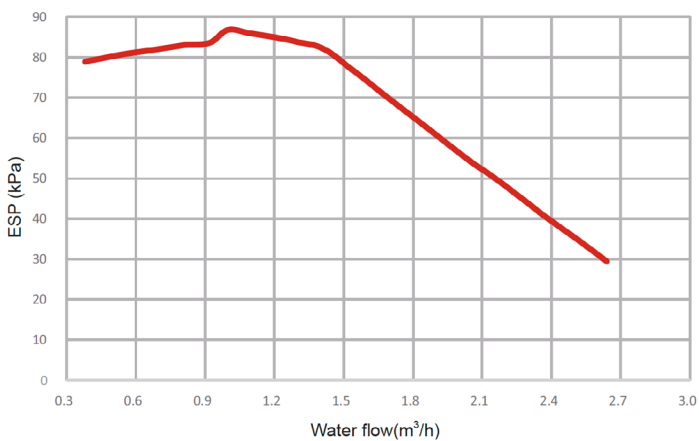
|                                      |                     |
|--------------------------------------|---------------------|
| <b>Unit</b>                          | <b>14 kW 3-PH</b>   |
| Max. overcurrent protector (MOP) (A) | 14 A                |
| Wiring size (mm <sup>2</sup> )       | 2,5 mm <sup>2</sup> |



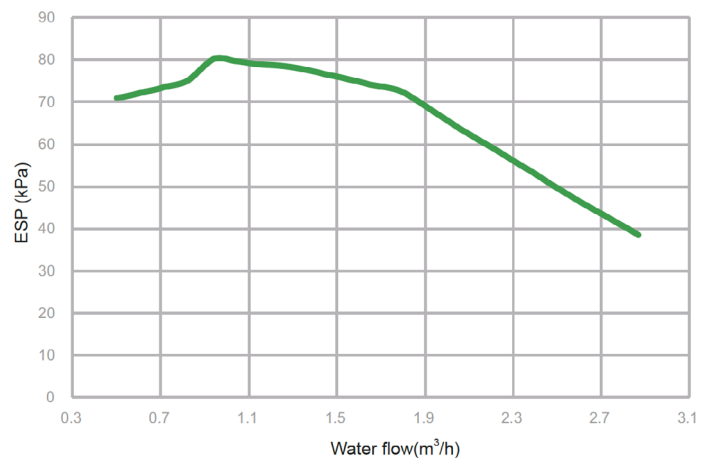
|             |                    |
|-------------|--------------------|
| <b>Unit</b> | <b>3 kW - 1 PH</b> |
| Wiring size | 4 mm <sup>2</sup>  |

## PUMP CURVE

HB-A60(100)/CGN8-B hydronic performance



HB-A160/CGN8-B hydronic performance



## SOUND PRESSURE

|                            | <b>Sound pressure<br/>Outdoor unit dB(A)</b> | <b>Sound pressure<br/>Indoor unit dB(A)</b> |
|----------------------------|--|---|
| <b>KHPMS-BI 14 DTR PRO</b> | 51 (380V)                                    | 32  |

# Aquantia KHPMS-BI PRO

## Bibloc Wall-Mounted Set

### PRODUCT SHEET



Product certified by:



## FEATURES

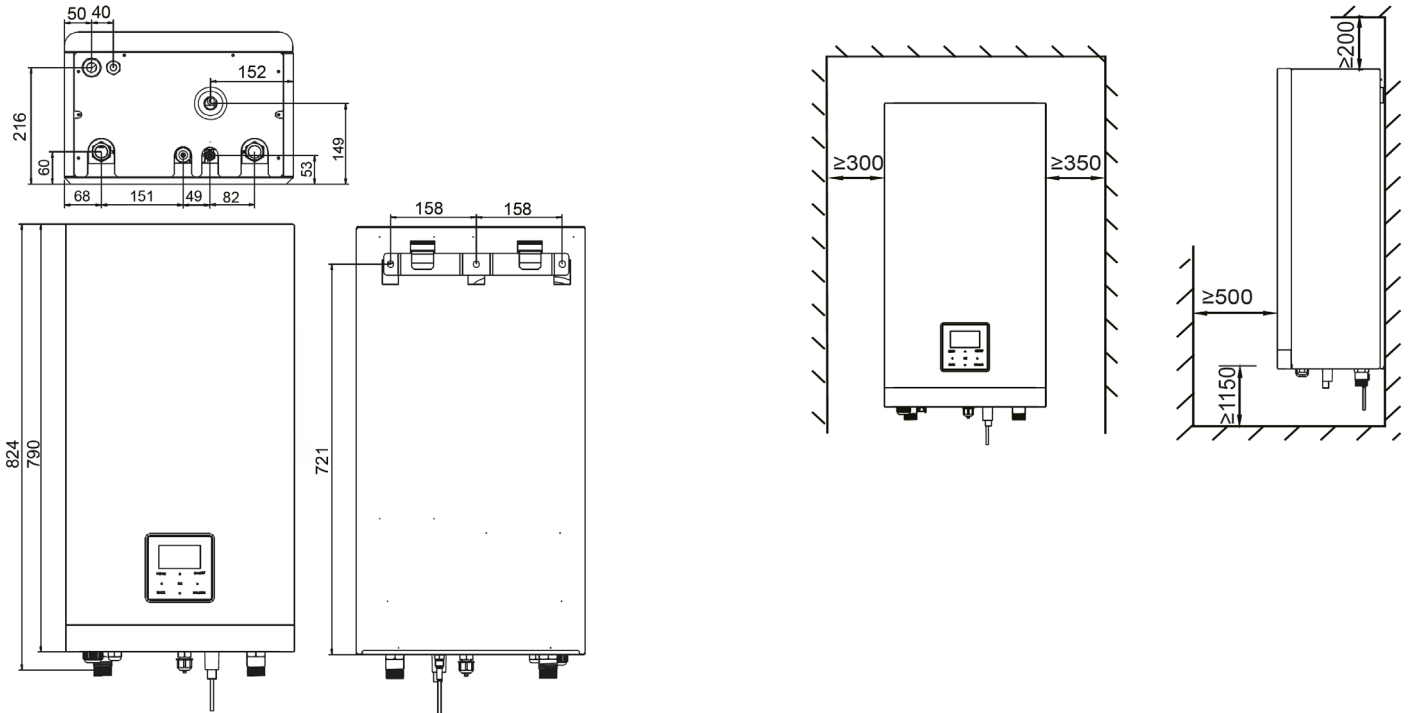
| Model   | Set                                       |                 | KHPMS-BI 16 DTR PRO         |
|---|---|-----------------|-----------------------------|
|   | Indoor unit                               |                 | KHPM-BI 16 DVR2             |
|   | Outdoor unit                              |                 | KHP-BI 16 DTR2              |
| Outdoor unit                                      | Net / Gross weight                        |                 | 116 kg / 129,5 kg           |
|   | Drain connection                          |                 | DN32 mm                     |
|   | Sound power                               |                 | 68 dB(A)                    |
|   | Power supply                              |                 | 380-415 V / 3 / 50 Hz       |
|   | Max. intensity                            |                 | 14,0 A                      |
|   | Recommended fuse                          |                 | D16 A                       |
|   | Refrigerant / Refrigerant charge          |                 | R-32 / 1,84 kg              |
|   | Additional refrigerant charge (from 15 m) |                 | 38,0 g/m                    |
|   | Liquid / gas pipe diameter (OD)           |                 | Ø9,52 mm / Ø15,9 mm         |
|   | Max. vertical / total distance            |                 | 20 m / 30 m                 |
| Indoor unit                                       | Net / Gross curb weight                   |                 | 39,0 kg / 45,0 kg           |
|   | Connections diameter                      |                 | R1"                         |
|   | Drain connection                          |                 | DN25 mm                     |
|   | Expansion vessel included                 |                 | 8,0 L                       |
|   | Max. pump available pressure              |                 | 8,0 m                       |
|   | Sound power                               |                 | 43 dB(A)                    |
|   | Power supply                              |                 | 220-240 V / 1 / 50 Hz       |
|   | Max. intensity                            |                 | 14,30 A                     |
|   | Recommended fuse                          |                 | C16 A                       |
|   | Backup electrical resistance              |                 | 3,0 kW                      |
|   | Rated water flow                          |                 | 2,8 m <sup>3</sup> /h       |
|   | Water flow range                          |                 | 0,7 ~ 3,0 m <sup>3</sup> /h |
| DHW tank (not included)                           | Minimum DHW coil area                     | Stainless       | 1,6 m <sup>2</sup>          |
|   |   | Enamelled steel | 2,5 m <sup>2</sup>          |
|   | Recommended tank capacity                 |                 | 200 L ~ 500 L               |
|   | Recommended model                         |                 | <b>BSX270 / BSX2475</b>     |
| Max. tank installation distance from the hydrobox |   | 5 m             |                             |
| Water outlet temperature                          | Heating & DHW                             |                 | +25 ~ +65 °C                |
|   | Cooling                                   |                 | +5 ~ +25 °C                 |
| Operating range                                   | Heating                                   |                 | -25 ~ +35 °C                |
|   | DHW                                       |                 | -25 ~ +43 °C                |
|   | Cooling                                   |                 | -5 ~ +43 °C                 |

NOTES:

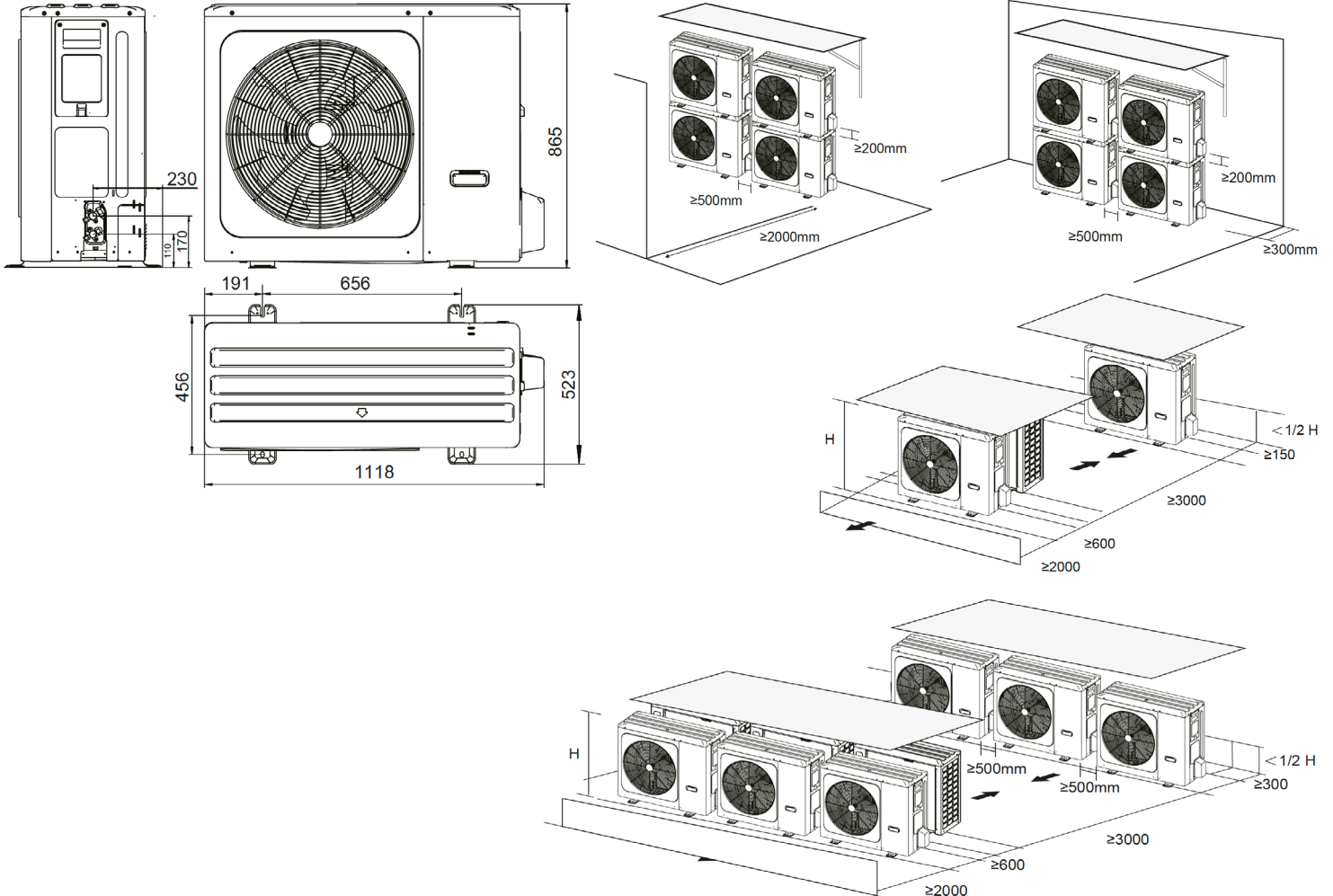
(1) The data and specifications present in this sheet may vary without notice.

(2) The images on this sheet are indicative and may be different from the final machine.

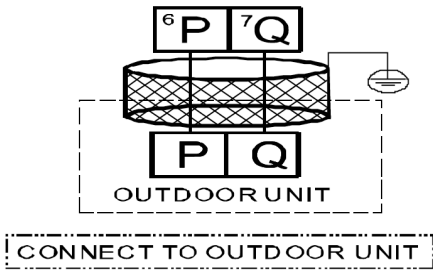
## INDOOR UNIT DIMENSIONS & INSTALLATION DISTANCES



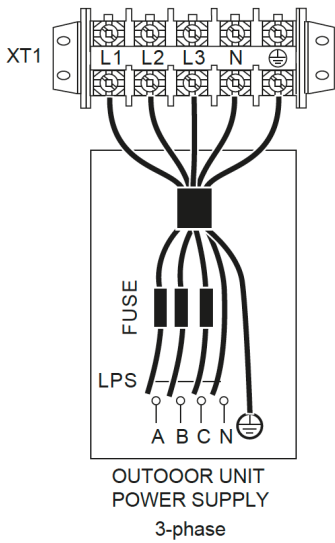
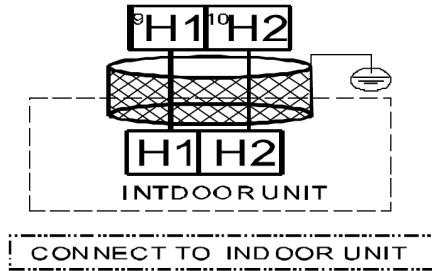
## OUTDOOR UNIT DIMENSIONS & INSTALLATION DISTANCES



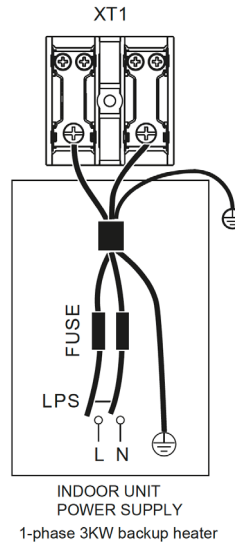
## ELECTRICAL CONNECTION



### Internal machine parallel



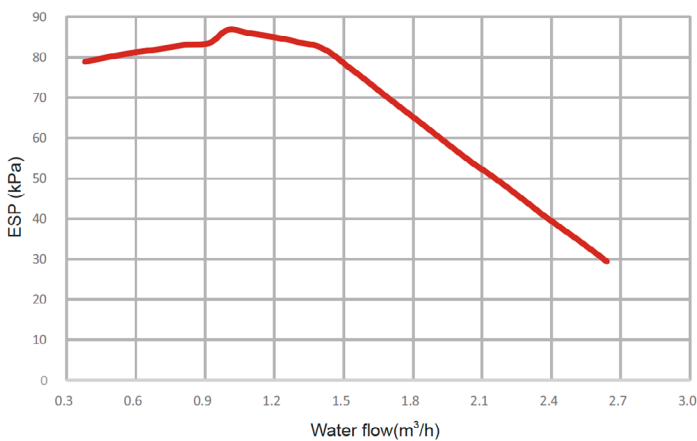
|                                      |                     |
|--------------------------------------|---------------------|
| <b>Unit</b>                          | <b>16 kW 3-PH</b>   |
| Max. overcurrent protector (MOP) (A) | 14 A                |
| Wiring size (mm <sup>2</sup> )       | 2,5 mm <sup>2</sup> |



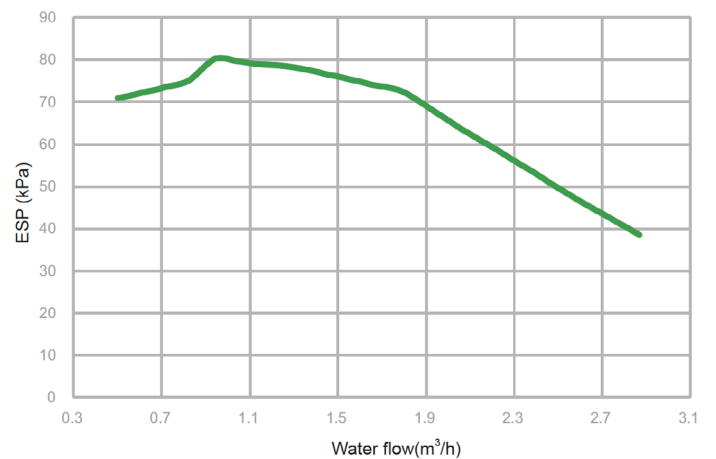
|             |                    |
|-------------|--------------------|
| <b>Unit</b> | <b>3 kW - 1 PH</b> |
| Wiring size | 4 mm <sup>2</sup>  |

## PUMP CURVE

HB-A60(100)/CGN8-B hydronic performance



HB-A160/CGN8-B hydronic performance



## SOUND PRESSURE

|                            | <b>Sound pressure<br/>Outdoor unit dB(A)</b> | <b>Sound pressure<br/>Indoor unit dB(A)</b> |
|----------------------------|--|---|
| <b>KHPMS-BI 16 DTR PRO</b> | 55 (380V)                                    | 32  |