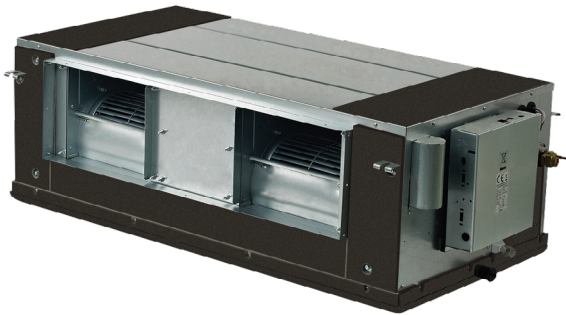


High Pressure Front Air Discharge


KPDHF-200F DN2

PRODUCT SHEET



KCT-03 SR
Standard controller



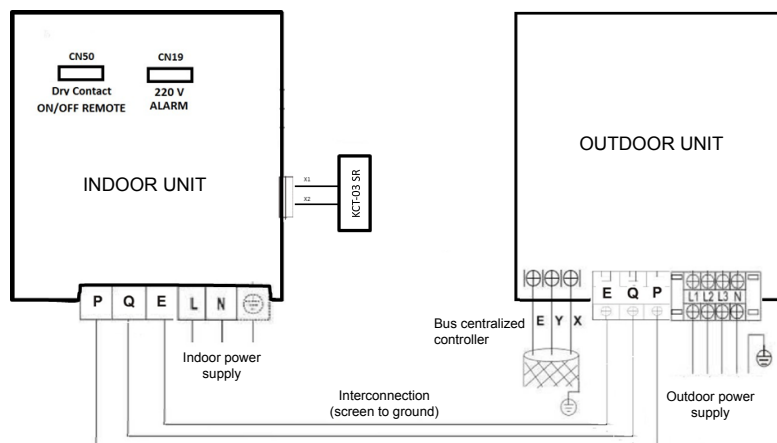
Product certified by: 



FEATURES

Model	KPDHF-200F DN2
Cooling capacity	20 kW
Cooling power input	4.900 W
Heating capacity	22,50 kW
Heating power input	6.590 W
Airflow (indoor)	3.745/3.837/3.941/4.043/4.144/4.237/4.358 m ³ /h
Max. static pressure	50/52/53/54/55/56/57 dB(A)
Sound pressure (indoor)	250 Pa
Airflow (outdoor)	9.000 m ³ /h
Sound pressure (outdoor)	58 dB(A)
Power supply (indoor)	220-240 V / 1 / 50 Hz
Power supply (outdoor)	380-415 V / 3 / 50 Hz
Power wiring (indoor)	(2+T)x4 mm ²
Power wiring (outdoor)	(4+T)x6 mm ²
Max. input	18 A
Com. bus shielded	3x0,75 mm ²

WIRING DIAGRAM



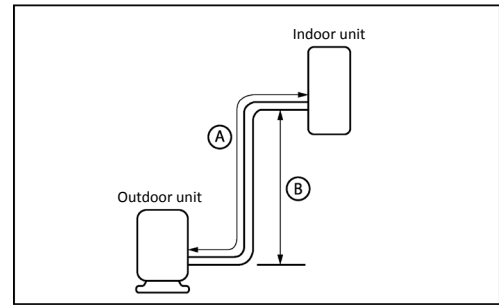
NOTES:

- (1) The data and specifications present in this sheet may vary without notice.
 (2) The images on this sheet are indicative and may be different from the final machine.

COOLING CONNECTION

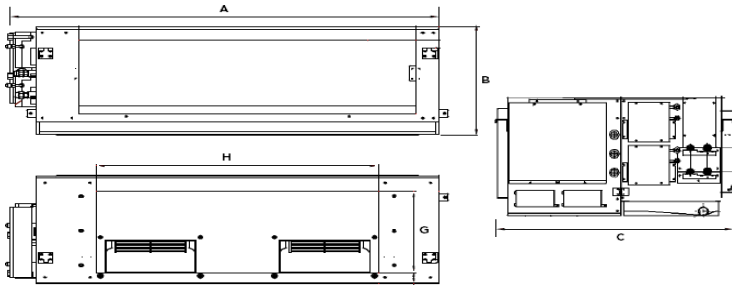
Model	
Refrigerating pipes	Ø3/8" / Ø3/4"
Refrigerant charge	6,50 kg
Indoor drain pipe	Ø32
Max. pipe length (A)	50 m
Max. level difference (B)	25 m

KPDHF-200F DN2



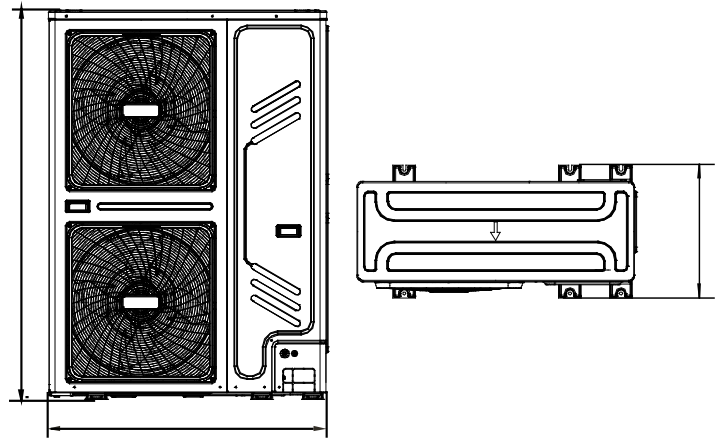
DIMENSIONS & WEIGHT INDOOR

Model	KPDHF-200 DN4.0
Width	1.440 mm
Height	505 mm
Depth	925 mm
Weight	130 kg

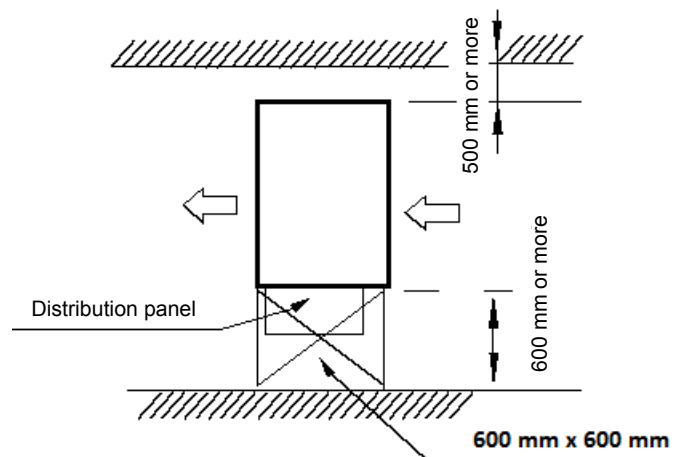
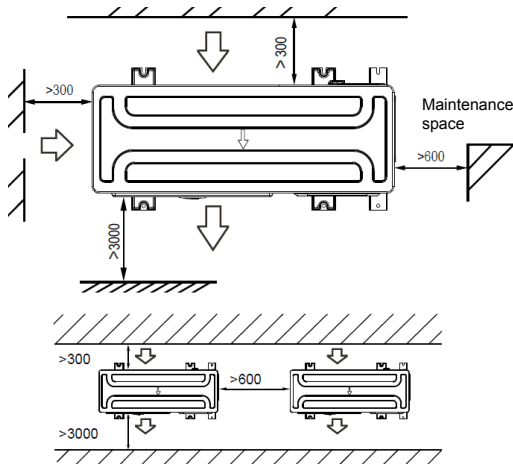


DIMENSIONS & WEIGHT OUTDOOR

Model	KMF-200 DN4
Width	1.120 mm
Height	1.558 mm
Depth	528 mm
Weight	143 kg



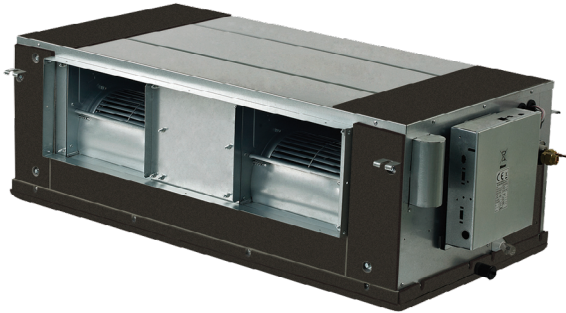
INSTALLATION



High Pressure Front Air Discharge


KPDHF-250F DN2

PRODUCT SHEET



KCT-03 SR
Standard controller



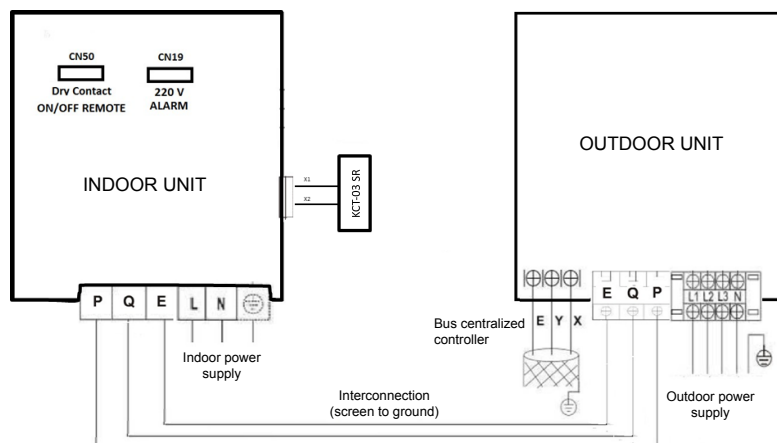
Product certified by: 



FEATURES

Model	KPDHF-250F DN2
Cooling capacity	26 kW
Cooling power input	6.830 W
Heating capacity	28,50 kW
Heating power input	6.670 W
Airflow (indoor)	3.745/3.837/3.941/4.043/4.144/4.237/4.358 m ³ /h
Max. static pressure	50/52/53/54/55/56/57 dB(A)
Sound pressure (indoor)	250 Pa
Airflow (outdoor)	10.000 m ³ /h
Sound pressure (outdoor)	59 dB(A)
Power supply (indoor)	220-240 V / 1 / 50 Hz
Power supply (outdoor)	380-415 V / 3 / 50 Hz
Power wiring (indoor)	(2+T)x4 mm ²
Power wiring (outdoor)	(4+T)x6 mm ²
Max. input	23 A
Com. bus shielded	3x0,75 mm ²

WIRING DIAGRAM



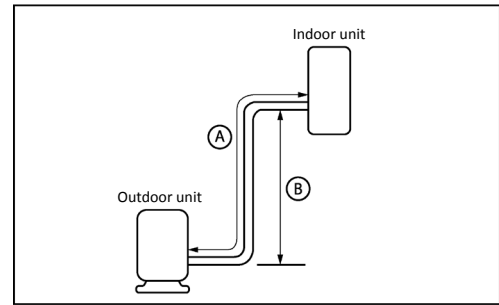
NOTES:

- (1) The data and specifications present in this sheet may vary without notice.
 (2) The images on this sheet are indicative and may be different from the final machine.

COOLING CONNECTION

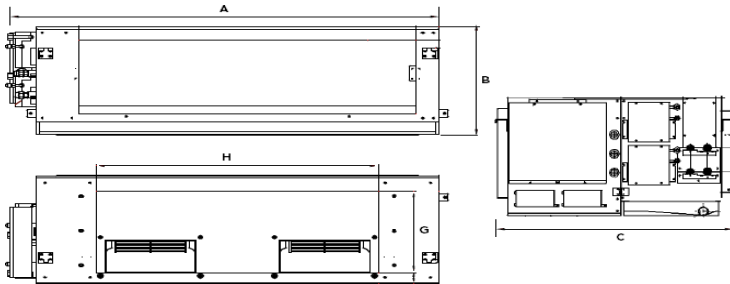
Model	
Refrigerating pipes	Ø3/8" / Ø7/8"
Refrigerant charge	6,50 kg
Indoor drain pipe	Ø32
Max. pipe length (A)	50 m
Max. level difference (B)	25 m

KPDHF-250F DN2



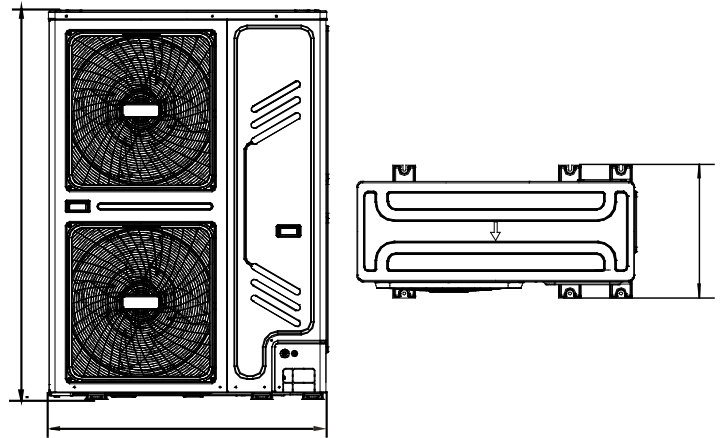
DIMENSIONS & WEIGHT INDOOR

Model	KPDHF-250 DN4.0
Width	1.440 mm
Height	505 mm
Depth	925 mm
Weight	130 kg

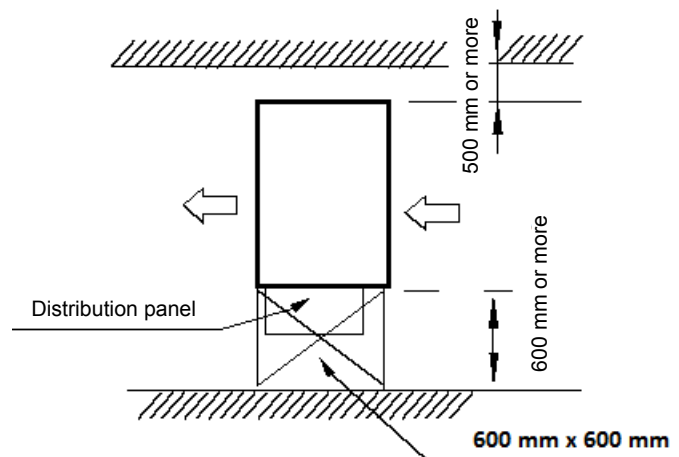
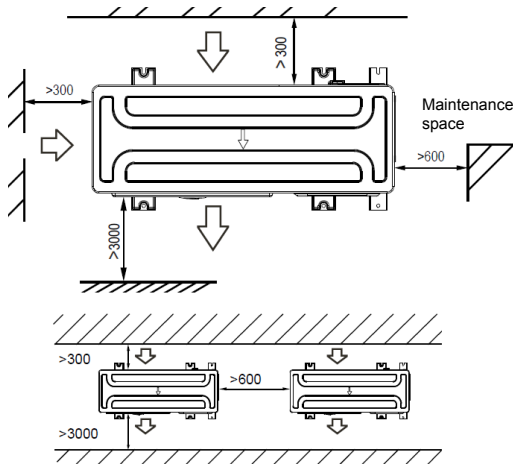


DIMENSIONS & WEIGHT OUTDOOR

Model	KMF-260 DN4
Width	1.120 mm
Height	1.558 mm
Depth	528 mm
Weight	143 kg



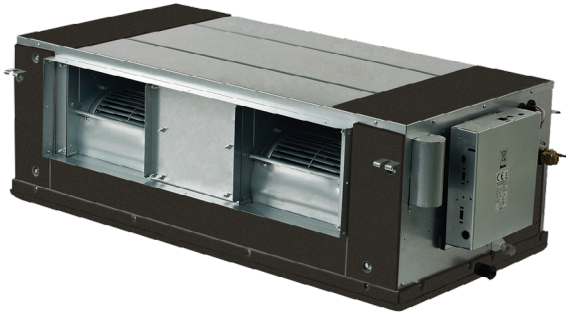
INSTALLATION



High Pressure Front Air Discharge


KPDHF-280F DN2

PRODUCT SHEET



KCT-03 SR
Standard controller



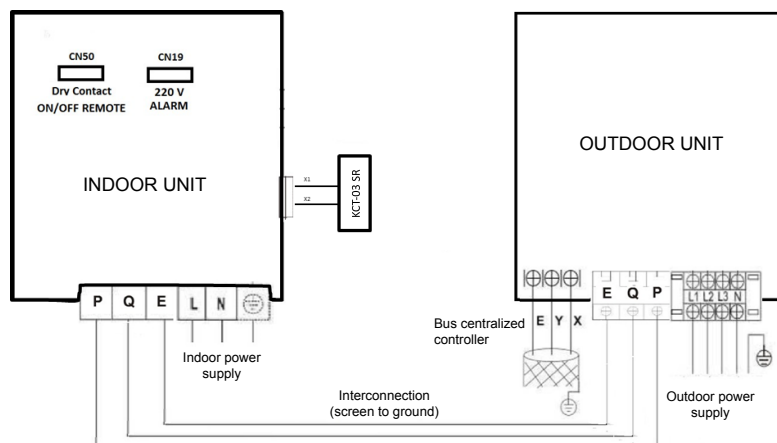
Product certified by: 



FEATURES

Model	KPDHF-280F DN2
Cooling capacity	28,50 kW
Cooling power input	9.630 W
Heating capacity	31,50 kW
Heating power input	7.430 W
Airflow (indoor)	3.745/3.837/3.941/4.043/4.144/4.237/4.358 m ³ /h
Max. static pressure	50/52/53/54/55/56/57 dB(A)
Sound pressure (indoor)	250 Pa
Airflow (outdoor)	11.000 m ³ /h
Sound pressure (outdoor)	60 dB(A)
Power supply (indoor)	220-240 V / 1 / 50 Hz
Power supply (outdoor)	380-415 V / 3 / 50 Hz
Power wiring (indoor)	(2+T)x4 mm ²
Power wiring (outdoor)	(4+T)x6 mm ²
Max. input	23 A
Com. bus shielded	3x0,75 mm ²

WIRING DIAGRAM



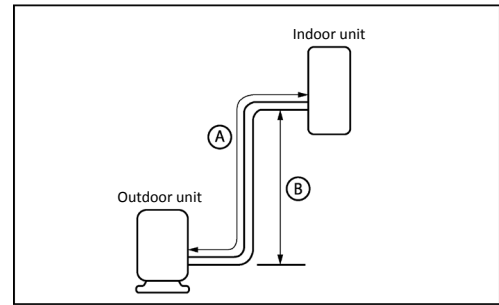
NOTES:

- (1) The data and specifications present in this sheet may vary without notice.
- (2) The images on this sheet are indicative and may be different from the final machine.

COOLING CONNECTION

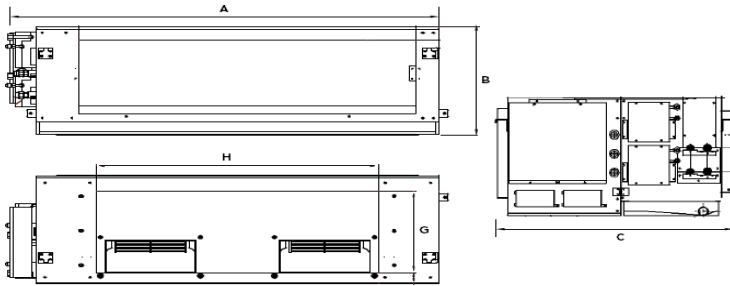
Model	
Refrigerating pipes	Ø3/8" / Ø7/8"
Refrigerant charge	6,50 kg
Indoor drain pipe	Ø32
Max. pipe length (A)	50 m
Max. level difference (B)	25 m

KPDHF-280F DN2



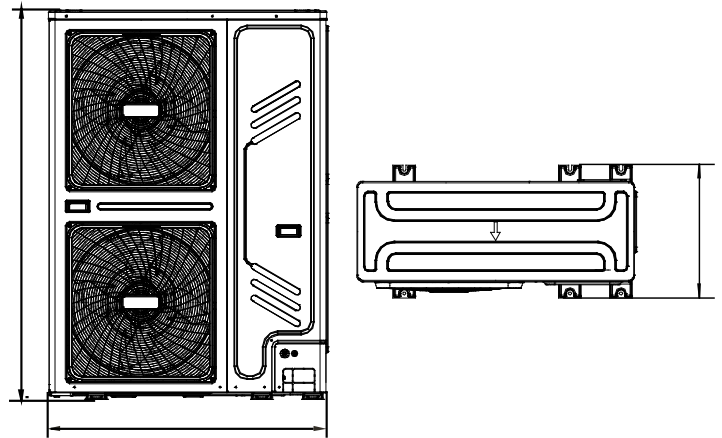
DIMENSIONS & WEIGHT INDOOR

Model	KPDHF-280 DN4.0
Width	1.440 mm
Height	505 mm
Depth	925 mm
Weight	130 kg

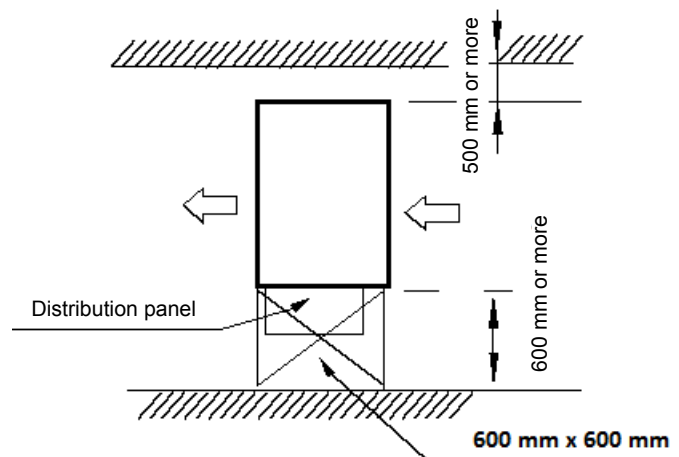
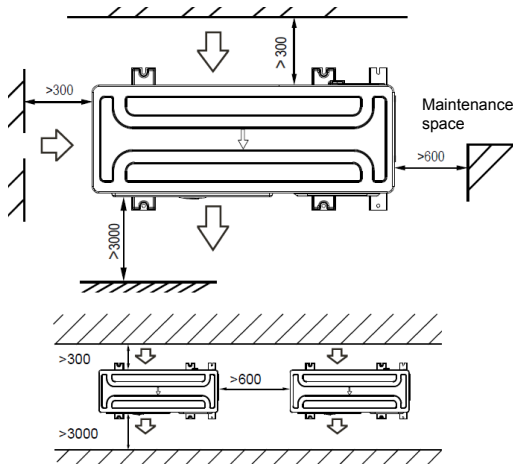


DIMENSIONS & WEIGHT OUTDOOR

Model	KMF-280 DN4
Width	1.120 mm
Height	1.558 mm
Depth	528 mm
Weight	143 kg



INSTALLATION



High Pressure Front Air Discharge


KPDHF-400F DN3

PRODUCT SHEET



KCT-03 SR
Standard controller



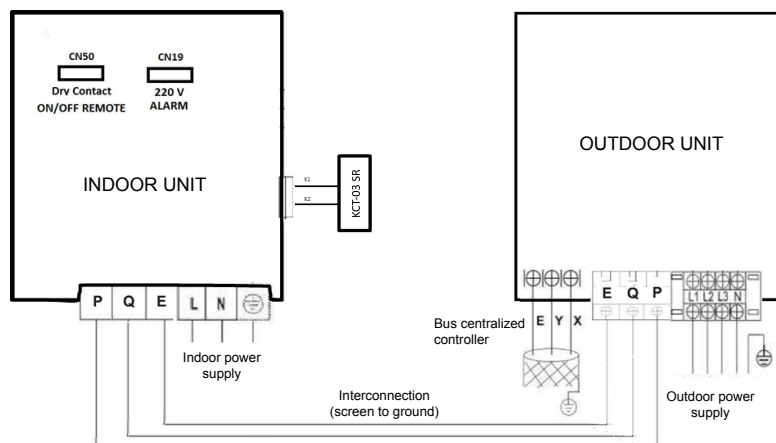
Product certified by: 



FEATURES

Model	KPDHF-400F DN3
Cooling capacity	40 kW
Cooling power input	19.420 W
Heating capacity	45 kW
Heating power input	14.960 W
Airflow (indoor)	4.400/4.750/5.100/5.450/5.800/6.150/6.500 m ³ /h
Max. static pressure	49/51/53/54/55/56/57 dB(A)
Sound pressure (indoor)	300 Pa
Airflow (outdoor)	16.575 m ³ /h
Sound pressure (outdoor)	62 dB(A)
Power supply (indoor)	220-240 V / 1 / 50 Hz
Power supply (outdoor)	380-415 V / 3 / 50 Hz
Power wiring (indoor)	(2+T)x4 mm ²
Power wiring (outdoor)	(4+T)x16 mm ²
Max. input	66 A
Com. bus shielded	3x0,75 mm ²

WIRING DIAGRAM



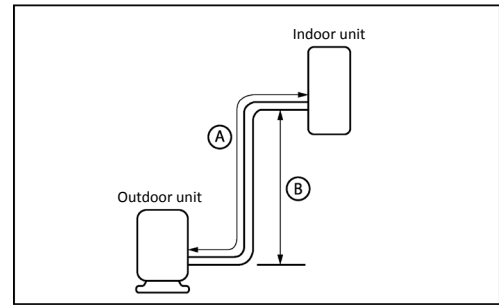
NOTES:

- (1) The data and specifications present in this sheet may vary without notice.
 (2) The images on this sheet are indicative and may be different from the final machine.

COOLING CONNECTION

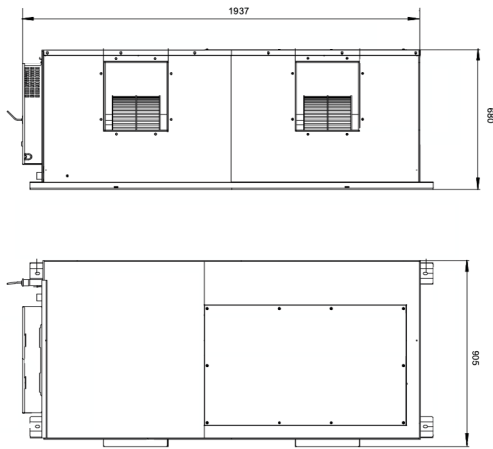
Model	
Refrigerating pipes	Ø1/2" / Ø1"
Refrigerant charge	9 kg
Indoor drain pipe	Ø32
Max. pipe length (A)	120 m
Max. level difference (B)	30 m

KPDHF-400F DN3



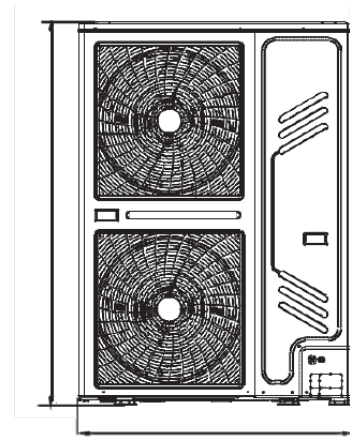
DIMENSIONS & WEIGHT INDOOR

Model	KPDHF-400 DN4.0
Width	2.010 mm
Height	680 mm
Depth	905 mm
Weight	210 kg

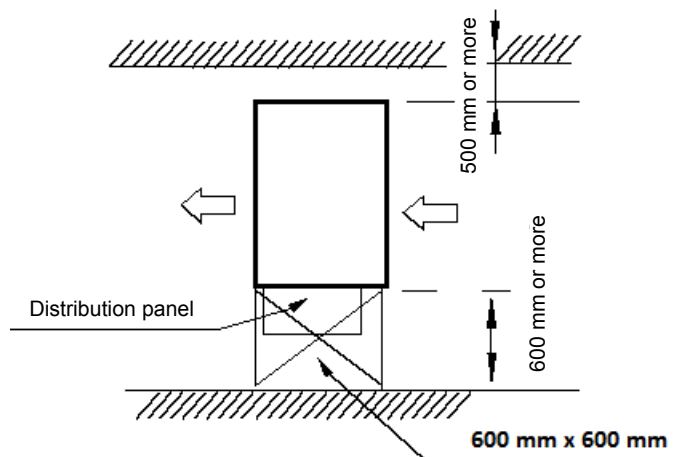
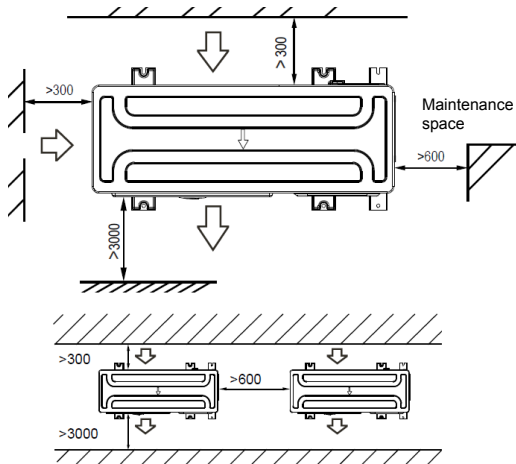


DIMENSIONS & WEIGHT OUTDOOR

Model	KMF-400 DN3
Width	1.360 mm
Height	1.650 mm
Depth	540 mm
Weight	250 kg



INSTALLATION



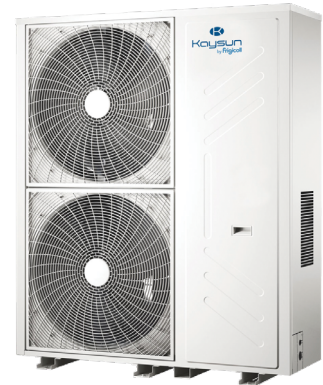
High Pressure Front Air Discharge


KPDHF-450F DN3

PRODUCT SHEET



KCT-03 SR
Standard controller



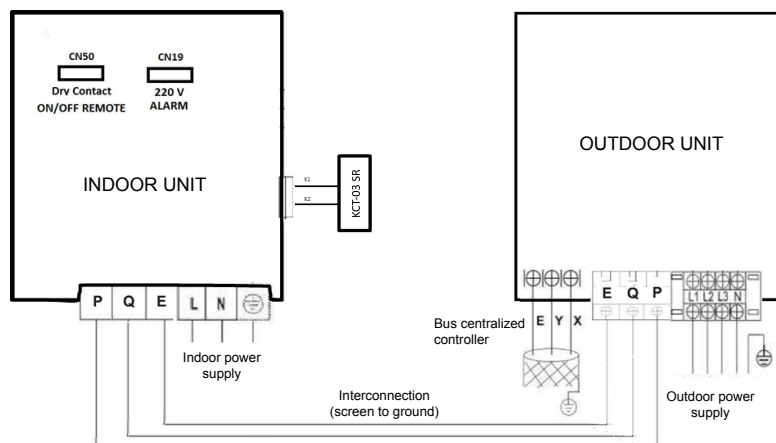
Product certified by: 



FEATURES

Model	KPDHF-450F DN3
Cooling capacity	45 kW
Cooling power input	19.650 W
Heating capacity	50 kW
Heating power input	15.300 W
Airflow (indoor)	4.400/4.750/5.100/5.450/5.800/6.150/6.500 m ³ /h
Max. static pressure	49/51/53/54/55/56/57 dB(A)
Sound pressure (indoor)	300 Pa
Airflow (outdoor)	16.575 m ³ /h
Sound pressure (outdoor)	62 dB(A)
Power supply (indoor)	220-240 V / 1 / 50 Hz
Power supply (outdoor)	380-415 V / 3 / 50 Hz
Power wiring (indoor)	(2+T)x4 mm ²
Power wiring (outdoor)	(4+T)x16 mm ²
Max. input	66 A
Com. bus shielded	3x0,75 mm ²

WIRING DIAGRAM



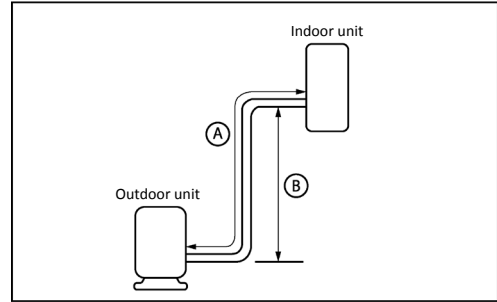
NOTES:

- (1) The data and specifications present in this sheet may vary without notice.
 (2) The images on this sheet are indicative and may be different from the final machine.

COOLING CONNECTION

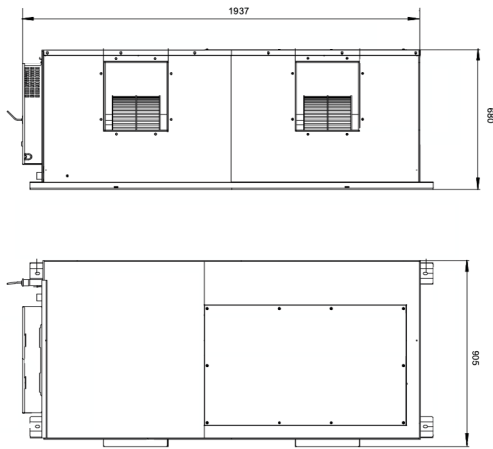
Model	
Refrigerating pipes	Ø1/2" / Ø1"
Refrigerant charge	12 kg
Indoor drain pipe	Ø32
Max. pipe length (A)	120 m
Max. level difference (B)	30 m

KPDHF-450F DN3



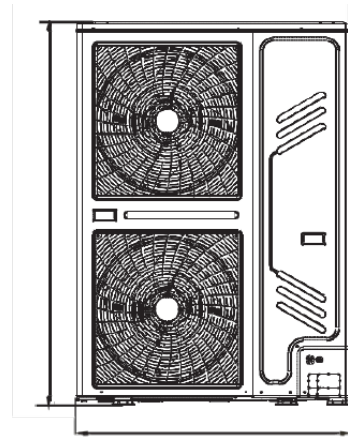
DIMENSIONS & WEIGHT INDOOR

Model	KPDHF-450 DN4.0
Width	2.010 mm
Height	680 mm
Depth	905 mm
Weight	210 kg



DIMENSIONS & WEIGHT OUTDOOR

Model	KMF-450 DN3
Width	1.460 mm
Height	1.650 mm
Depth	540 mm
Weight	280 kg



INSTALLATION

