

Prodigy

PRODUCT SHEET



KID-05.1S
Standard controller



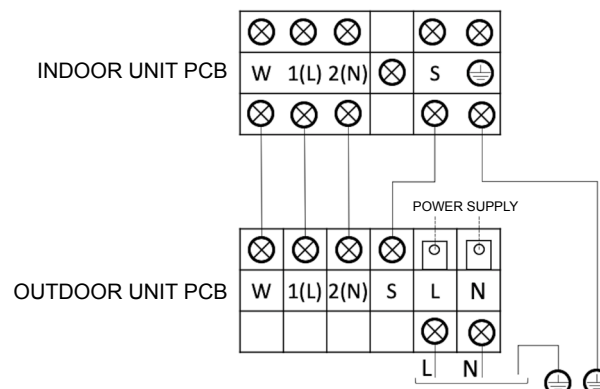
Product certified by:



FEATURES

Model	AKAY-26 DR9	AKAY-35 DR9	AKAY-52 DR9	AKAY-71 DR9
Cooling capacity	2,64 kW	3,52 kW	5,28 kW	7,03 kW
Cooling power input	628 W	1.034 W	1.550 W	2.340 W
Heating capacity	2,93 kW	3,81 kW	5,57 kW	7,33 kW
Heating power input	666 W	1.027 W	1.500 W	2.130 W
ErP Classification cold/heat	A+++ / A++	A+++ / A++	A++ / A+	A++ / A+
Airflow (indoor)	305/365/480 m ³ /h	327/414/531 m ³ /h	540/710/800 m ³ /h	640/860/980 m ³ /h
Sound pressure (indoor)	24 dB(A)	25 dB(A)	32 dB(A)	33 dB(A)
Airflow (outdoor)	2.150 m ³ /h	2.200 m ³ /h	2.100 m ³ /h	3.500 m ³ /h
Sound pressure (outdoor)	54,5 dB(A)	55 dB(A)	56 dB(A)	60,50 dB(A)
Power supply	220-240 V / 1 / 50 Hz			
Power wiring (outdoor)	(2+T)x1,50 mm ²	(2+T)x1,50 mm ²	(2+T)x1,50 mm ²	(2+T)x2,50 mm ²
Communication wiring	(4+T)x1,50 mm ²	(4+T)x1,50 mm ²	(4+T)x1,50 mm ²	(4+T)x2,50 mm ²
Refrigerating pipes	Ø1/4" / Ø3/8"	Ø1/4" / Ø3/8"	Ø1/4" / Ø1/2"	Ø3/8" / Ø5/8"
Refrigerant charge / Additional charge	0,62 kg / 0,012 kg	0,62 kg / 0,012 kg	1,10 kg / 0,012 kg	1,45 kg / 0,024 kg
Max. pipe length	25 m	25 m	30 m	50 m
Max. level difference	10 m	10 m	20 m	25 m

WIRING DIAGRAM



NOTES:

- (1) The data and specifications present in this sheet may vary without notice.
 (2) The images on this sheet are indicative and may be different from the final machine.

DIMENSIONS & WEIGHT OF INDOOR UNIT

Model	Weight	A	B	C
KAY-26 DR9	8,70 kg	805 mm	302 mm	193 mm
KAY-35 DR9	8,70 kg	805 mm	302 mm	193 mm
KAY-52 DR9	11,30 kg	964 mm	325 mm	222 mm
KAY-72 DR9	14,20 kg	1.106 mm	342 mm	232 mm



DIMENSIONS & WEIGHT OF OUTDOOR UNIT

Model	Weight	Width	Height	Depth
KAE-26 DR9	26,70 kg	765 mm	555 mm	303 mm
KAE-35 DR9	26,70 kg	765 mm	555 mm	303 mm
KAE-52 DR9	33,50 kg	805 mm	554 mm	330 mm
KAE-71 DR9	43,90 kg	890 mm	673 mm	342 mm

