

Aquantia KHPS-MO PRO HP

Monobloc set

PRODUCT SHEET



Standard controller

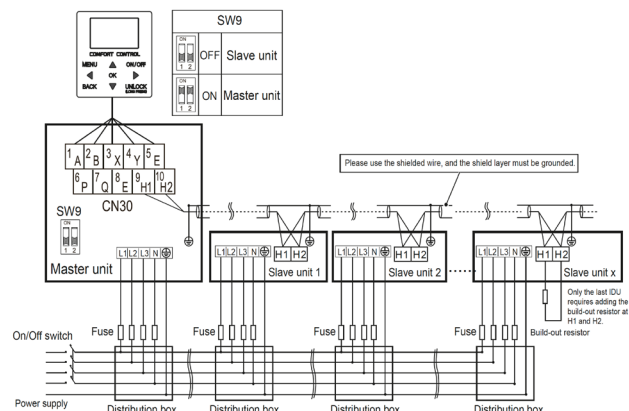
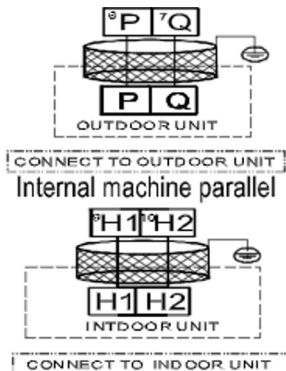
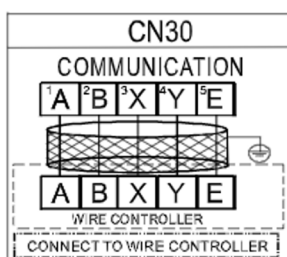
Product certified by:



FEATURES

Model	Set	KHPS-MO 18 PRO HP
	Outdoor unit	KHP-MO 18 DTR2
Outdoor unit	Net / Gross weight	177,0 kg / 206,0 kg
	Connections diameter	1 1/4" BSP
	Drain connection	DN32 mm
	Expansion vessel included	8,0 L
	Max. pump available pressure	12,0 m
	Rated water flow	3,1 m ³ /h
	Power supply	380-415 V / 3 / 50 Hz
	Max. intensity	18,0 A
	Recommended fuse	D25 A
	Backup electrical resistance	Not included
DHW tank (not included)	Minimum DHW coil area	Stainless 3,5 m ² Enamelled steel 5,0 m ²
	Recommended tank capacity	500 L ~ 3.000 L
	Recommended model	BSX475
	Max. tank installation distance from the outdoor unit	5 m
Water outlet temperature	Heating & DHW	+25 ~ +60 °C
	Cooling	+5 ~ +25 °C
Operating range	Heating	-25 ~ +35 °C
	DHW	-25 ~ +43 °C
	Cooling	-5 ~ +46 °C

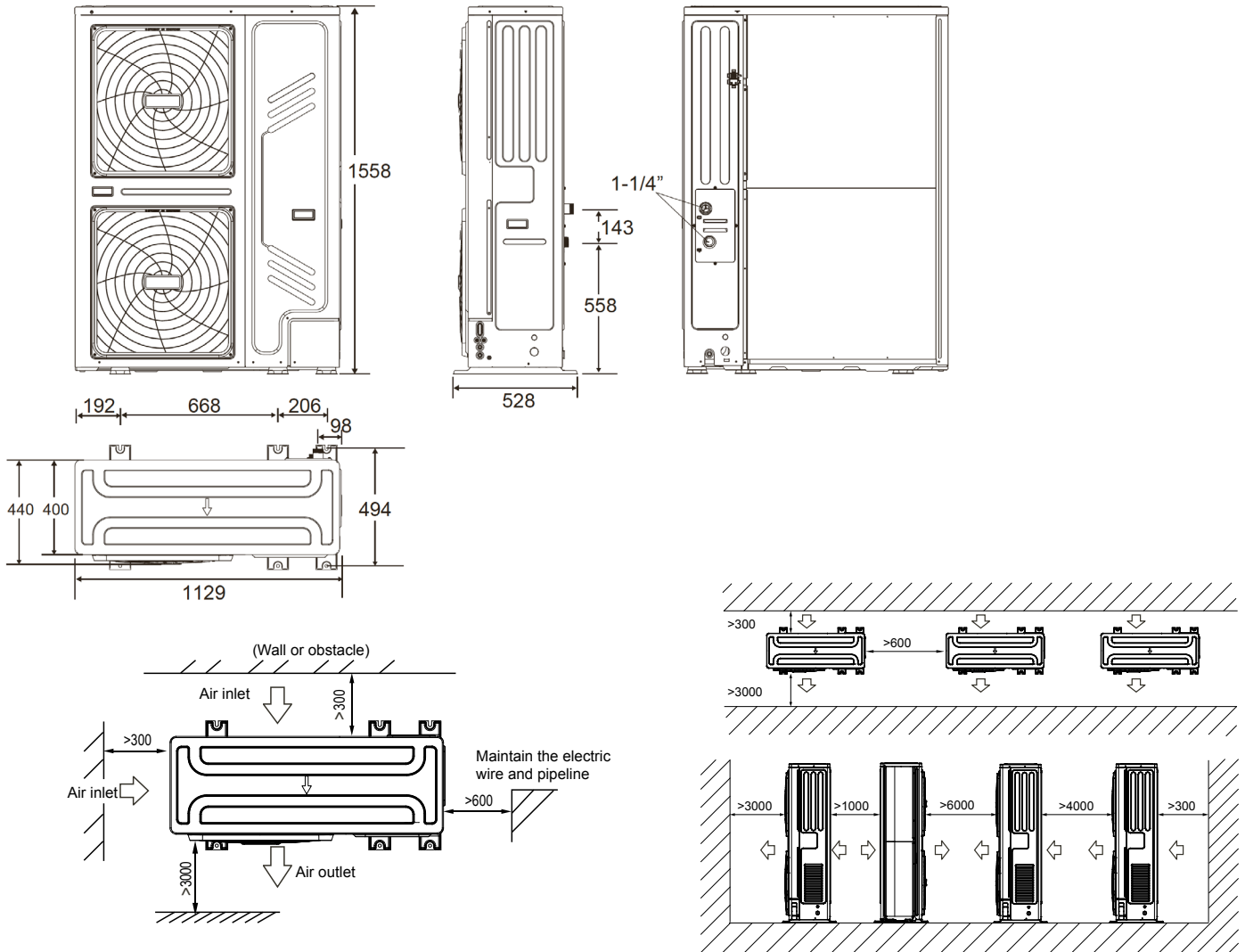
ELECTRICAL CONNECTION



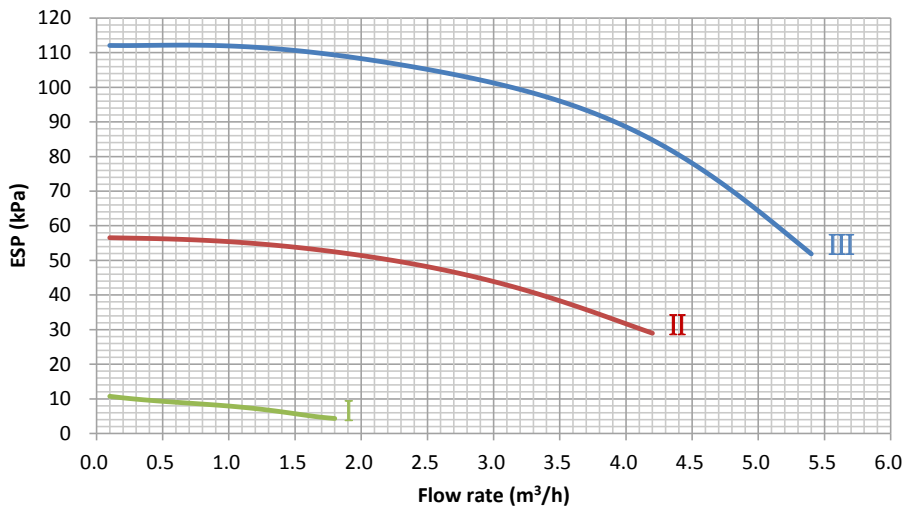
NOTES:
 (1) The data and specifications present in this sheet may vary without notice.
 (2) The images on this sheet are indicative and may be different from the final machine.

The parallel system electrical control system connection diagram(3N~)

DIMENSIONS & INSTALLATION DISTANCES



PUMP CURVE



I: Low ; II: Medium ; III: High

PERFORMANCES

	Heating			Cooling	
	A+7°C Capacity kW / W+35°C COP	A+7°C Capacity kW / W+55°C COP	A-7°C Capacity kW / W+35°C COP	A+35°C Capacity kW / W+18°C EER	A+35°C Capacity kW / W+7°C EER
KHPS-MO 18 PRO HP	18,00 / 4,70	18,00 / 2,75	18,00 / 2,70	18,50 / 4,75	17,00 / 3,05

SOUND PRESSURE

	Sound pressure Outdoor unit dB(A)
KHPS-MO 18 PRO HP	57,6

Aquantia KHPS-MO PRO HP

Monobloc set

PRODUCT SHEET



Standard controller

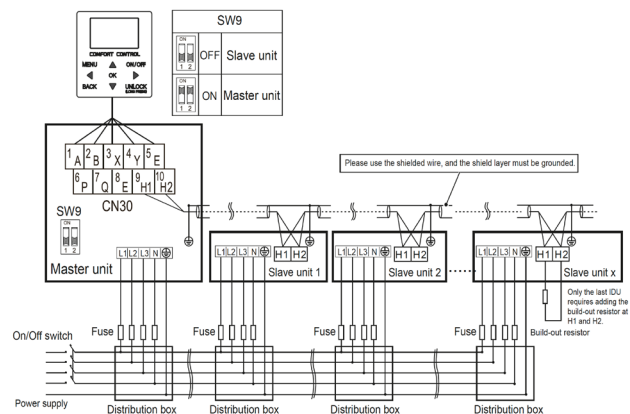
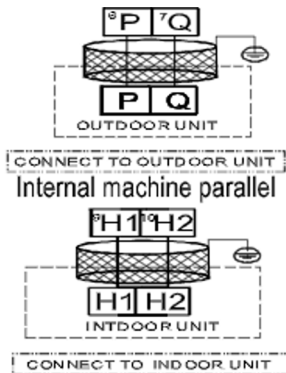
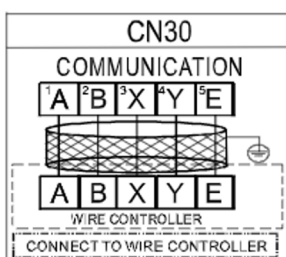
Product certified by:



FEATURES

Model	Set	KHPS-MO 22 PRO HP
	Outdoor unit	KHP-MO 22 DTR2
Outdoor unit	Net / Gross weight	177,0 kg / 206,0 kg
	Connections diameter	1 1/4" BSP
	Drain connection	DN32 mm
	Expansion vessel included	8,0 L
	Max. pump available pressure	12,0 m
	Rated water flow	3,78 m ³ /h
	Power supply	380-415 V / 3 / 50 Hz
	Max. intensity	21,0 A
	Recommended fuse	D25 A
	Backup electrical resistance	Not included
DHW tank (not included)	Minimum DHW coil area	Stainless 3,5 m ² Enamelled steel 5,0 m ²
	Recommended tank capacity	500 L ~ 3.000 L
	Recommended model	BSX475
	Max. tank installation distance from the outdoor unit	5 m
Water outlet temperature	Heating & DHW	+25 ~ +60 °C
	Cooling	+5 ~ +25 °C
Operating range	Heating	-25 ~ +35 °C
	DHW	-25 ~ +43 °C
	Cooling	-5 ~ +46 °C

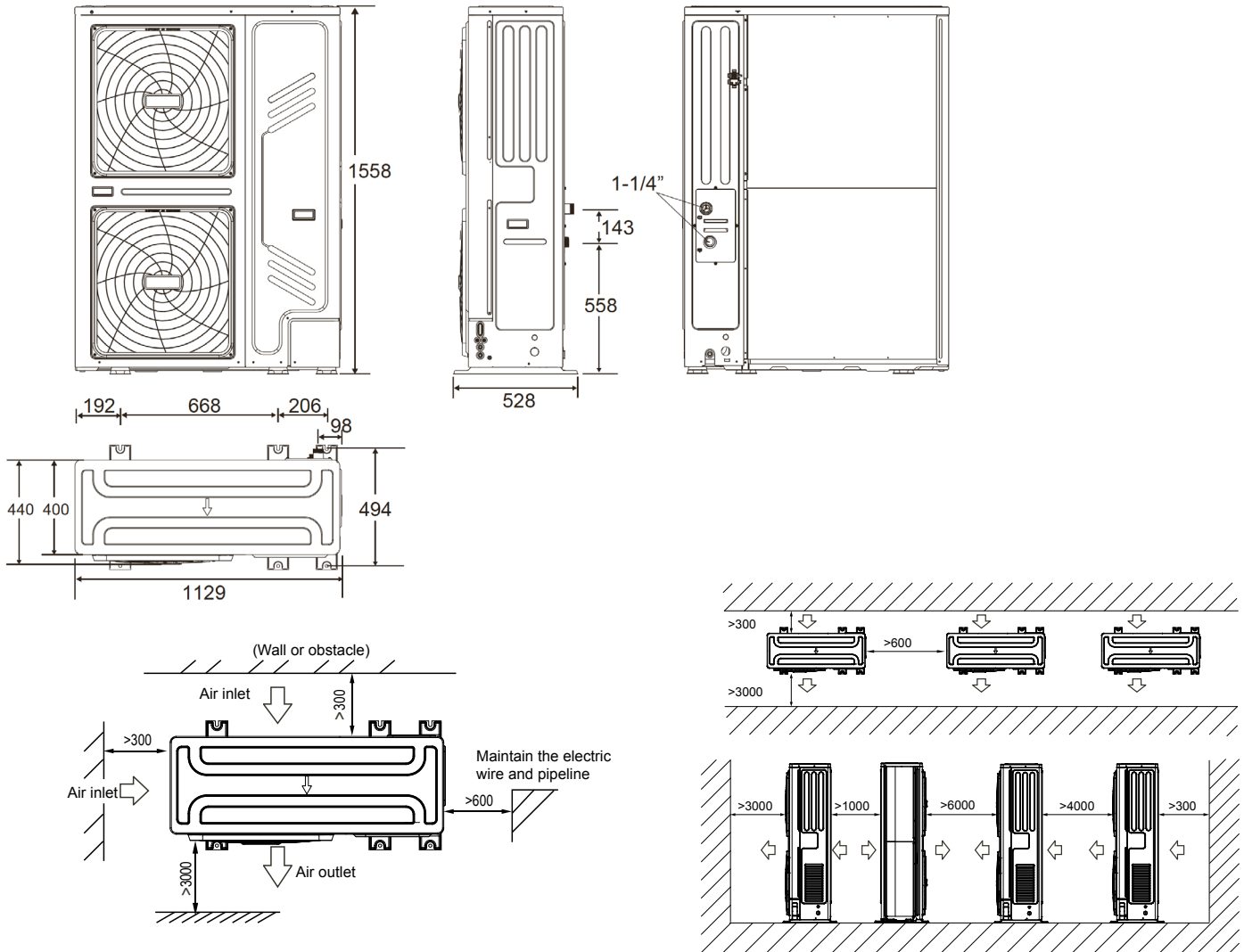
ELECTRICAL CONNECTION



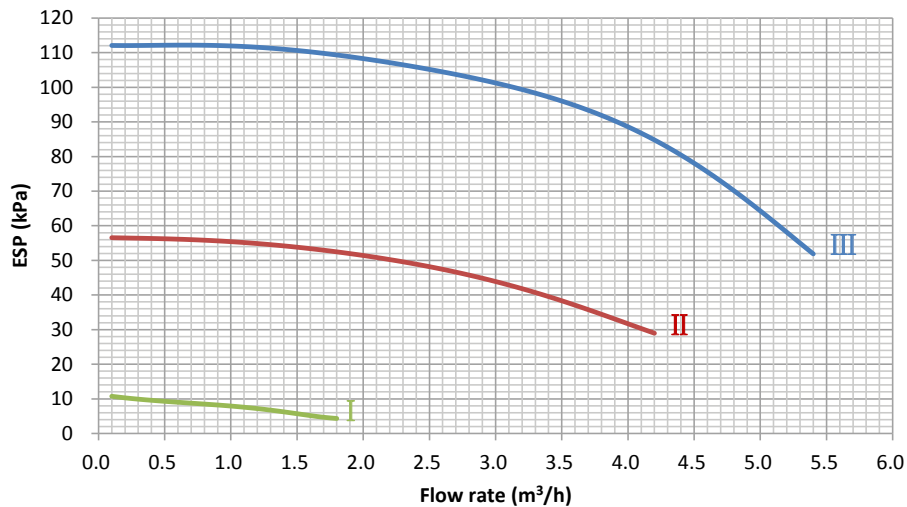
NOTES:
 (1) The data and specifications present in this sheet may vary without notice.
 (2) The images on this sheet are indicative and may be different from the final machine.

The parallel system electrical control system connection diagram(3N-)

DIMENSIONS & INSTALLATION DISTANCES



PUMP CURVE



I: Low ; II: Medium ; III: High

PERFORMANCES

	Heating			Cooling	
	A+7°C Capacity kW / W+35°C COP	A+7°C Capacity kW / W+55°C COP	A-7°C Capacity kW / W+35°C COP	A+35°C Capacity kW / W+18°C EER	A+35°C Capacity kW / W+7°C EER
KHPS-MO 22 PRO HP	22,00 / 4,40	22,00 / 2,65	21,00 / 2,60	23,00 / 4,60	21,00 / 2,95

SOUND PRESSURE

	Sound pressure Outdoor unit dB(A)
KHPS-MO 22 PRO HP	59,8

Aquantia KHPS-MO PRO HP

Monobloc set

PRODUCT SHEET



Standard controller

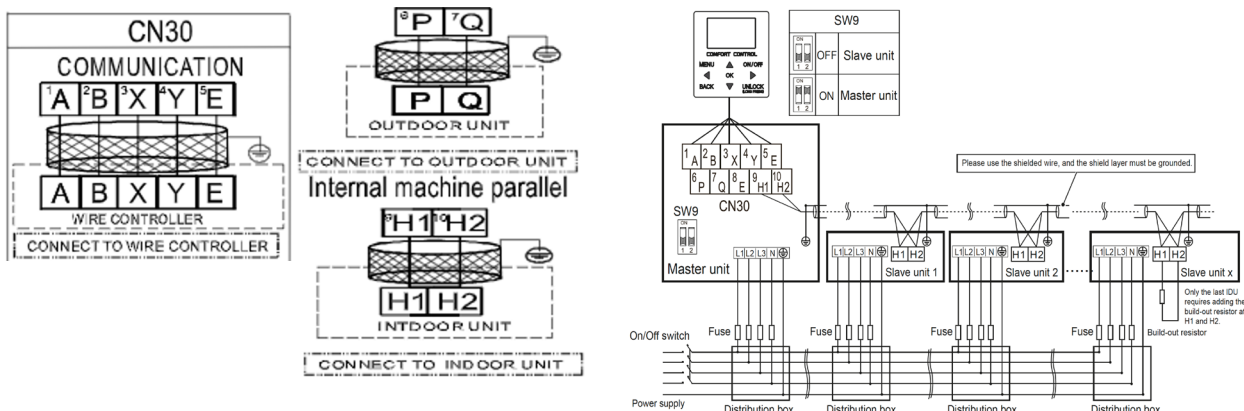
Product certified by:



FEATURES

Model	Set	KHPS-MO 26 PRO HP
	Outdoor unit	KHP-MO 26 DTR2
Outdoor unit	Net / Gross weight	177,0 kg / 206,0 kg
	Connections diameter	1 1/4" BSP
	Drain connection	DN32 mm
	Expansion vessel included	8,0 L
	Max. pump available pressure	12,0 m
	Rated water flow	4,47 m ³ /h
	Power supply	380-415 V / 3 / 50 Hz
	Max. intensity	24,0 A
	Recommended fuse	D25 A
	Backup electrical resistance	Not included
DHW tank (not included)	Minimum DHW coil area	Stainless Enamelled steel
		3,5 m ² 5,0 m ²
	Recommended tank capacity	500 L ~ 3.000 L
	Recommended model	BSX475
Water outlet temperature	Max. tank installation distance from the outdoor unit	5 m
	Heating & DHW	+25 ~ +60 °C
Operating range	Cooling	+5 ~ +25 °C
	Heating	-25 ~ +35 °C
Operating range	DHW	-25 ~ +43 °C
	Cooling	-5 ~ +46 °C

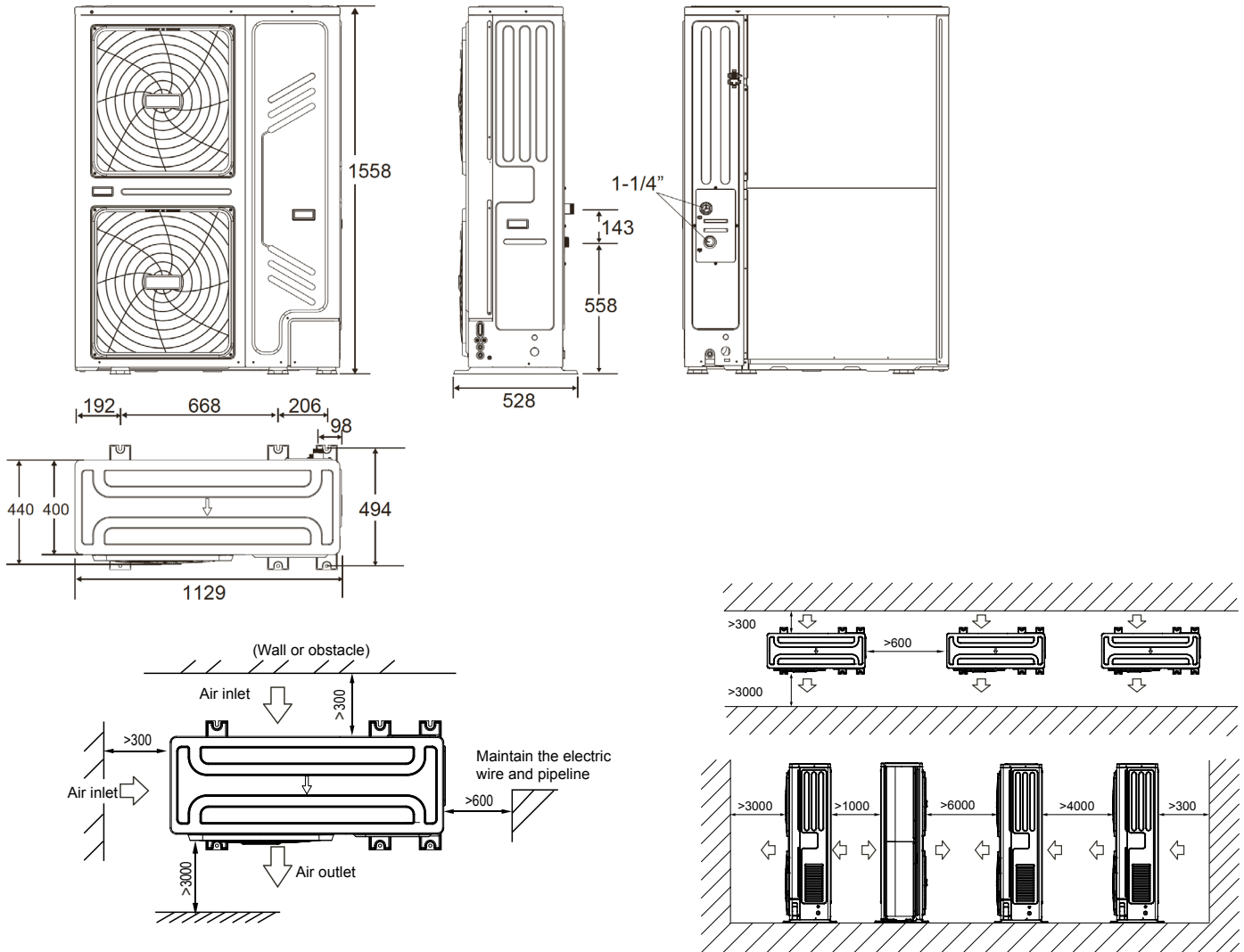
ELECTRICAL CONNECTION



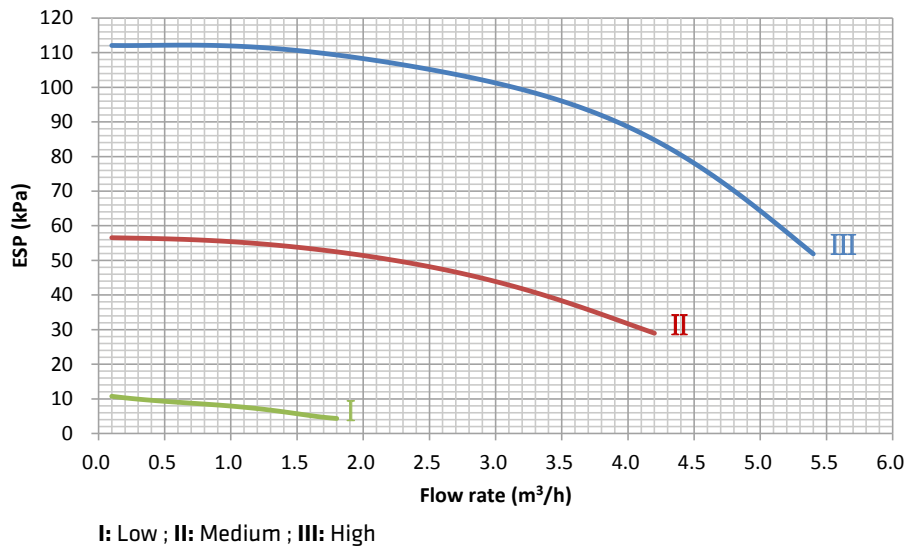
NOTES:
 (1) The data and specifications present in this sheet may vary without notice.
 (2) The images on this sheet are indicative and may be different from the final machine.

The parallel system electrical control system connection diagram(3N~)

DIMENSIONS & INSTALLATION DISTANCES



PUMP CURVE



PERFORMANCES

	Heating			Cooling	
	A+7°C Capacity kW / W+35°C COP	A+7°C Capacity kW / W+55°C COP	A-7°C Capacity kW / W+35°C COP	A+35°C Capacity kW / W+18°C EER	A+35°C Capacity kW / W+7°C EER
KHPS-MO 26 PRO HP	26,00 / 4,08	26,00 / 2,45	22,00 / 2,50	27,00 / 4,30	26,00 / 2,70

SOUND PRESSURE

	Sound pressure Outdoor unit dB(A)
KHPS-MO 26 PRO HP	61,5

Aquantia KHPS-MO PRO HP

Monobloc set

PRODUCT SHEET



Standard controller

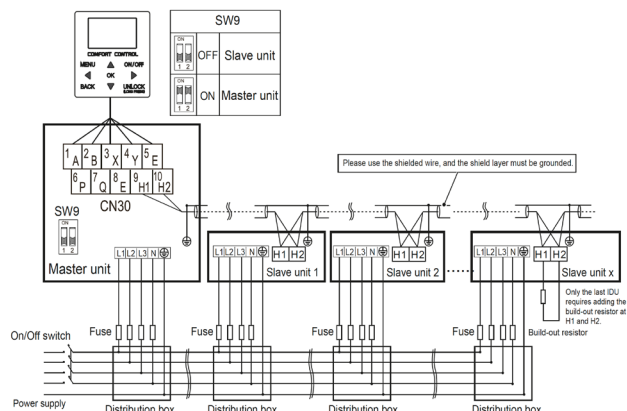
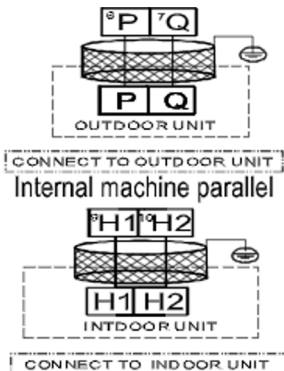
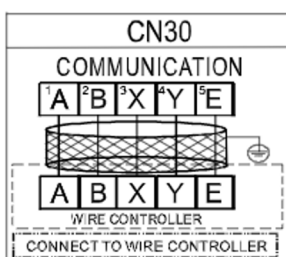
Product certified by:



FEATURES

Model	Set	KHPS-MO 30 PRO HP
	Outdoor unit	KHP-MO 30 DTR2
Outdoor unit	Net / Gross weight	177,0 kg / 206,0 kg
	Connections diameter	1 1/4" BSP
	Drain connection	DN32 mm
	Expansion vessel included	8,0 L
	Max. pump available pressure	12,0 m
	Rated water flow	5,18 m ³ /h
	Power supply	380-415 V / 3 / 50 Hz
	Max. intensity	28,0 A
	Recommended fuse	D32 A
	Backup electrical resistance	Not included
DHW tank (not included)	Minimum DHW coil area	Stainless 3,5 m ² Enamelled steel 5,0 m ²
	Recommended tank capacity	500 L ~ 3.000 L
	Recommended model	BSX475
	Max. tank installation distance from the outdoor unit	5 m
Water outlet temperature	Heating & DHW	+25 ~ +60 °C
	Cooling	+5 ~ +25 °C
Operating range	Heating	-25 ~ +35 °C
	DHW	-25 ~ +43 °C
	Cooling	-5 ~ +46 °C

ELECTRICAL CONNECTION



NOTES:
 (1) The data and specifications present in this sheet may vary without notice.
 (2) The images on this sheet are indicative and may be different from the final machine.

The parallel system electrical control system connection diagram(3N~)

PERFORMANCES

	Heating			Cooling	
	A+7°C Capacity kW / W+35°C COP	A+7°C Capacity kW / W+55°C COP	A-7°C Capacity kW / W+35°C COP	A+35°C Capacity kW / W+18°C EER	A+35°C Capacity kW / W+7°C EER
KHPS-MO 30 PRO HP	30,10 / 3,91	30,00 / 2,30	23,00 / 2,45	31,00 / 4,00	29,50 / 2,55

SOUND PRESSURE

	Sound pressure Outdoor unit dB(A)
KHPS-MO 30 PRO HP	63,5