

Amazon Unitario III Front Air Discharge

KMF-200 DN4

PRODUCT SHEET



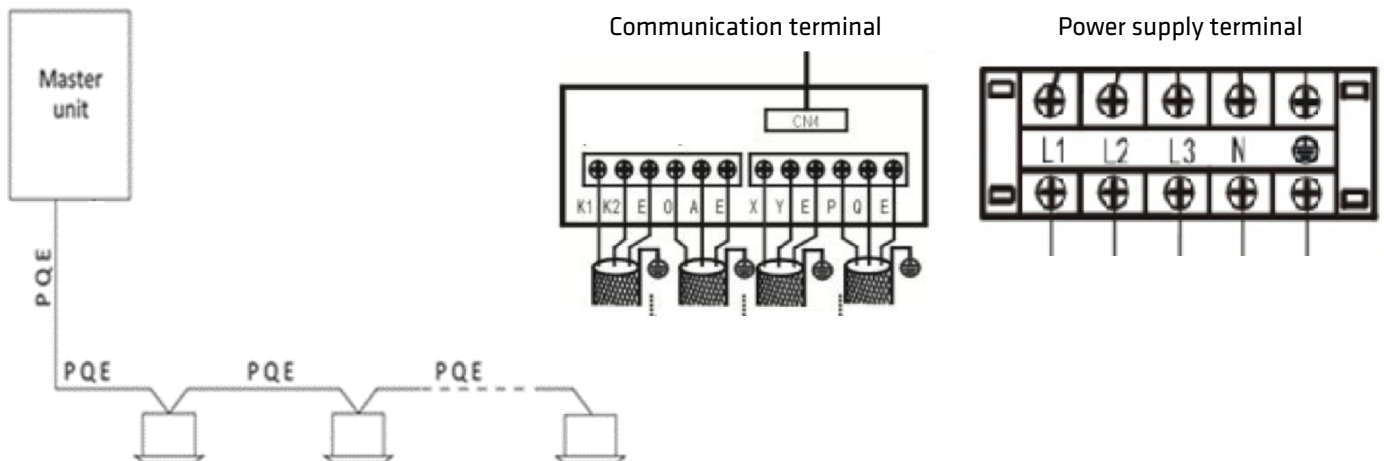
Product certified by:



FEATURES

Model	KMF-200 DN4
Max. indoor units	17
Cooling capacity	20 kW
Cooling power input	4.900 W
Heating capacity	22,50 kW
Heating power input	6.590 W
SEER / SCOP	7,11 / 3,95
Airflow	9.000 m ³ /h
Sound pressure	58 dB(A)
Working range (cooling/heating)	-5 ~ 48 °C / -20 ~ 24 °C
Refrigerating pipes	Ø3/8" / Ø3/4"
Refrigerant charge	6,50 kg
Power supply	380-415 V / 3 / 50 Hz
Max. input	25 A
Power wiring	(4+T)x6 mm ²
Shielded communication wiring	3x0,75 mm ²

WIRING DIAGRAM



NOTES:

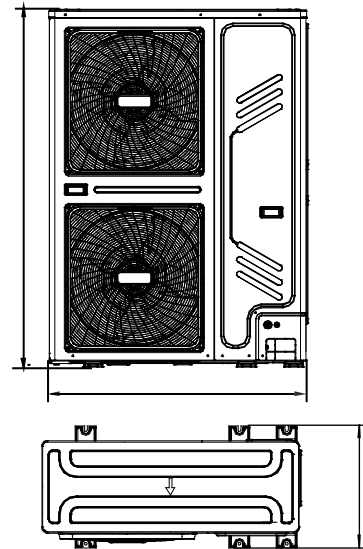
- (1) The data and specifications in this sheet are subject to change without notice.
- (2) The images in this sheet are for guidance only and may be different from the actual machine.
- (3) Cooling capacity conditions: Indoor temperature 27°C DB/19°C WB; Outdoor temperature 35°C DB; Equivalent refrigerant piping length 7.5 m with zero level difference; Data calculated with Cassette type indoor unit. Heating capacity conditions: Indoor temperature 20°C DB; Outdoor temperature 7°C DB/6°C WB; Equivalent refrigerant piping length 7.5 m with zero level difference; Data calculated with Cassette type indoor unit.
- (4) Sound pressure level is measured at a position 1 m in front of the unit and 1 m above the floor in a semi-anechoic chamber.

PIPELINE LENGTH

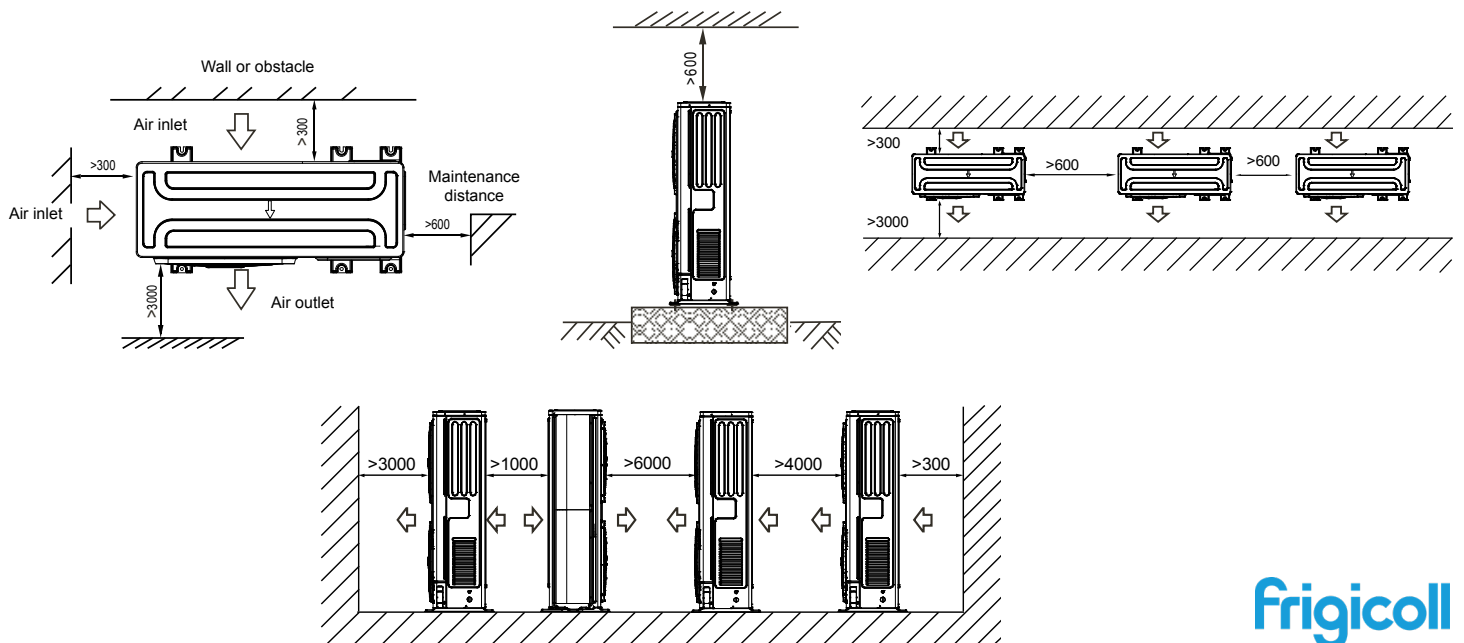
Max. pipe length		150 m
Max. distance between outdoor unit and further indoor unit	Real	100 m
	Equivalent	110 m
From first branch joint to the further indoor unit		40 m
From first indoor unit to the closer branch		15 m
Height difference	Outdoor unit over	50 m
	Outdoor unit below	40 m
Height difference between indoor units		15 m

DIMENSIONS & WEIGHT

Width	1.120 mm
Height	1.558 mm
Depth	528 mm
Weight	143 kg



INSTALLATION



Amazon Unitario III Front Air Discharge

KMF-224 DN4

PRODUCT SHEET



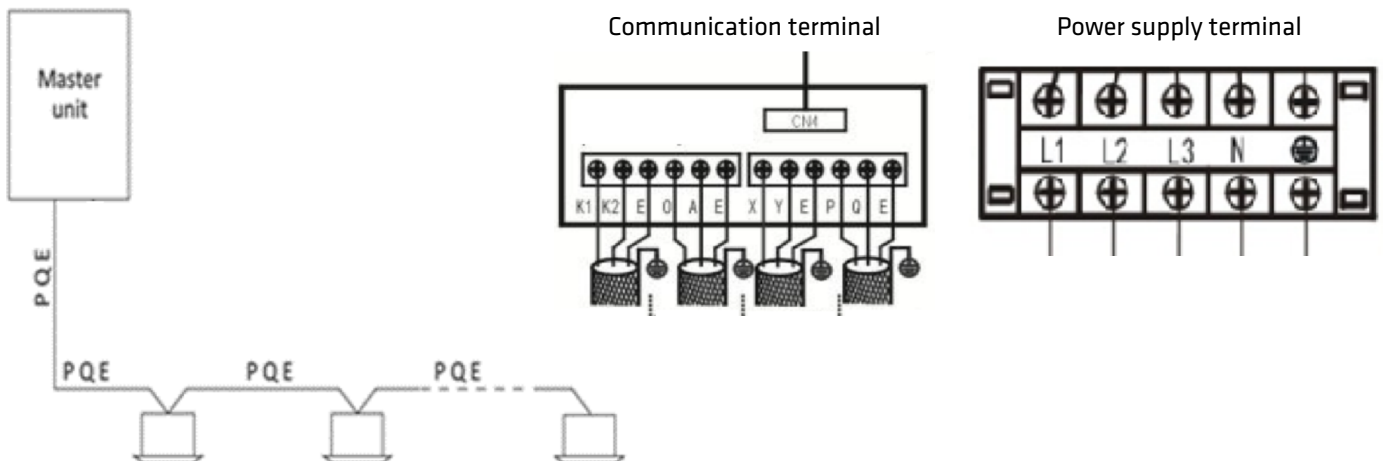
Product certified by:



FEATURES

Model	KMF-224 DN4
Max. indoor units	19
Cooling capacity	22,40 kW
Cooling power input	6.830 W
Heating capacity	25 kW
Heating power input	6.670 W
SEER / SCOP	6,83 / 4,26
Airflow	9.000 m ³ /h
Sound pressure	58 dB(A)
Working range (cooling/heating)	-5 ~ 48 °C / -20 ~ 24 °C
Refrigerating pipes	Ø3/8" / Ø3/4"
Refrigerant charge	6,50 kg
Power supply	380-415 V / 3 / 50 Hz
Max. input	25 A
Power wiring	(4+T)x6 mm ²
Shielded communication wiring	3x0,75 mm ²

WIRING DIAGRAM



NOTES:

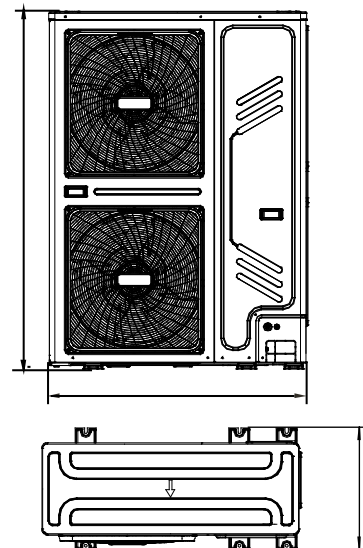
- (1) The data and specifications in this sheet are subject to change without notice.
- (2) The images in this sheet are for guidance only and may be different from the actual machine.
- (3) Cooling capacity conditions: Indoor temperature 27°C DB/19°C WB; Outdoor temperature 35°C DB; Equivalent refrigerant piping length 7.5 m with zero level difference; Data calculated with Cassette type indoor unit. Heating capacity conditions: Indoor temperature 20°C DB; Outdoor temperature 7°C DB/6°C WB; Equivalent refrigerant piping length 7.5 m with zero level difference; Data calculated with Cassette type indoor unit.
- (4) Sound pressure level is measured at a position 1 m in front of the unit and 1 m above the floor in a semi-anechoic chamber.

PIPELINE LENGTH

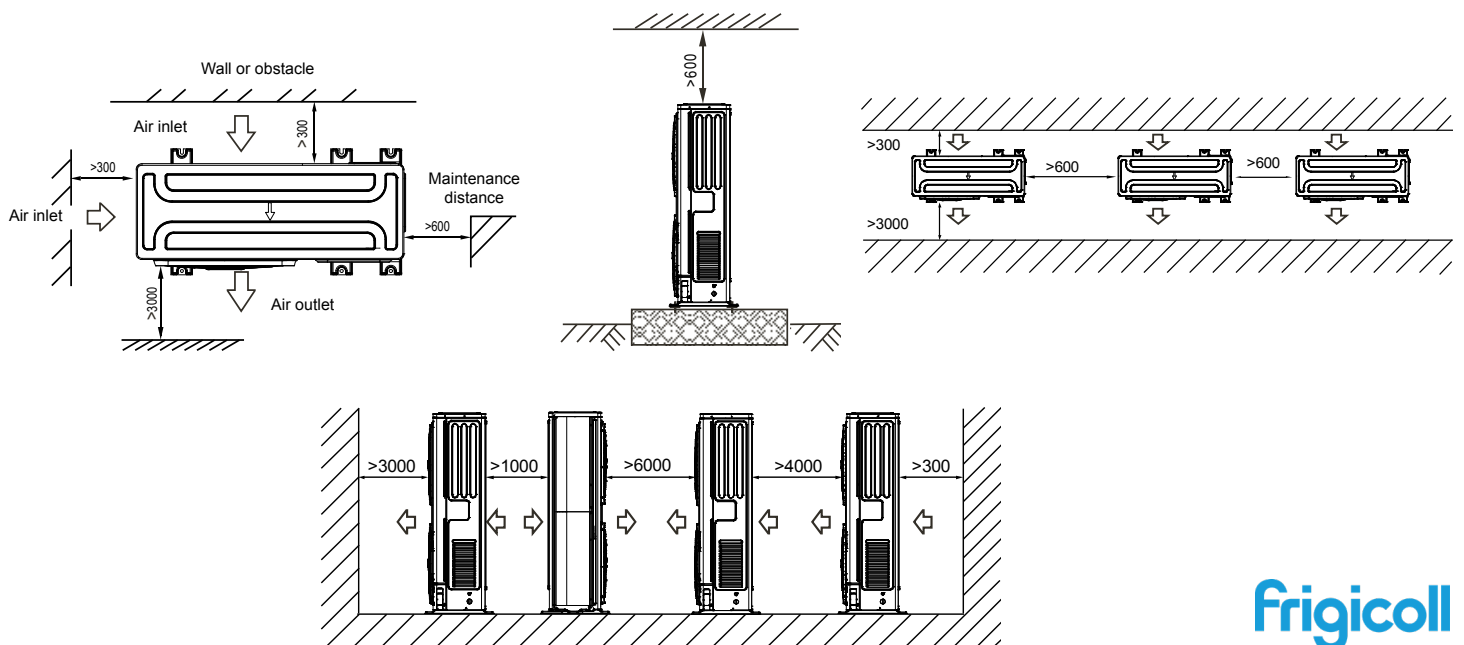
Max. pipe length		150 m
Max. distance between outdoor unit and further indoor unit	Real	100 m
	Equivalent	110 m
From first branch joint to the further indoor unit		40 m
From first indoor unit to the closer branch		15 m
Height difference	Outdoor unit over	50 m
	Outdoor unit below	40 m
Height difference between indoor units		15 m

DIMENSIONS & WEIGHT

Width	1.120 mm
Height	1.558 mm
Depth	528 mm
Weight	143 kg



INSTALLATION



Amazon Unitario III Front Air Discharge

KMF-260 DN4

PRODUCT SHEET



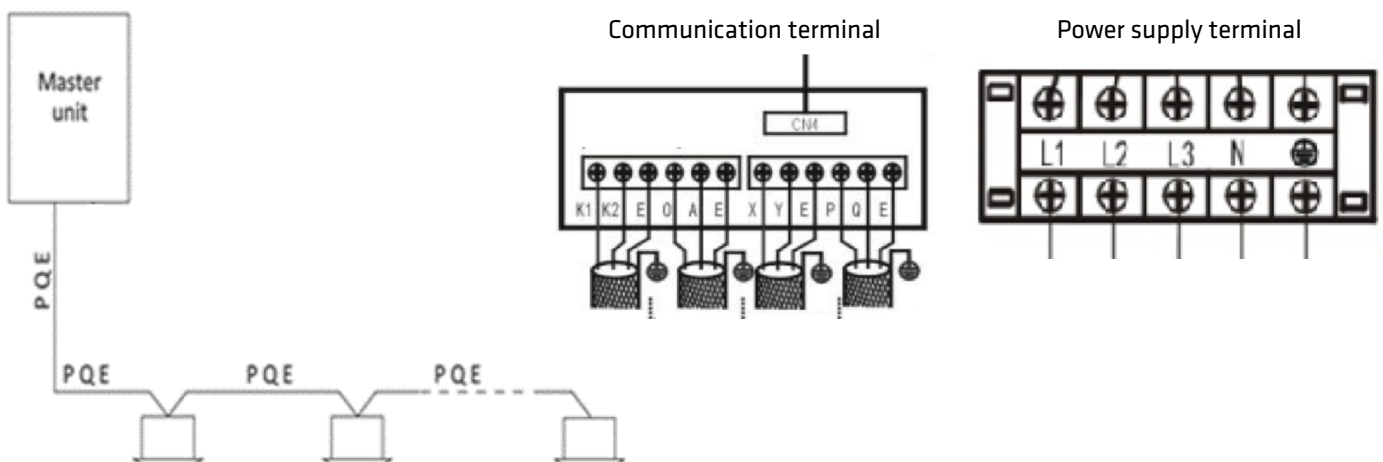
Product certified by:



FEATURES

Model	KMF-260 DN4
Max. indoor units	22
Cooling capacity	26 kW
Cooling power input	9.630 W
Heating capacity	28,50 kW
Heating power input	7.430 W
SEER / SCOP	6,55 / 4,53
Airflow	10.000 m ³ /h
Sound pressure	59 dB(A)
Working range (cooling/heating)	-5 ~ 48 °C / -20 ~ 24 °C
Refrigerating pipes	Ø3/8" / Ø7/8"
Refrigerant charge	6,50 kg
Power supply	380-415 V / 3 / 50 Hz
Max. input	25 A
Power wiring	(4+T)x6 mm ²
Shielded communication wiring	3x0,75 mm ²

WIRING DIAGRAM



NOTES:

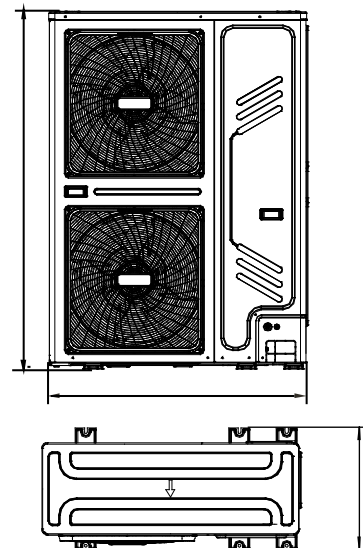
- (1) The data and specifications in this sheet are subject to change without notice.
- (2) The images in this sheet are for guidance only and may be different from the actual machine.
- (3) Cooling capacity conditions: Indoor temperature 27°C DB/19°C WB; Outdoor temperature 35°C DB; Equivalent refrigerant piping length 7.5 m with zero level difference; Data calculated with Cassette type indoor unit. Heating capacity conditions: Indoor temperature 20°C DB; Outdoor temperature 7°C DB/6°C WB; Equivalent refrigerant piping length 7.5 m with zero level difference; Data calculated with Cassette type indoor unit.
- (4) Sound pressure level is measured at a position 1 m in front of the unit and 1 m above the floor in a semi-anechoic chamber.

PIPELINE LENGTH

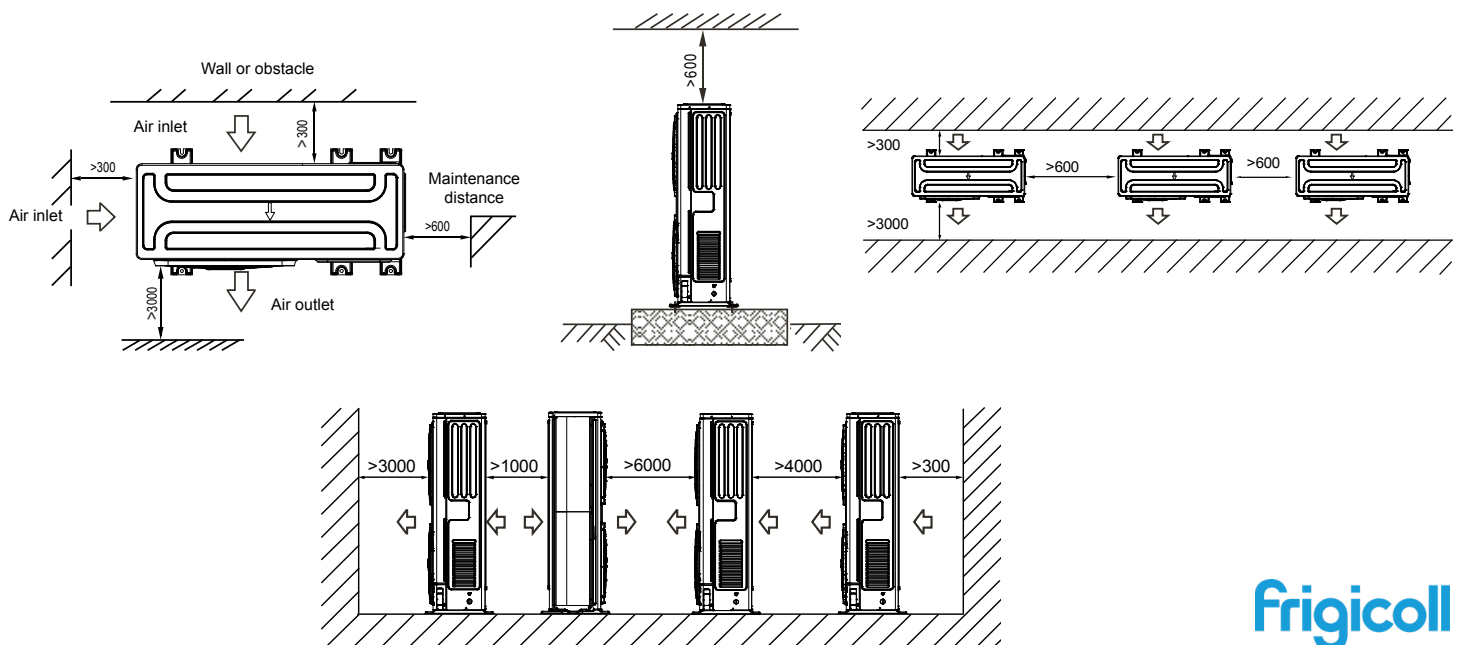
Max. pipe length		150 m
Max. distance between outdoor unit and further indoor unit	Real	100 m
	Equivalent	110 m
From first branch joint to the further indoor unit		40 m
From first indoor unit to the closer branch		15 m
Height difference	Outdoor unit over	50 m
	Outdoor unit below	40 m
Height difference between indoor units		15 m

DIMENSIONS & WEIGHT

Width	1.120 mm
Height	1.558 mm
Depth	528 mm
Weight	144 kg



INSTALLATION



Amazon Unitario III Front Air Discharge

KMF-280 DN4

PRODUCT SHEET



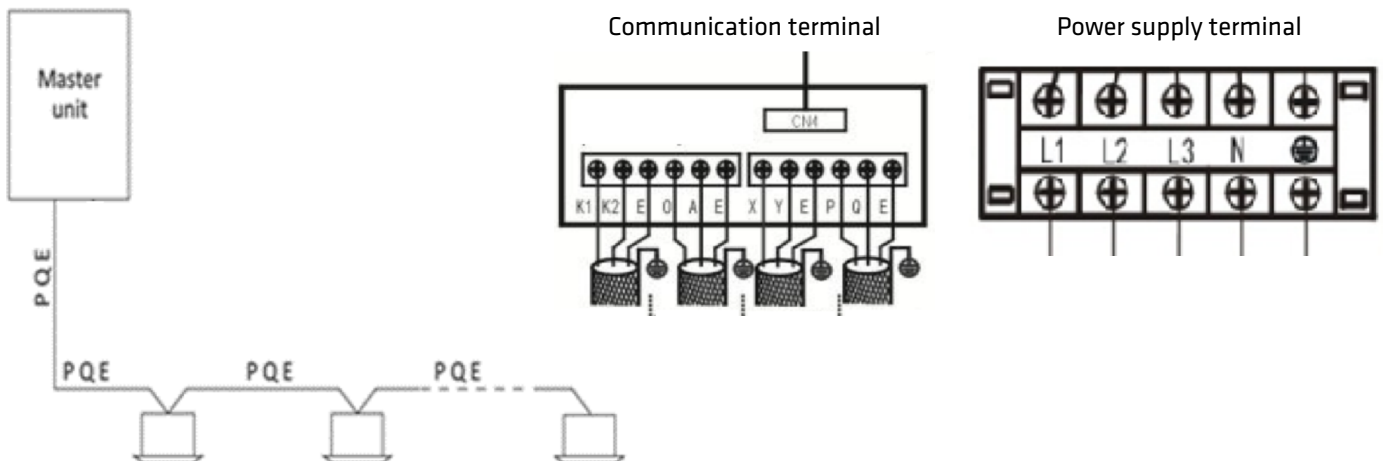
Product certified by:



FEATURES

Model	KMF-280 DN4
Max. indoor units	24
Cooling capacity	28,50 kW
Cooling power input	12.280 W
Heating capacity	31,50 kW
Heating power input	7.410 W
SEER / SCOP	6,35 / 4,60
Airflow	11.000 m ³ /h
Sound pressure	60 dB(A)
Working range (cooling/heating)	-5 ~ 48 °C / -20 ~ 24 °C
Refrigerating pipes	Ø3/8" / Ø7/8"
Refrigerant charge	6,50 kg
Power supply	380-415 V / 3 / 50 Hz
Max. input	25 A
Power wiring	(4+T)x6 mm ²
Shielded communication wiring	3x0,75 mm ²

WIRING DIAGRAM



NOTES:

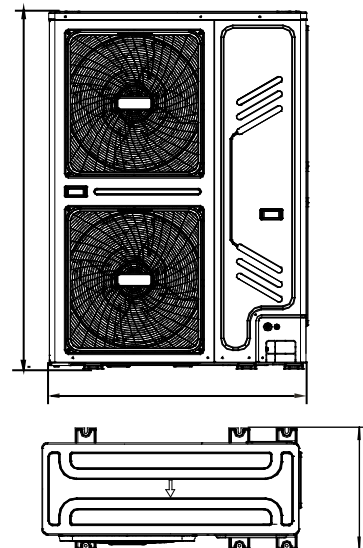
- (1) The data and specifications in this sheet are subject to change without notice.
- (2) The images in this sheet are for guidance only and may be different from the actual machine.
- (3) Cooling capacity conditions: Indoor temperature 27°C DB/19°C WB; Outdoor temperature 35°C DB; Equivalent refrigerant piping length 7.5 m with zero level difference; Data calculated with Cassette type indoor unit. Heating capacity conditions: Indoor temperature 20°C DB; Outdoor temperature 7°C DB/6°C WB; Equivalent refrigerant piping length 7.5 m with zero level difference; Data calculated with Cassette type indoor unit.
- (4) Sound pressure level is measured at a position 1 m in front of the unit and 1 m above the floor in a semi-anechoic chamber.

PIPELINE LENGTH

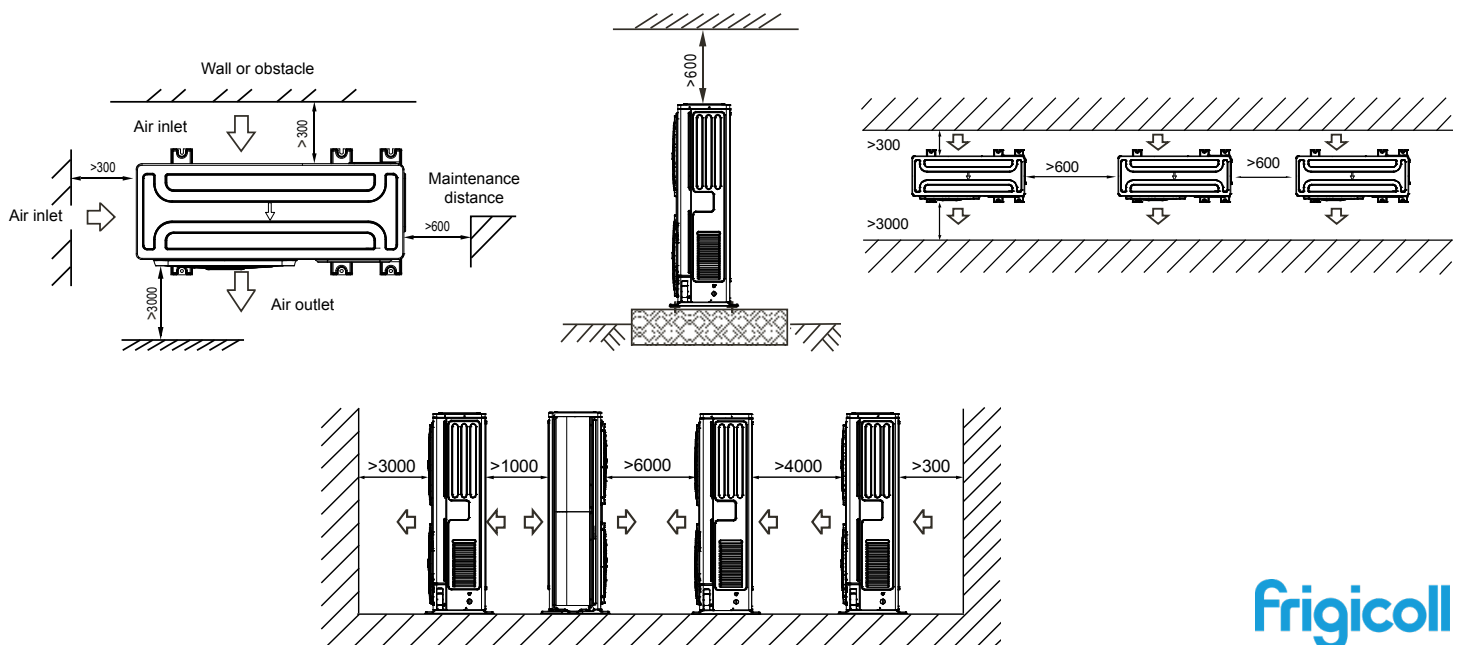
Max. pipe length		150 m
Max. distance between outdoor unit and further indoor unit	Real	100 m
	Equivalent	110 m
From first branch joint to the further indoor unit		40 m
From first indoor unit to the closer branch		15 m
Height difference	Outdoor unit over	50 m
	Outdoor unit below	40 m
Height difference between indoor units		15 m

DIMENSIONS & WEIGHT

Width	1.120 mm
Height	1.558 mm
Depth	528 mm
Weight	144 kg



INSTALLATION



Amazon Unitario III Front Air Discharge

KMF-335 DN4

PRODUCT SHEET



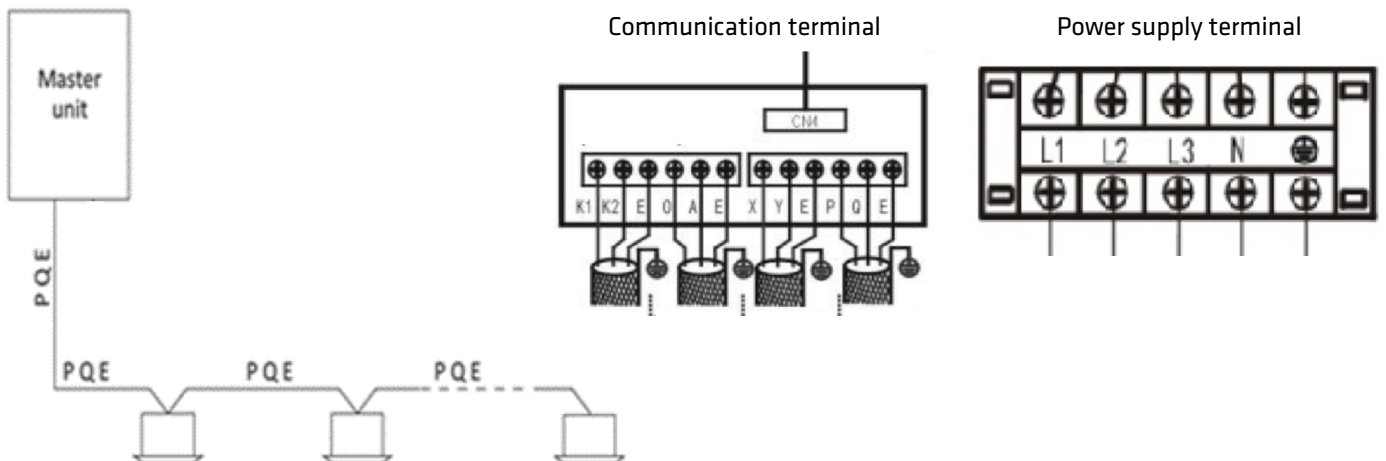
Product certified by:



FEATURES

Model	KMF-335 DN4
Max. indoor units	29
Cooling capacity	33,50 kW
Cooling power input	14.380 W
Heating capacity	37,50 kW
Heating power input	9.080 W
SEER / SCOP	6,42 / 3,96
Airflow	11.300 m ³ /h
Sound pressure	61 dB(A)
Working range (cooling/heating)	-5 ~ 48 °C / -20 ~ 24 °C
Refrigerating pipes	Ø1/2" / Ø1"
Refrigerant charge	8 kg
Power supply	380-415 V / 3 / 50 Hz
Max. input	32 A
Power wiring	(4+T)x10 mm ²
Shielded communication wiring	3x0,75 mm ²

WIRING DIAGRAM



NOTES:

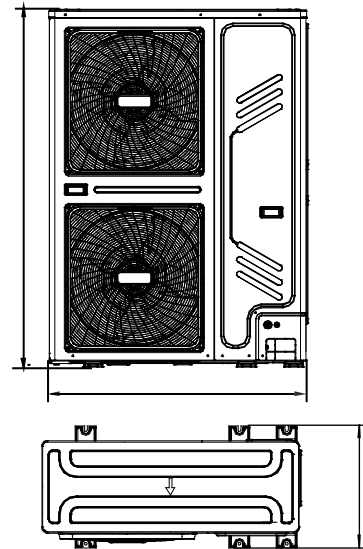
- (1) The data and specifications in this sheet are subject to change without notice.
- (2) The images in this sheet are for guidance only and may be different from the actual machine.
- (3) Cooling capacity conditions: Indoor temperature 27°C DB/19°C WB; Outdoor temperature 35°C DB; Equivalent refrigerant piping length 7.5 m with zero level difference; Data calculated with Cassette type indoor unit. Heating capacity conditions: Indoor temperature 20°C DB; Outdoor temperature 7°C DB/6°C WB; Equivalent refrigerant piping length 7.5 m with zero level difference; Data calculated with Cassette type indoor unit.
- (4) Sound pressure level is measured at a position 1 m in front of the unit and 1 m above the floor in a semi-anechoic chamber.

PIPELINE LENGTH

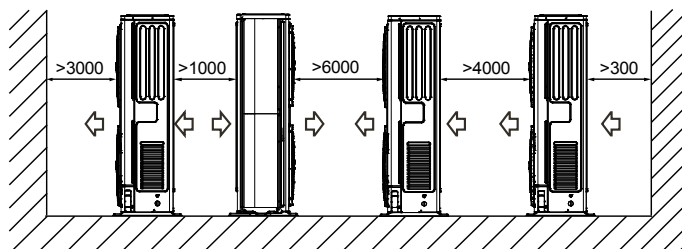
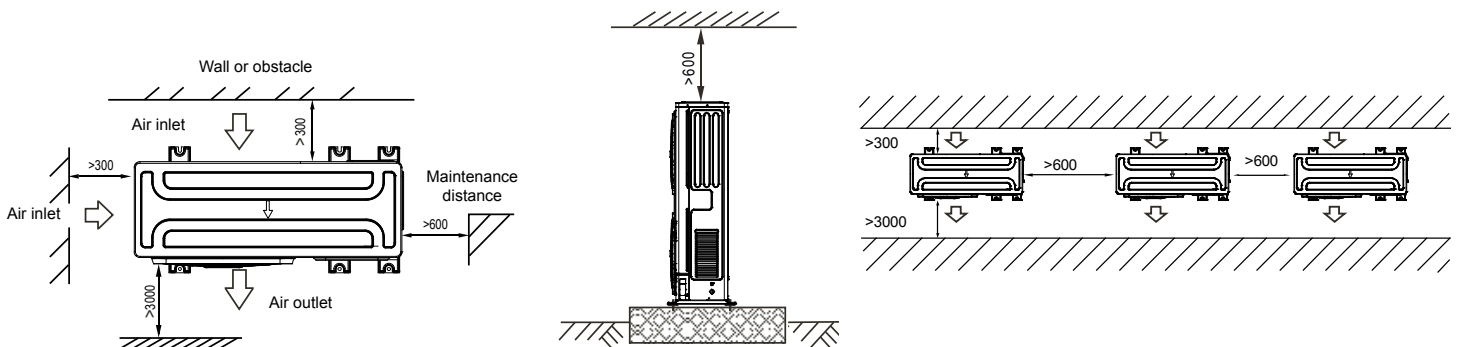
Max. pipe length		150 m
Max. distance between outdoor unit and further indoor unit	Real	100 m
	Equivalent	110 m
From first branch joint to the further indoor unit		40 m
From first indoor unit to the closer branch		15 m
Height difference	Outdoor unit over	50 m
	Outdoor unit below	40 m
Height difference between indoor units		15 m

DIMENSIONS & WEIGHT

Width	1.120 mm
Height	1.558 mm
Depth	528 mm
Weight	157 kg



INSTALLATION



Amazon Unitario III Front Air Discharge

KMF-400 DN3

PRODUCT SHEET



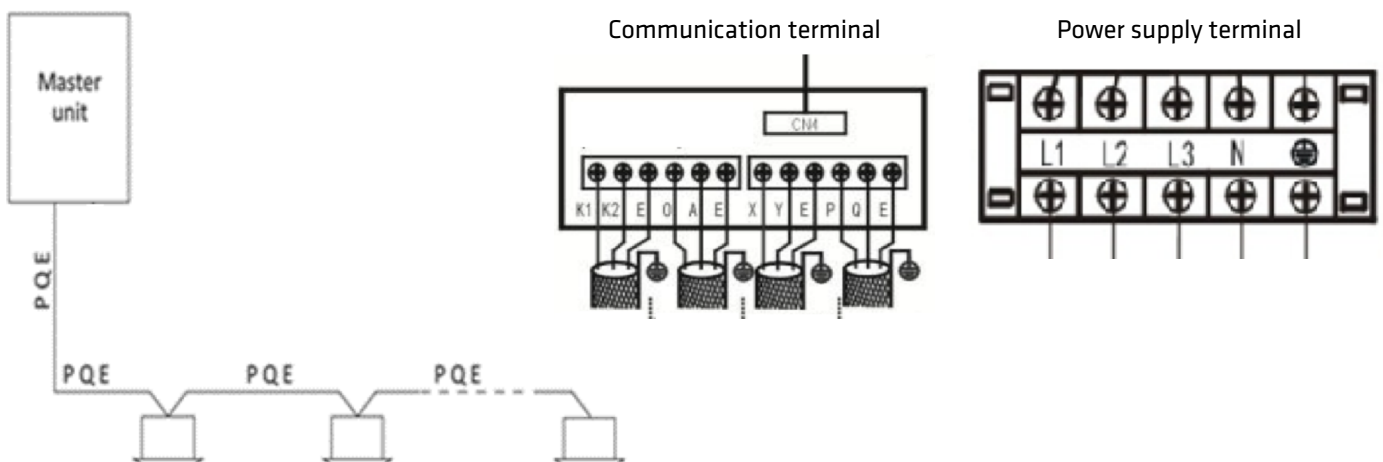
Product certified by:



FEATURES

Model	KMF-400 DN3
Max. indoor units	35
Cooling capacity	40 kW
Cooling power input	19.420 W
Heating capacity	40 kW
Heating power input	14.960 W
SEER / SCOP	5,60 / 3,70
Airflow	16.575 m ³ /h
Sound pressure	62 dB(A)
Working range (cooling/heating)	-5°C ~ 48°C / -15°C ~ 24°C
Refrigerating pipes	Ø1/2" / Ø7/8"
Refrigerant charge	9 kg
Power supply	380-415 V / 3 / 50 Hz
Max. input	60 A
Power wiring	(4+T)x10 mm ²
Shielded communication wiring	3x1,50 mm ²

WIRING DIAGRAM



NOTES:

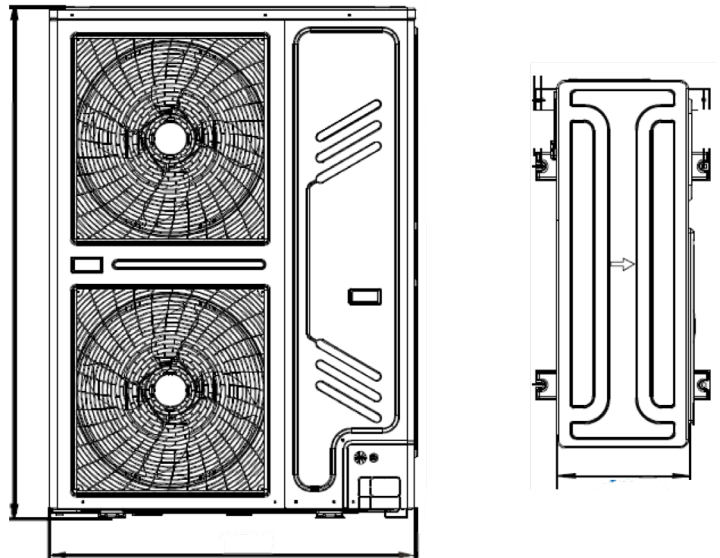
- (1) The data and specifications in this sheet are subject to change without notice.
- (2) The images in this sheet are for guidance only and may be different from the actual machine.
- (3) Cooling capacity conditions: Indoor temperature 27°C DB/19°C WB; Outdoor temperature 35°C DB; Equivalent refrigerant piping length 7.5 m with zero level difference; Data calculated with Cassette type indoor unit. Heating capacity conditions: Indoor temperature 20°C DB; Outdoor temperature 7°C DB/6°C WB; Equivalent refrigerant piping length 7.5 m with zero level difference; Data calculated with Cassette type indoor unit.
- (4) Sound pressure level is measured at a position 1 m in front of the unit and 1 m above the floor in a semi-anechoic chamber.

PIPELINE LENGTH

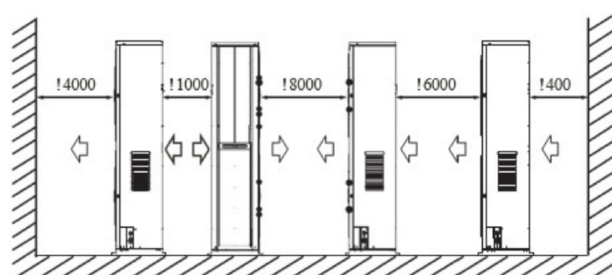
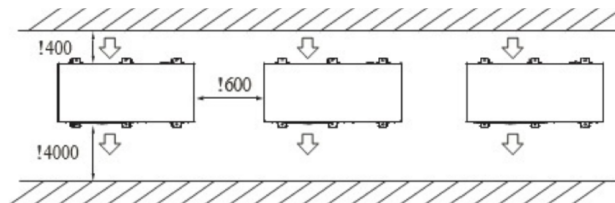
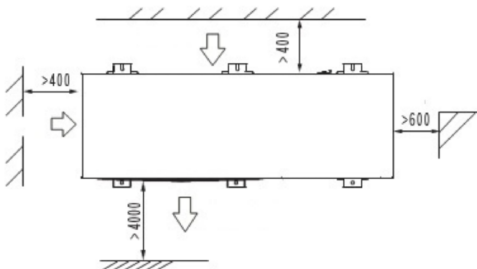
Max. pipe length		250 m
Max. distance between outdoor unit and further indoor unit	Real	100 m
	Equivalent	120 m
From first branch joint to the further indoor unit		40 m
Height difference	Outdoor unit over	15 m
	Outdoor unit below	20 m
Height difference between indoor units		8 m

DIMENSIONS & WEIGHT

Width	1.360 mm
Height	1.650 mm
Depth	540 mm
Weight	250 kg



INSTALLATION



Amazon Unitario III Front Air Discharge

KMF-450 DN3

PRODUCT SHEET



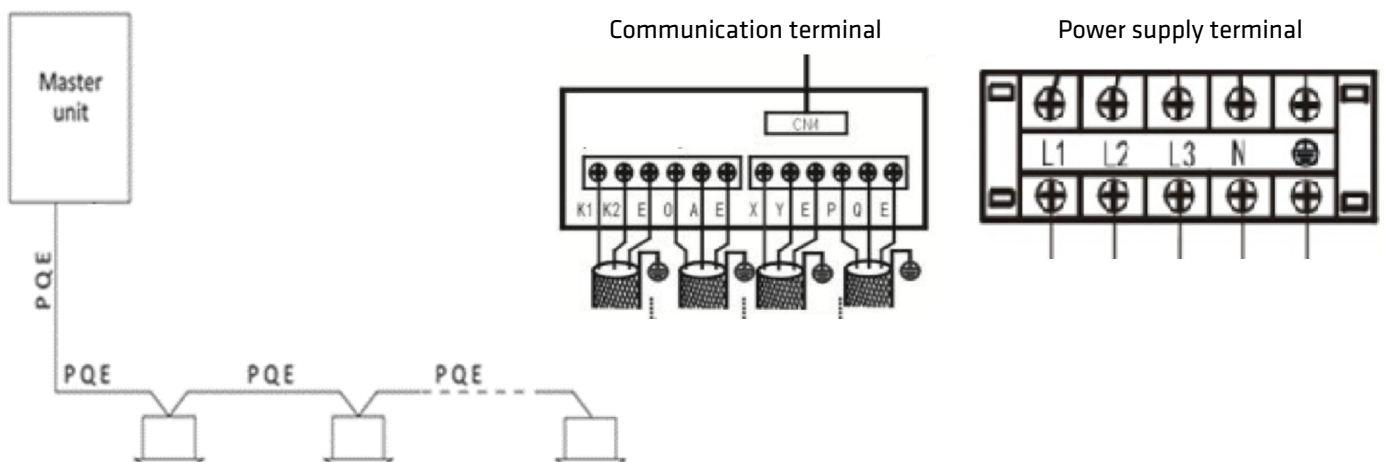
Product certified by:



FEATURES

Model	KMF-450 DN3
Max. indoor units	39
Cooling capacity	45 kW
Cooling power input	19.650 W
Heating capacity	45 kW
Heating power input	15.300 W
SEER / SCOP	5,10 / 3,60
Airflow	16.575 m ³ /h
Sound pressure	62 dB(A)
Working range (cooling/heating)	-5°C ~ 48°C / -15°C ~ 24°C
Refrigerating pipes	Ø1/2" / Ø1"
Refrigerant charge	12 kg
Power supply	380-415 V / 3 / 50 Hz
Max. input	60 A
Power wiring	(4+T)x16 mm ²
Shielded communication wiring	3x1,50 mm ²

WIRING DIAGRAM



NOTES:

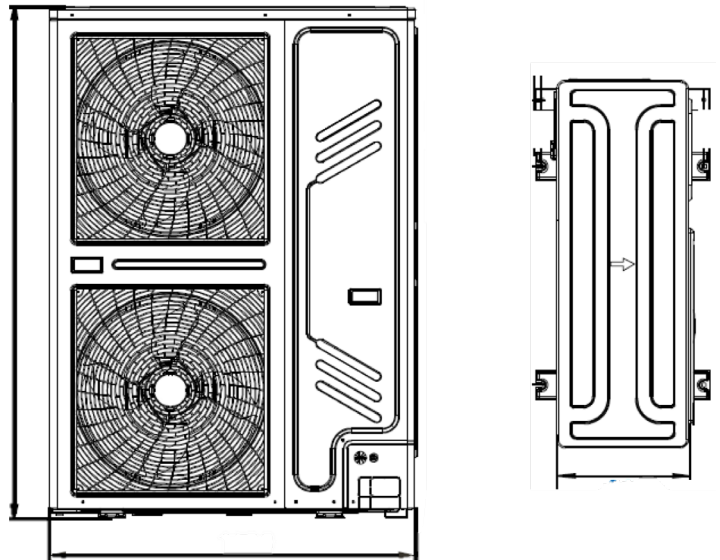
- (1) The data and specifications in this sheet are subject to change without notice.
- (2) The images in this sheet are for guidance only and may be different from the actual machine.
- (3) Cooling capacity conditions: Indoor temperature 27°C DB/19°C WB; Outdoor temperature 35°C DB; Equivalent refrigerant piping length 7.5 m with zero level difference; Data calculated with Cassette type indoor unit. Heating capacity conditions: Indoor temperature 20°C DB; Outdoor temperature 7°C DB/6°C WB; Equivalent refrigerant piping length 7.5 m with zero level difference; Data calculated with Cassette type indoor unit.
- (4) Sound pressure level is measured at a position 1 m in front of the unit and 1 m above the floor in a semi-anechoic chamber.

PIPELINE LENGTH

Max. pipe length		250 m
Max. distance between outdoor unit and further indoor unit	Real	100 m
	Equivalent	120 m
From first branch joint to the further indoor unit		40 m
Height difference	Outdoor unit over	15 m
	Outdoor unit below	20 m
Height difference between indoor units		8 m

DIMENSIONS & WEIGHT

Width	1.460 mm
Height	1.650 mm
Depth	540 mm
Weight	280 kg



INSTALLATION

