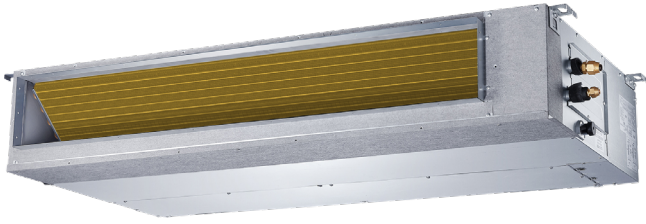
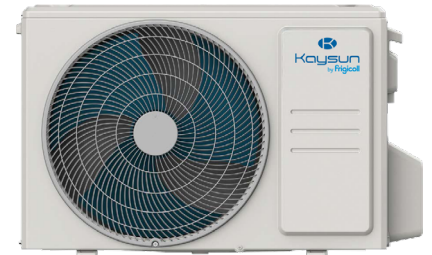


# Ducts

# PRODUCT SHEET



KCT-04 SPSWF  
Recommended controller



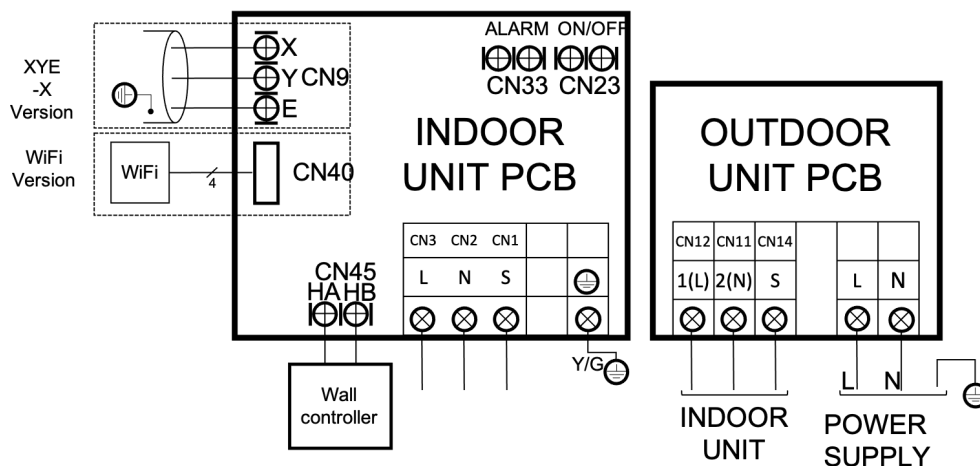
Product certified by:



## FEATURES

Model	KPDA-35 DVR13 / KPDA-35 DVR13-X
Cooling capacity	3,52 kW
Cooling power input	1.053 W
Heating capacity	3,81 kW
Heating power input	1.038 W
ErP Classification cold/heat	A++ / A+
Airflow (indoor)	350/500/660 m <sup>3</sup> /h
Max. static pressure	60 Pa
Sound pressure (indoor)	29,80/33,50/36 dB(A)
Airflow (outdoor)	2.200 m <sup>3</sup> /h
Sound pressure (outdoor)	53,60 dB(A)
Power supply	220-240 V / 1 / 50 Hz
Max. input	9 A
Power wiring (indoor)	With communication
Power wiring (outdoor)	(2+T)x1,50 mm <sup>2</sup>
Communication wiring	(3+T)x1 mm <sup>2</sup>

## WIRING DIAGRAM

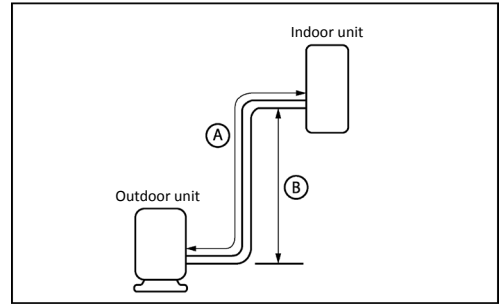


NOTES:

- (1) The data and specifications present in this sheet may vary without notice.
- (2) The images on this sheet are indicative and may be different from the final machine.

## COOLING CONNECTION

Model	KPDA-35 DVR13 / KPDA-35 DVR13-X	
Refrigerating pipes	Ø1/4" / Ø3/8"	
Refrigerant charge / Additional charge	0,72 kg / 0,012 kg	
Indoor drain pipe	Ø25 mm	
Max. pipe length (A)	25 m	
Max. level difference (B)	10 m	

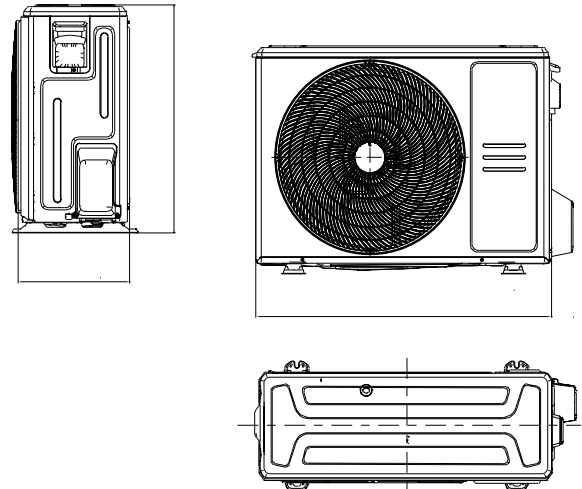
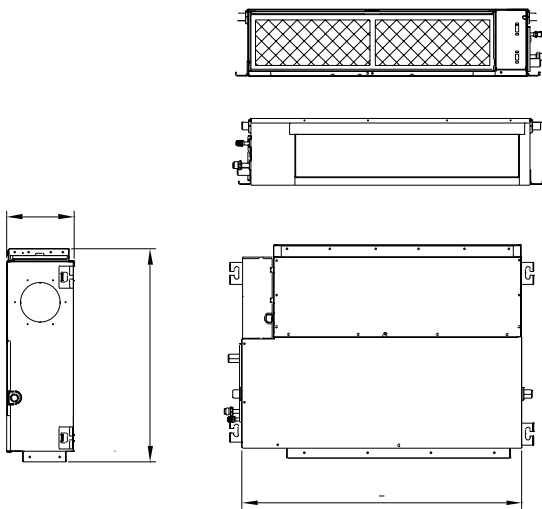


## DIMENSIONS & WEIGHT INDOOR

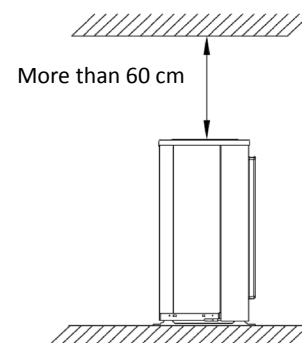
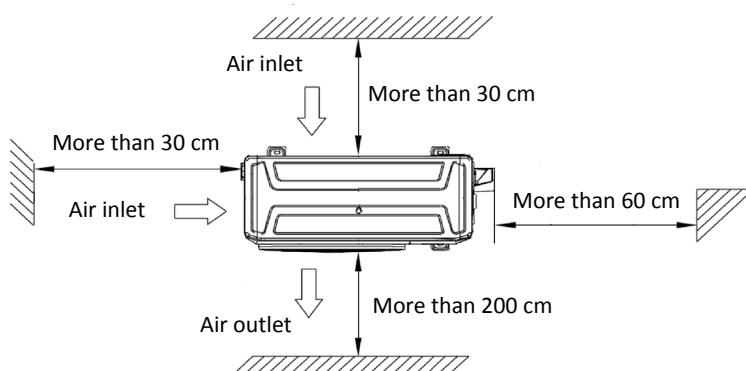
Model	KPD-35 DR13 / KPD-35 DR13-X
Width	700 mm
Height	200 mm
Depth	506 mm
Weight	17,80 kg

## DIMENSIONS & WEIGHT OUTDOOR

Model	KUE-35 DVR13
Width	765 mm
Height	555 mm
Depth	303 mm
Weight	26,60 kg

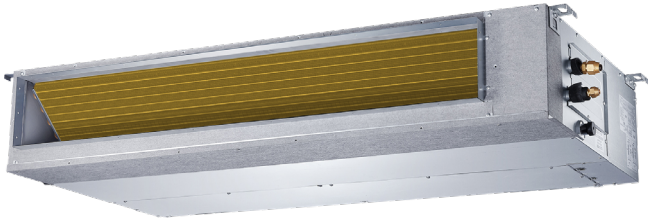


## INSTALLATION

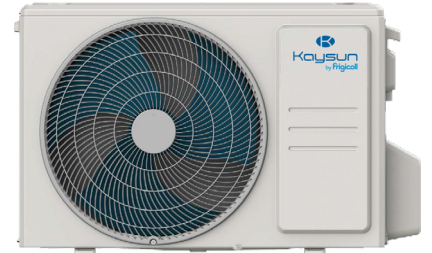


# Ducts

# PRODUCT SHEET



KCT-04 SPSWF  
Recommended controller



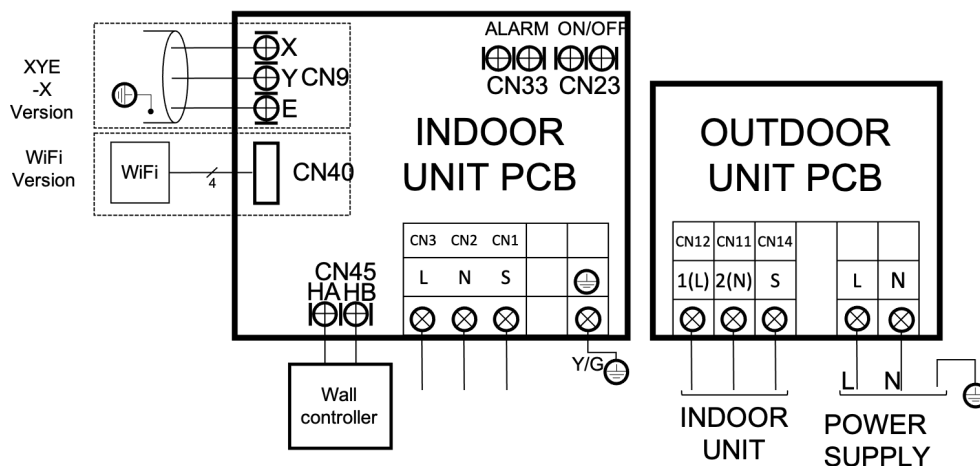
Product certified by:



## FEATURES

Model	KPDA-52 DVR13 / KPDA-52 DVR13-X
Cooling capacity	5,28 kW
Cooling power input	1.530 W
Heating capacity	5,57 kW
Heating power input	1.510 W
ErP Classification cold/heat	A++ / A+
Airflow (indoor)	420/670/870 m <sup>3</sup> /h
Max. static pressure	100 Pa
Sound pressure (indoor)	26/29,80/35 dB(A)
Airflow (outdoor)	2.100 m <sup>3</sup> /h
Sound pressure (outdoor)	56 dB(A)
Power supply	220-240 V / 1 / 50 Hz
Max. input	13,50 A
Power wiring (indoor)	With communication
Power wiring (outdoor)	(2+T)x1,50 mm <sup>2</sup>
Communication wiring	(3+T)x1 mm <sup>2</sup>

## WIRING DIAGRAM

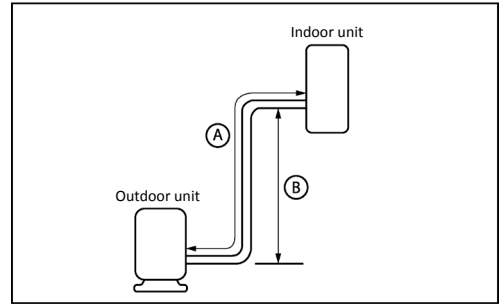


NOTES:

- (1) The data and specifications present in this sheet may vary without notice.
- (2) The images on this sheet are indicative and may be different from the final machine.

## COOLING CONNECTION

Model	KPDA-52 DVR13 / KPDA-52 DVR13-X	
Refrigerating pipes	Ø1/4" / Ø1/2"	
Refrigerant charge / Additional charge	1,15 kg / 0,012 kg	
Indoor drain pipe	Ø25 mm	
Max. pipe length (A)	30 m	
Max. level difference (B)	20 m	

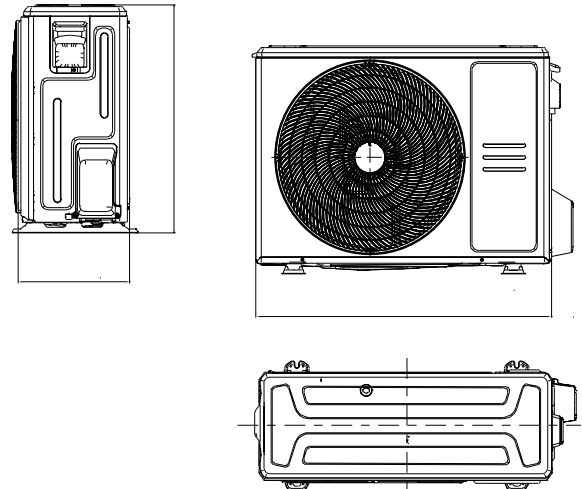
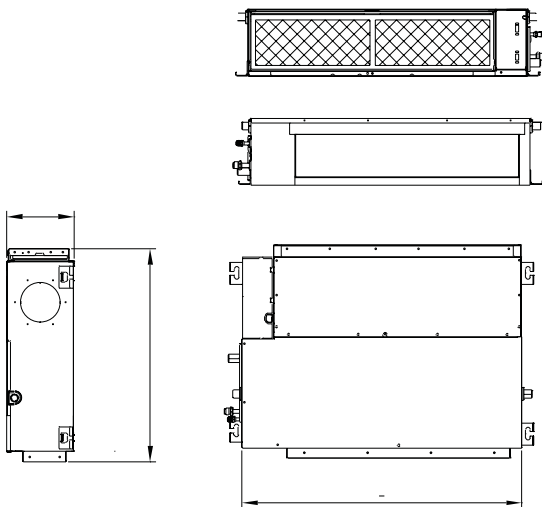


## DIMENSIONS & WEIGHT INDOOR

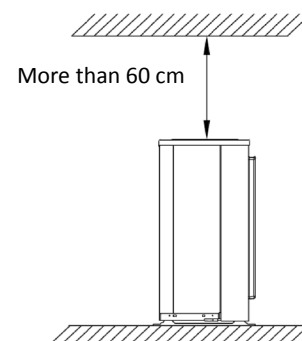
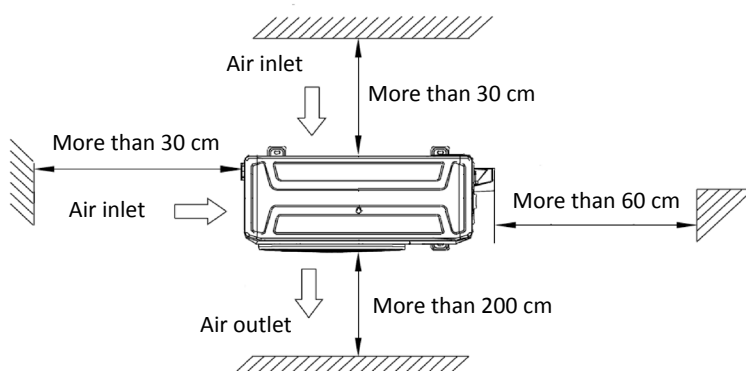
Model	KPD-52 DR13 / KPD-52 DR13-X
Width	880 mm
Height	210 mm
Depth	674 mm
Weight	24,40 kg

## DIMENSIONS & WEIGHT OUTDOOR

Model	KUE-52 DVR13
Width	805 mm
Height	554 mm
Depth	330 mm
Weight	32,50 kg

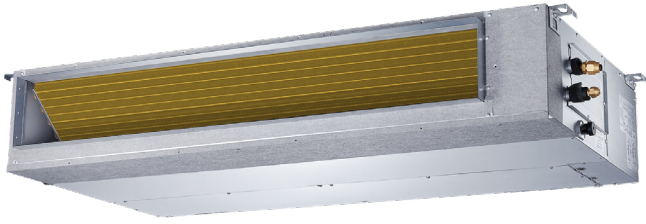


## INSTALLATION

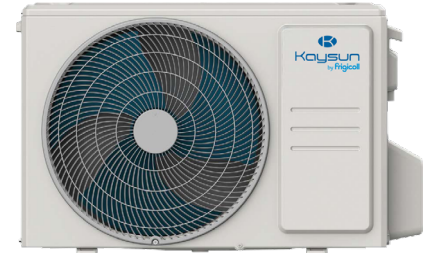


# Ducts

# PRODUCT SHEET



KCT-04 SPSWF  
Recommended controller



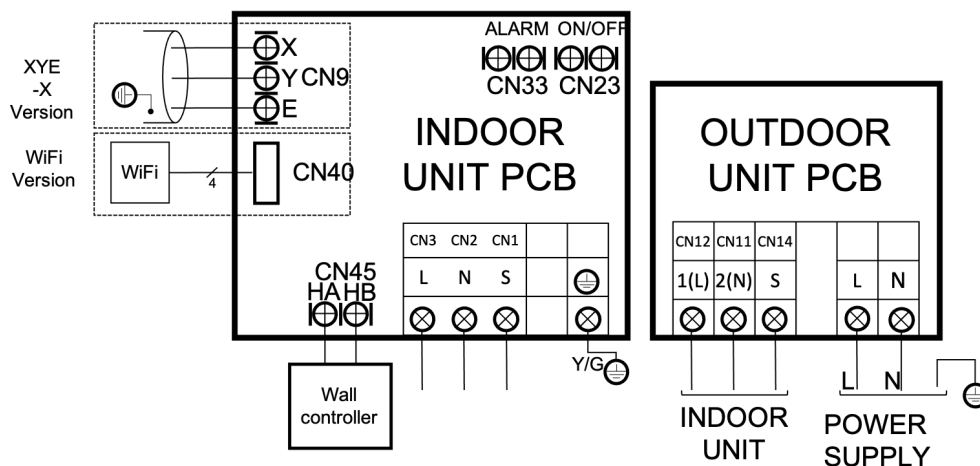
Product certified by:



## FEATURES

Model	KPDA-71 DVR13 / KPDA-71 DVR13-X
Cooling capacity	7,03 kW
Cooling power input	2.190 W
Heating capacity	7,62 kW
Heating power input	1.900 W
ErP Classification cold/heat	A++ / A+
Airflow (indoor)	610/930/1.200 m <sup>3</sup> /h
Max. static pressure	160 Pa
Sound pressure (indoor)	25,50/29,10/32,80 dB(A)
Airflow (outdoor)	3.500 m <sup>3</sup> /h
Sound pressure (outdoor)	60 dB(A)
Power supply	220-240 V / 1 / 50 Hz
Max. input	19 A
Power wiring (indoor)	With communication
Power wiring (outdoor)	(2+T)x2,50 mm <sup>2</sup>
Communication wiring	(3+T)x1 mm <sup>2</sup>

## WIRING DIAGRAM

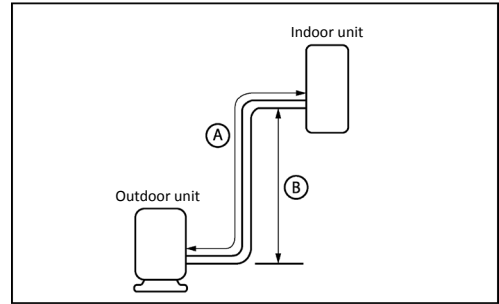


NOTES:

- (1) The data and specifications present in this sheet may vary without notice.
- (2) The images on this sheet are indicative and may be different from the final machine.

## COOLING CONNECTION

Model	KPDA-71 DVR13 / KPDA-71 DVR13-X	
Refrigerating pipes	Ø3/8" / Ø5/8"	
Refrigerant charge / Additional charge	1,50 kg / 0,024 kg	
Indoor drain pipe	Ø25 mm	
Max. pipe length (A)	50 m	
Max. level difference (B)	25 m	

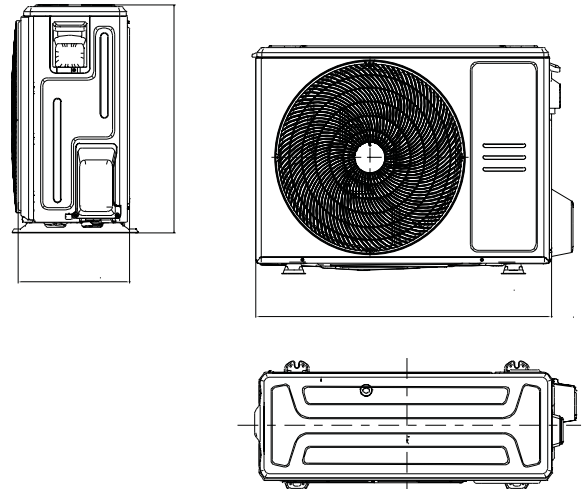
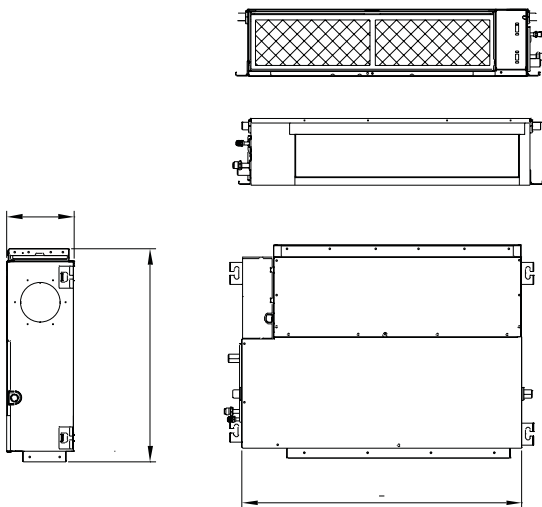


## DIMENSIONS & WEIGHT INDOOR

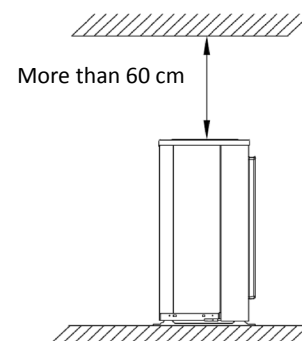
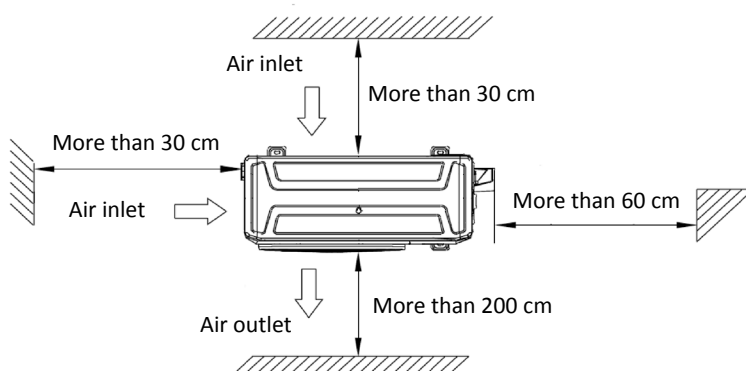
Model	KPD-71 DR13 / KPD-71 DR13-X
Width	1.100 mm
Height	249 mm
Depth	774 mm
Weight	32,30 kg

## DIMENSIONS & WEIGHT OUTDOOR

Model	KUE-71 DVR13
Width	890 mm
Height	673 mm
Depth	342 mm
Weight	43,90 kg

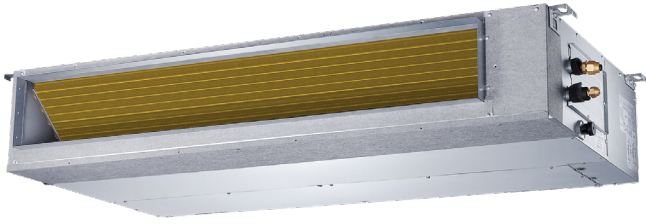


## INSTALLATION

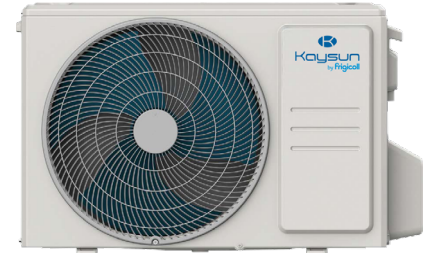


# Ducts

# PRODUCT SHEET



KCT-04 SPSWF  
Recommended controller



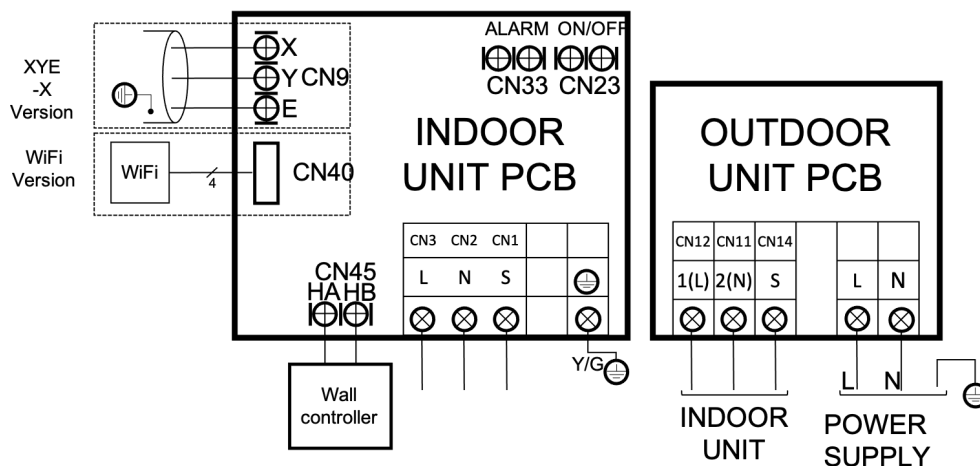
Product certified by:



## FEATURES

Model	KPDA-90 DVR13 / KPDA-90 DVR13-X
Cooling capacity	8,79 kW
Cooling power input	2.500 W
Heating capacity	9,38 kW
Heating power input	2.250 W
ErP Classification cold/heat	A++ / A+
Airflow (indoor)	1.560/1.780/2.060 m <sup>3</sup> /h
Max. static pressure	160 Pa
Sound pressure (indoor)	34,30/36,70/39,20 dB(A)
Airflow (outdoor)	3.800 m <sup>3</sup> /h
Sound pressure (outdoor)	62 dB(A)
Power supply	220-240 V / 1 / 50 Hz
Max. input	20 A
Power wiring (indoor)	With communication
Power wiring (outdoor)	(2+T)x2,50 mm <sup>2</sup>
Communication wiring	(3+T)x1 mm <sup>2</sup>

## WIRING DIAGRAM

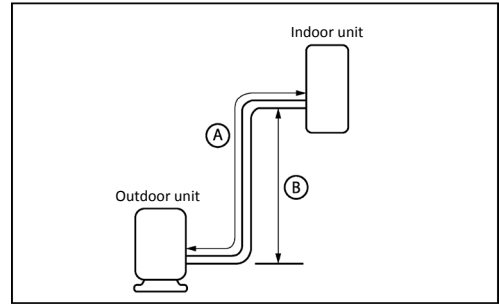


NOTES:

- (1) The data and specifications present in this sheet may vary without notice.
- (2) The images on this sheet are indicative and may be different from the final machine.

## COOLING CONNECTION

Model	KPDA-90 DVR13 / KPDA-90 DVR13-X	
Refrigerating pipes	Ø3/8" / Ø5/8"	
Refrigerant charge / Additional charge	2 kg / 0,024 kg	
Indoor drain pipe	Ø25 mm	
Max. pipe length (A)	50 m	
Max. level difference (B)	25 m	

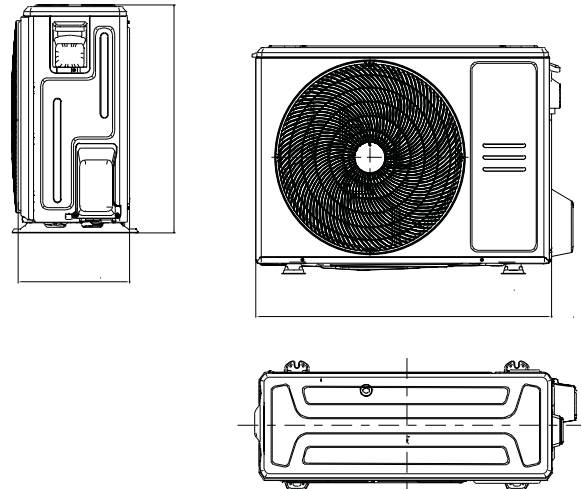
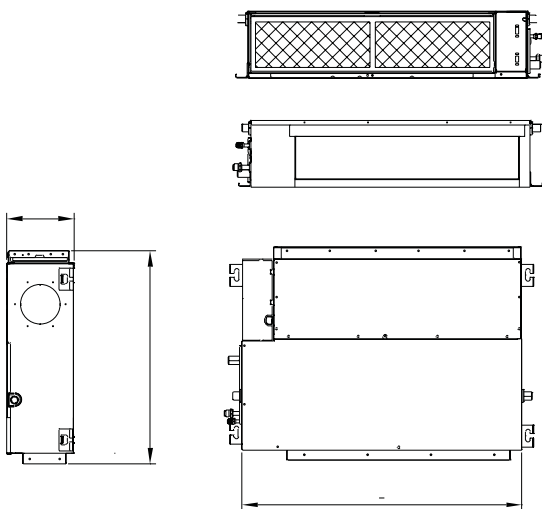


## DIMENSIONS & WEIGHT INDOOR

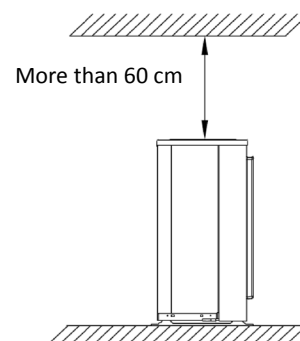
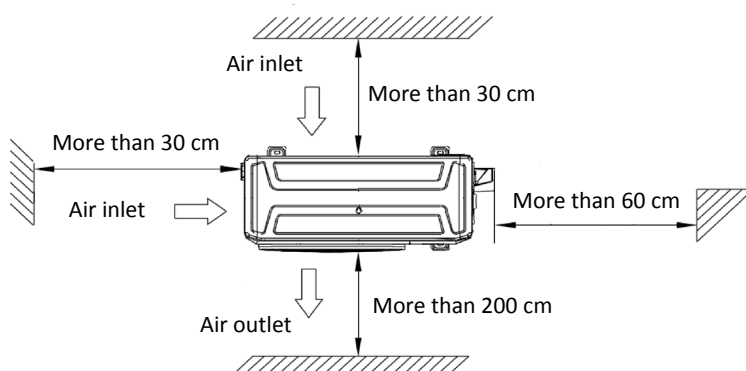
Model	KPD-90 DR13 / KPD-90 DR13-X
Width	1.260 mm
Height	249 mm
Depth	774 mm
Weight	40,50 kg

## DIMENSIONS & WEIGHT OUTDOOR

Model	KUE-90 DVR13
Width	946 mm
Height	810 mm
Depth	410 mm
Weight	52,80 kg

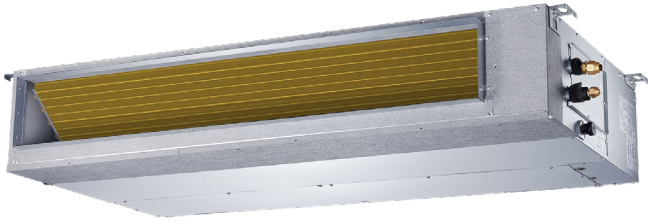


## INSTALLATION

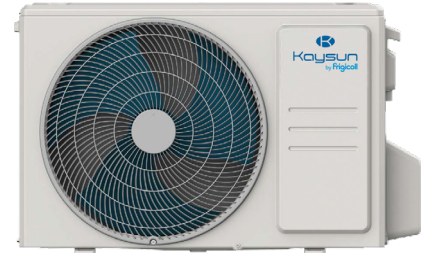


# Ducts

# PRODUCT SHEET



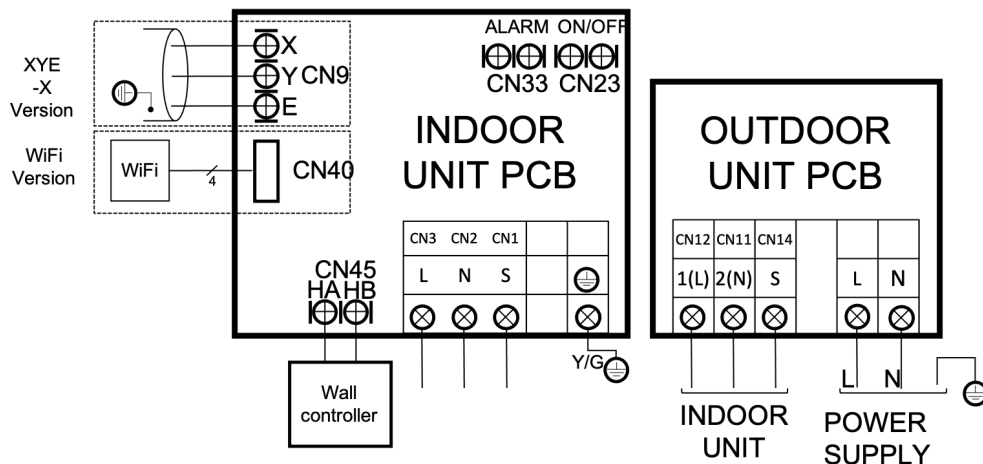
KCT-04 SPSWF  
Recommended controller



## FEATURES

Model	KPDA-90(140) DVR13 / KPDA-90(140) DVR13-X
Cooling capacity	8,79 kW
Cooling power input	2.500 W
Heating capacity	9,38 kW
Heating power input	2.250 W
ErP Classification cold/heat	A++ / A+
Airflow (indoor)	2.120/2.350/2.600 m <sup>3</sup> /h
Max. static pressure	160 Pa
Sound pressure (indoor)	35,40/38,30/41,80 dB(A)
Airflow (outdoor)	3.800 m <sup>3</sup> /h
Sound pressure (outdoor)	62 dB(A)
Power supply	220-240 V / 1 / 50 Hz
Max. input	20 A
Power wiring (indoor)	With communication
Power wiring (outdoor)	(2+T)x2,50 mm <sup>2</sup>
Communication wiring	(3+T)x1 mm <sup>2</sup>

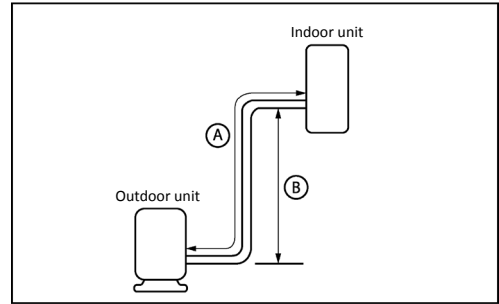
## WIRING DIAGRAM



NOTES:  
 (1) The data and specifications present in this sheet may vary without notice.  
 (2) The images on this sheet are indicative and may be different from the final machine.

## COOLING CONNECTION

Model	KPDA-90(140) DVR13 / KPDA-90(140) DVR13-X	
Refrigerating pipes	Ø3/8" / Ø5/8"	
Refrigerant charge / Additional charge	2 kg / 0,024 kg	
Indoor drain pipe	Ø25 mm	
Max. pipe length (A)	50 m	
Max. level difference (B)	25 m	

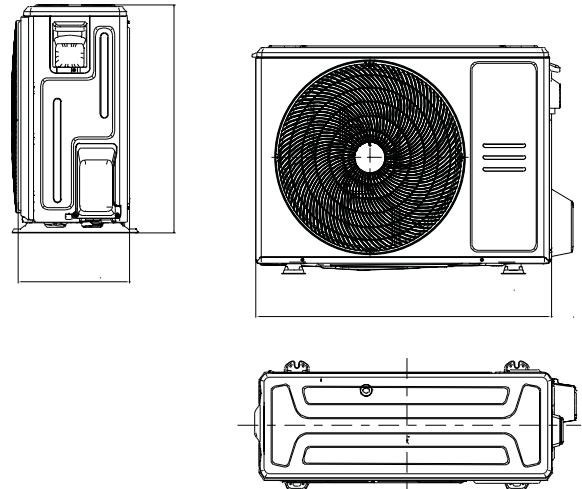
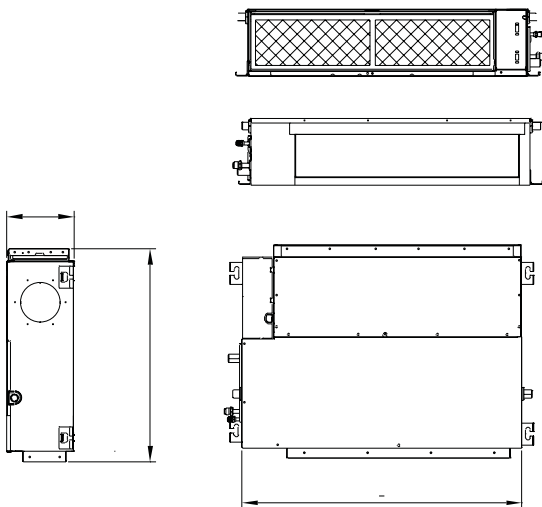


## DIMENSIONS & WEIGHT INDOOR

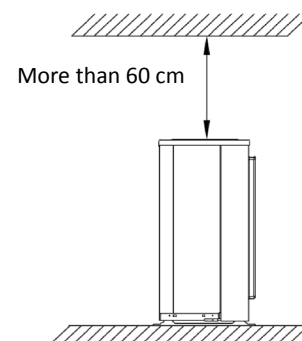
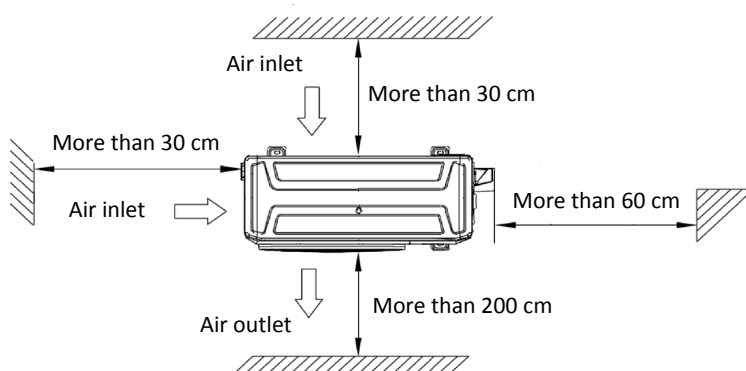
Model	KPD-140 DR13 / KPD-140 DR13-X
Width	1.200 mm
Height	300 mm
Depth	874 mm
Weight	47,60 kg

## DIMENSIONS & WEIGHT OUTDOOR

Model	KUE-90 DVR13
Width	946 mm
Height	810 mm
Depth	410 mm
Weight	52,80 kg

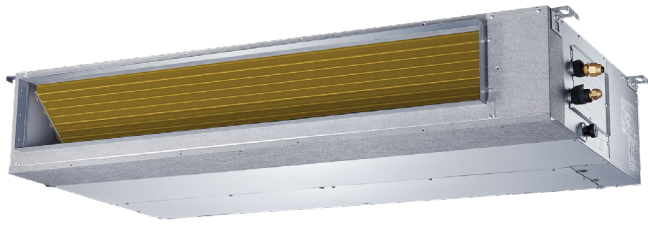


## INSTALLATION



# Ducts

# PRODUCT SHEET



**KCT-04 SPSWF**  
Recommended controller



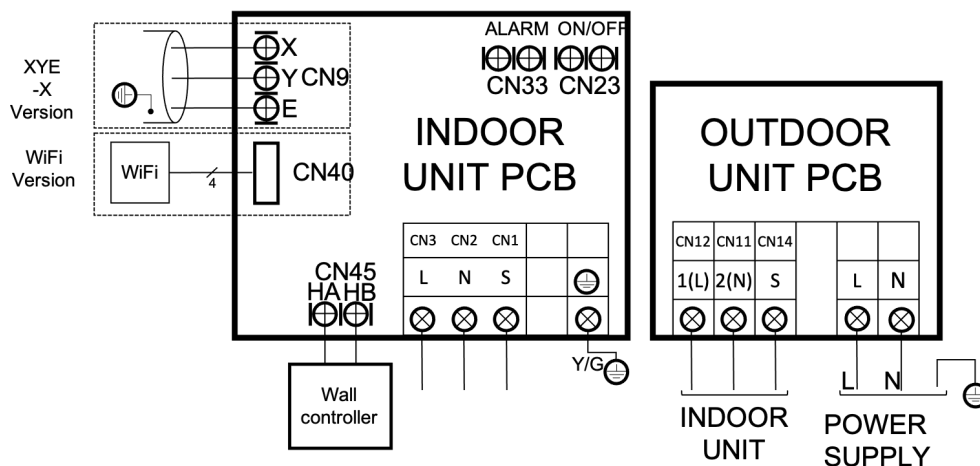
Product certified by:



## FEATURES

Model	KPDA-105 DVR13 / KPDA-105 DVR13-X
Cooling capacity	10,55 kW
Cooling power input	3.950 W
Heating capacity	11,72 kW
Heating power input	3.250 W
ErP Classification cold/heat	A++ / A+
Airflow (indoor)	1.560/1.780/2.060 m <sup>3</sup> /h
Max. static pressure	160 Pa
Sound pressure (indoor)	35,40/37,70/40,30 dB(A)
Airflow (outdoor)	4.000 m <sup>3</sup> /h
Sound pressure (outdoor)	63 dB(A)
Power supply	220-240 V / 1 / 50 Hz
Max. input	21,50 A
Power wiring (indoor)	With communication
Power wiring (outdoor)	(2+T)x4 mm <sup>2</sup>
Communication wiring	(3+T)x1 mm <sup>2</sup>

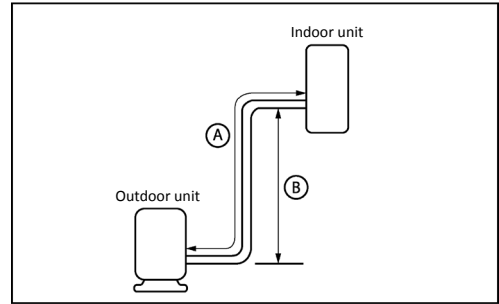
## WIRING DIAGRAM



NOTES:  
(1) The data and specifications present in this sheet may vary without notice.  
(2) The images on this sheet are indicative and may be different from the final machine.

## COOLING CONNECTION

Model	KPDA-105 DVR13 / KPDA-105 DVR13-X	
Refrigerating pipes	Ø3/8" / Ø5/8"	
Refrigerant charge / Additional charge	2,40 kg / 0,024 kg	
Indoor drain pipe	Ø25 mm	
Max. pipe length (A)	75 m	
Max. level difference (B)	30 m	

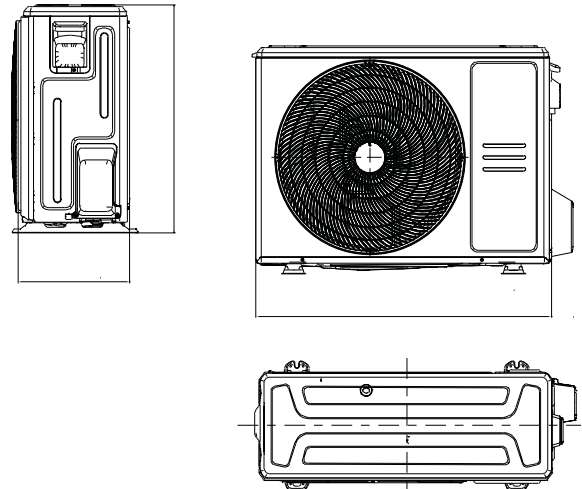
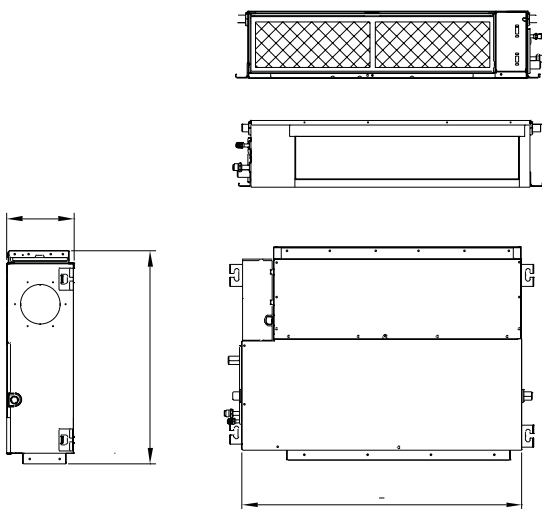


## DIMENSIONS & WEIGHT INDOOR

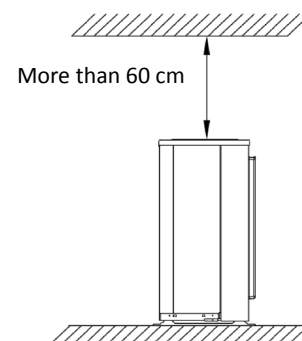
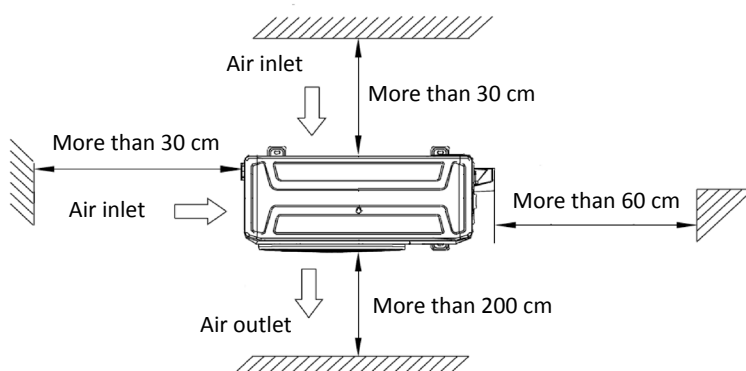
Model	KPD-105 DR13 / KPD-105 DR13-X
Width	1.360 mm
Height	249 mm
Depth	774 mm
Weight	40,50 kg

## DIMENSIONS & WEIGHT OUTDOOR

Model	KUE-105 DVR13
Width	946 mm
Height	810 mm
Depth	410 mm
Weight	66,90 kg

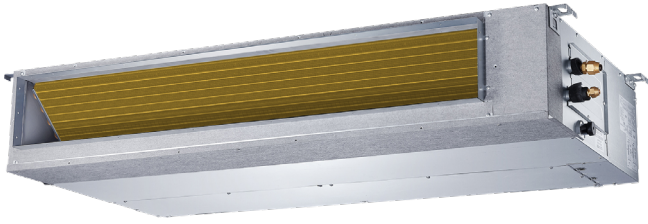


## INSTALLATION

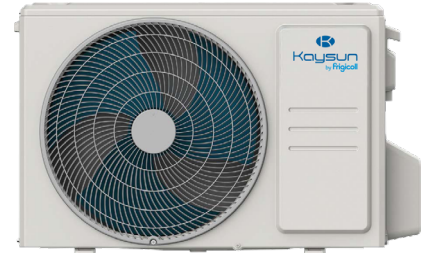


# Ducts

# PRODUCT SHEET



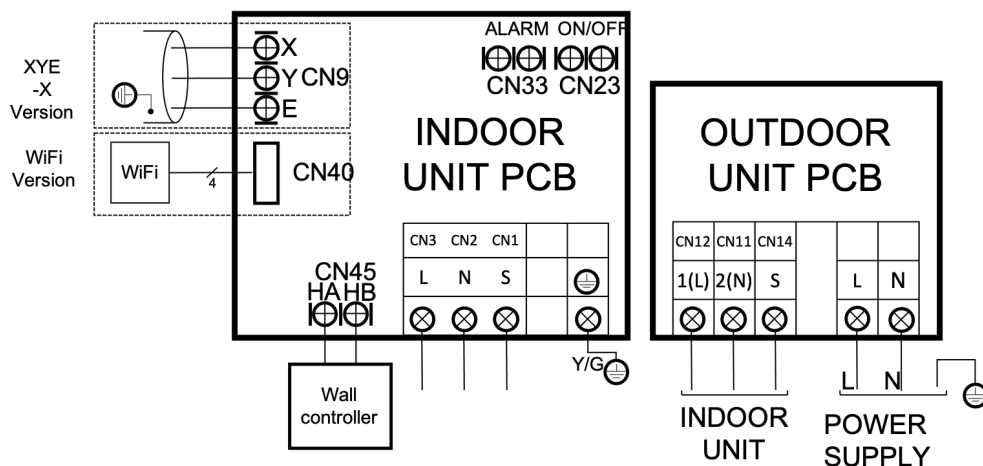
KCT-04 SPSWF  
Recommended controller



## FEATURES

Model	KPDA-105(140) DVR13 / KPDA-105(140) DVR13-X
Cooling capacity	10,55 kW
Cooling power input	2.950 W
Heating capacity	11,72 kW
Heating power input	3.250 W
ErP Classification cold/heat	A++ / A+
Airflow (indoor)	2.120/2.350/2.600 m <sup>3</sup> /h
Max. static pressure	160 Pa
Sound pressure (indoor)	35,40/38,30/41,80 dB(A)
Airflow (outdoor)	4.000 m <sup>3</sup> /h
Sound pressure (outdoor)	63 dB(A)
Power supply	220-240 V / 1 / 50 Hz
Max. input	21,50 A
Power wiring (indoor)	With communication
Power wiring (outdoor)	(2+T)x4 mm <sup>2</sup>
Communication wiring	(3+T)x1 mm <sup>2</sup>

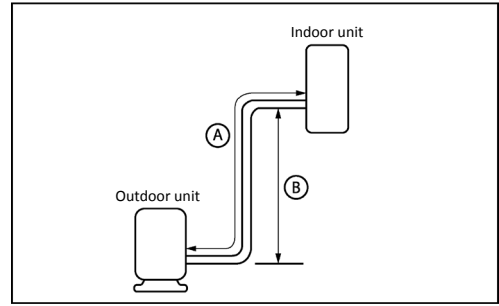
## WIRING DIAGRAM



NOTES:  
 (1) The data and specifications present in this sheet may vary without notice.  
 (2) The images on this sheet are indicative and may be different from the final machine.

## COOLING CONNECTION

Model	KPDA-105(140) DVR13 / KPDA-105(140) DVR13-X	
Refrigerating pipes	Ø3/8" / Ø5/8"	
Refrigerant charge / Additional charge	2,40 kg / 0,024 kg	
Indoor drain pipe	Ø25 mm	
Max. pipe length (A)	75 m	
Max. level difference (B)	30 m	

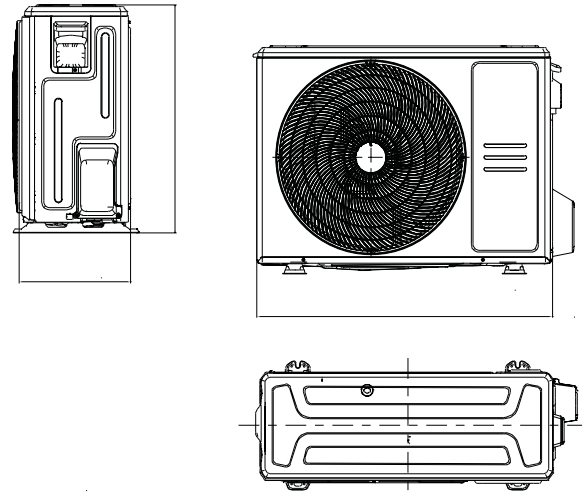
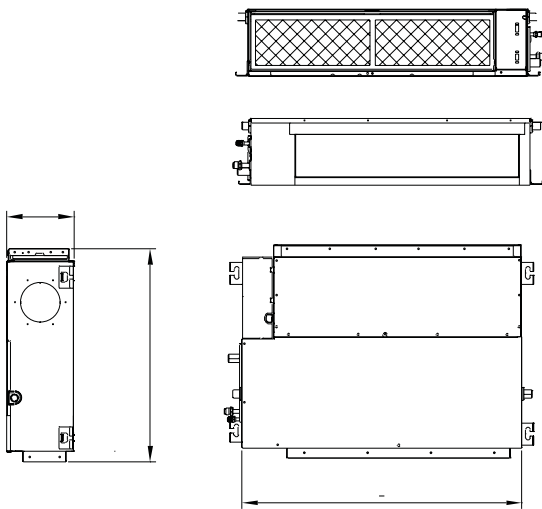


## DIMENSIONS & WEIGHT INDOOR

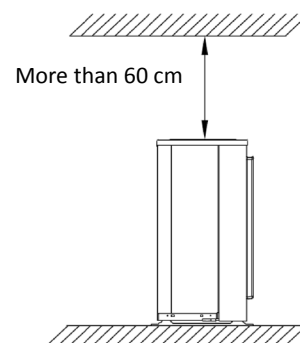
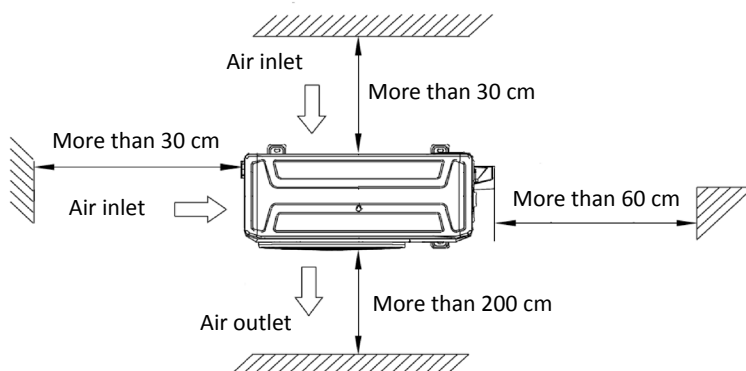
Model	KPD-140 DR13 / KPD-140 DR13-X
Width	1.200 mm
Height	300 mm
Depth	874 mm
Weight	47,60 kg

## DIMENSIONS & WEIGHT OUTDOOR

Model	KUE-105 DVR13
Width	946 mm
Height	810 mm
Depth	410 mm
Weight	66,90 kg

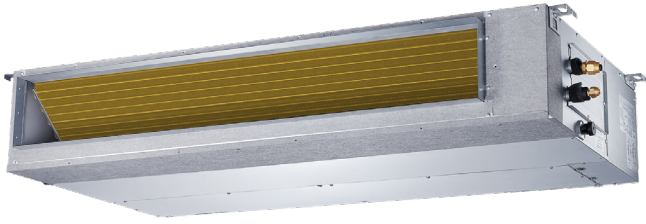


## INSTALLATION



# Ducts

# PRODUCT SHEET



KCT-04 SPSWF  
Recommended controller



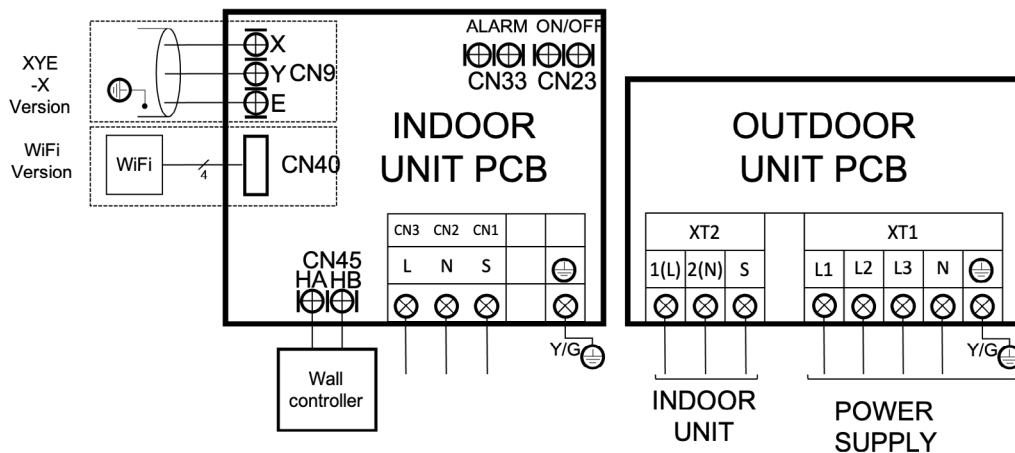
Product certified by:



## FEATURES

Model	KPDA-105 DTR13 / KPDA-105 DTR13-X
Cooling capacity	10,55 kW
Cooling power input	4.000 W
Heating capacity	11,72 kW
Heating power input	3.250 W
ErP Classification cold/heat	A++ / A+
Airflow (indoor)	1.560/1.780/2.060 m <sup>3</sup> /h
Max. static pressure	160 Pa
Sound pressure (indoor)	35,40/37,70/40,30 dB(A)
Airflow (outdoor)	4.000 m <sup>3</sup> /h
Sound pressure (outdoor)	63 dB(A)
Power supply	380-415 V / 3 / 50 Hz
Max. input	10 A
Power wiring (indoor)	With communication
Power wiring (outdoor)	(4+T)x2,50 mm <sup>2</sup>
Communication wiring	(3+T)x1 mm <sup>2</sup>

## WIRING DIAGRAM

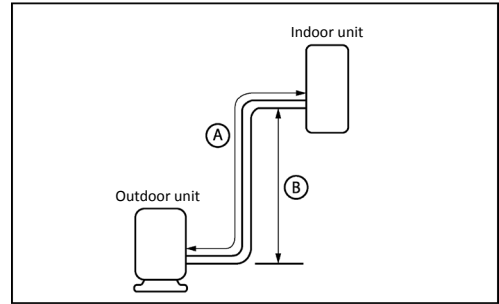


NOTES:

- (1) The data and specifications present in this sheet may vary without notice.
- (2) The images on this sheet are indicative and may be different from the final machine.

## COOLING CONNECTION

Model	KPDA-105 DTR13 / KPDA-105 DTR13-X	
Refrigerating pipes	Ø3/8" / Ø5/8"	
Refrigerant charge / Additional charge	2,40 kg / 0,024 kg	
Indoor drain pipe	Ø25 mm	
Max. pipe length (A)	75 m	
Max. level difference (B)	30 m	

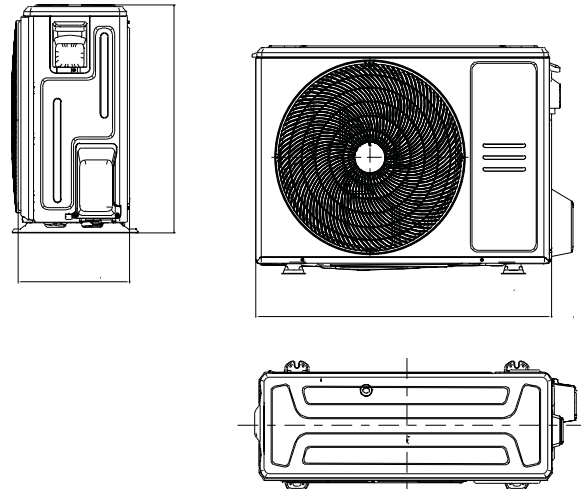
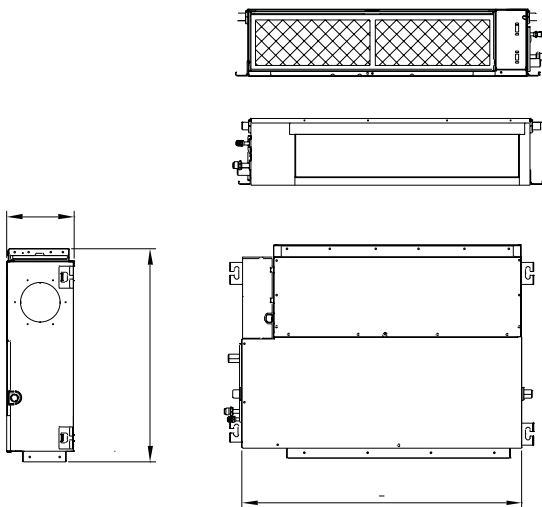


## DIMENSIONS & WEIGHT INDOOR

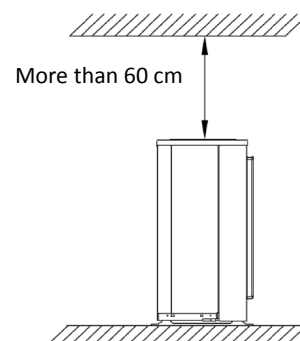
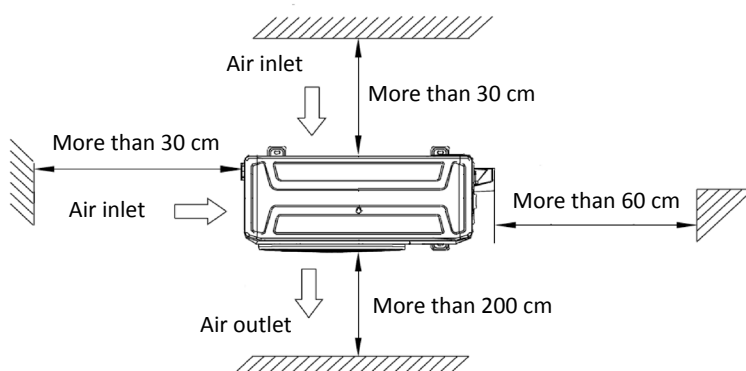
Model	KPD-105 DR13 / KPD-105 DR13-X
Width	1.360 mm
Height	249 mm
Depth	774 mm
Weight	40,50 kg

## DIMENSIONS & WEIGHT OUTDOOR

Model	KUE-105 DTR13
Width	946 mm
Height	810 mm
Depth	410 mm
Weight	80,50 kg

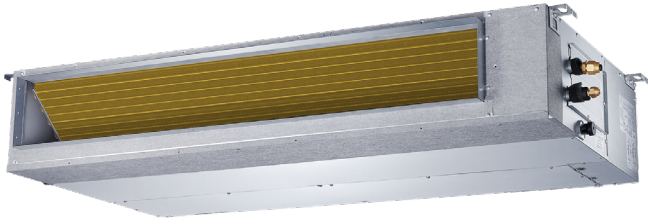


## INSTALLATION

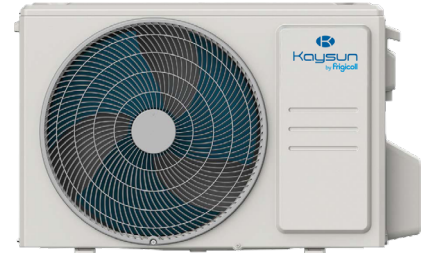


# Ducts

# PRODUCT SHEET



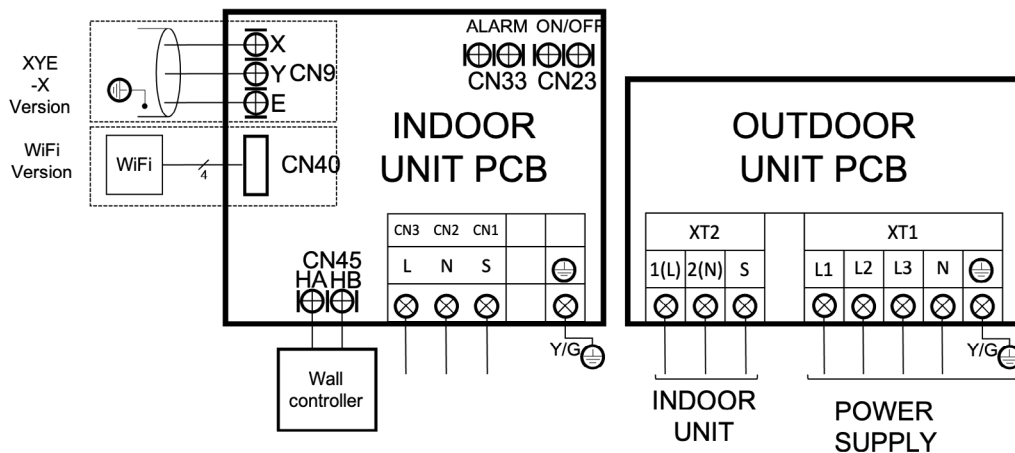
KCT-04 SPSWF  
Recommended controller



## FEATURES

Model	KPDA-105(140) DTR13 / KPDA-105(140) DTR13-X
Cooling capacity	10,55 kW
Cooling power input	3.950 W
Heating capacity	11,72 kW
Heating power input	3.250 W
ErP Classification cold/heat	A++ / A+
Airflow (indoor)	2.120/2.350/2.600 m <sup>3</sup> /h
Max. static pressure	160 Pa
Sound pressure (indoor)	35,40/38,30/41,80 dB(A)
Airflow (outdoor)	4.000 m <sup>3</sup> /h
Sound pressure (outdoor)	63 dB(A)
Power supply	380-415 V / 3 / 50 Hz
Max. input	10 A
Power wiring (indoor)	With communication
Power wiring (outdoor)	(4+T)x2,50 mm <sup>2</sup>
Communication wiring	(3+T)x1 mm <sup>2</sup>

## WIRING DIAGRAM

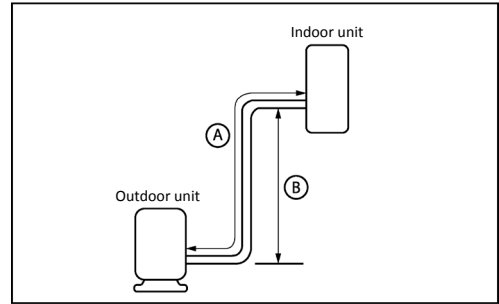


NOTES:

- (1) The data and specifications present in this sheet may vary without notice.
- (2) The images on this sheet are indicative and may be different from the final machine.

## COOLING CONNECTION

Model	KPDA-105(140) DTR13 / KPDA-105(140) DTR13-X	
Refrigerating pipes	Ø3/8" / Ø5/8"	
Refrigerant charge / Additional charge	2,40 kg / 0,024 kg	
Indoor drain pipe	Ø25 mm	
Max. pipe length (A)	75 m	
Max. level difference (B)	30 m	

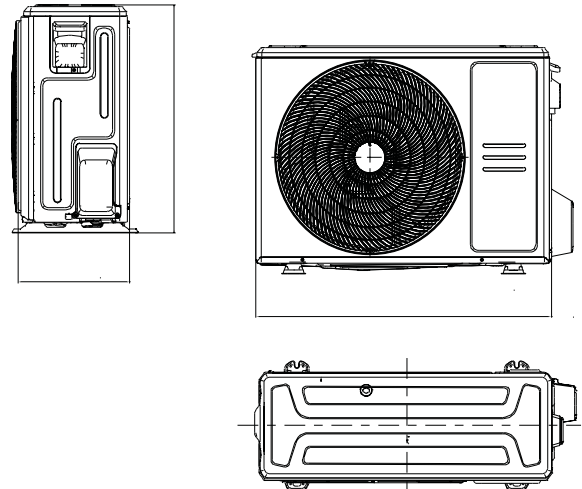
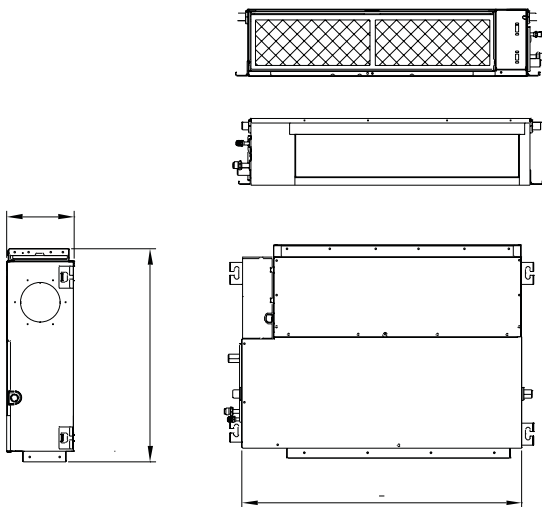


## DIMENSIONS & WEIGHT INDOOR

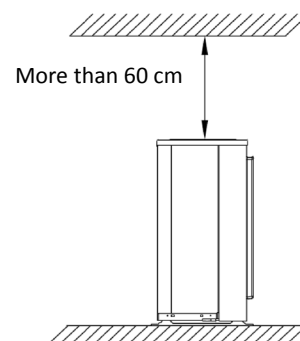
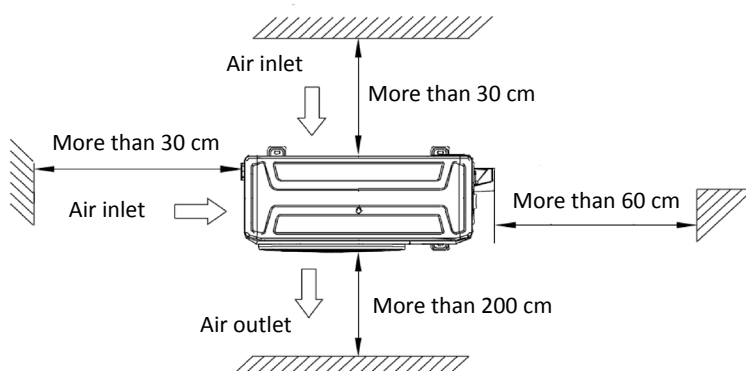
Model	KPD-140 DR13 / KPD-140 DR13-X
Width	1.200 mm
Height	300 mm
Depth	874 mm
Weight	47,60 kg

## DIMENSIONS & WEIGHT OUTDOOR

Model	KUE-105 DTR13
Width	946 mm
Height	810 mm
Depth	410 mm
Weight	80,50 kg

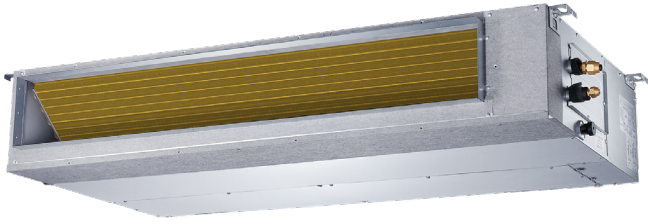


## INSTALLATION

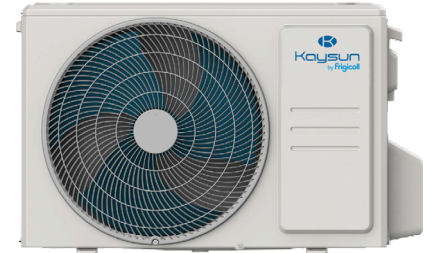


# Ducts

# PRODUCT SHEET



KCT-04 SPSWF  
Recommended controller



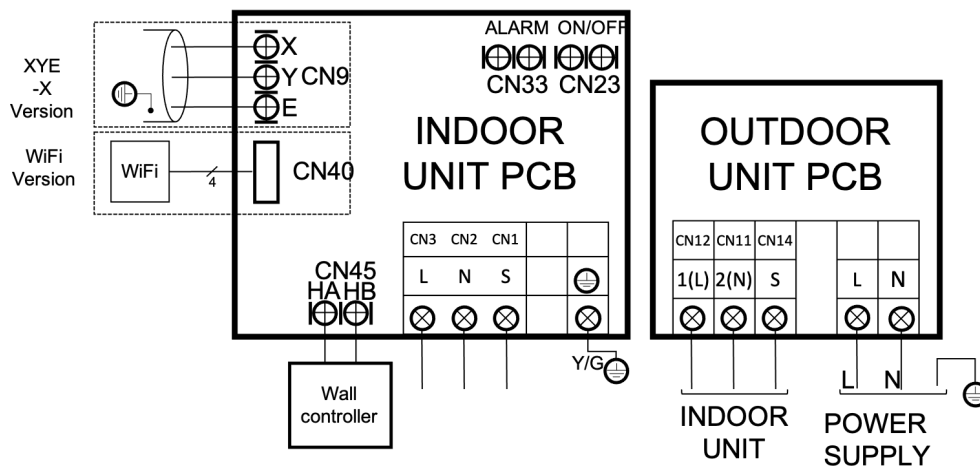
Product certified by:



## FEATURES

Model	KPDA-125 DVR13 / KPDA-125 DVR13-X
Cooling capacity	12,02 kW
Cooling power input	4.200 W
Heating capacity	13,48 kW
Heating power input	3.459 W
ErP Classification cold/heat	A++ / A+
Airflow (indoor)	2.120/2.350/2.600 m <sup>3</sup> /h
Max. static pressure	160 Pa
Sound pressure (indoor)	35,40/38,30/41,80 dB(A)
Airflow (outdoor)	4.000 m <sup>3</sup> /h
Sound pressure (outdoor)	63 dB(A)
Power supply	220-240 V / 1 / 50 Hz
Max. input	22,50 A
Power wiring (indoor)	With communication
Power wiring (outdoor)	(2+T)x4 mm <sup>2</sup>
Communication wiring	(3+T)x1 mm <sup>2</sup>

## WIRING DIAGRAM

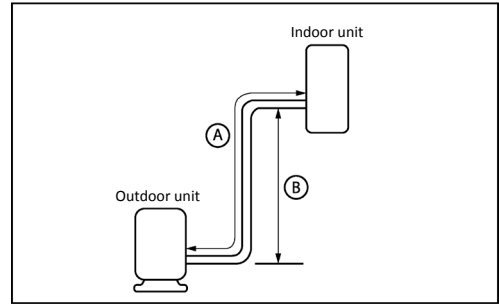


NOTES:

- (1) The data and specifications present in this sheet may vary without notice.
- (2) The images on this sheet are indicative and may be different from the final machine.

## COOLING CONNECTION

Model	KPDA-125 DVR13 / KPDA-125 DVR13-X	
Refrigerating pipes	Ø3/8" / Ø5/8"	
Refrigerant charge / Additional charge	2,80 kg / 0,024 kg	
Indoor drain pipe	Ø25 mm	
Max. pipe length (A)	75 m	
Max. level difference (B)	30 m	

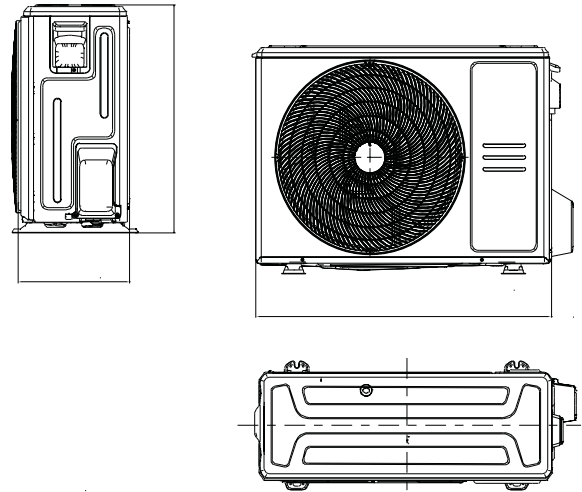
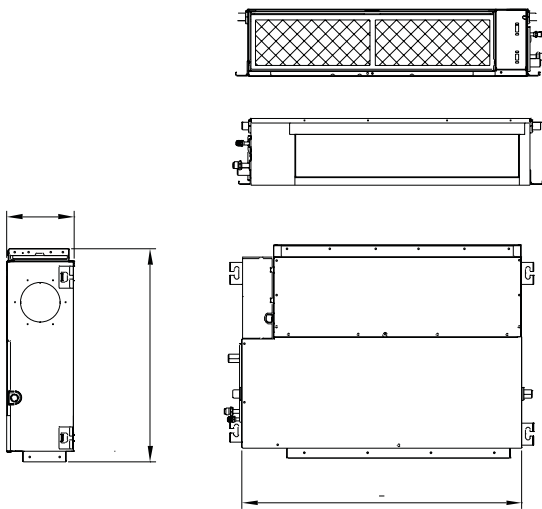


## DIMENSIONS & WEIGHT INDOOR

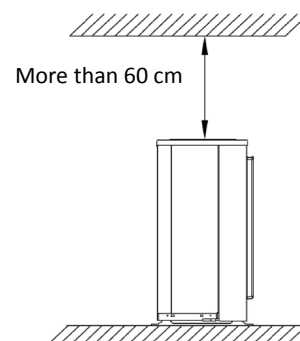
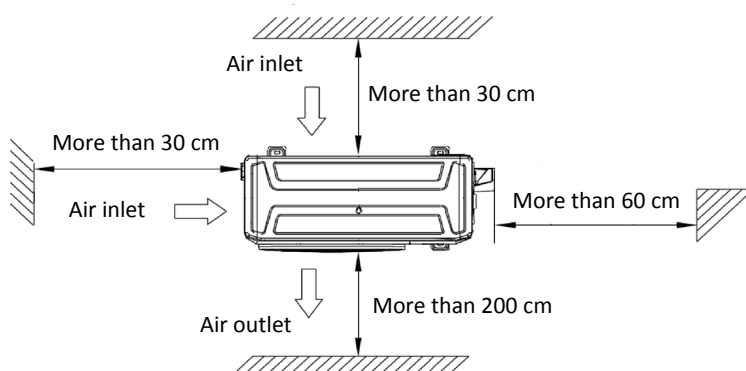
Model	KPD-125 DR13 / KPD-125 DR13-X
Width	1.200 mm
Height	300 mm
Depth	874 mm
Weight	47,60 kg

## DIMENSIONS & WEIGHT OUTDOOR

Model	KUE-125 DVR13
Width	946 mm
Height	810 mm
Depth	410 mm
Weight	71 kg

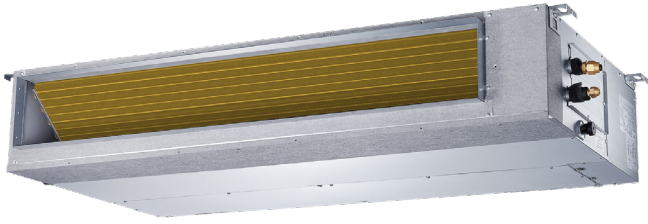


## INSTALLATION



# Ducts

# PRODUCT SHEET



**KCT-04 SPSWF**  
Recommended controller



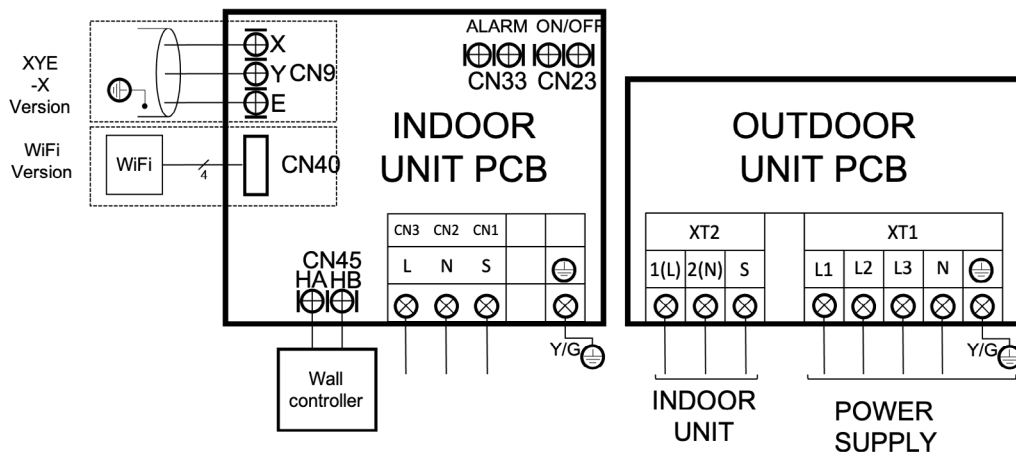
Product certified by:



## FEATURES

Model	KPDA-140 DTR13 / KPDA-140 DTR13-X
Cooling capacity	14,07 kW
Cooling power input	4.800 W
Heating capacity	16,12 kW
Heating power input	4.500 W
ErP Classification cold/heat	A++ / A+
Airflow (indoor)	2.120/2.350/2.600 m <sup>3</sup> /h
Max. static pressure	160 Pa
Sound pressure (indoor)	35,40/38,30/41,80 dB(A)
Airflow (outdoor)	7.500 m <sup>3</sup> /h
Sound pressure (outdoor)	63,50 dB(A)
Power supply	380-415 V / 3 / 50 Hz
Max. input	13 A
Power wiring (indoor)	With communication
Power wiring (outdoor)	(4+T)x2,50 mm <sup>2</sup>
Communication wiring	(3+T)x1 mm <sup>2</sup>

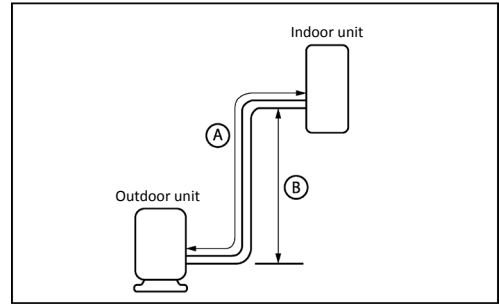
## WIRING DIAGRAM



NOTES:  
(1) The data and specifications present in this sheet may vary without notice.  
(2) The images on this sheet are indicative and may be different from the final machine.

## COOLING CONNECTION

Model	KPDA-140 DTR13 / KPDA-140 DTR13-X	
Refrigerating pipes	Ø3/8" / Ø5/8"	
Refrigerant charge / Additional charge	2,90 kg / 0,024 kg	
Indoor drain pipe	Ø25 mm	
Max. pipe length (A)	75 m	
Max. level difference (B)	30 m	

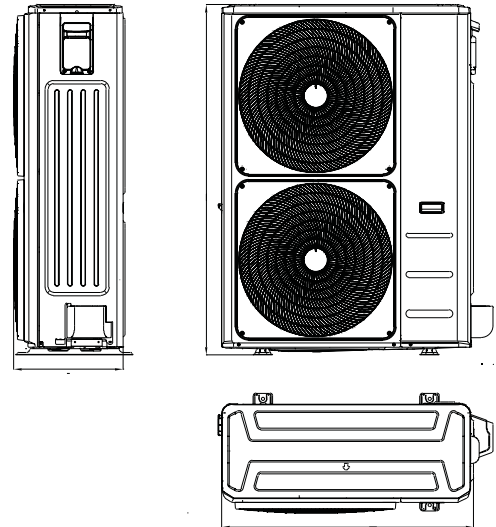
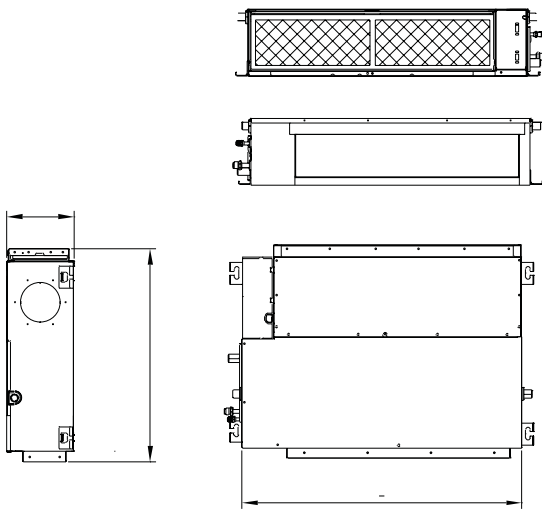


## DIMENSIONS & WEIGHT INDOOR

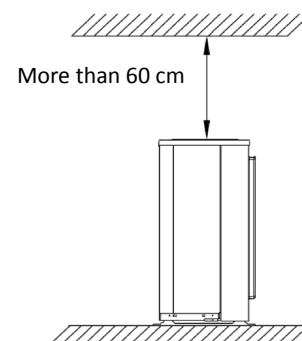
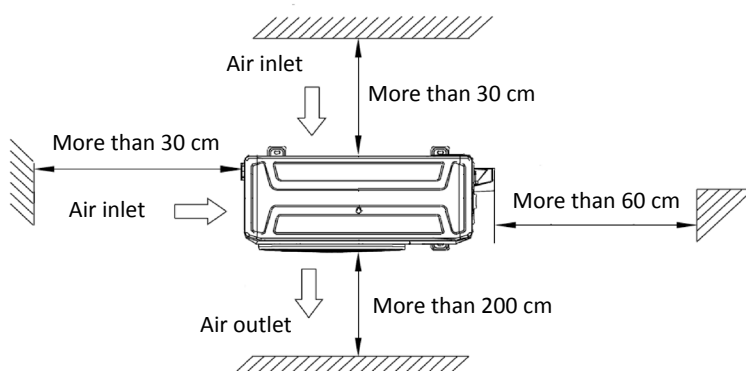
Model	KPD-140 DR13 / KPD-140 DR13-X
Width	1.200 mm
Height	300 mm
Depth	874 mm
Weight	47,60 kg

## DIMENSIONS & WEIGHT OUTDOOR

Model	KUE-140 DTR13
Width	952 mm
Height	1.333 mm
Depth	415 mm
Weight	103,70 kg

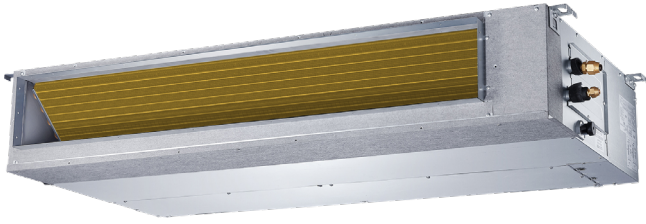


## INSTALLATION



# Ducts

# PRODUCT SHEET



**KCT-04 SPSWF**  
Recommended controller



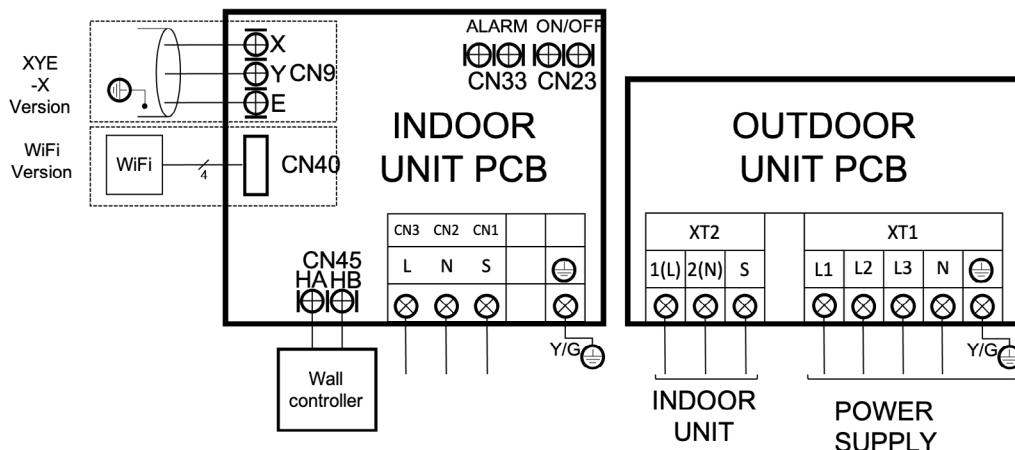
Product certified by:



## FEATURES

Model	KPDA-160 DTR13 / KPDA-160 DTR13-X
Cooling capacity	15,24 kW
Cooling power input	5.250 W
Heating capacity	18,17 kW
Heating power input	5.150 W
ErP Classification cold/heat	A++ / A+
Airflow (indoor)	2.120/2.350/2.600 m <sup>3</sup> /h
Max. static pressure	160 Pa
Sound pressure (indoor)	36/38,90/42,30 dB(A)
Airflow (outdoor)	7.500 m <sup>3</sup> /h
Sound pressure (outdoor)	64 dB(A)
Power supply	380-415 V / 3 / 50 Hz
Max. input	14 A
Power wiring (indoor)	With communication
Power wiring (outdoor)	(4+T)x2,50 mm <sup>2</sup>
Communication wiring	(3+T)x1 mm <sup>2</sup>

## WIRING DIAGRAM

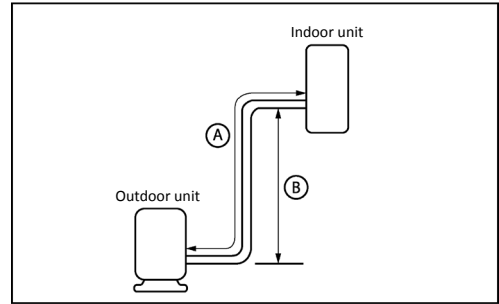


**NOTES:**

- (1) The data and specifications present in this sheet may vary without notice.
- (2) The images on this sheet are indicative and may be different from the final machine.

## COOLING CONNECTION

Model	KPDA-160 DTR13 / KPDA-160 DTR13-X	
Refrigerating pipes	Ø3/8" / Ø5/8"	
Refrigerant charge / Additional charge	3 kg / 0,024 kg	
Indoor drain pipe	Ø25 mm	
Max. pipe length (A)	75 m	
Max. level difference (B)	30 m	

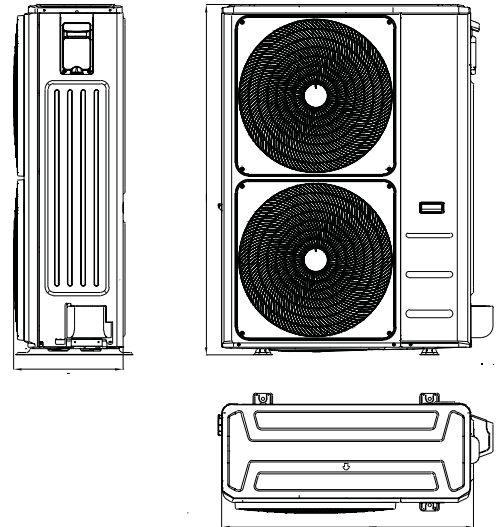
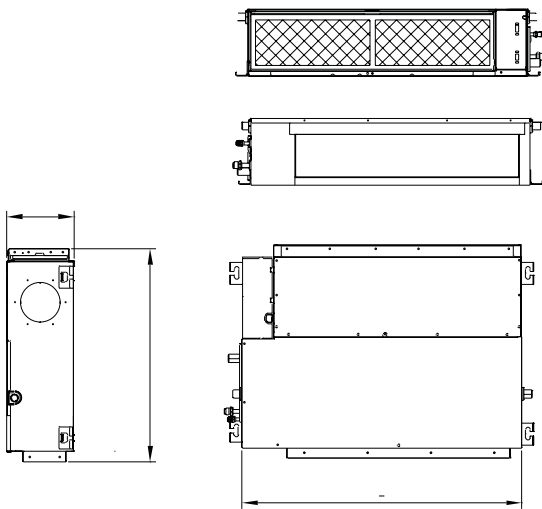


## DIMENSIONS & WEIGHT INDOOR

Model	KPD-160 DR13 / KPD-160 DR13-X
Width	1.200 mm
Height	300 mm
Depth	874 mm
Weight	47,40 kg

## DIMENSIONS & WEIGHT OUTDOOR

Model	KUE-160 DTR13
Width	952 mm
Height	1.333 mm
Depth	415 mm
Weight	107 kg



## INSTALLATION

