


# Cassette 600x600

## Multisystem

## PRODUCT SHEET



KID-05 S  
Standard controller

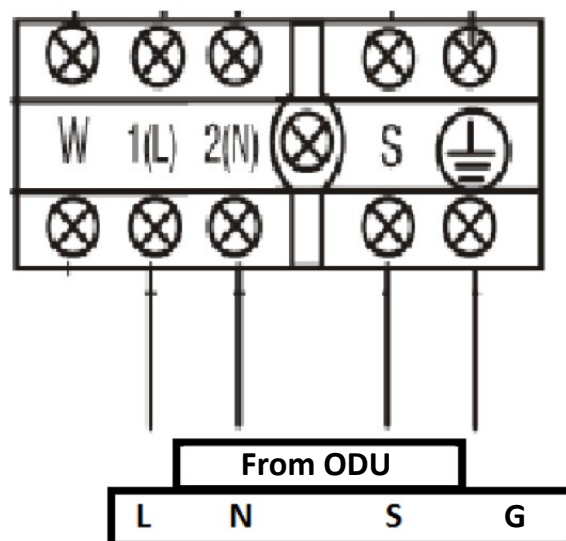
Product certified by: 



### FEATURES

Model	KCI-26 DMR13	KCI-35 DR13	KCI-52 DR13
Cooling capacity	2,64 kW	3,52 kW	5,28 kW
Heating capacity	2,93 kW	3,81 kW	5,57 kW
Airflow	450/500/580 m <sup>3</sup> /h	389/485/569 m <sup>3</sup> /h	479/584/680 m <sup>3</sup> /h
Sound pressure	29/33/38 dB(A)	34,50/37,50/42 dB(A)	39/44/45,40 dB(A)
Power supply	220-240 V / 1 / 50 Hz		
Communication wiring	(3+T)x2,50 mm <sup>2</sup>		
Refrigerating pipes	Ø1/4" / Ø3/8"	Ø1/4" / Ø3/8"	Ø1/4" / Ø1/2"

### WIRING DIAGRAM

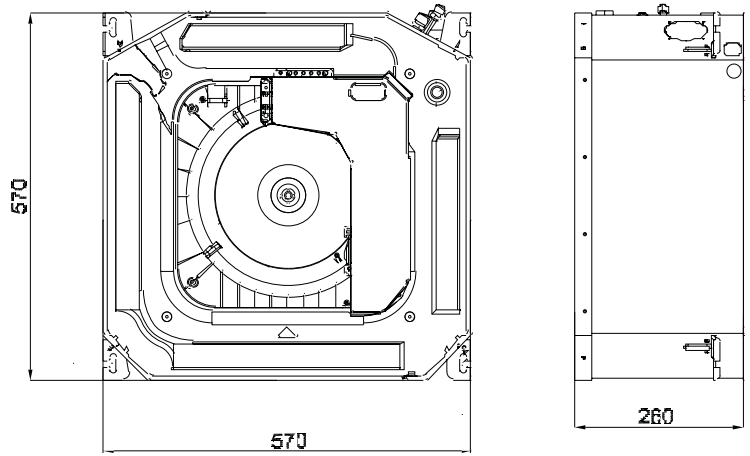


NOTES:

(1) The data and specifications present in this sheet may vary without notice.  
 (2) The images on this sheet are indicative and may be different from the final machine.

## DIMENSIONS & WEIGHT OF INDOOR UNIT

Model	Weight
KCI-26 DMR11	14,70 kg
KCI-35 DR13	16,20 kg
KCI-52 DR13	16,20 kg



## DIMENSIONS & WEIGHT OF PANEL

Model	Weight
KPA-03E 600X600	2,50 kg

