



Kaysun
by Frigicoll

ES

FR

ENGLISH

LANGUAGES

Aquantia KHPS-MO PRO

Monobloc Set

PRODUCT SHEET



Standard controller

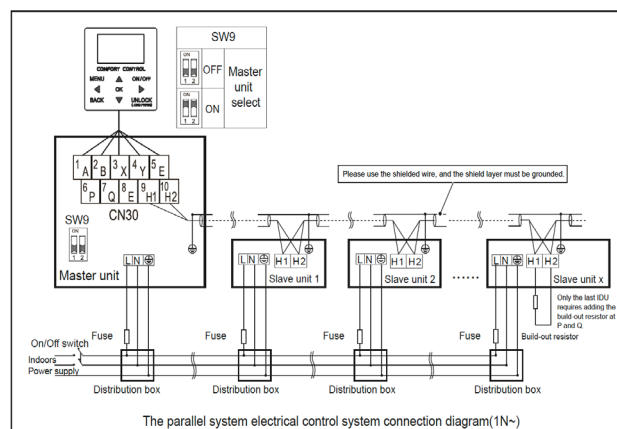
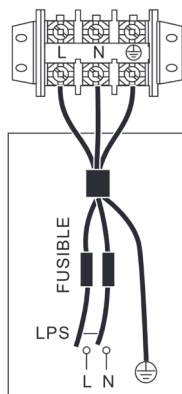
Product certified by:



FEATURES

| Model | Set | KHPS-MO 4 DVR PRO |
|--------------------------|---|--|
| | Outdoor unit | KHP-MO 4 DVR2 |
| Outdoor unit | Net / Gross weight | 98,0 kg / 121,0 kg |
| | Connections diameter | R1" |
| | Drain connection | DN32 mm |
| | Expansion vessel included | 8,0 L |
| | Max. pump available pressure | 8,5 m |
| | Rated water flow | 0,72 m ³ /h |
| | Water flow range | 0,4 ~ 0,9 m ³ /h |
| | Power supply | 220-240 V / 1 / 50 Hz |
| | Max. intensity | 31,0 A |
| | Recommended fuse | D32 A |
| | Backup electrical resistance | 3,0 kW |
| DHW tank (not included) | Minimum DHW coil area | Stainless Enamelled steel |
| | | 1,4 m ² 2,0 m ² |
| | Recommended tank capacity | 100 L ~ 250 L |
| | Recommended model | BSX270 |
| | Max. tank installation distance from the outdoor unit | 5 m |
| Water outlet temperature | Heating & DHW | +25 ~ +65 °C |
| | Cooling | +5 ~ +25 °C |
| Operating range | Heating | -25 ~ +35 °C |
| | DHW | -25 ~ +43 °C |
| | Cooling | -5 ~ +43 °C |

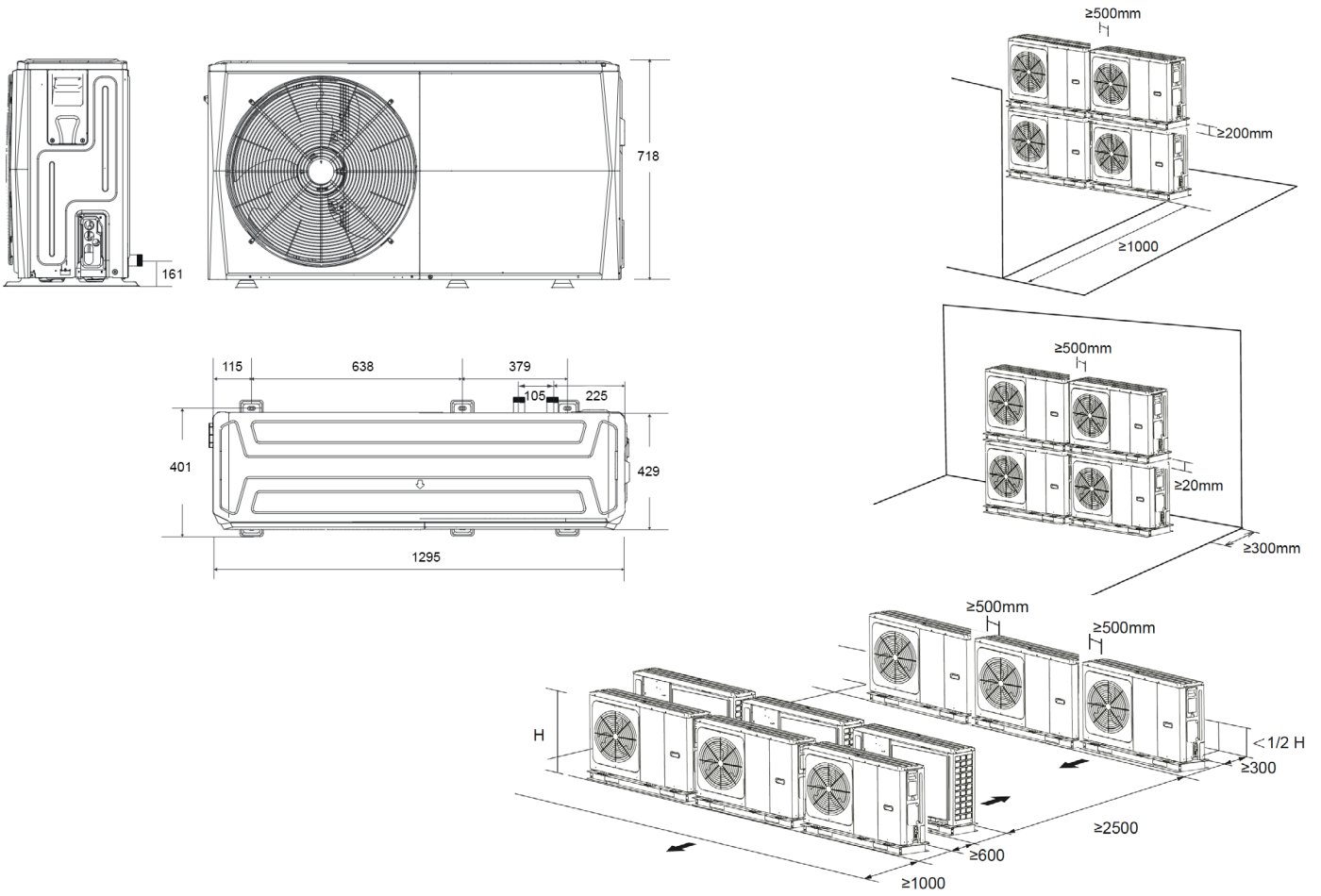
ELECTRICAL CONNECTION



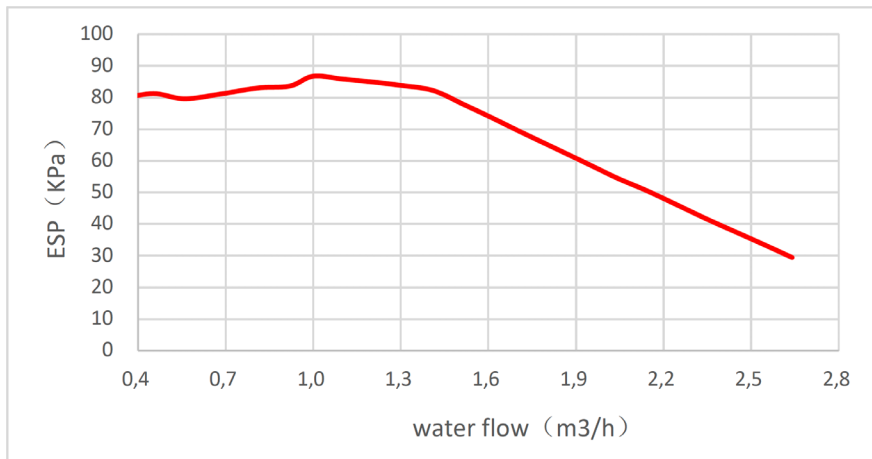
NOTES:
 (1) The data and specifications present in this sheet may vary without notice.
 (2) The images on this sheet are indicative and may be different from the final machine.



DIMENSIONS & INSTALLATION DISTANCES



PUMP CURVE



Abbreviations:
ESP: External static pressure

PERFORMANCES

| | Heating | | | | Cooling | |
|--------------------------|--------------------------------|--------------------------------|--------------------------------|--------------------------------|---------------------------------|--------------------------------|
| | A+7°C Capacity kW / W+35°C COP | A+7°C Capacity kW / W+55°C COP | A-7°C Capacity kW / W+35°C COP | A-7°C Capacity kW / W+55°C COP | A+35°C Capacity kW / W+18°C EER | A+35°C Capacity kW / W+7°C EER |
| KHPS-MO 4 DVR PRO | 4,25 / 5,10 | 4,40 / 2,95 | 4,70 / 3,10 | 4,00 / 1,95 | 4,50 / 5,55 | 4,70 / 3,45 |

SOUND PRESSURE

| | Sound pressure Outdoor unit dB(A) |
|--------------------------|--------------------------------------|
| KHPS-MO 4 DVR PRO | 45,0 |



Kaysun
by Frigicoll

ES

FR

ENGLISH

LANGUAGES

Aquantia KHPS-MO PRO

Monobloc Set

PRODUCT SHEET



Standard controller

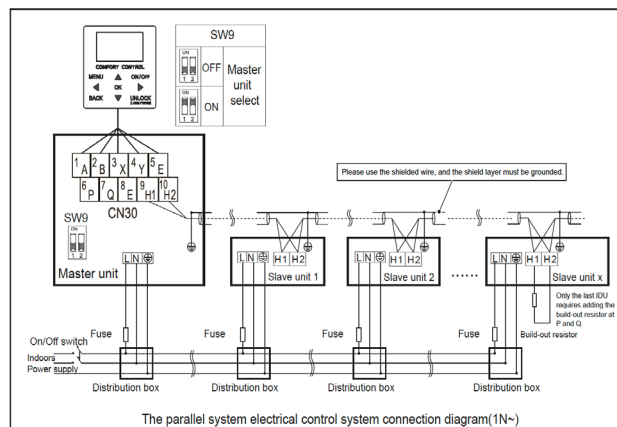
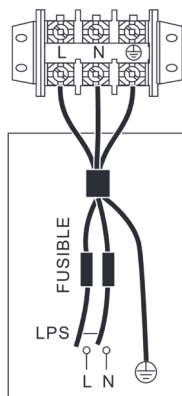
Product certified by:



FEATURES

| Model | Set | KHPS-MO 6 DVR PRO |
|--------------------------|---|--|
| | Outdoor unit | KHP-MO 6 DVR2 |
| Outdoor unit | Net / Gross weight | 98,0 kg / 121,0 kg |
| | Connections diameter | R1" |
| | Drain connection | DN32 mm |
| | Expansion vessel included | 8,0 L |
| | Max. pump available pressure | 8,5 m |
| | Rated water flow | 1,09 m ³ /h |
| | Water flow range | 0,4 ~ 1,25 m ³ /h |
| | Power supply | 220-240 V / 1 / 50 Hz |
| | Max. intensity | 31,0 A |
| | Recommended fuse | D32 A |
| | Backup electrical resistance | 3,0 kW |
| DHW tank (not included) | Minimum DHW coil area | Stainless Enamelled steel |
| | | 1,4 m ² 2,0 m ² |
| | Recommended tank capacity | 100 L ~ 250 L |
| | Recommended model | BSX270 |
| | Max. tank installation distance from the outdoor unit | 5 m |
| Water outlet temperature | Heating & DHW | +25 ~ +65 °C |
| | Cooling | +5 ~ +25 °C |
| Operating range | Heating | -25 ~ +35 °C |
| | DHW | -25 ~ +43 °C |
| | Cooling | -5 ~ +43 °C |

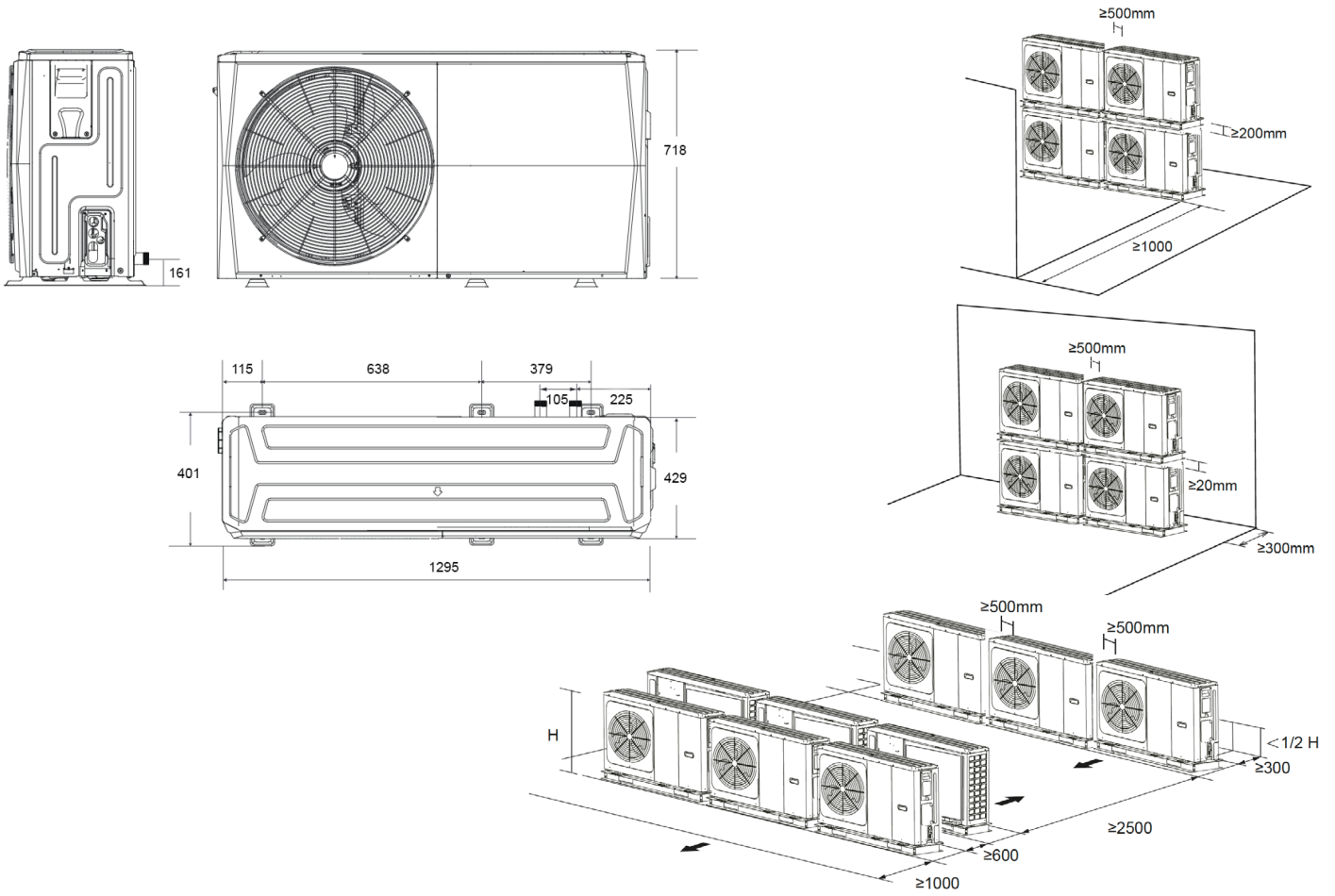
ELECTRICAL CONNECTION



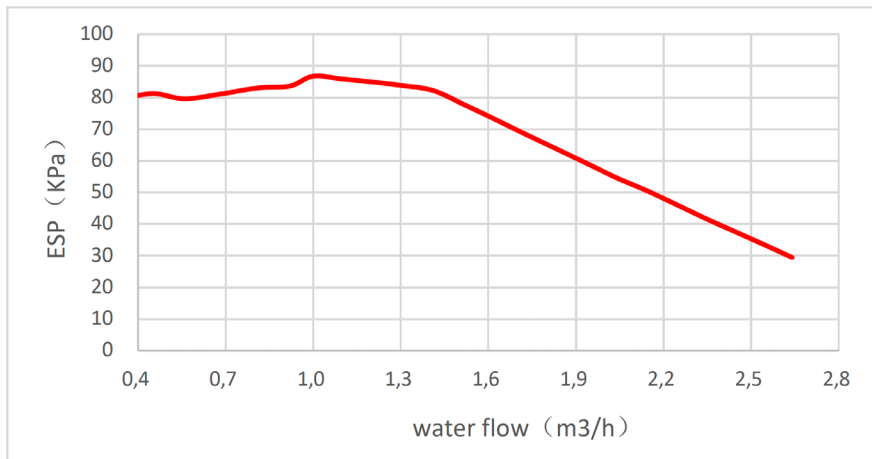
NOTES:
(1) The data and specifications present in this sheet may vary without notice.
(2) The images on this sheet are indicative and may be different from the final machine.

frigicoll

DIMENSIONS & INSTALLATION DISTANCES



PUMP CURVE



Abbreviations:
ESP: External static pressure

PERFORMANCES

| | Heating | | | | Cooling | |
|--------------------------|--------------------------------|--------------------------------|--------------------------------|--------------------------------|---------------------------------|--------------------------------|
| | A+7°C Capacity kW / W+35°C COP | A+7°C Capacity kW / W+55°C COP | A-7°C Capacity kW / W+35°C COP | A-7°C Capacity kW / W+55°C COP | A+35°C Capacity kW / W+18°C EER | A+35°C Capacity kW / W+7°C EER |
| KHPS-MO 6 DVR PRO | 6,35 / 4,95 | 6,00 / 2,95 | 6,00 / 3,00 | 5,15 / 2,00 | 6,50 / 4,80 | 7,00 / 3,00 |

SOUND PRESSURE

| | Sound pressure Outdoor unit dB(A) |
|--------------------------|--------------------------------------|
| KHPS-MO 6 DVR PRO | 47,5 |



Kaysun
by Frigicoll

ES

FR

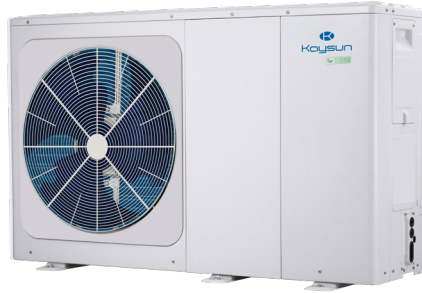
ENGLISH

LANGUAGES

Aquantia KHPS-MO PRO

Monobloc Set

PRODUCT SHEET



Standard controller

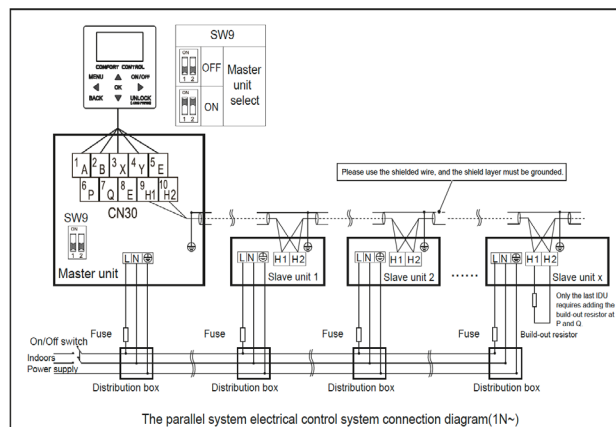
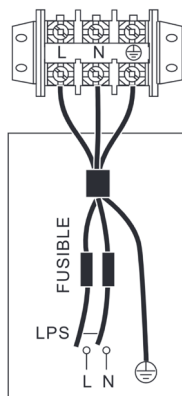
Product certified by:



FEATURES

| Model | Set | KHPS-MO 8 DVR PRO |
|--------------------------|---|--|
| | Outdoor unit | KHP-MO 8 DVR2 |
| Outdoor unit | Net / Gross weight | 121,0 kg / 148,0 kg |
| | Connections diameter | R5/4" |
| | Drain connection | DN32 mm |
| | Expansion vessel included | 8,0 L |
| | Max. pump available pressure | 8,5 m |
| | Rated water flow | 1,44 m ³ /h |
| | Water flow range | 0,4 ~ 1,65 m ³ /h |
| | Power supply | 220-240 V / 1 / 50 Hz |
| | Max. intensity | 32,0 A |
| | Recommended fuse | D32 A |
| | Backup electrical resistance | 3,0 kW |
| DHW tank (not included) | Minimum DHW coil area | Stainless Enamelled steel |
| | | 1,4 m ² 2,0 m ² |
| | Recommended tank capacity | 150 L ~ 300 L |
| | Recommended model | BSX270 |
| | Max. tank installation distance from the outdoor unit | 5 m |
| Water outlet temperature | Heating & DHW | +25 ~ +65 °C |
| | Cooling | +5 ~ +25 °C |
| Operating range | Heating | -25 ~ +35 °C |
| | DHW | -25 ~ +43 °C |
| | Cooling | -5 ~ +43 °C |

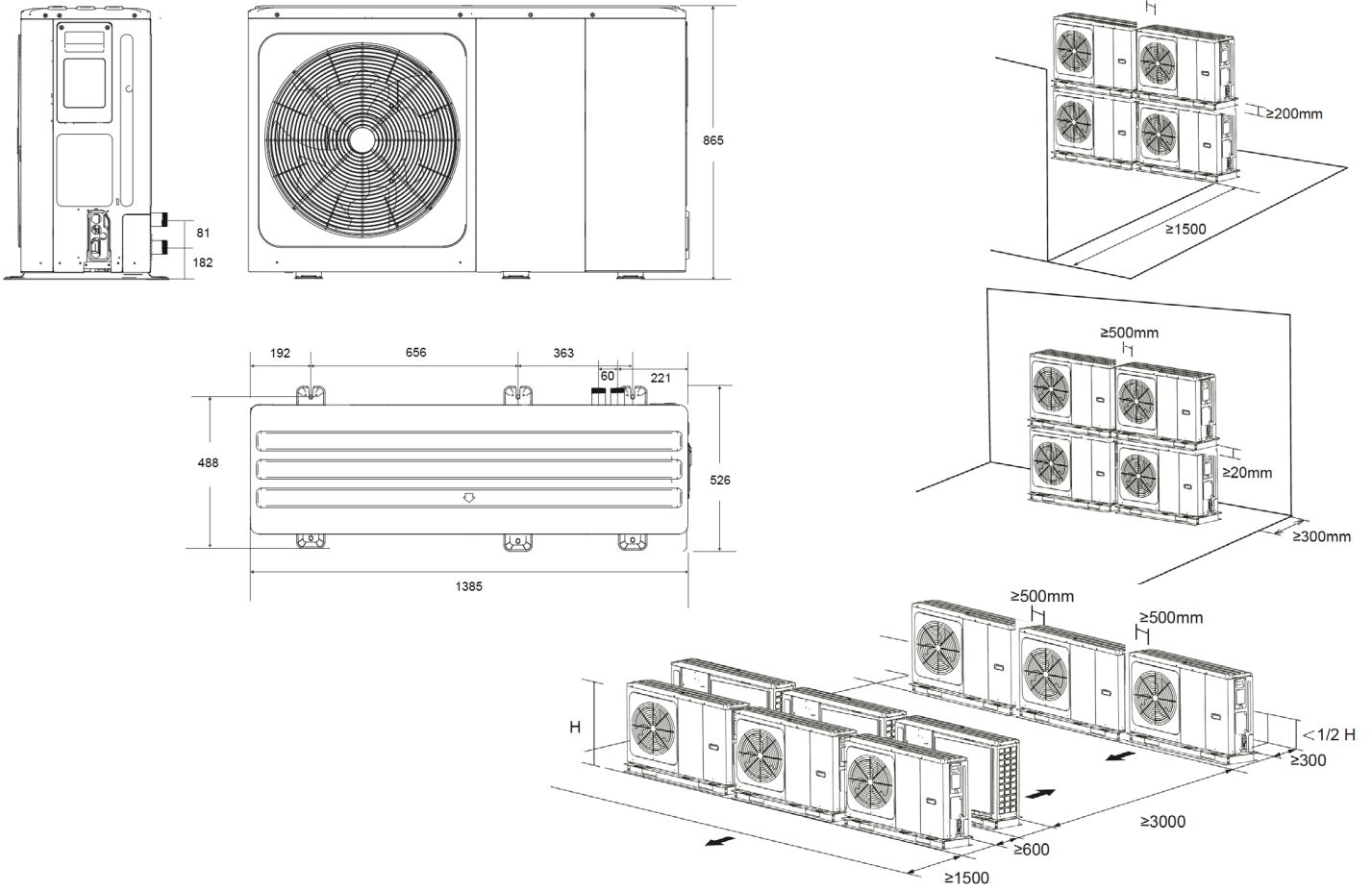
ELECTRICAL CONNECTION



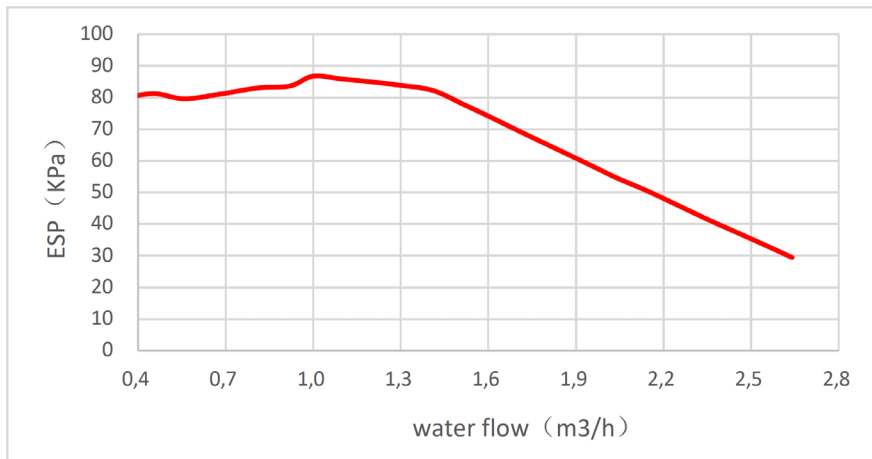
NOTES:
 (1) The data and specifications present in this sheet may vary without notice.
 (2) The images on this sheet are indicative and may be different from the final machine.



DIMENSIONS & INSTALLATION DISTANCES



PUMP CURVE



Abbreviations:
ESP: External static pressure

PERFORMANCES

| | Heating | | | | Cooling | |
|--------------------------|--------------------------------|--------------------------------|--------------------------------|--------------------------------|---------------------------------|--------------------------------|
| | A+7°C Capacity kW / W+35°C COP | A+7°C Capacity kW / W+55°C COP | A-7°C Capacity kW / W+35°C COP | A-7°C Capacity kW / W+55°C COP | A+35°C Capacity kW / W+18°C EER | A+35°C Capacity kW / W+7°C EER |
| KHPS-MO 8 DVR PRO | 8,40 / 5,15 | 7,50 / 3,18 | 7,00 / 3,20 | 6,15 / 2,05 | 8,30 / 5,05 | 7,45 / 3,35 |

SOUND PRESSURE

| | Sound pressure Outdoor unit dB(A) |
|--------------------------|--------------------------------------|
| KHPS-MO 8 DVR PRO | 48,5 |



Kaysun
by Frigicoll

ES

FR

ENGLISH

LANGUAGES

Aquantia KHPS-MO PRO

Monobloc Set

PRODUCT SHEET



Standard controller

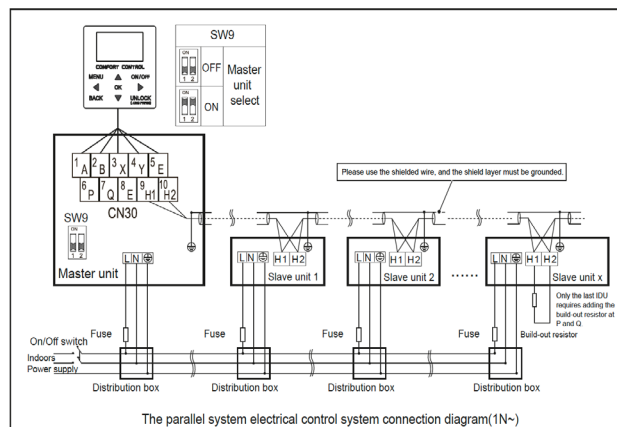
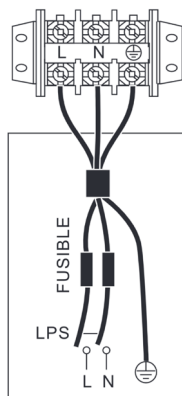
Product certified by:



FEATURES

| Model | Set | KHPS-MO 10 DVR PRO |
|--------------------------|---|--|
| | Outdoor unit | KHP-MO 10 DVR2 |
| Outdoor unit | Net / Gross weight | 121,0 kg / 148,0 kg |
| | Connections diameter | R5/4" |
| | Drain connection | DN32 mm |
| | Expansion vessel included | 8,0 L |
| | Max. pump available pressure | 8,5 m |
| | Rated water flow | 1,72 m ³ /h |
| | Water flow range | 0,4 ~ 2,1 m ³ /h |
| | Power supply | 220-240 V / 1 / 50 Hz |
| | Max. intensity | 32,0 A |
| | Recommended fuse | D32 A |
| | Backup electrical resistance | 3,0 kW |
| DHW tank (not included) | Minimum DHW coil area | Stainless Enamelled steel |
| | | 1,4 m ² 2,0 m ² |
| | Recommended tank capacity | 150 L ~ 300 L |
| | Recommended model | BSX270 / BSX475 |
| | Max. tank installation distance from the outdoor unit | 5 m |
| Water outlet temperature | Heating & DHW | +25 ~ +65 °C |
| | Cooling | +5 ~ +25 °C |
| Operating range | Heating | -25 ~ +35 °C |
| | DHW | -25 ~ +43 °C |
| | Cooling | -5 ~ +43 °C |

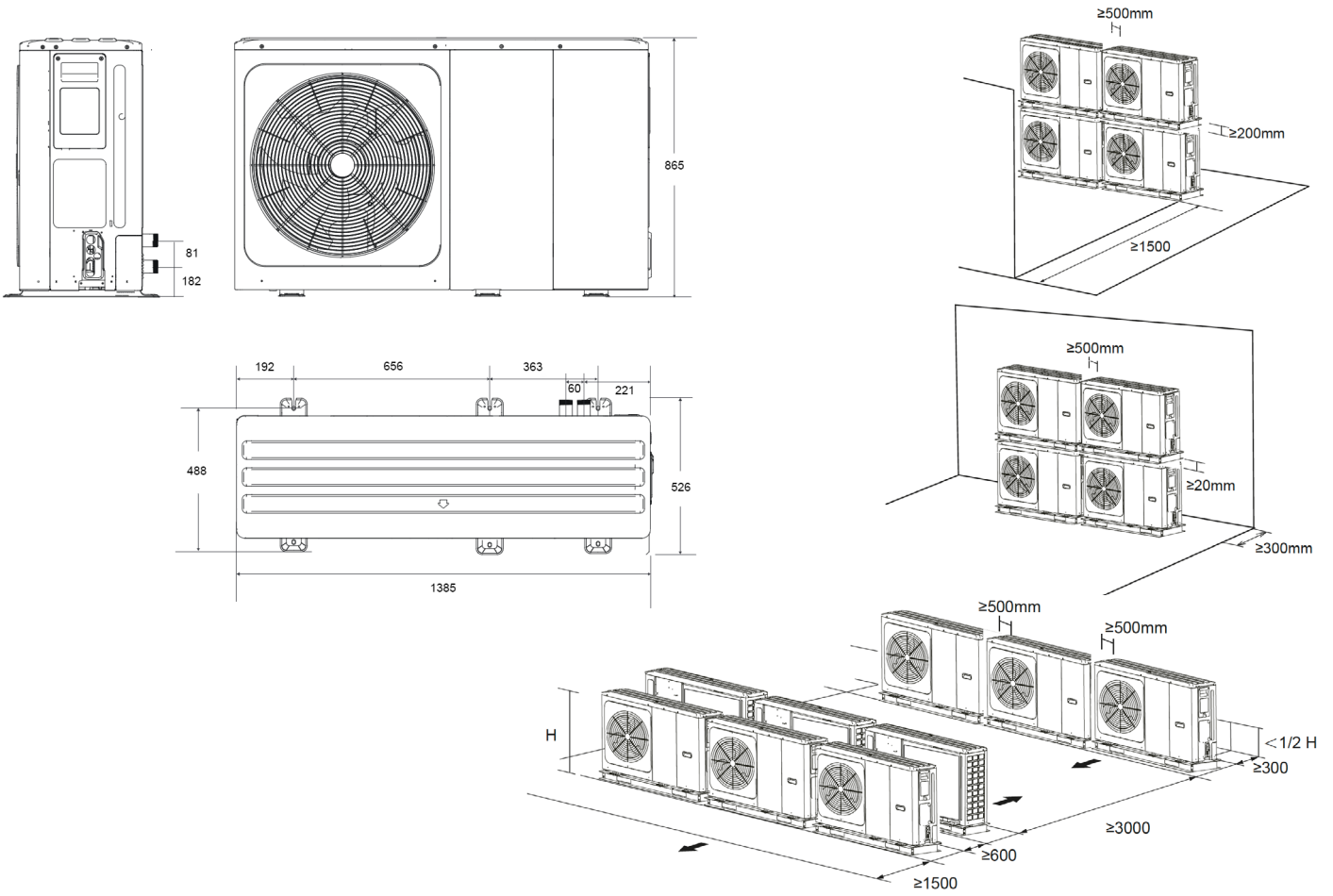
ELECTRICAL CONNECTION



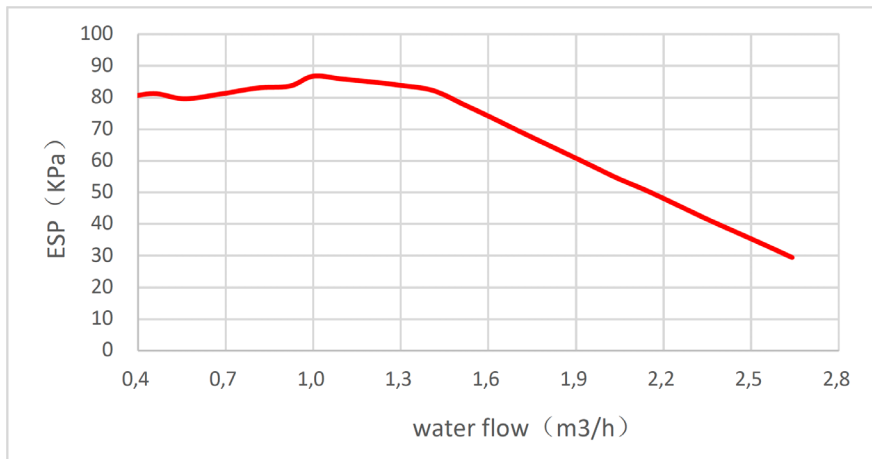
NOTES:
 (1) The data and specifications present in this sheet may vary without notice.
 (2) The images on this sheet are indicative and may be different from the final machine.



DIMENSIONS & INSTALLATION DISTANCES



PUMP CURVE



Abbreviations:
ESP: External static pressure

PERFORMANCES

| | Heating | | | | Cooling | |
|---------------------------|--------------------------------|--------------------------------|--------------------------------|--------------------------------|---------------------------------|--------------------------------|
| | A+7°C Capacity kW / W+35°C COP | A+7°C Capacity kW / W+55°C COP | A-7°C Capacity kW / W+35°C COP | A-7°C Capacity kW / W+55°C COP | A+35°C Capacity kW / W+18°C EER | A+35°C Capacity kW / W+7°C EER |
| KHPS-MO 10 DVR PRO | 10,00 / 4,95 | 9,50 / 3,10 | 8,00 / 3,05 | 6,85 / 2,00 | 9,90 / 4,55 | 8,20 / 3,35 |

SOUND PRESSURE

| | Sound pressure Outdoor unit dB(A) |
|---------------------------|--------------------------------------|
| KHPS-MO 10 DVR PRO | 50,5 |



Kaysun
by Frigicoll

ES

FR

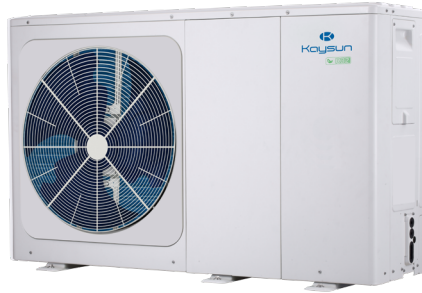
ENGLISH

LANGUAGES

Aquantia KHPS-MO PRO

Monobloc Set

PRODUCT SHEET



Standard controller

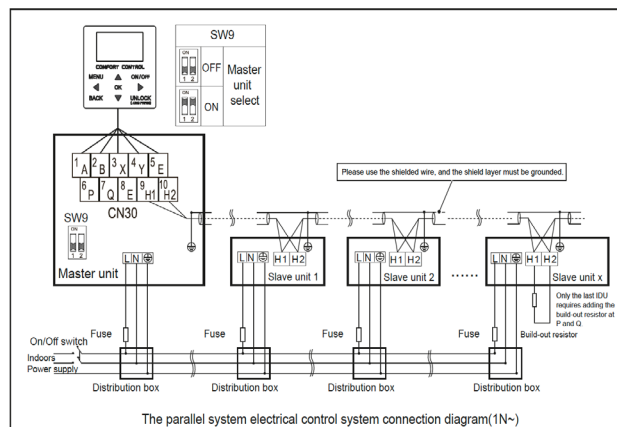
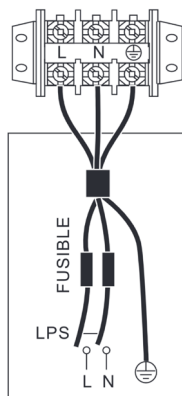
Product certified by:



FEATURES

| Model | Set | KHPS-MO 12 DVR PRO |
|--------------------------|---|--|
| | Outdoor unit | KHP-MO 12 DVR2 |
| Outdoor unit | Net / Gross weight | 144,0 kg / 170,0 kg |
| | Connections diameter | R5/4" |
| | Drain connection | DN32 mm |
| | Expansion vessel included | 8,0 L |
| | Max. pump available pressure | 8,5 m |
| | Rated water flow | 2,08 m ³ /h |
| | Water flow range | 0,7 ~ 2,5 m ³ /h |
| | Power supply | 220-240 V / 1 / 50 Hz |
| | Max. intensity | 43,0 A |
| | Recommended fuse | D45 A |
| | Backup electrical resistance | 3,0 kW |
| DHW tank (not included) | Minimum DHW coil area | Stainless Enamelled steel |
| | | 1,6 m ² 2,5 m ² |
| | Recommended tank capacity | 200 L ~ 500 L |
| | Recommended model | BSX270 / BSX475 |
| | Max. tank installation distance from the outdoor unit | 5 m |
| Water outlet temperature | Heating & DHW | +25 ~ +65 °C |
| | Cooling | +5 ~ +25 °C |
| Operating range | Heating | -25 ~ +35 °C |
| | DHW | -25 ~ +43 °C |
| | Cooling | -5 ~ +43 °C |

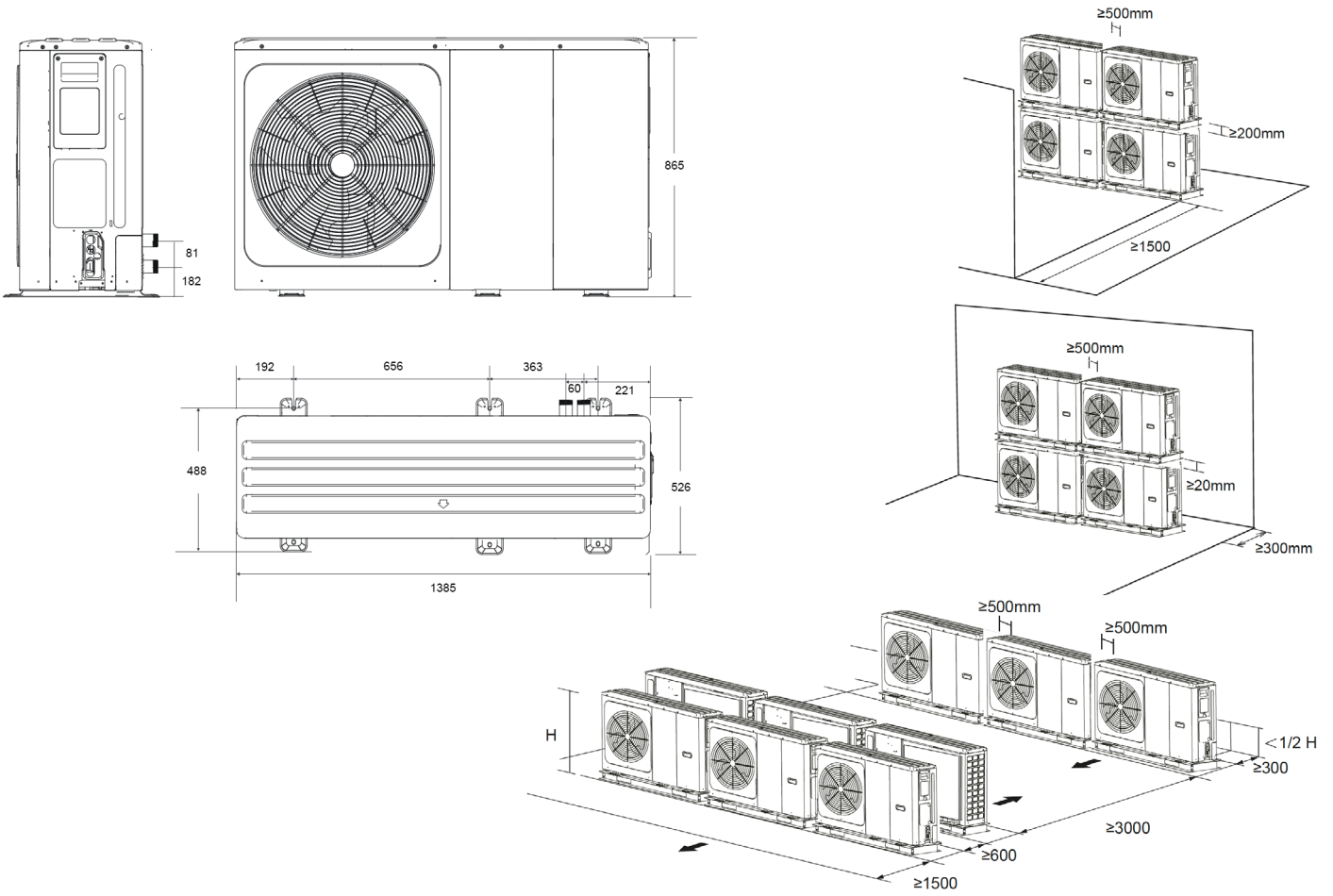
ELECTRICAL CONNECTION



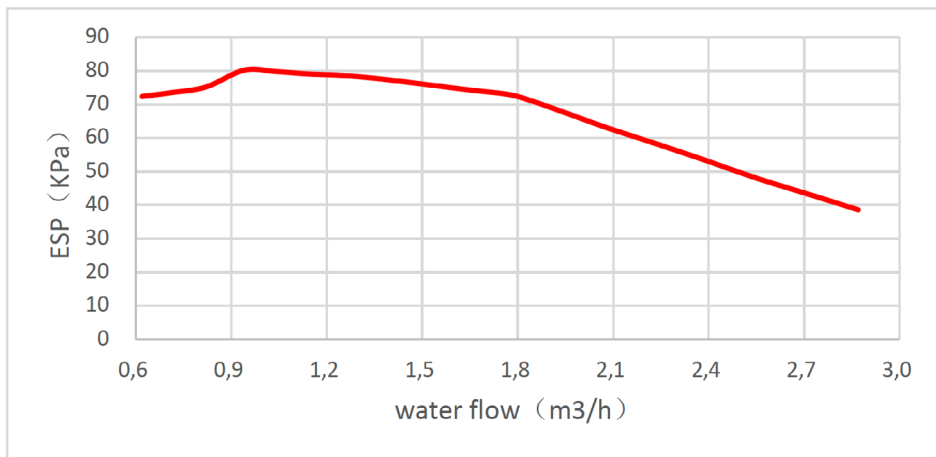
NOTES:
(1) The data and specifications present in this sheet may vary without notice.
(2) The images on this sheet are indicative and may be different from the final machine.

frigicoll

DIMENSIONS & INSTALLATION DISTANCES



PUMP CURVE



Abbreviations:
ESP: External static pressure

PERFORMANCES

| | Heating | | | | Cooling | |
|---------------------------|--------------------------------|--------------------------------|--------------------------------|--------------------------------|---------------------------------|--------------------------------|
| | A+7°C Capacity kW / W+35°C COP | A+7°C Capacity kW / W+55°C COP | A-7°C Capacity kW / W+35°C COP | A-7°C Capacity kW / W+55°C COP | A+35°C Capacity kW / W+18°C EER | A+35°C Capacity kW / W+7°C EER |
| KHPS-MO 12 DVR PRO | 12,10 / 4,95 | 11,90 / 3,05 | 10,00 / 3,00 | 9,80 / 2,05 | 12,00 / 3,95 | 11,50 / 2,75 |

SOUND PRESSURE

| | Sound pressure Outdoor unit dB(A) |
|---------------------------|--------------------------------------|
| KHPS-MO 12 DVR PRO | 53,0 (230V) |



Kaysun
by Frigicoll

ES

FR

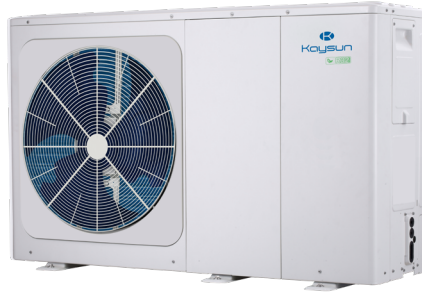
ENGLISH

LANGUAGES

Aquantia KHPS-MO PRO

Monobloc Set

PRODUCT SHEET



Standard controller

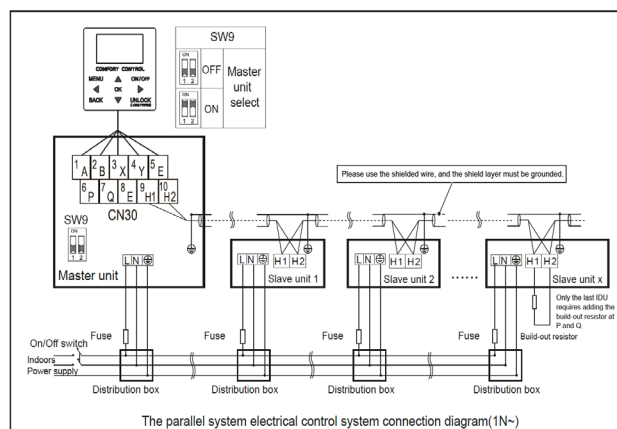
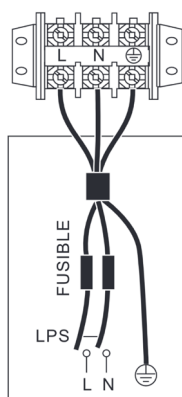
Product certified by:



FEATURES

| Model | Set | KHPS-MO 14 DVR PRO |
|--------------------------|---|--|
| | Outdoor unit | KHP-MO 14 DVR2 |
| Outdoor unit | Net / Gross weight | 144,0 kg / 170,0 kg |
| | Connections diameter | R5/4" |
| | Drain connection | DN32 mm |
| | Expansion vessel included | 8,0 L |
| | Max. pump available pressure | 8,5 m |
| | Rated water flow | 2,49 m ³ /h |
| | Water flow range | 0,7 ~ 2,75 m ³ /h |
| | Power supply | 220-240 V / 1 / 50 Hz |
| | Max. intensity | 43,0 A |
| | Recommended fuse | D45 A |
| | Backup electrical resistance | 3,0 kW |
| DHW tank (not included) | Minimum DHW coil area | Stainless Enamelled steel |
| | | 1,6 m ² 2,5 m ² |
| | Recommended tank capacity | 200 L ~ 500 L |
| | Recommended model | BSX270 / BSX475 |
| | Max. tank installation distance from the outdoor unit | 5 m |
| Water outlet temperature | Heating & DHW | +25 ~ +65 °C |
| | Cooling | +5 ~ +25 °C |
| Operating range | Heating | -25 ~ +35 °C |
| | DHW | -25 ~ +43 °C |
| | Cooling | -5 ~ +43 °C |

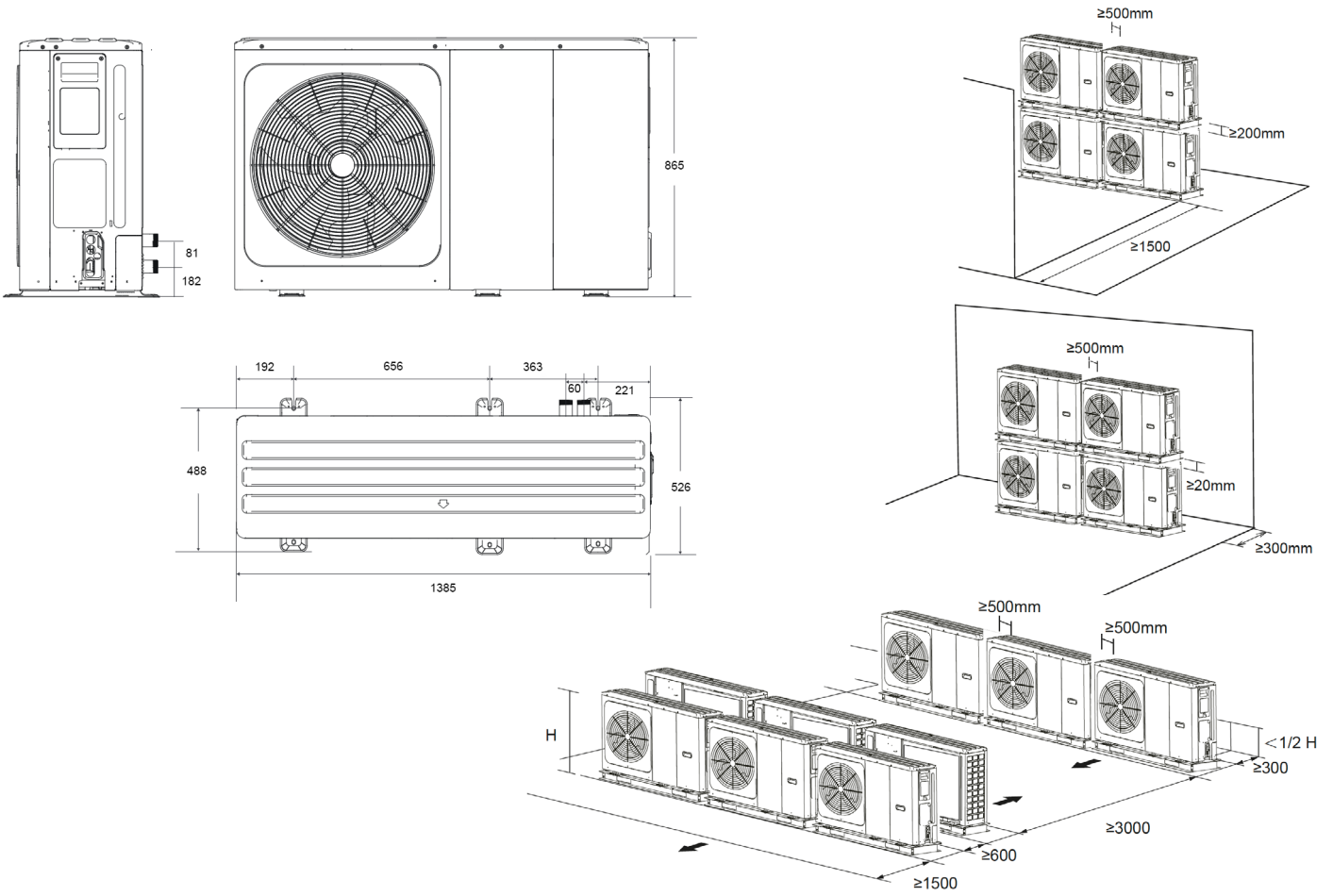
ELECTRICAL CONNECTION



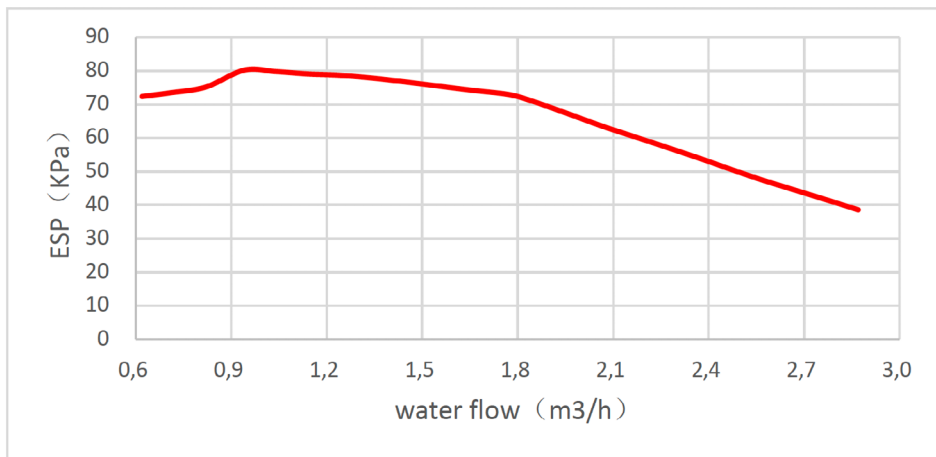
NOTES:
 (1) The data and specifications present in this sheet may vary without notice.
 (2) The images on this sheet are indicative and may be different from the final machine.



DIMENSIONS & INSTALLATION DISTANCES



PUMP CURVE



Abbreviations:
ESP: External static pressure

PERFORMANCES

| | Heating | | | | Cooling | |
|---------------------------|--------------------------------|--------------------------------|--------------------------------|--------------------------------|---------------------------------|--------------------------------|
| | A+7°C Capacity kW / W+35°C COP | A+7°C Capacity kW / W+55°C COP | A-7°C Capacity kW / W+35°C COP | A-7°C Capacity kW / W+55°C COP | A+35°C Capacity kW / W+18°C EER | A+35°C Capacity kW / W+7°C EER |
| KHPS-MO 14 DVR PRO | 14,50 / 4,60 | 13,80 / 2,95 | 12,00 / 2,85 | 11,00 / 2,05 | 13,50 / 3,60 | 12,40 / 2,50 |

SOUND PRESSURE

| | Sound pressure Outdoor unit dB(A) |
|---------------------------|-----------------------------------|
| KHPS-MO 14 DVR PRO | 53,5 (230V) |



Kaysun
by Frigicoll

ES

FR

ENGLISH

LANGUAGES

Aquantia KHPS-MO PRO

Monobloc Set

PRODUCT SHEET



Standard controller

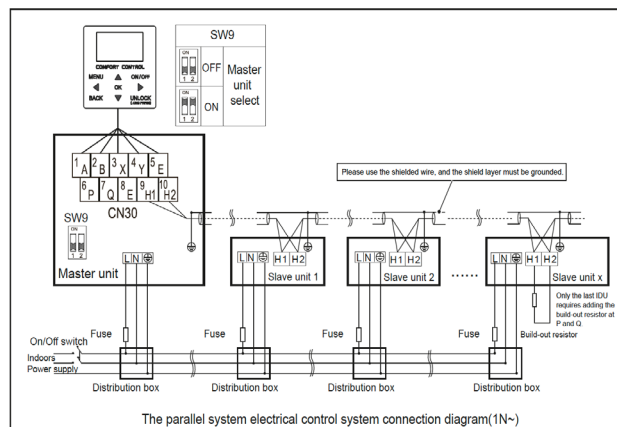
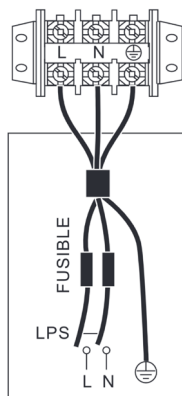
Product certified by:



FEATURES

| Model | Set | KHPS-MO 16 DVR PRO |
|--------------------------|---|--|
| | Outdoor unit | KHP-MO 16 DVR2 |
| Outdoor unit | Net / Gross weight | 144,0 kg / 170,0 kg |
| | Connections diameter | R5/4" |
| | Drain connection | DN32 mm |
| | Expansion vessel included | 8,0 L |
| | Max. pump available pressure | 8,5 m |
| | Rated water flow | 2,73 m ³ /h |
| | Water flow range | 0,7 ~ 3,0 m ³ /h |
| | Power supply | 220-240 V / 1 / 50 Hz |
| | Max. intensity | 43,0 A |
| | Recommended fuse | D45 A |
| | Backup electrical resistance | 3,0 kW |
| DHW tank (not included) | Minimum DHW coil area | Stainless Enamelled steel |
| | | 1,6 m ² 2,5 m ² |
| | Recommended tank capacity | 200 L ~ 500 L |
| | Recommended model | BSX270 / BSX475 |
| | Max. tank installation distance from the outdoor unit | 5 m |
| Water outlet temperature | Heating & DHW | +25 ~ +65 °C |
| | Cooling | +5 ~ +25 °C |
| Operating range | Heating | -25 ~ +35 °C |
| | DHW | -25 ~ +43 °C |
| | Cooling | -5 ~ +43 °C |

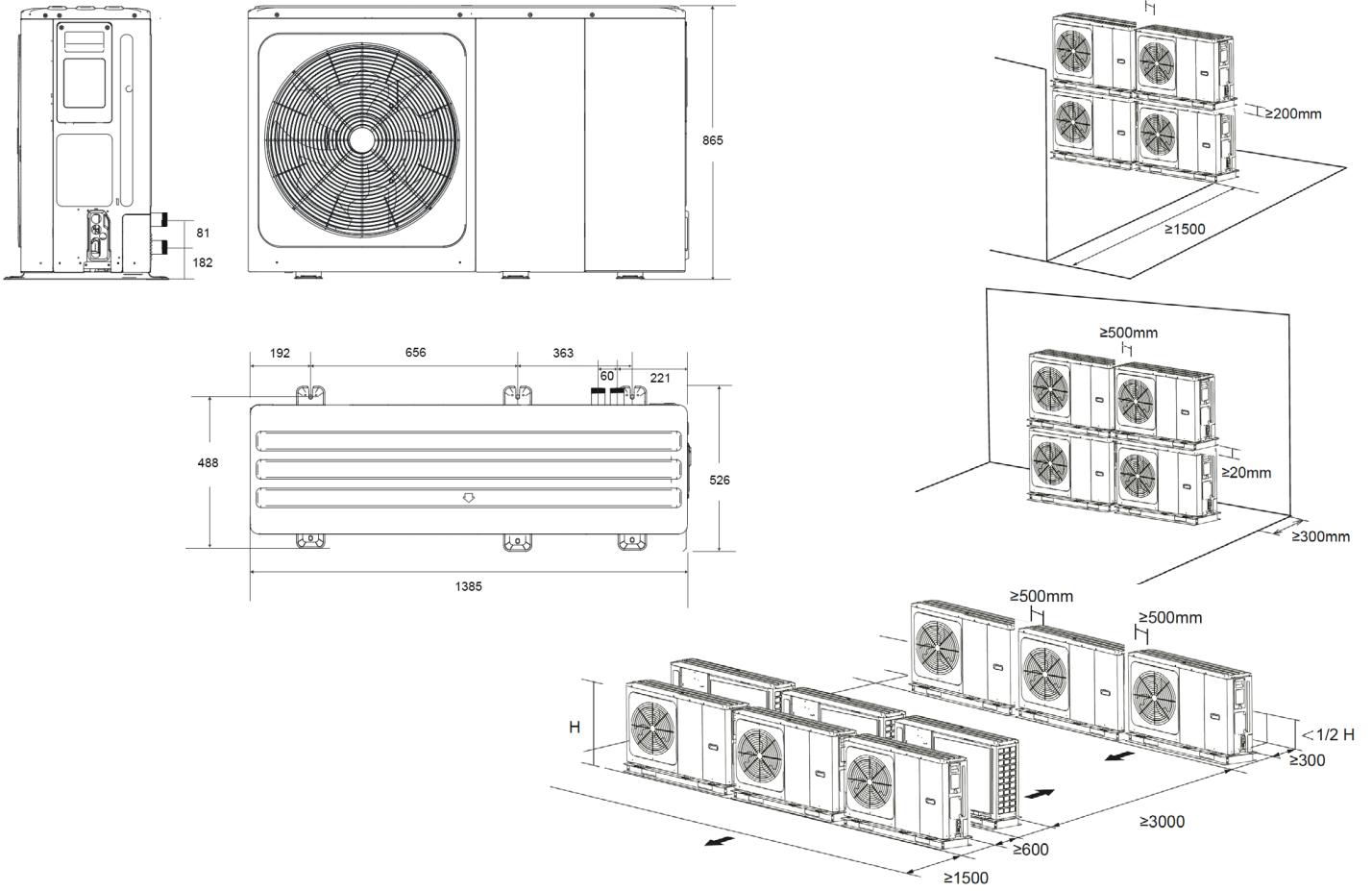
ELECTRICAL CONNECTION



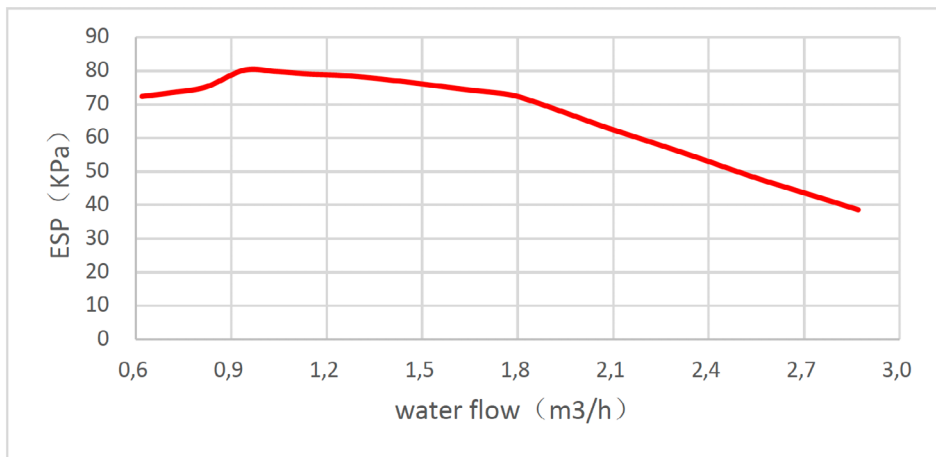
NOTES:
 (1) The data and specifications present in this sheet may vary without notice.
 (2) The images on this sheet are indicative and may be different from the final machine.



DIMENSIONS & INSTALLATION DISTANCES



PUMP CURVE



Abbreviations:
ESP: External static pressure

PERFORMANCES

| | Heating | | | | Cooling | |
|---------------------------|--------------------------------|--------------------------------|--------------------------------|--------------------------------|---------------------------------|--------------------------------|
| | A+7°C Capacity kW / W+35°C COP | A+7°C Capacity kW / W+55°C COP | A-7°C Capacity kW / W+35°C COP | A-7°C Capacity kW / W+55°C COP | A+35°C Capacity kW / W+18°C EER | A+35°C Capacity kW / W+7°C EER |
| KHPS-MO 16 DVR PRO | 15,90 / 4,50 | 16,00 / 2,85 | 13,10 / 2,70 | 12,50 / 2,00 | 14,90 / 3,40 | 14,00 / 2,50 |

SOUND PRESSURE

| | Sound pressure Outdoor unit dB(A) |
|---------------------------|--------------------------------------|
| KHPS-MO 16 DVR PRO | 57,5 (230V) |