



Aquantia KHPIS-BI PRO

Bibloc Integrated Set

PRODUCT SHEET



Product certified by:  



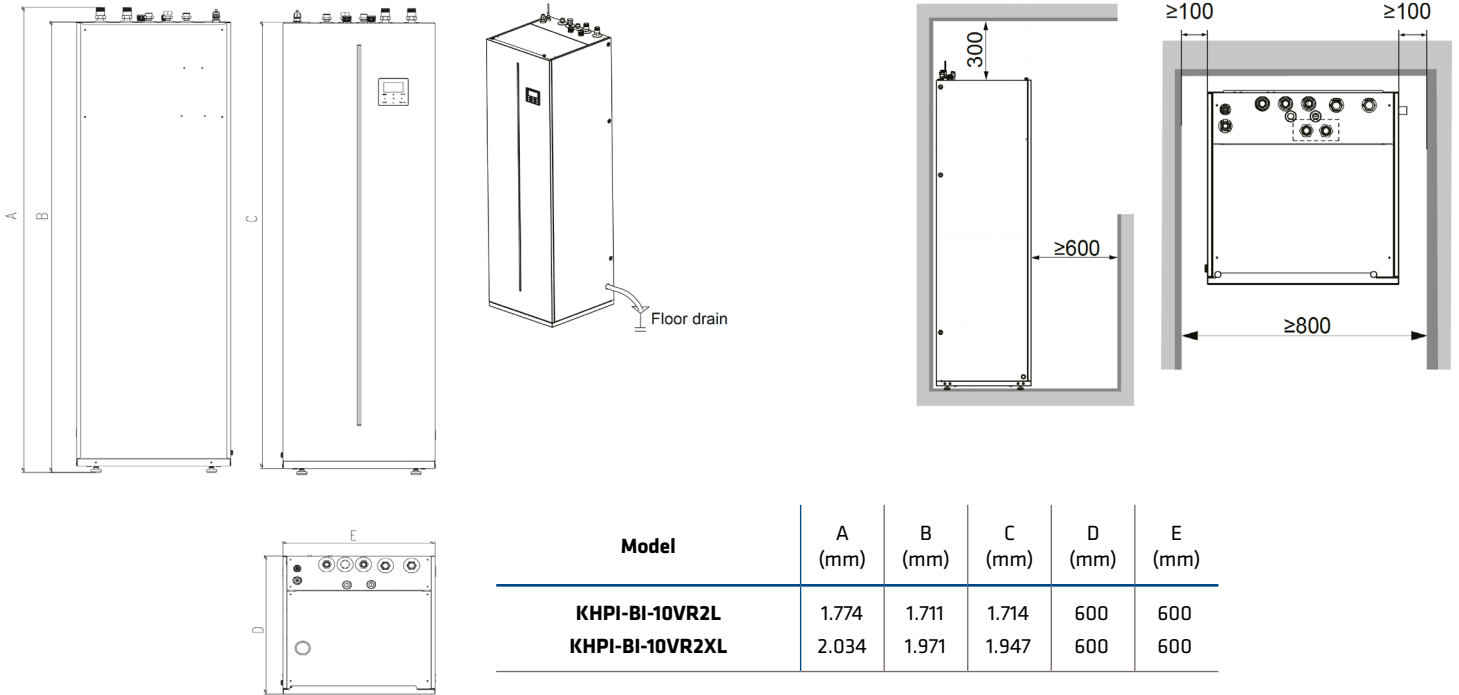
FEATURES

Model	Set	KHPIS-BI 4 PRO L	KHPIS-BI 4 PRO XL
	Indoor unit	KHPI-BI-10VR2L	KHPI-BI-10VR2XL
	Outdoor unit	KHP-BI 4 DVR2	
Outdoor unit	Net / Gross weight	60,0 kg / 65,5 kg	
	Drain connection	DN32 mm	
	Sound power	56 dB(A)	
	Power supply	220-240 V / 1 / 50 Hz	
	Max. intensity	18,0 A	
	Recommended fuse	D20 A	
	Refrigerant / Refrigerant charge	R-32 / 1,5 kg	
	Additional refrigerant charge (from 15 m)	20,0 g/m	
	Liquid / gas pipe diameter (OD)	Ø6,35 mm / Ø15,9 mm	
	Max. vertical / total distance	20 m / 30 m	
Indoor unit	DHW tank capacity	190 L	240 L
	DHW tank material	Stainless steel SUS 316 L	
	Insulation (thickness)	Injected polyurethane (45 mm)	
	Cathodic protection	Not necessary	
	Heating circuit diameter	G1"	
	DHW circuit diameter	G3/4"	
	Expansion vessel included	8,0 L	
	Max. pump available pressure	8,5 m	
	Net / gross curb weight	138,6 kg / 153,8 kg	155,3 kg / 170,2 kg
	Sound power	38 dB	38 dB
	Power supply	220-240 V / 1 / 50 Hz	
	Rated input	3,10 kW	
	Max. intensity	14,30 A	
	Recommended fuse	C16 A	
	Backup electrical resistance	3,0 kW	
Rated water flow	0,7 m ³ /h		
Water flow range	0,4 ~ 2,1 m ³ /h		
Water outlet temperature	Heating & DHW	+25 ~ +65 °C	
	Cooling	+5 ~ +25 °C	
Operating range	Heating	-25 ~ +35 °C	
	DHW	-25 ~ +43 °C	
	Cooling	-5 ~ +43 °C	

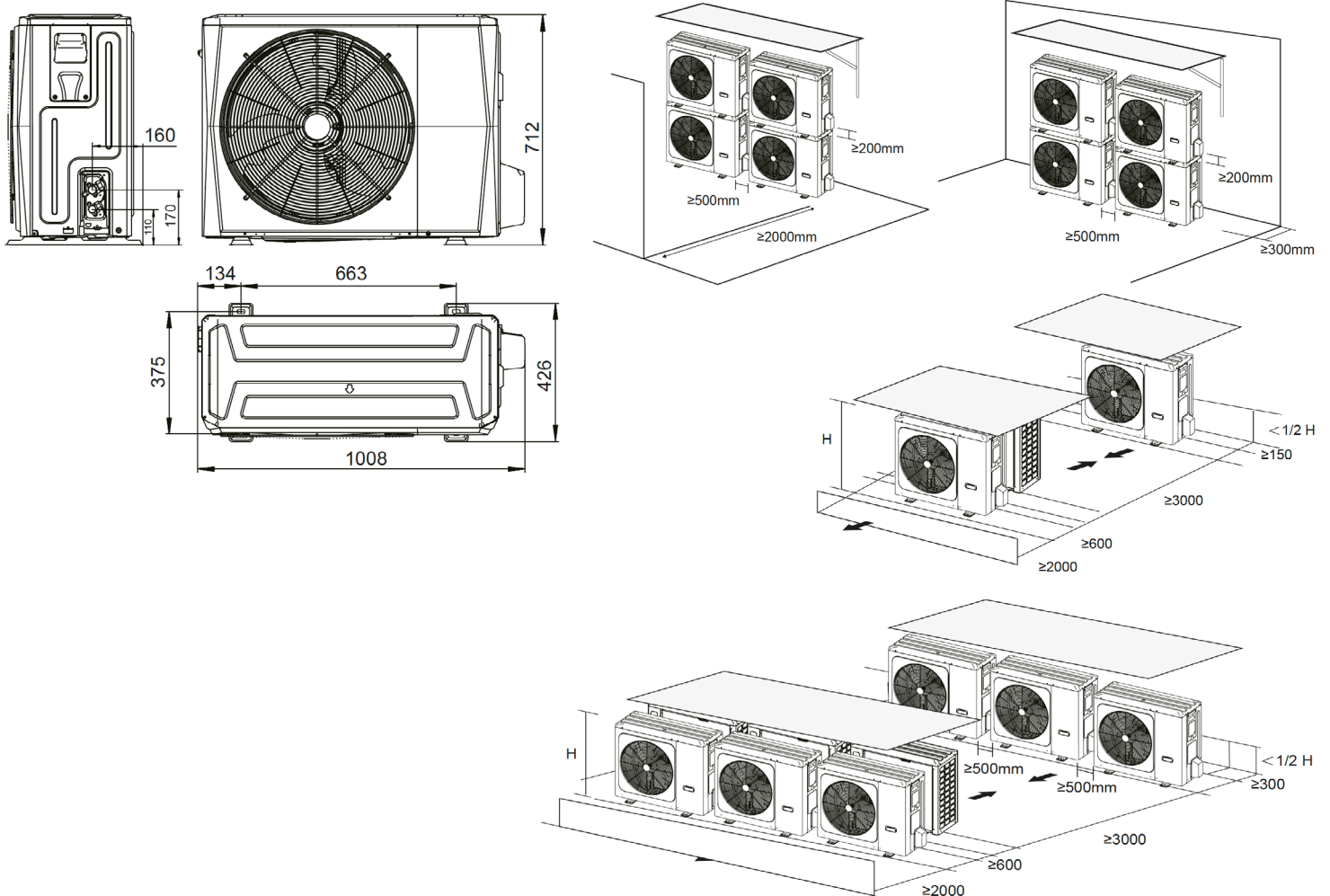
NOTES:

- (1) The data and specifications present in this sheet may vary without notice.
 (2) The images on this sheet are indicative and may be different from the final machine.

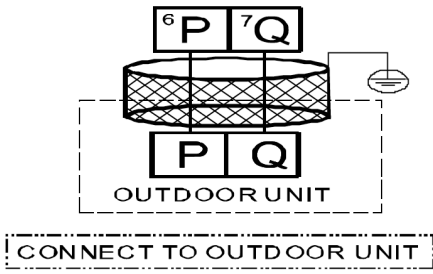
INDOOR UNIT DIMENSIONS & INSTALLATION DISTANCES



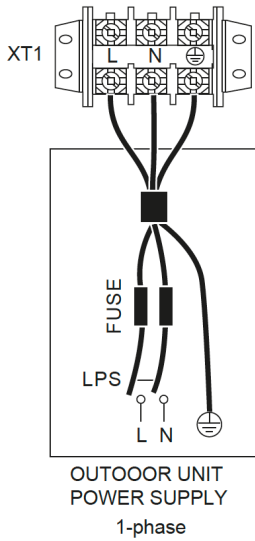
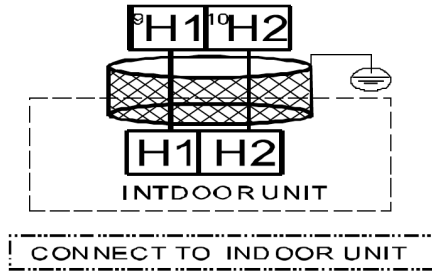
OUTDOOR UNIT DIMENSIONS & INSTALLATION DISTANCES



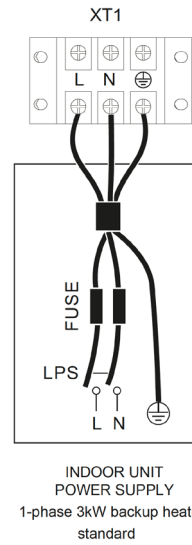
ELECTRICAL CONNECTION



Internal machine parallel



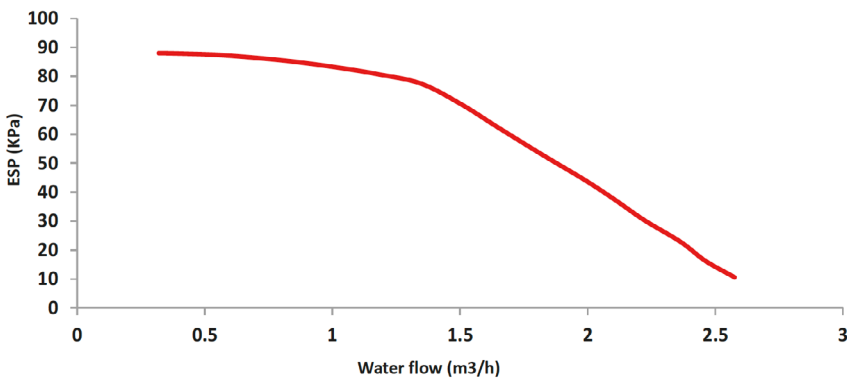
Unit	4 kW
Max. overcurrent protector (MOP) (A)	18 A
Wiring size (mm ²)	4,0 mm ²



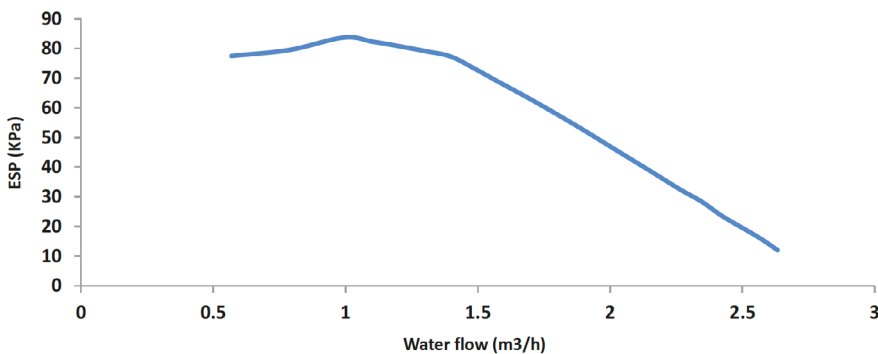
Unit	3 kW - 1 PH
Wiring size	4,0 mm ²

PUMP CURVE

With 190L water tank



With 240L water tank



PERFORMANCES

	Heating				Cooling	
	A+7°C Capacity kW / W+35°C COP	A+7°C Capacity kW / W+55°C COP	A-7°C Capacity kW / W+35°C COP	A-7°C Capacity kW / W+55°C COP	A+35°C Capacity kW / W+18°C EER	A+35°C Capacity kW / W+7°C EER
KHPIS-BI 4 PRO L/XL	4,25 / 5,20	4,40 / 2,95	4,70 / 3,10	4,00 / 1,95	4,50 / 5,55	4,70 / 3,45

ACS PERFORMANCE CERTIFIED BY KEYMARK

	Energy class ACS	Profile ACS	SCOP ACS / Medium climate	SCOP ACS / Warm climate
KHPIS-BI 4 PRO L/XL	A+	L / XL	3,10 / 3,34	3,80 / 4,24

SOUND PRESSURE

	Sound pressure Outdoor unit dB(A)	Sound pressure Indoor unit dB(A)
KHPIS-BI 4 PRO L/XL	44	25 (L) / 25 (XL)

Aquantia KHPIS-BI PRO

Bibloc Integrated Set

PRODUCT SHEET



Product certified by:



FEATURES

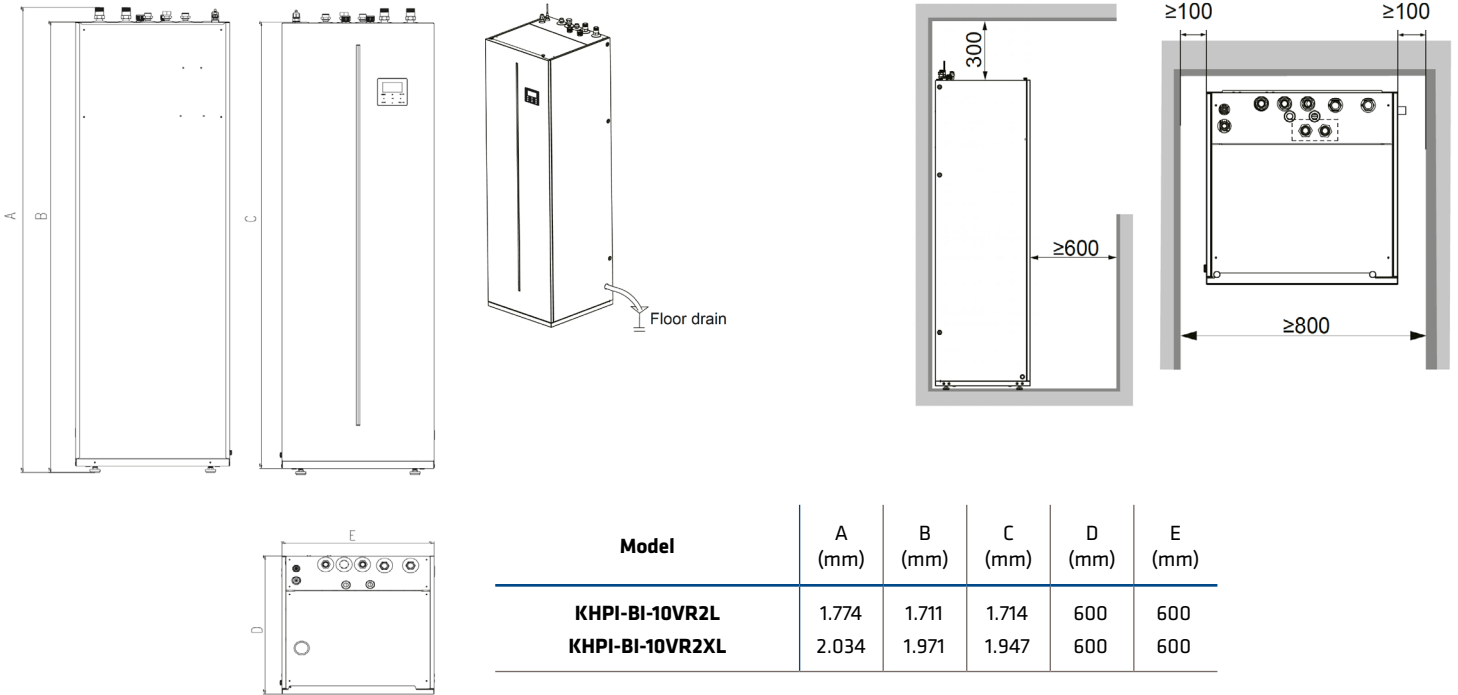
Model	Set	KHPIS-BI 6 PRO L	KHPIS-BI 6 PRO XL
	Indoor unit	KHPI-BI-10VR2L	KHPI-BI-10VR2XL
	Outdoor unit	KHP-BI 6 DVR2	
Outdoor unit	Net / Gross weight	60,0 kg / 65,5 kg	
	Drain connection	DN32 mm	
	Sound power	58 dB(A)	
	Power supply	220-240 V / 1 / 50 Hz	
	Max. intensity	18,0 A	
	Recommended fuse	D20 A	
	Refrigerant / Refrigerant charge	R-32 / 1,5 kg	
	Additional refrigerant charge (from 15 m)	20,0 g/m	
	Liquid / gas pipe diameter (OD)	Ø6,35 mm / Ø15,9 mm	
	Max. vertical / total distance	20 m / 30 m	
Indoor unit	DHW tank capacity	190 L	240 L
	DHW tank material	Stainless steel SUS 316 L	
	Insulation (thickness)	Injected polyurethane (45 mm)	
	Cathodic protection	Not necessary	
	Heating circuit diameter	G1"	
	DHW circuit diameter	G3/4"	
	Expansion vessel included	8,0 L	
	Max. pump available pressure	8,5 m	
	Net / gross curb weight	138,6 kg / 153,8 kg	155,3 kg / 170,2 kg
	Sound power	38 dB	38 dB
	Power supply	220-240 V / 1 / 50 Hz	
	Rated input	3,10 kW	
	Max. intensity	14,30 A	
	Recommended fuse	C16 A	
	Backup electrical resistance	3,0 kW	
Rated water flow	1,1 m ³ /h		
Water flow range	0,4 ~ 2,1 m ³ /h		
Water outlet temperature	Heating & DHW	+25 ~ +65 °C	
	Cooling	+5 ~ +25 °C	
Operating range	Heating	-25 ~ +35 °C	
	DHW	-25 ~ +43 °C	
	Cooling	-5 ~ +43 °C	

NOTES:

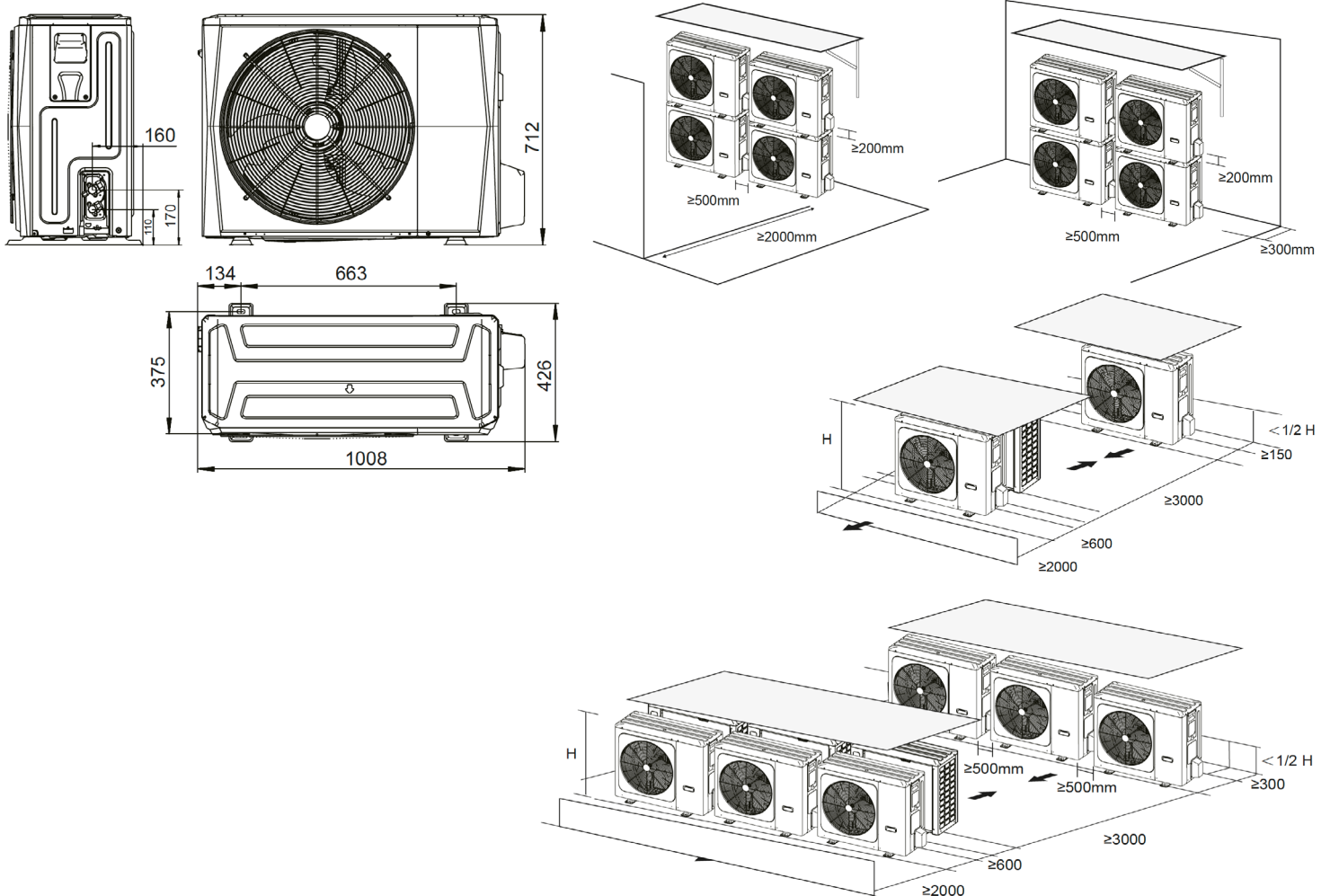
(1) The data and specifications present in this sheet may vary without notice.

(2) The images on this sheet are indicative and may be different from the final machine.

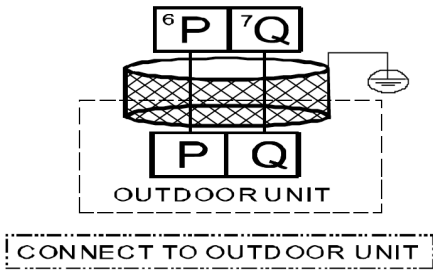
INDOOR UNIT DIMENSIONS & INSTALLATION DISTANCES



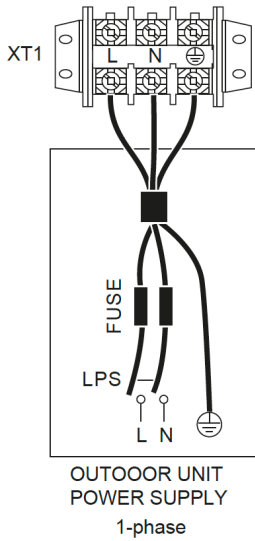
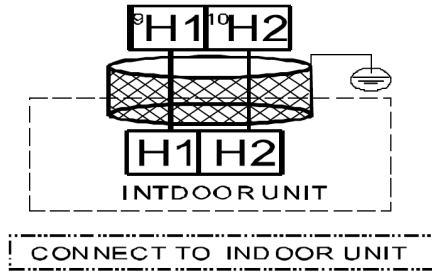
OUTDOOR UNIT DIMENSIONS & INSTALLATION DISTANCES



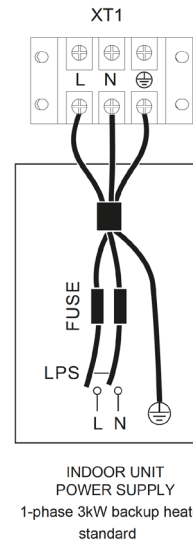
ELECTRICAL CONNECTION



Internal machine parallel



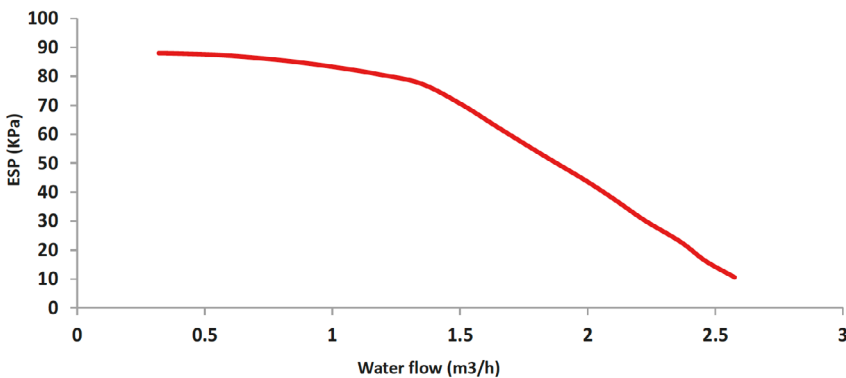
Unit	6 kW
Max. overcurrent protector (MOP) (A)	18 A
Wiring size (mm ²)	4,0 mm ²



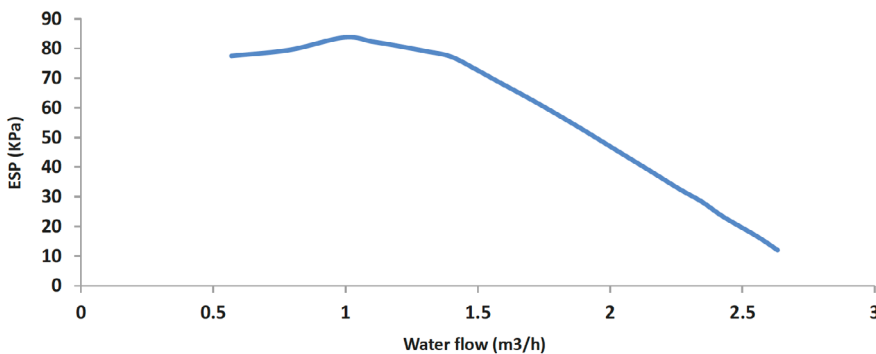
Unit	3 kW - 1 PH
Wiring size	4,0 mm ²

PUMP CURVE

With 190L water tank



With 240L water tank



PERFORMANCES

	Heating				Cooling	
	A+7°C Capacity kW / W+35°C COP	A+7°C Capacity kW / W+55°C COP	A-7°C Capacity kW / W+35°C COP	A-7°C Capacity kW / W+55°C COP	A+35°C Capacity kW / W+18°C EER	A+35°C Capacity kW / W+7°C EER
KHPIS-BI 6 PRO L/XL	6,20 / 5,00	6,00 / 3,00	6,00 / 3,00	5,15 / 2,00	6,55 / 4,90	7,00 / 3,00

ACS PERFORMANCE CERTIFIED BY KEYMARK

	Energy class ACS	Profile ACS	SCOP ACS / Medium climate	SCOP ACS / Warm climate
KHPIS-BI 6 PRO L/XL	A+	L / XL	3,10 / 3,34	3,80 / 4,24

SOUND PRESSURE



	Sound pressure Outdoor unit dB(A)	Sound pressure Indoor unit dB(A)
KHPIS-BI 6 PRO L/XL	45	25 (L) / 25 (XL)

Aquantia KHPIS-BI PRO

Bibloc Integrated Set

PRODUCT SHEET



Product certified by:  



FEATURES

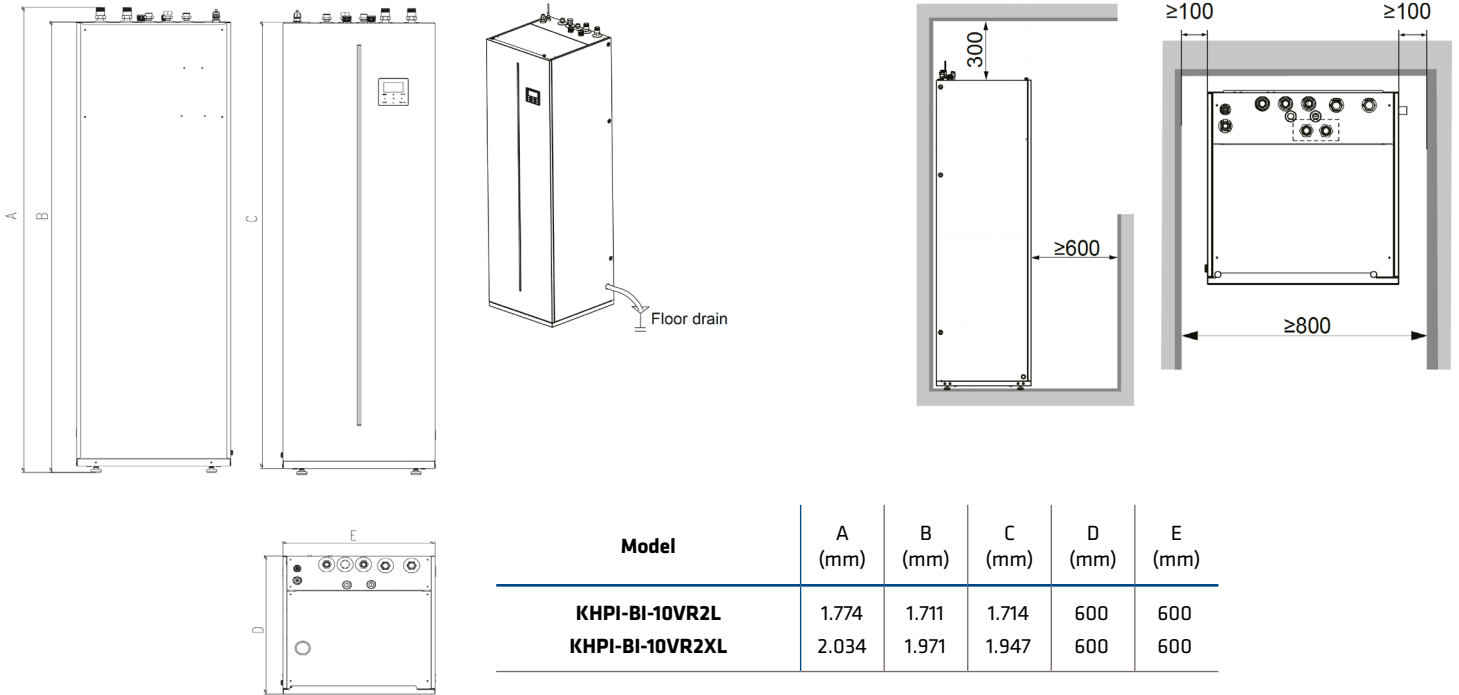
Model	Set	KHPIS-BI 8 PRO L	KHPIS-BI 8 PRO XL
	Indoor unit	KHPI-BI-10VR2L	KHPI-BI-10VR2XL
	Outdoor unit	KHP-BI 8 DVR2	
Outdoor unit	Net / Gross weight	78,5 kg / 92,0 kg	
	Drain connection	DN32 mm	
	Sound power	59 dB(A)	
	Power supply	220-240 V / 1 / 50 Hz	
	Max. intensity	19,0 A	
	Recommended fuse	D20 A	
	Refrigerant / Refrigerant charge	R-32 / 1,65 kg	
	Additional refrigerant charge (from 15 m)	38,0 g/m	
	Liquid / gas pipe diameter (OD)	Ø9,52 mm / Ø15,9 mm	
	Max. vertical / total distance	20 m / 30 m	
Indoor unit	DHW tank capacity	190 L	240 L
	DHW tank material	Stainless steel SUS 316 L	
	Insulation (thickness)	Injected polyurethane (45 mm)	
	Cathodic protection	Not necessary	
	Heating circuit diameter	G1"	
	DHW circuit diameter	G3/4"	
	Expansion vessel included	8,0 L	
	Max. pump available pressure	8,5 m	
	Net / gross curb weight	138,6 kg / 153,8 kg	155,3 kg / 170,2 kg
	Sound power	40 dB	40 dB
	Power supply	220-240 V / 1 / 50 Hz	
	Rated input	3,10 kW	
	Max. intensity	14,30 A	
	Recommended fuse	C16 A	
	Backup electrical resistance	3,0 kW	
Rated water flow	1,4 m ³ /h		
Water flow range	0,4 ~ 2,1 m ³ /h		
Water outlet temperature	Heating & DHW	+25 ~ +65 °C	
	Cooling	+5 ~ +25 °C	
Operating range	Heating	-25 ~ +35 °C	
	DHW	-25 ~ +43 °C	
	Cooling	-5 ~ +43 °C	

NOTES:

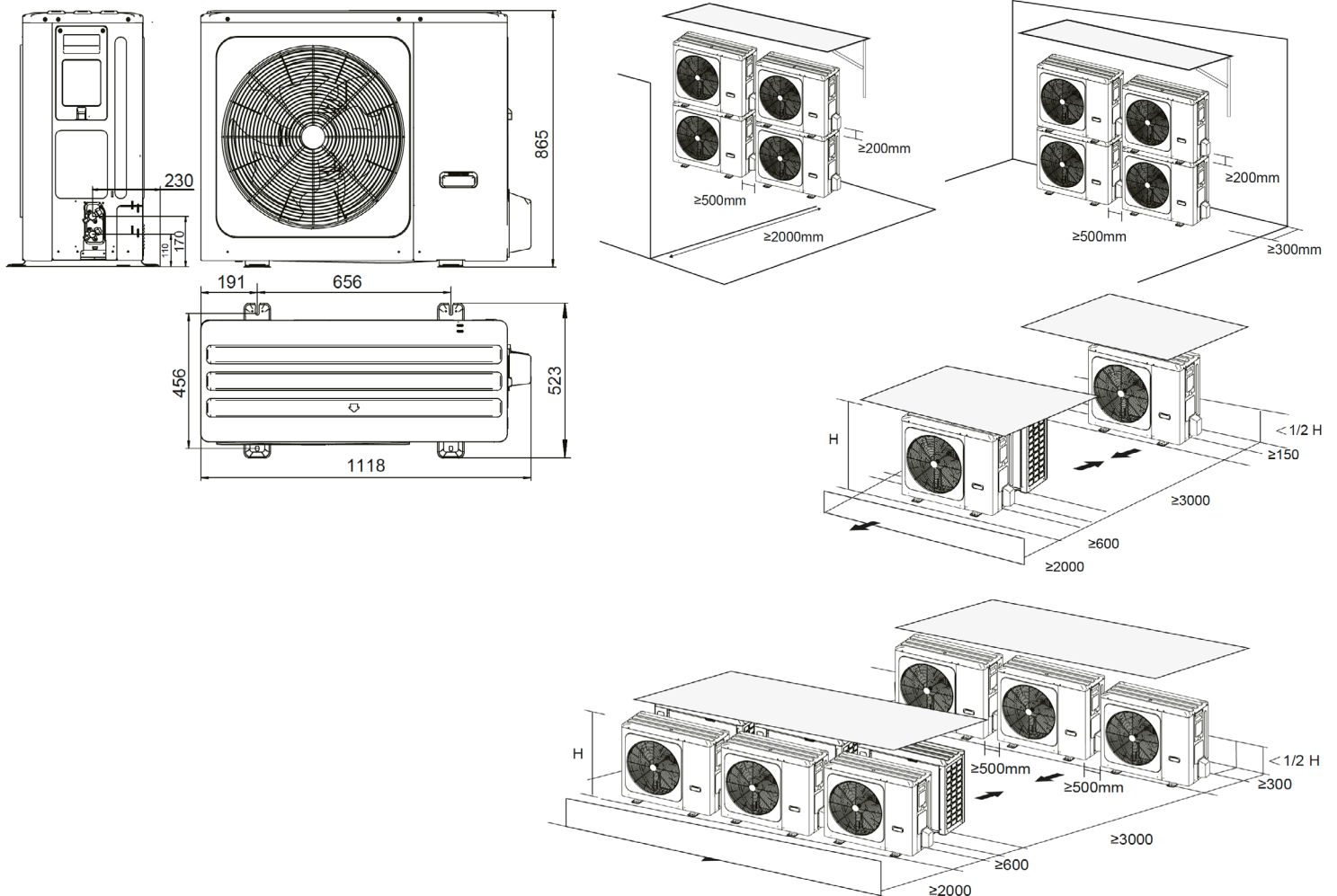
(1) The data and specifications present in this sheet may vary without notice.

(2) The images on this sheet are indicative and may be different from the final machine.

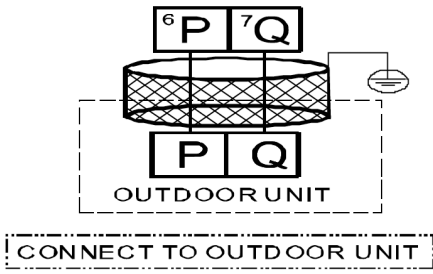
INDOOR UNIT DIMENSIONS & INSTALLATION DISTANCES



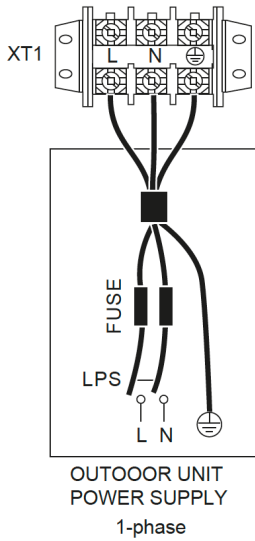
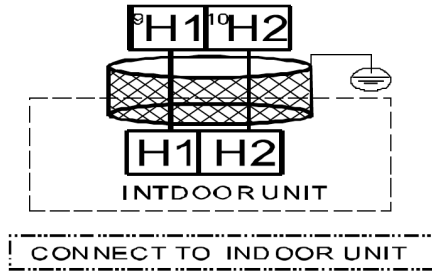
OUTDOOR UNIT DIMENSIONS & INSTALLATION DISTANCES



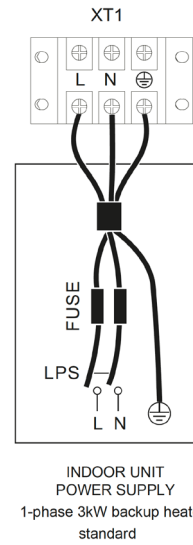
ELECTRICAL CONNECTION



Internal machine parallel



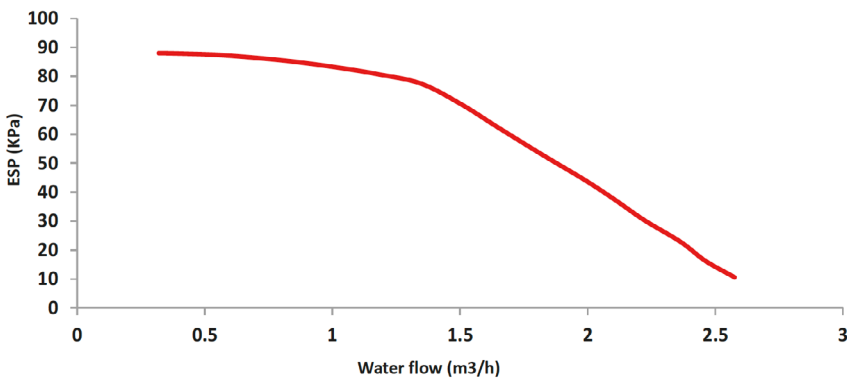
Unit	8 kW
Max. overcurrent protector (MOP) (A)	19 A
Wiring size (mm ²)	4,0 mm ²



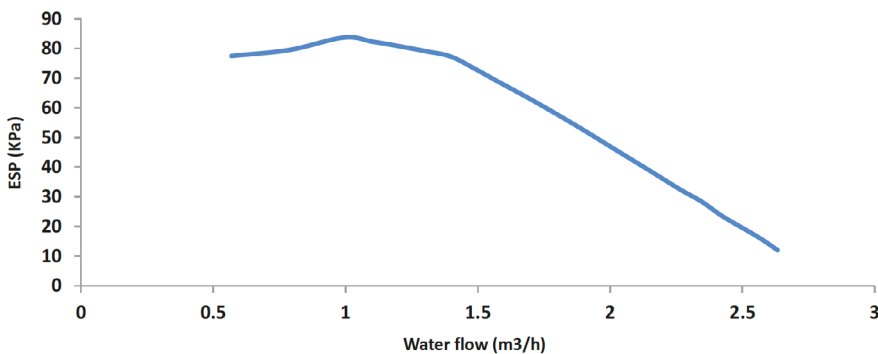
Unit	3 kW - 1 PH
Wiring size	4,0 mm ²

PUMP CURVE

With 190L water tank



With 240L water tank



PERFORMANCES

	Heating				Cooling	
	A+7°C Capacity kW / W+35°C COP	A+7°C Capacity kW / W+55°C COP	A-7°C Capacity kW / W+35°C COP	A-7°C Capacity kW / W+55°C COP	A+35°C Capacity kW / W+18°C EER	A+35°C Capacity kW / W+7°C EER
KHPIS-BI 8 PRO L/XL	8,30 / 5,20	7,50 / 3,18	7,00 / 3,20	6,15 / 2,05	8,40 / 5,05	7,40 / 3,38

ACS PERFORMANCE CERTIFIED BY KEYMARK

	Energy class ACS	Profile ACS	SCOP ACS / Medium climate	SCOP ACS / Warm climate
KHPIS-BI 8 PRO L/XL	A+	L / XL	3,02 / 3,36	3,66 / 4,18

SOUND PRESSURE



	Sound pressure Outdoor unit dB(A)	Sound pressure Indoor unit dB(A)
KHPIS-BI 8 PRO L/XL	46	25 (L) / 25 (XL)

Aquantia KHPIS-BI PRO

Bibloc Integrated Set

PRODUCT SHEET



Product certified by:  



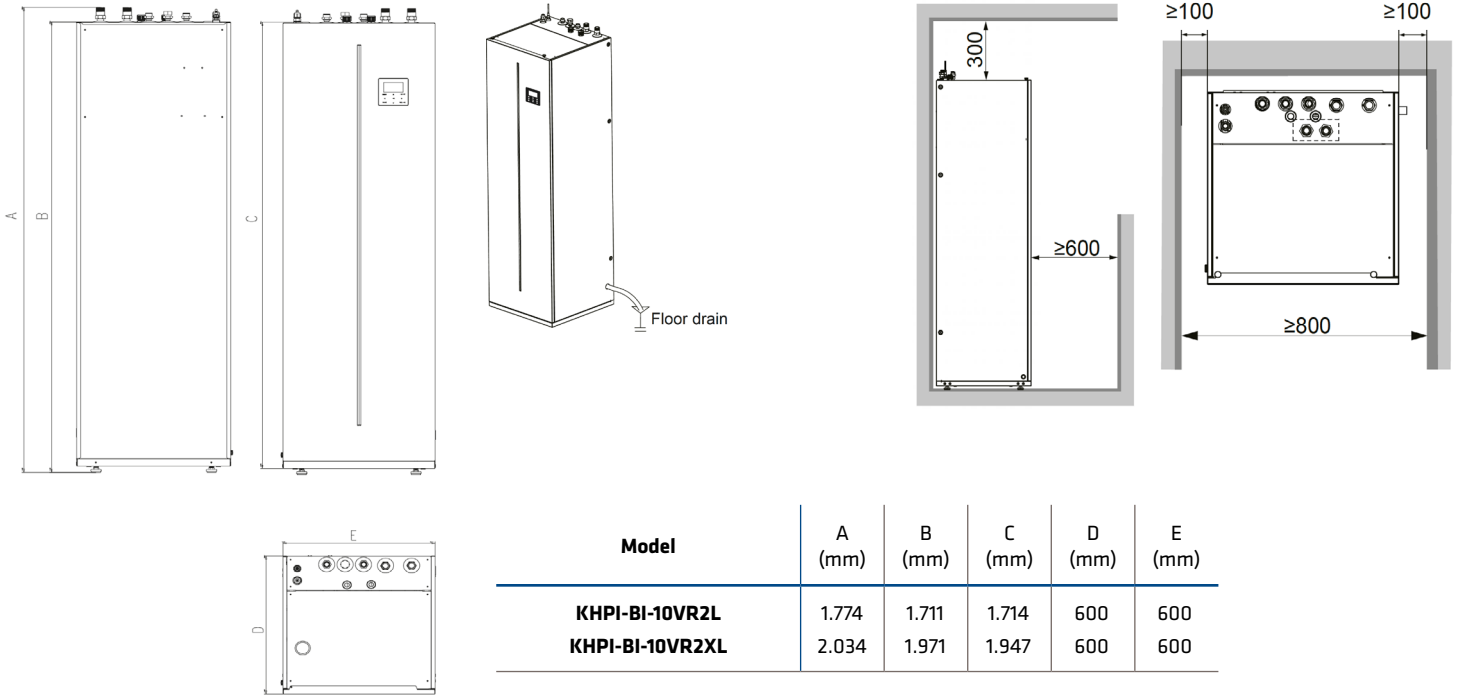
FEATURES

Model	Set	KHPIS-BI 10 PRO L	KHPIS-BI 10 PRO XL
	Indoor unit	KHPI-BI-10VR2L	
	Outdoor unit	KHP-BI 10 DVR2	
Outdoor unit	Net / Gross weight	78,5 kg / 92,0 kg	
	Drain connection	DN32 mm	
	Sound power	60 dB(A)	
	Power supply	220-240 V / 1 / 50 Hz	
	Max. intensity	19,0 A	
	Recommended fuse	D20 A	
	Refrigerant / Refrigerant charge	R-32 / 1,65 kg	
	Additional refrigerant charge (from 15 m)	38,0 g/m	
	Liquid / gas pipe diameter (OD)	Ø9,52 mm / Ø15,9 mm	
	Max. vertical / total distance	20 m / 30 m	
Indoor unit	DHW tank capacity	190 L	240 L
	DHW tank material	Stainless steel SUS 316 L	
	Insulation (thickness)	Injected polyurethane (45 mm)	
	Cathodic protection	Not necessary	
	Heating circuit diameter	G1"	
	DHW circuit diameter	G3/4"	
	Expansion vessel included	8,0 L	
	Max. pump available pressure	8,5 m	
	Net / gross curb weight	138,6 kg / 153,8 kg	155,3 kg / 170,2 kg
	Sound power	40 dB	40 dB
	Power supply	220-240 V / 1 / 50 Hz	
	Rated input	3,10 kW	
	Max. intensity	14,30 A	
	Recommended fuse	C16 A	
	Backup electrical resistance	3,0 kW	
Rated water flow	1,7 m ³ /h		
Water flow range	0,4 ~ 2,1 m ³ /h		
Water outlet temperature	Heating & DHW	+25 ~ +65 °C	
	Cooling	+5 ~ +25 °C	
Operating range	Heating	-25 ~ +35 °C	
	DHW	-25 ~ +43 °C	
	Cooling	-5 ~ +43 °C	

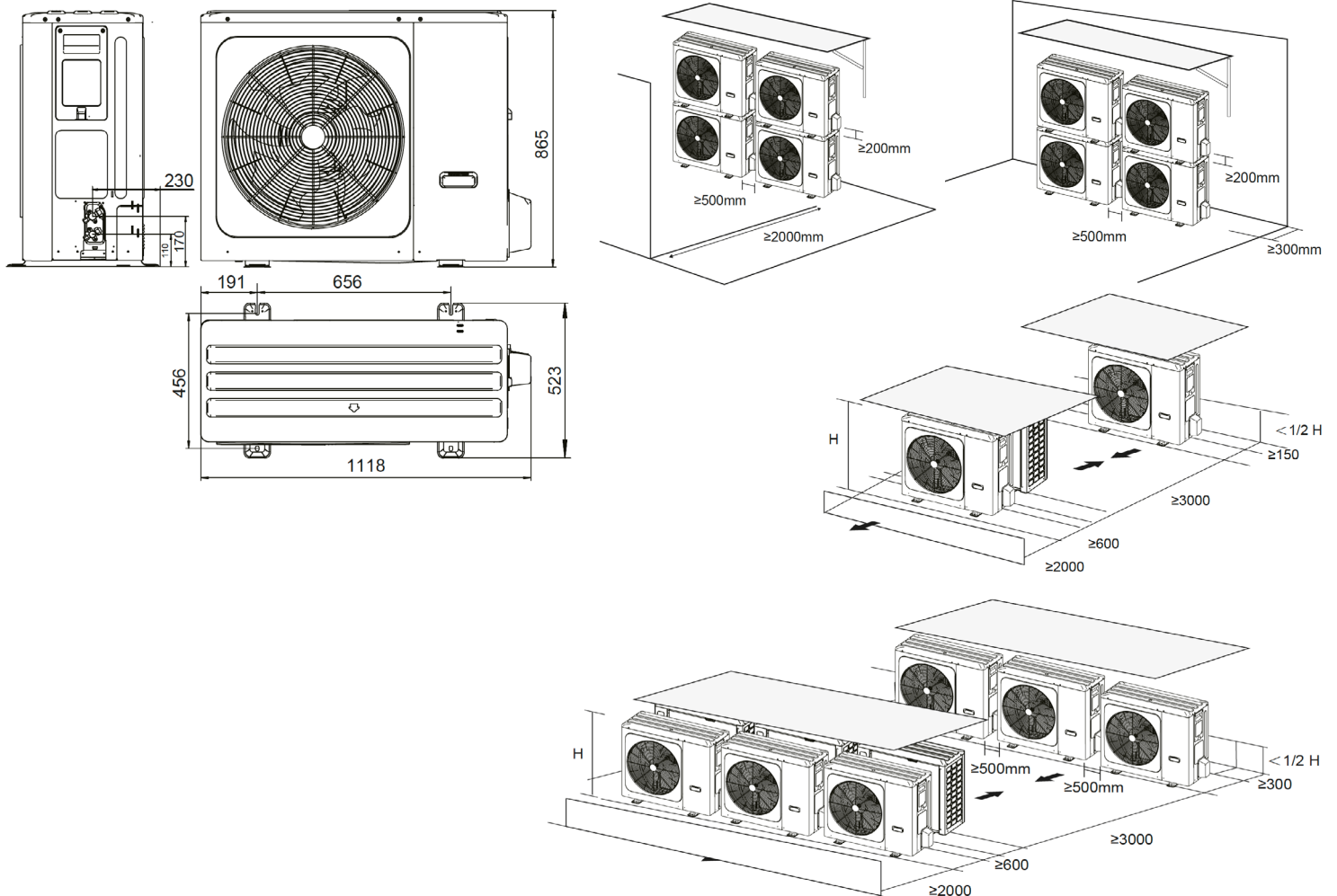
NOTES:

- (1) The data and specifications present in this sheet may vary without notice.
 (2) The images on this sheet are indicative and may be different from the final machine.

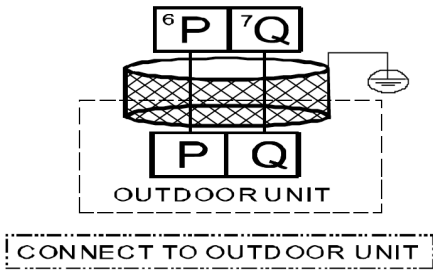
INDOOR UNIT DIMENSIONS & INSTALLATION DISTANCES



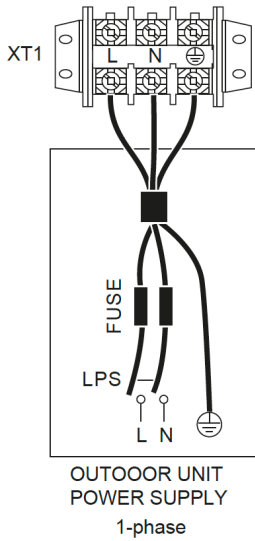
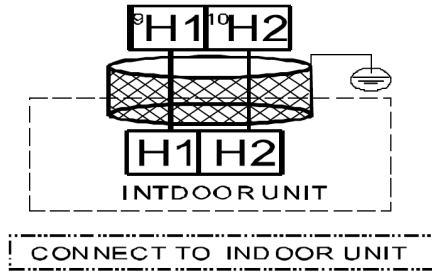
OUTDOOR UNIT DIMENSIONS & INSTALLATION DISTANCES



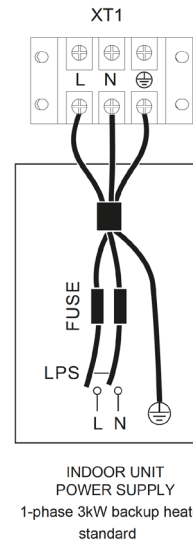
ELECTRICAL CONNECTION



Internal machine parallel



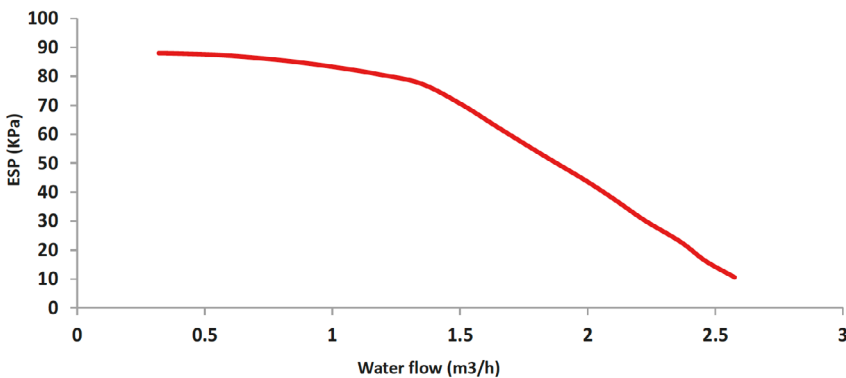
Unit	10 kW
Max. overcurrent protector (MOP) (A)	19 A
Wiring size (mm ²)	4,0 mm ²



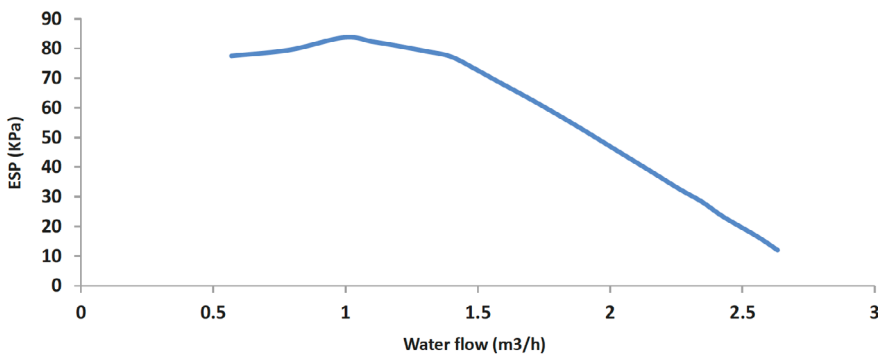
Unit	3 kW - 1 PH
Wiring size	4,0 mm ²

PUMP CURVE

With 190L water tank



With 240L water tank



PERFORMANCES

	Heating				Cooling	
	A+7°C Capacity kW / W+35°C COP	A+7°C Capacity kW / W+55°C COP	A-7°C Capacity kW / W+35°C COP	A-7°C Capacity kW / W+55°C COP	A+35°C Capacity kW / W+18°C EER	A+35°C Capacity kW / W+7°C EER
KHPIS-BI 10 PRO L/XL	10,00 / 5,00	9,50 / 3,10	8,00 / 3,05	6,85 / 2,00	10,00 / 4,80	8,20 / 3,30

ACS PERFORMANCE CERTIFIED BY KEYMARK

	Energy class ACS	Profile ACS	SCOP ACS / Medium climate	SCOP ACS / Warm climate
KHPIS-BI 10 PRO L/XL	A+	L / XL	3,02 / 3,36	3,66 / 4,18

SOUND PRESSURE

	Sound pressure Outdoor unit dB(A)	Sound pressure Indoor unit dB(A)
KHPIS-BI 10 PRO L/XL	48	25 (L) / 25 (XL)

Aquantia KHPIS-BI PRO

Bibloc Integrated Set

PRODUCT SHEET



Product certified by:



FEATURES

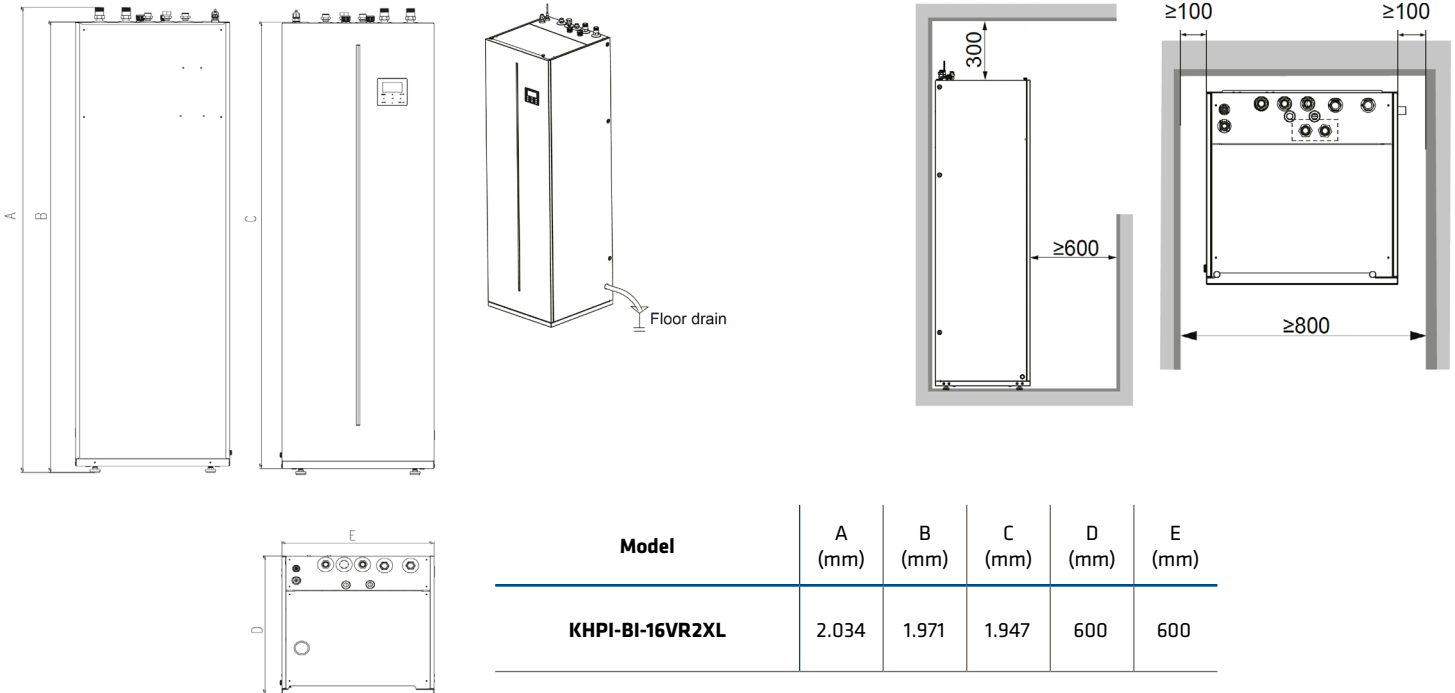
Model	Set	KHPIS-BI 12 PRO XL
	Indoor unit	KHPI-BI-16VR2XL
	Outdoor unit	KHP-BI 12 DVR2
Outdoor unit	Net / Gross weight	100 kg / 113,5 kg
	Drain connection	DN32 mm
	Sound power	64 dB(A)
	Power supply	220-240 V / 1 / 50 Hz
	Max. intensity	30,0 A
	Recommended fuse	D32 A
	Refrigerant / Refrigerant charge	R-32 / 1,84 kg
	Additional refrigerant charge (from 15 m)	38,0 g/m
	Liquid / gas pipe diameter (OD)	Ø9,52 mm / Ø15,9 mm
	Max. vertical / total distance	20 m / 30 m
Indoor unit	DHW tank capacity	240 L
	DHW tank material	Stainless steel SUS 316 L
	Insulation (thickness)	Injected polyurethane (45 mm)
	Cathodic protection	Not necessary
	Heating circuit diameter	G1"
	DHW circuit diameter	G3/4"
	Expansion vessel included	8,0 L
	Max. pump available pressure	8,5 m
	Net / gross curb weight	157,3 kg / 172,2 kg
	Sound power	44 dB
	Power supply	220-240 V / 1 / 50 Hz
	Rated input	3,10 kW
	Max. intensity	14,30 A
	Recommended fuse	C16 A
	Backup electrical resistance	3,0 kW
Rated water flow	2,1 m ³ /h	
Water flow range	0,7 ~ 3,0 m ³ /h	
Water outlet temperature	Heating & DHW	+25 ~ +65 °C
	Cooling	+5 ~ +25 °C
Operating range	Heating	-25 ~ +35 °C
	DHW	-25 ~ +43 °C
	Cooling	-5 ~ +43 °C

NOTES:

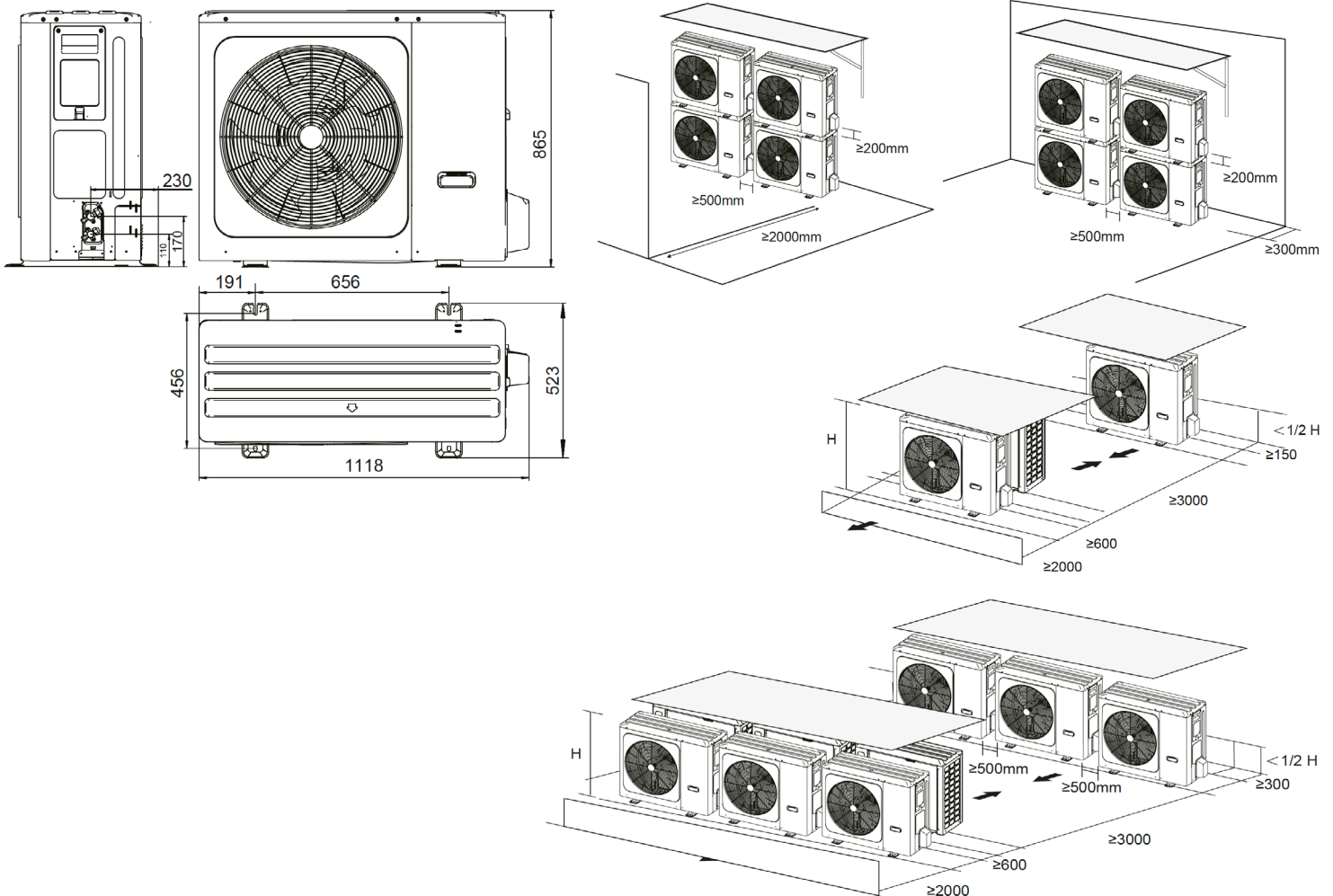
(1) The data and specifications present in this sheet may vary without notice.

(2) The images on this sheet are indicative and may be different from the final machine.

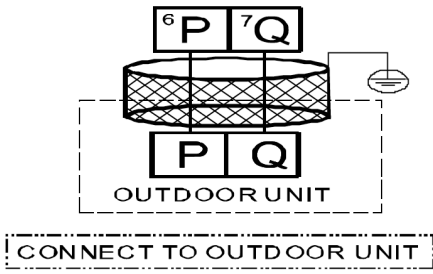
INDOOR UNIT DIMENSIONS & INSTALLATION DISTANCES



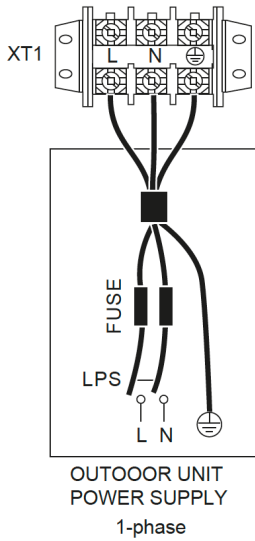
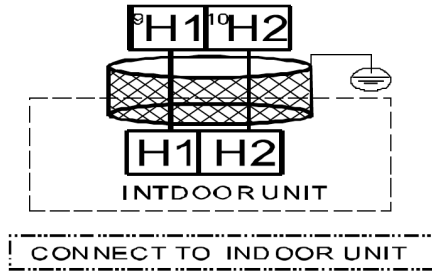
OUTDOOR UNIT DIMENSIONS & INSTALLATION DISTANCES



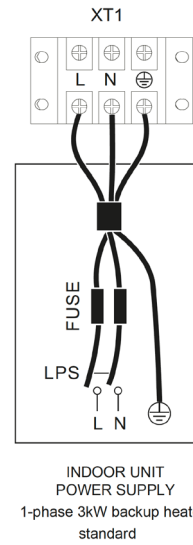
ELECTRICAL CONNECTION



Internal machine parallel



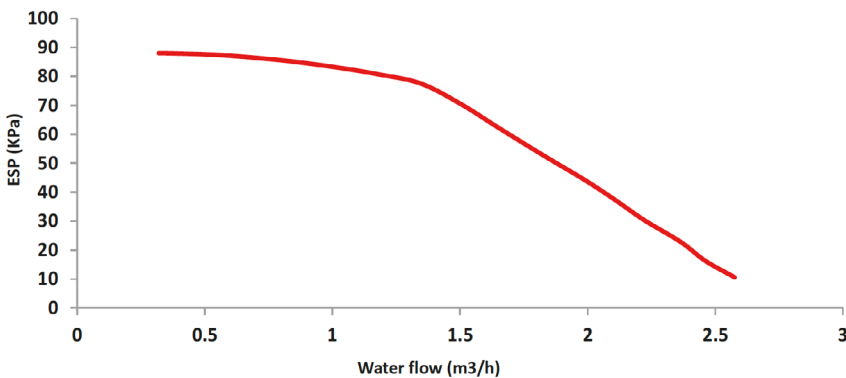
Unit	12 kW
Max. overcurrent protector (MOP) (A)	30 A
Wiring size (mm ²)	6,0 mm ²



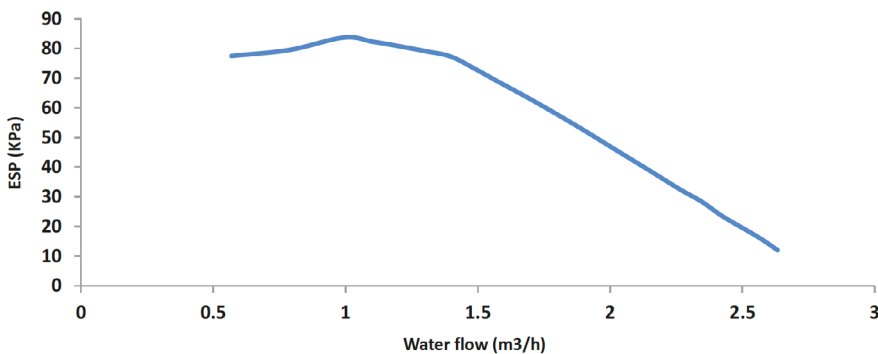
Unit	3 kW - 1 PH
Wiring size	4,0 mm ²

PUMP CURVE

With 190L water tank



With 240L water tank



PERFORMANCES

	Heating				Cooling	
	A+7°C Capacity kW / W+35°C COP	A+7°C Capacity kW / W+55°C COP	A-7°C Capacity kW / W+35°C COP	A-7°C Capacity kW / W+55°C COP	A+35°C Capacity kW / W+18°C EER	A+35°C Capacity kW / W+7°C EER
KHPIS-BI 12 PRO XL	12,10 / 4,95	12,00 / 3,10	10,00 / 3,00	9,80 / 2,05	12,00 / 4,00	11,60 / 2,75

ACS PERFORMANCE CERTIFIED BY KEYMARK

	Energy class ACS	Profile ACS	SCOP ACS / Medium climate	SCOP ACS / Warm climate
KHPIS-BI 12 PRO XL	A+	XL	3,00	3,73

SOUND PRESSURE

	Sound pressure Outdoor unit dB(A)	Sound pressure Indoor unit dB(A)
KHPIS-BI 12 PRO XL	50	29

Aquantia KHPIS-BI PRO

Bibloc Integrated Set

PRODUCT SHEET



Product certified by:



FEATURES

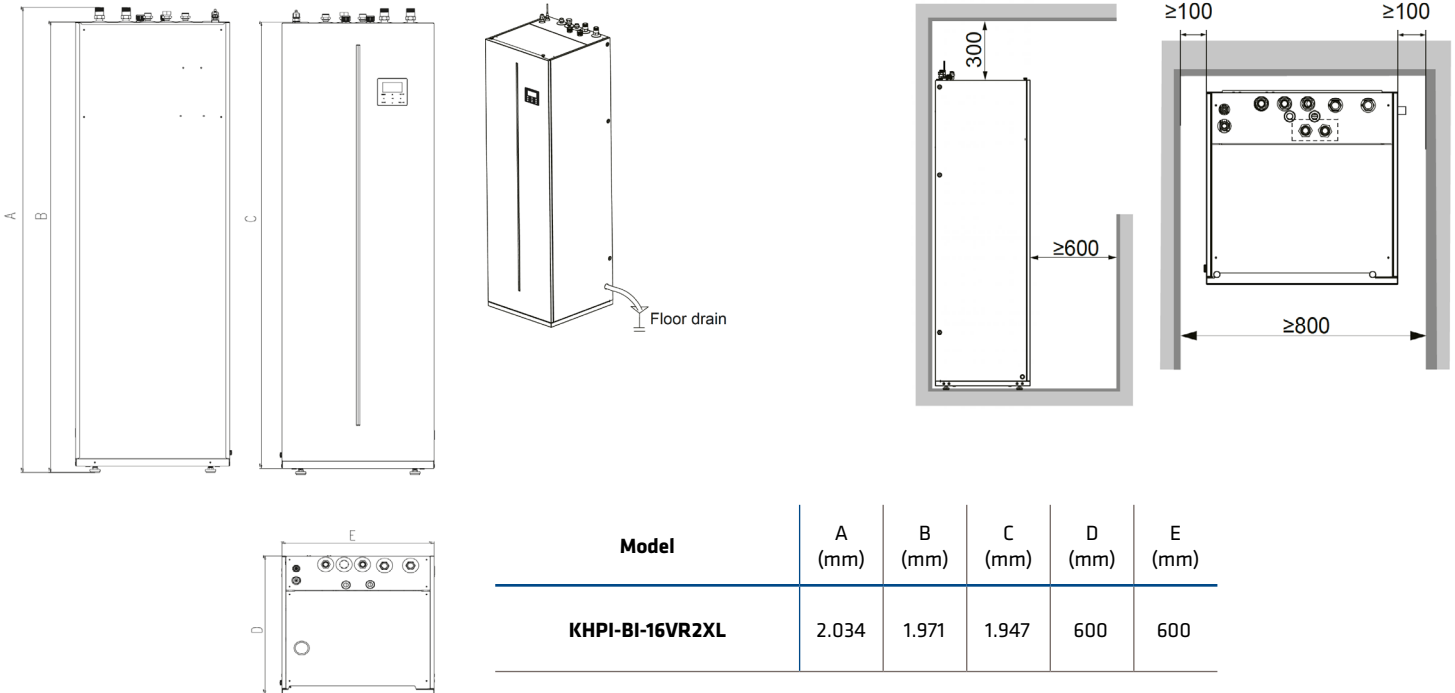
Model	Set	KHPIS-BI 14 PRO XL
	Indoor unit	KHPI-BI-16VR2XL
	Outdoor unit	KHP-BI 14 DVR2
Outdoor unit	Net / Gross weight	100 kg / 113,5 kg
	Drain connection	DN32 mm
	Sound power	65 dB(A)
	Power supply	220-240 V / 1 / 50 Hz
	Max. intensity	30,0 A
	Recommended fuse	D32 A
	Refrigerant / Refrigerant charge	R-32 / 1,84 kg
	Additional refrigerant charge (from 15 m)	38,0 g/m
	Liquid / gas pipe diameter (OD)	Ø9,52 mm / Ø15,9 mm
	Max. vertical / total distance	20 m / 30 m
Indoor unit	DHW tank capacity	240 L
	DHW tank material	Stainless steel SUS 316 L
	Insulation (thickness)	Injected polyurethane (45 mm)
	Cathodic protection	Not necessary
	Heating circuit diameter	G1"
	DHW circuit diameter	G3/4"
	Expansion vessel included	8,0 L
	Max. pump available pressure	8,5 m
	Net / gross curb weight	157,3 kg / 172,2 kg
	Sound power	44 dB
	Power supply	220-240 V / 1 / 50 Hz
	Rated input	3,10 kW
	Max. intensity	14,30 A
	Recommended fuse	C16 A
	Backup electrical resistance	3,0 kW
Rated water flow	2,5 m ³ /h	
Water flow range	0,7 ~ 3,0 m ³ /h	
Water outlet temperature	Heating & DHW	+25 ~ +65 °C
	Cooling	+5 ~ +25 °C
Operating range	Heating	-25 ~ +35 °C
	DHW	-25 ~ +43 °C
	Cooling	-5 ~ +43 °C

NOTES:

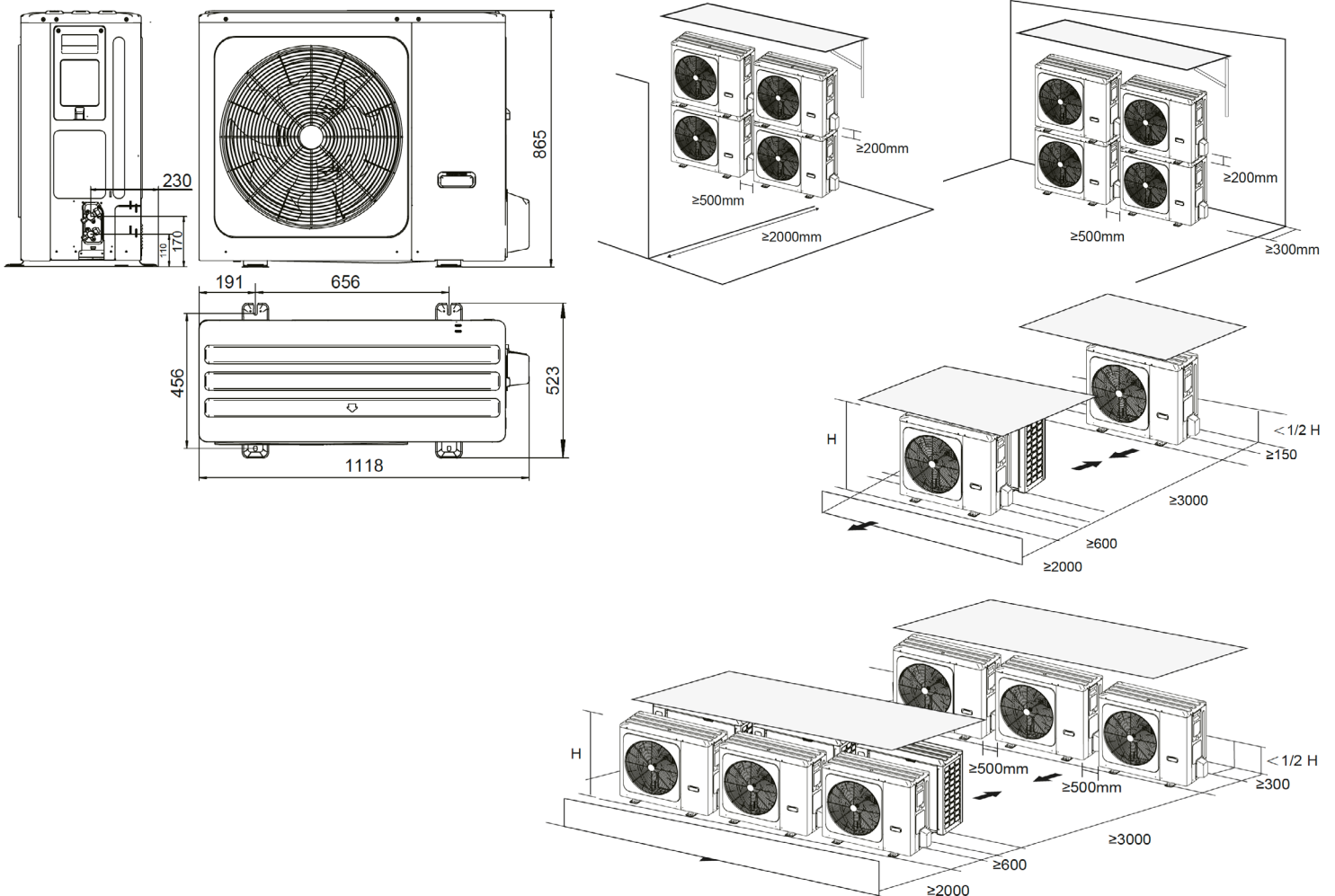
(1) The data and specifications present in this sheet may vary without notice.

(2) The images on this sheet are indicative and may be different from the final machine.

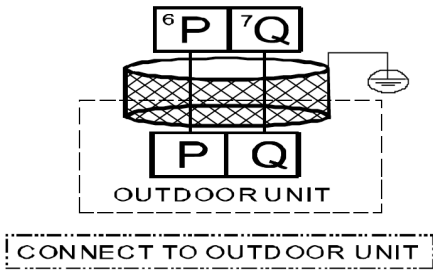
INDOOR UNIT DIMENSIONS & INSTALLATION DISTANCES



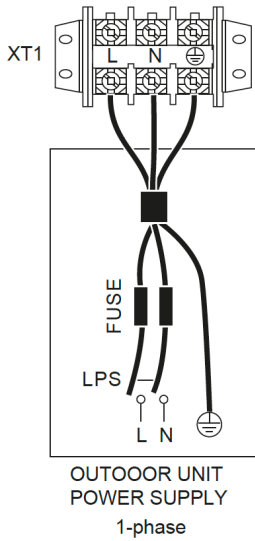
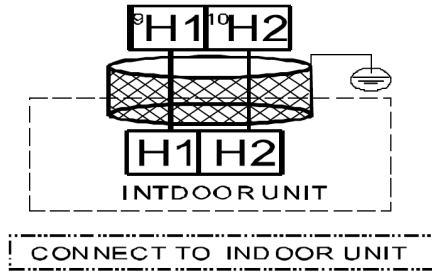
OUTDOOR UNIT DIMENSIONS & INSTALLATION DISTANCES



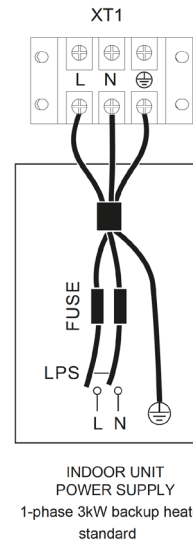
ELECTRICAL CONNECTION



Internal machine parallel



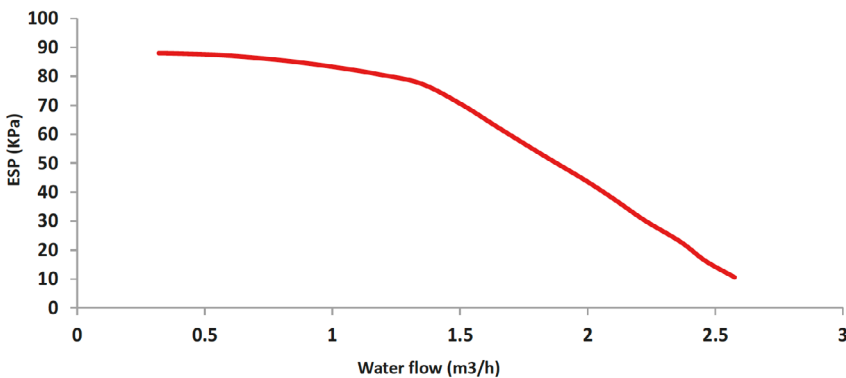
Unit	14 kW
Max. overcurrent protector (MOP) (A)	30 A
Wiring size (mm ²)	6,0 mm ²



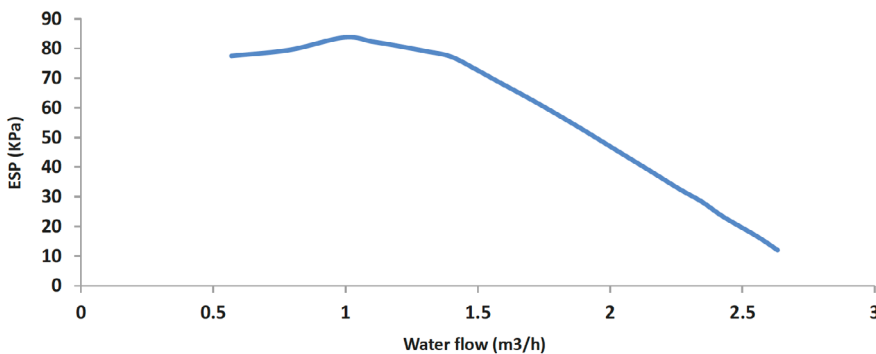
Unit	3 kW - 1 PH
Wiring size	4,0 mm ²

PUMP CURVE

With 190L water tank



With 240L water tank



PERFORMANCES

	Heating				Cooling	
	A+7°C Capacity kW / W+35°C COP	A+7°C Capacity kW / W+55°C COP	A-7°C Capacity kW / W+35°C COP	A-7°C Capacity kW / W+55°C COP	A+35°C Capacity kW / W+18°C EER	A+35°C Capacity kW / W+7°C EER
KHPIS-BI 14 PRO XL	14,50 / 4,70	13,80 / 3,00	12,00 / 2,85	11,00 / 2,05	13,50 / 3,60	12,70 / 2,55

ACS PERFORMANCE CERTIFIED BY KEYMARK

	Energy class ACS	Profile ACS	SCOP ACS / Medium climate	SCOP ACS / Warm climate
KHPIS-BI 14 PRO XL	A+	XL	3,00	3,73

SOUND PRESSURE



	Sound pressure Outdoor unit dB(A)	Sound pressure Indoor unit dB(A)
KHPIS-BI 14 PRO XL	51 (230V)	29

Aquantia KHPIS-BI PRO

Bibloc Integrated Set

PRODUCT SHEET



Product certified by:  



FEATURES

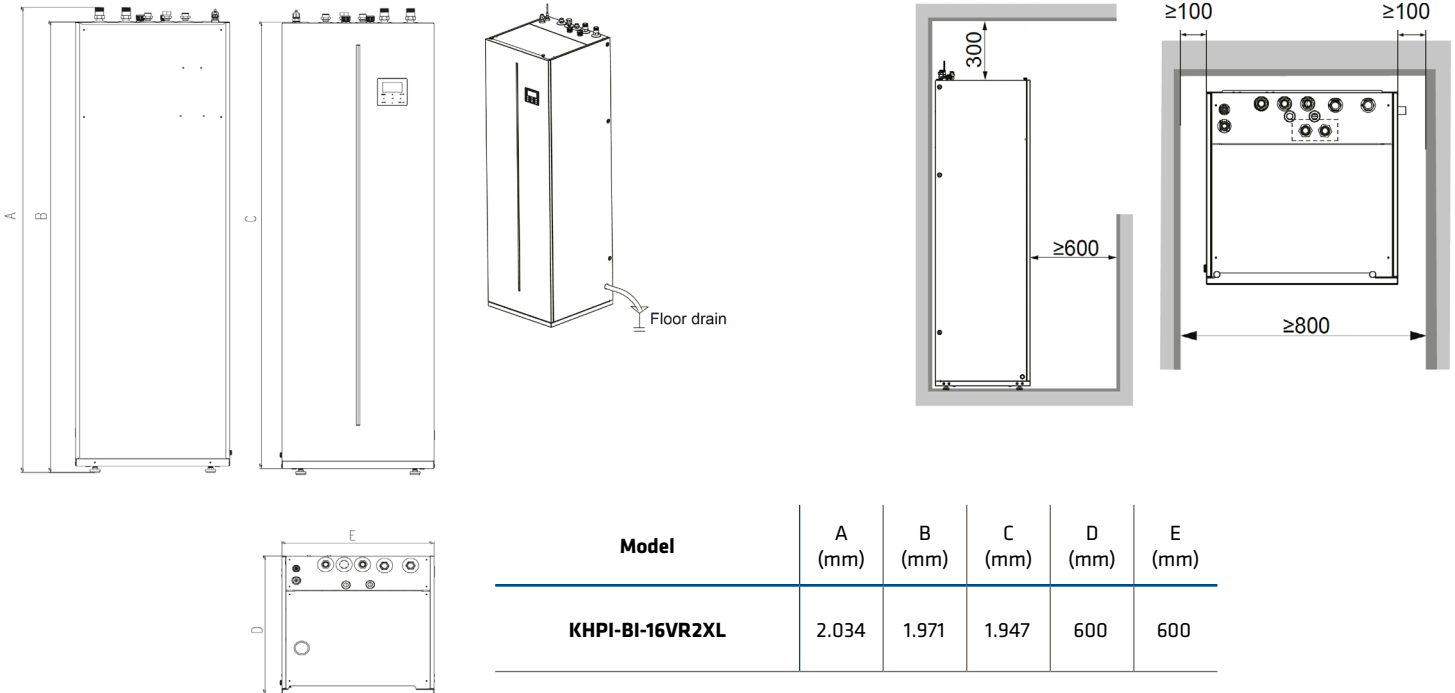
Model	Set	KHPIS-BI 16 PRO XL
	Indoor unit	KHPI-BI-16VR2XL
	Outdoor unit	KHP-BI 16 DVR2
Outdoor unit	Net / Gross weight	100 kg / 113,5 kg
	Drain connection	DN32 mm
	Sound power	68 dB(A)
	Power supply	220-240 V / 1 / 50 Hz
	Max. intensity	30,0 A
	Recommended fuse	D32 A
	Refrigerant / Refrigerant charge	R-32 / 1,84 kg
	Additional refrigerant charge (from 15 m)	38,0 g/m
	Liquid / gas pipe diameter (OD)	Ø9,52 mm / Ø15,9 mm
	Max. vertical / total distance	20 m / 30 m
Indoor unit	DHW tank capacity	240 L
	DHW tank material	Stainless steel SUS 316 L
	Insulation (thickness)	Injected polyurethane (45 mm)
	Cathodic protection	Not necessary
	Heating circuit diameter	G1"
	DHW circuit diameter	G3/4"
	Expansion vessel included	8,0 L
	Max. pump available pressure	8,5 m
	Net / gross curb weight	157,3 kg / 172,2 kg
	Sound power	44 dB
	Power supply	220-240 V / 1 / 50 Hz
	Rated input	3,10 kW
	Max. intensity	14,30 A
	Recommended fuse	C16 A
	Backup electrical resistance	3,0 kW
	Rated water flow	2,8 m ³ /h
Water flow range	0,7 ~ 3,0 m ³ /h	
Water outlet temperature	Heating & DHW	+25 ~ +65 °C
	Cooling	+5 ~ +25 °C
Operating range	Heating	-25 ~ +35 °C
	DHW	-25 ~ +43 °C
	Cooling	-5 ~ +43 °C

NOTES:

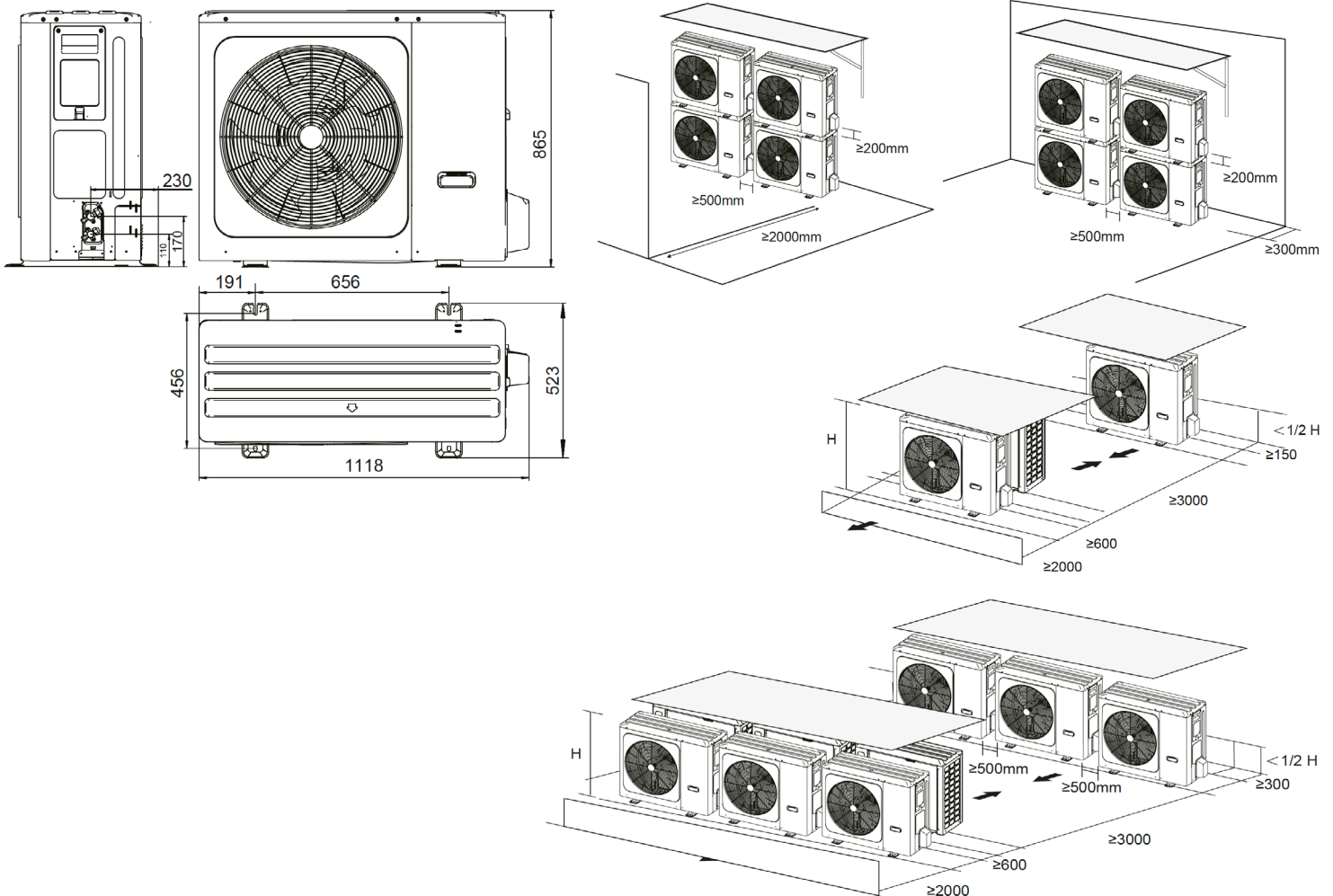
(1) The data and specifications present in this sheet may vary without notice.

(2) The images on this sheet are indicative and may be different from the final machine.

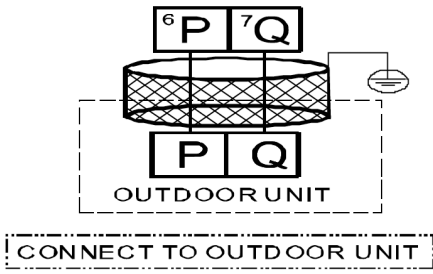
INDOOR UNIT DIMENSIONS & INSTALLATION DISTANCES



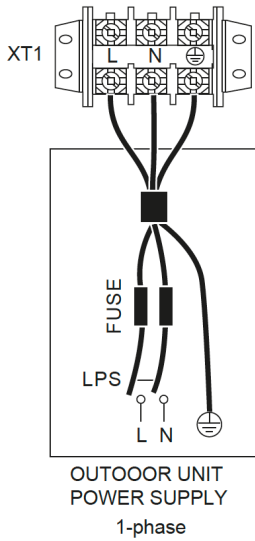
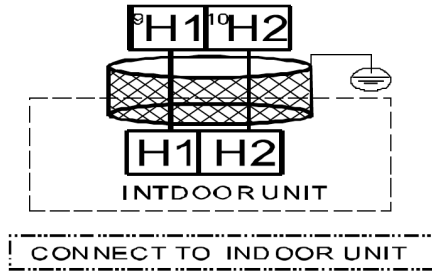
OUTDOOR UNIT DIMENSIONS & INSTALLATION DISTANCES



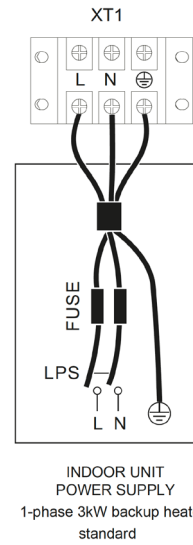
ELECTRICAL CONNECTION



Internal machine parallel



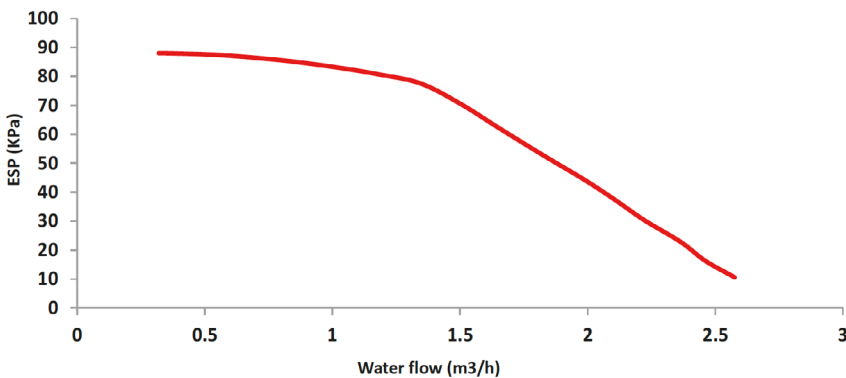
Unit	16 kW
Max. overcurrent protector (MOP) (A)	30 A
Wiring size (mm ²)	6,0 mm ²



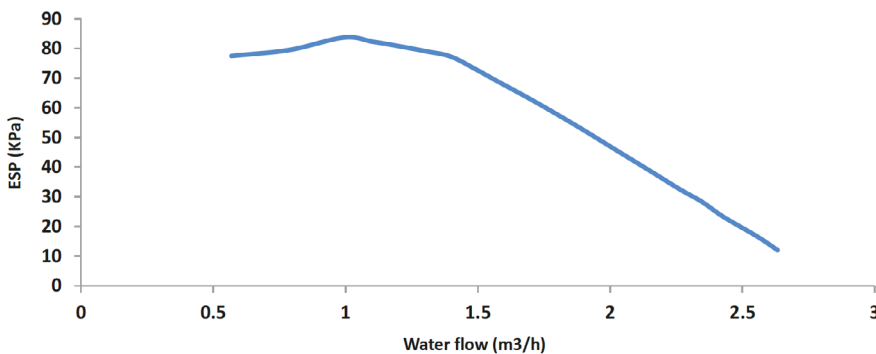
Unit	3 kW - 1 PH
Wiring size	4,0 mm ²

PUMP CURVE

With 190L water tank



With 240L water tank



PERFORMANCES

	Heating				Cooling	
	A+7°C Capacity kW / W+35°C COP	A+7°C Capacity kW / W+55°C COP	A-7°C Capacity kW / W+35°C COP	A-7°C Capacity kW / W+55°C COP	A+35°C Capacity kW / W+18°C EER	A+35°C Capacity kW / W+7°C EER
KHPIS-BI 16 PRO XL	16,00 / 4,50	16,00 / 2,90	13,10 / 2,70	12,50 / 2,00	14,90 / 3,40	14,00 / 2,45

ACS PERFORMANCE CERTIFIED BY KEYMARK

	Energy class ACS	Profile ACS	SCOP ACS / Medium climate	SCOP ACS / Warm climate
KHPIS-BI 16 PRO XL	A+	XL	3,00	3,73

SOUND PRESSURE

	Sound pressure Outdoor unit dB(A)	Sound pressure Indoor unit dB(A)
KHPIS-BI 16 PRO XL	54 (230V)	29