

Superslim Cassette 840x840 Twins Axial

PRODUCT SHEET



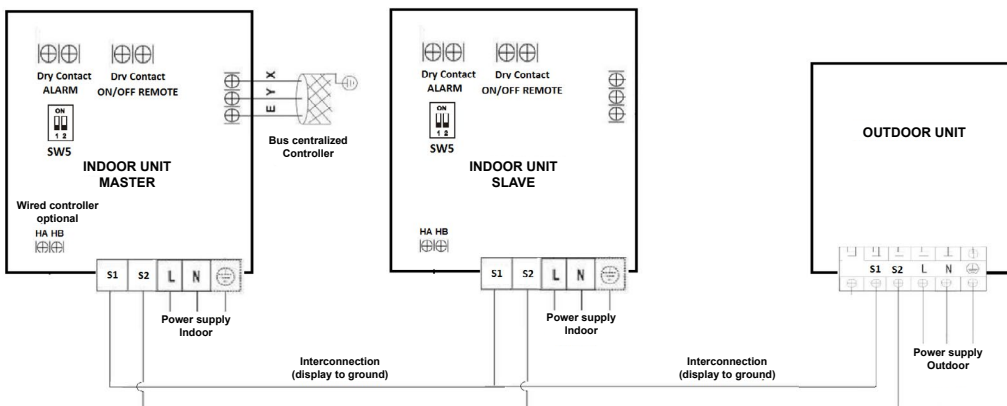
KID-02 S
Recommended controller







FEATURES

Indoor model / Outdoor model	2x KCIS-71 DR11 / KUE-140 DTR11
Cooling capacity	7,03 kW
Heating capacity	7,62 kW
Airflow (indoor)	1.032/1.200/1.378 m ³ /h
Sound pressure (indoor)	40/43/47 dB(A)
Airflow (outdoor)	7.500 m ³ /h
Sound pressure (outdoor)	66 dB(A)
Power supply	380-400 V / 3 / 50 Hz
Max. input	13 A
Power wiring (indoor)	(2+T)x2,50 mm ²
Power wiring (outdoor)	(4+T)x4 mm ²
Communication wiring	2x1,50 mm ²
Com. bus shielded	3x1,50 mm ²

WIRING DIAGRAM



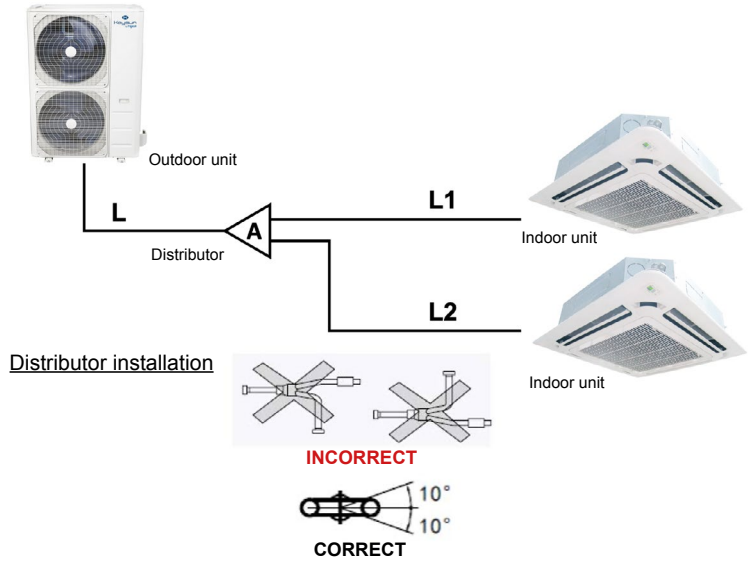
MASTER-SLAVE SELECTION				
SW5				
MODE	1x1	MASTER	MASTER	SLAVE
FACTORY CONFIGURATION	✓			

NOTES:

- (1) The data and specifications present in this sheet may vary without notice.
- (2) The images on this sheet are indicative and may be different from the final machine.

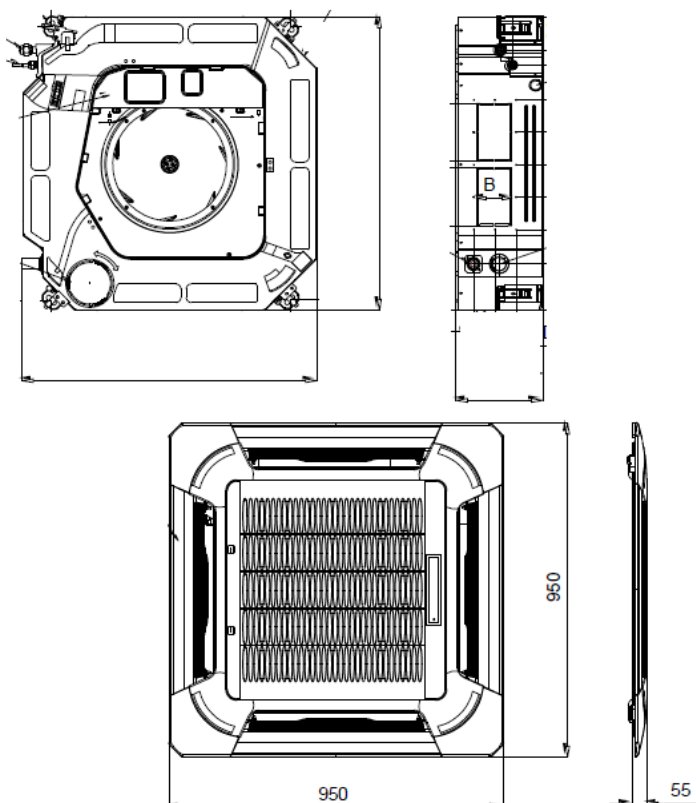
COOLING CONNECTION

Model	2x KCIS-71 DR11 / KUE-140 DTR11	
Refrigerating pipes L	Ø3/8" / Ø5/8"	
Refrigerating pipes L1 & L2	Ø3/8" / Ø5/8"	
Refrigerant charge	2,80 kg	
Indoor drain pipe	Ø25	
Max. pipe length	65 m	
Max. level difference between outdoor & indoor unit	20 m	
Max. pipe length L1 & L2	15 m	
Difference between pipes L1-L2	10 m	
Max. level between indoor units	0,50 m	



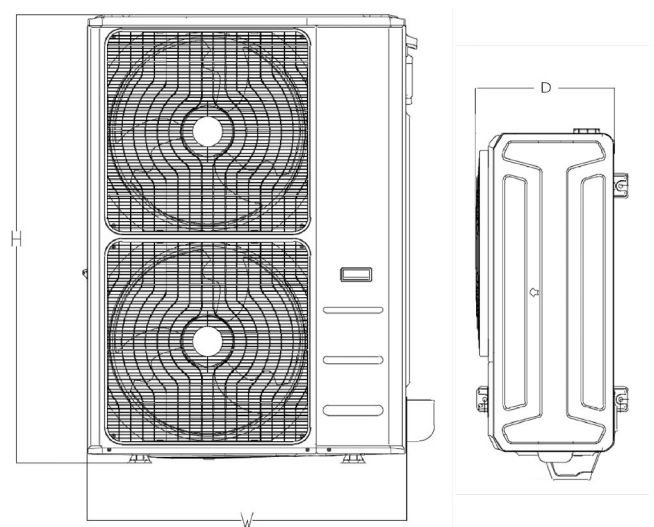
DIMENSIONS & WEIGHT INDOOR

Model	KCIS-71 DR11
Width	840 mm
Height	245 mm
Depth	840 mm
Weight	23 kg



DIMENSIONS & WEIGHT OUTDOOR

Model	KUE-140 DTR11
W	952 mm
H	1.333 mm
D	415 mm
Weight	106,70 kg



Superslim Cassette 840x840 Twins Axial

PRODUCT SHEET



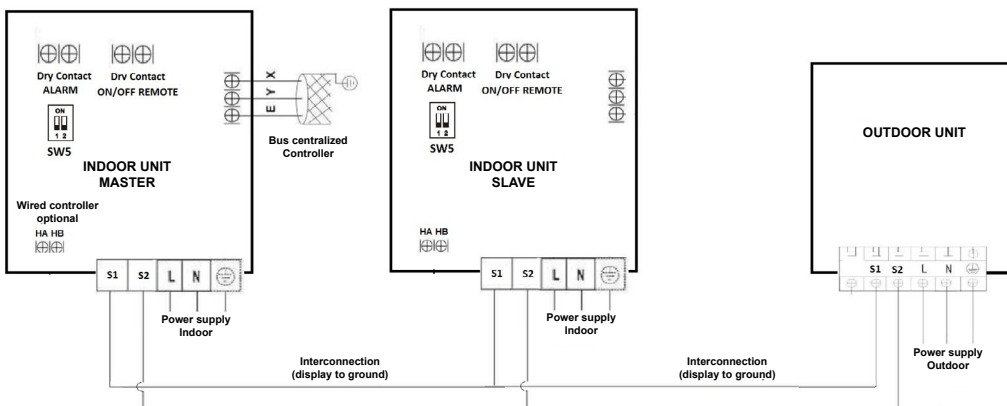
KID-02 S
Recommended controller



FEATURES

Indoor model / Outdoor model	2x KCIS-105 DR11 / KUE-160 DTR11
Cooling capacity	8,79 kW
Heating capacity	9,82 kW
Airflow (indoor)	1.438/1.620/1.775 m ³ /h
Sound pressure (indoor)	46/49/52 dB(A)
Airflow (outdoor)	7.500 m ³ /h
Sound pressure (outdoor)	66 dB(A)
Power supply	380-400 V / 3 / 50 Hz
Max. input	14 A
Power wiring (indoor)	(2+T)x2,50 mm ²
Power wiring (outdoor)	(4+T)x6 mm ²
Communication wiring	2x1,50 mm ²
Com. bus shielded	3x1,50 mm ²

WIRING DIAGRAM



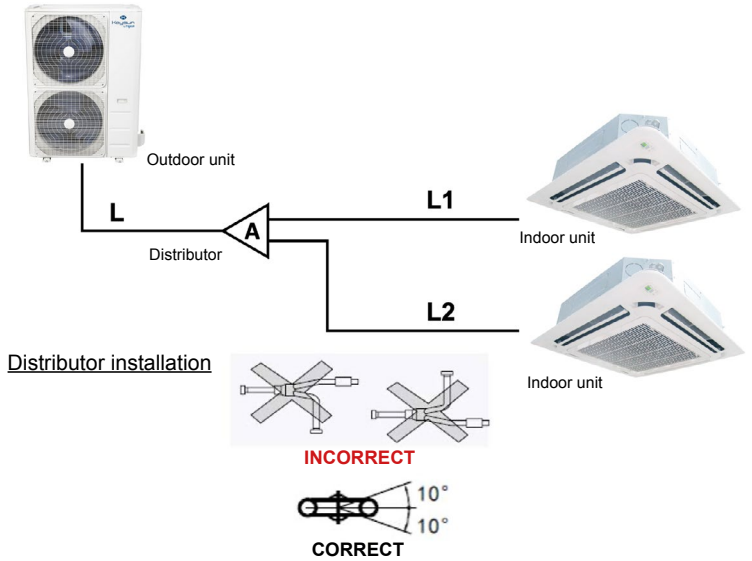
MASTER-SLAVE SELECTION				
SW5				
MODE	1x1	MASTER	MASTER	SLAVE
FACTORY CONFIGURATION	✓			

NOTES:

- (1) The data and specifications present in this sheet may vary without notice.
(2) The images on this sheet are indicative and may be different from the final machine.

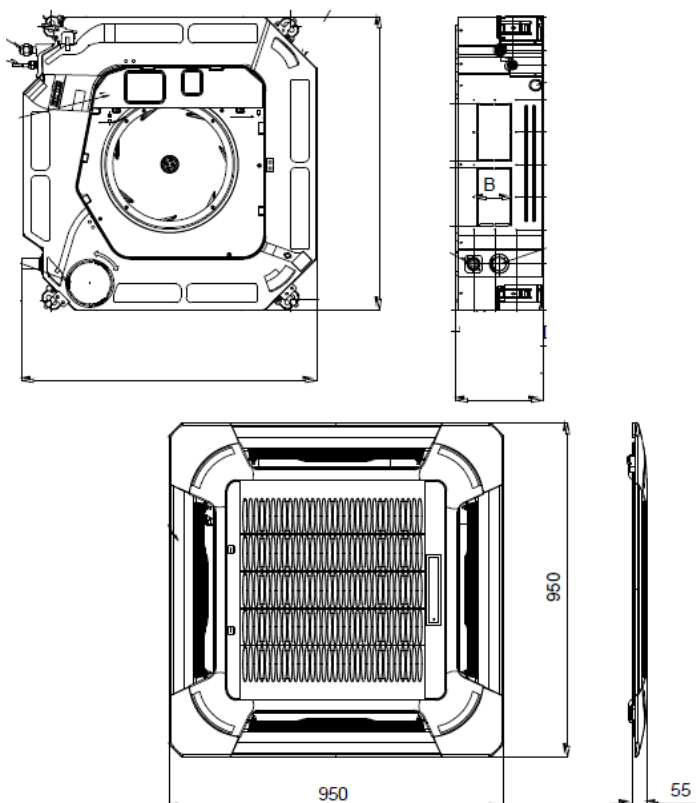
COOLING CONNECTION

Model	2x KCIS-105 DR11 / KUE-160 DTR11	
Refrigerating pipes L	Ø3/8" / Ø5/8"	
Refrigerating pipes L1 & L2	Ø3/8" / Ø5/8"	
Refrigerant charge	2,95 kg	
Indoor drain pipe	Ø25	
Max. pipe length	65 m	
Max. level difference between outdoor & indoor unit	20 m	
Max. pipe length L1 & L2	15 m	
Difference between pipes L1-L2	10 m	
Max. level between indoor units	0,50 m	



DIMENSIONS & WEIGHT INDOOR

Model	KCIS-105 DR11
Width	840 mm
Height	245 mm
Depth	840 mm
Weight	27,50 kg



DIMENSIONS & WEIGHT OUTDOOR

Model	KUE-160 DTR11
W	952 mm
H	1.333 mm
D	415 mm
Weight	111,30 kg

