

# Prodigy D6

## PRODUCT SHEET



KID-02 S  
Standard controller



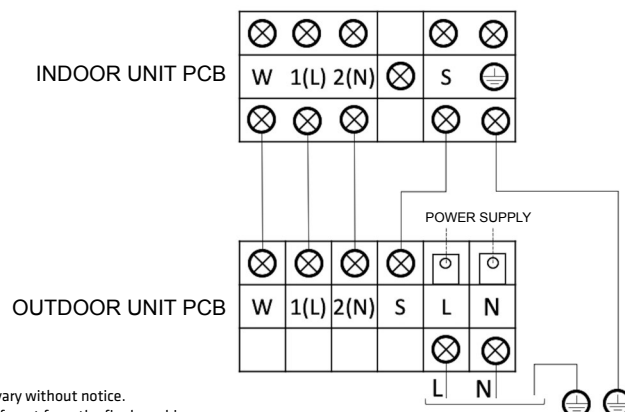
Product certified by:  



### FEATURES

Model	KAY-26-DR8 D6
Cooling capacity	2,60 kW
Cooling power input	654 W
Heating capacity	2,93 kW
Heating power input	604 W
ErP Classification cold/heat	A+++ / A++
Airflow (indoor)	357/482/549 m <sup>3</sup> /h
Sound pressure (indoor)	25,50 dB(A)
Airflow (outdoor)	2.000 m <sup>3</sup> /h
Sound pressure (outdoor)	56,50 dB(A)
Power supply	220-240 V / 1 / 50 Hz
Power wiring (outdoor)	(4+T)x2,50 mm <sup>2</sup>
Communication wiring	(2+T)x2,50 mm <sup>2</sup>
Refrigerating pipes	Ø1/4" / Ø3/8"
Refrigerant charge / Additional charge	0,65 kg / 0,012 kg
Max. pipe length	25 m
Max. level difference	10 m

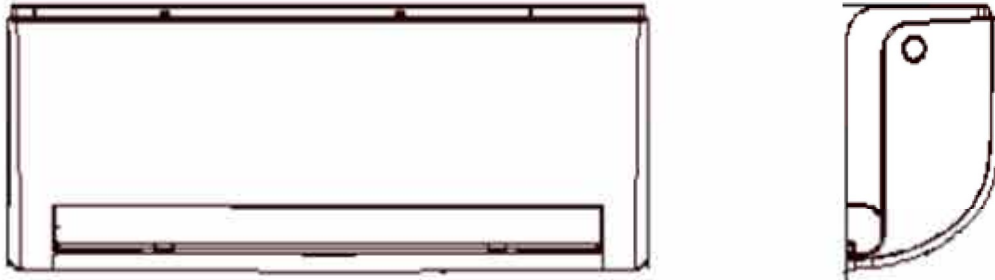
### WIRING DIAGRAM



NOTES:  
 (1) The data and specifications present in this sheet may vary without notice.  
 (2) The images on this sheet are indicative and may be different from the final machine.

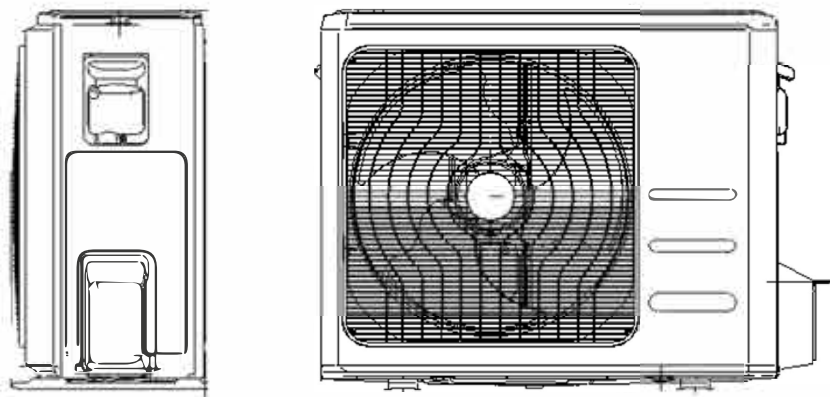
## DIMENSIONS & WEIGHT OF INDOOR UNIT

Model	Weight	Width	Height	Depth
KAY-26 DR8 D6	8,30 kg	805 mm	302 mm	193 mm



## DIMENSIONS & WEIGHT OF OUTDOOR UNIT

Model	Weight	Width	Height	Depth
KAE-26 DR8 D6	29,60 kg	800 mm	554 mm	333 mm



## INSTALLATION

