

High Capacity Front Air Discharge


KPDH-224F DN10

PRODUCT SHEET



KCT-02.1 SR
Recommended controller



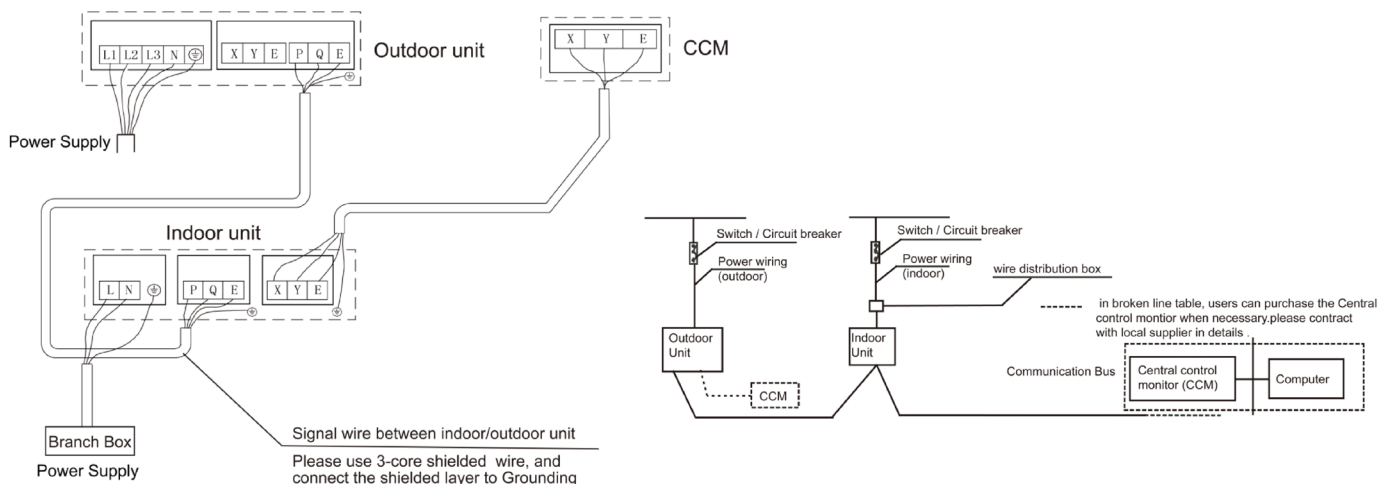
Product certified by: 



FEATURES

Model	KPDH-224F DN10
Cooling capacity	22,40 kW
Cooling power input	7.200 W
Heating capacity	24,50 kW
Heating power input	6.600 W
Airflow (indoor)	3.000/4.800 m ³ /h
Sound pressure (indoor)	49/52 dB(A)
Max. static pressure	150 Pa
Airflow (outdoor)	9.400 m ³ /h
Sound pressure (outdoor)	58 dB(A)
Power supply (indoor)	220-240 / 1 / 50 Hz
Power supply (outdoor)	380-415 V / 3 / 50 Hz
Power wiring (outdoor)	5x6 mm ²
Max. input	40 A
Com. bus shielded	3x0,75 mm ²

WIRING DIAGRAM



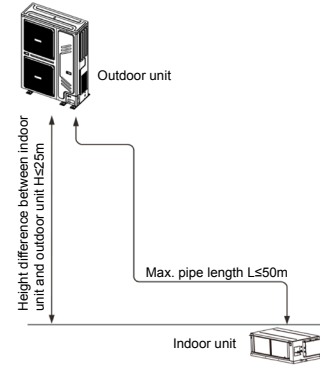
NOTES:

- (1) The data and specifications present in this sheet may vary without notice.
- (2) The images on this sheet are indicative and may be different from the final machine.

COOLING CONNECTION

Model	
Refrigerating pipes	Ø3/8" / Ø1"
Refrigerant charge	7,20 kg
Indoor drain pipe	Ø33 mm
Max. pipe length (A)	50 m
Max. level difference (B)	30 m

KPDH-224F DN10

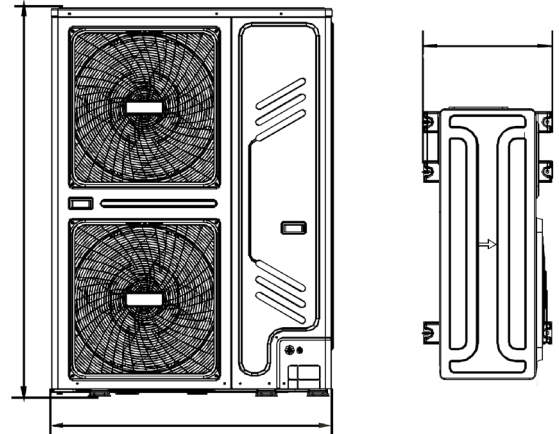
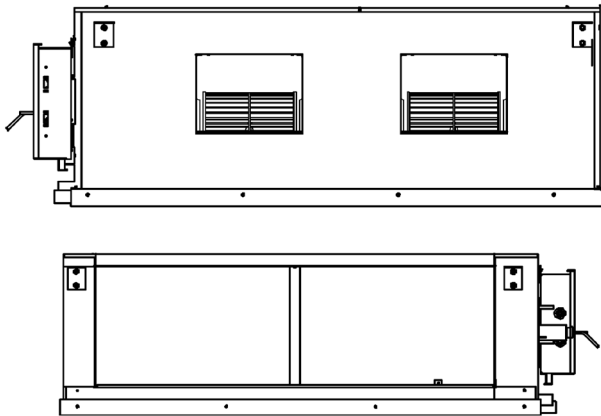


DIMENSIONS & WEIGHT INDOOR

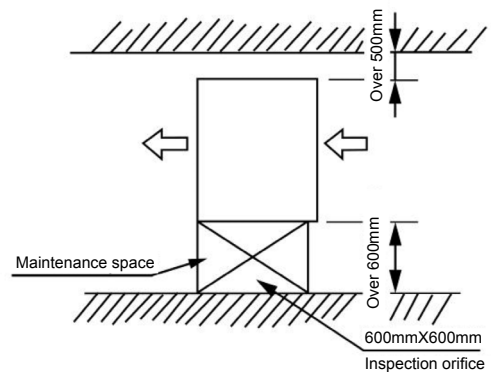
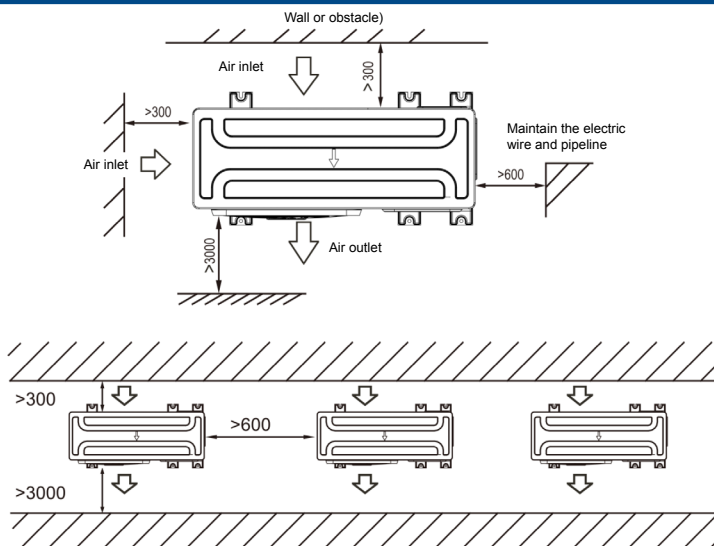
Model	KPDH 224 DN10
Width	1.470 mm
Height	512 mm
Depth	775 mm
Weight	83 kg

DIMENSIONS & WEIGHT OUTDOOR

Model	KUE 224 DN10
Width	1.120 mm
Height	1.558 mm
Depth	528 mm
Weight	147 kg



INSTALLATION



High Capacity Front Air Discharge


KPDH-280F DN10

PRODUCT SHEET



KCT-02.1 SR
Recommended controller



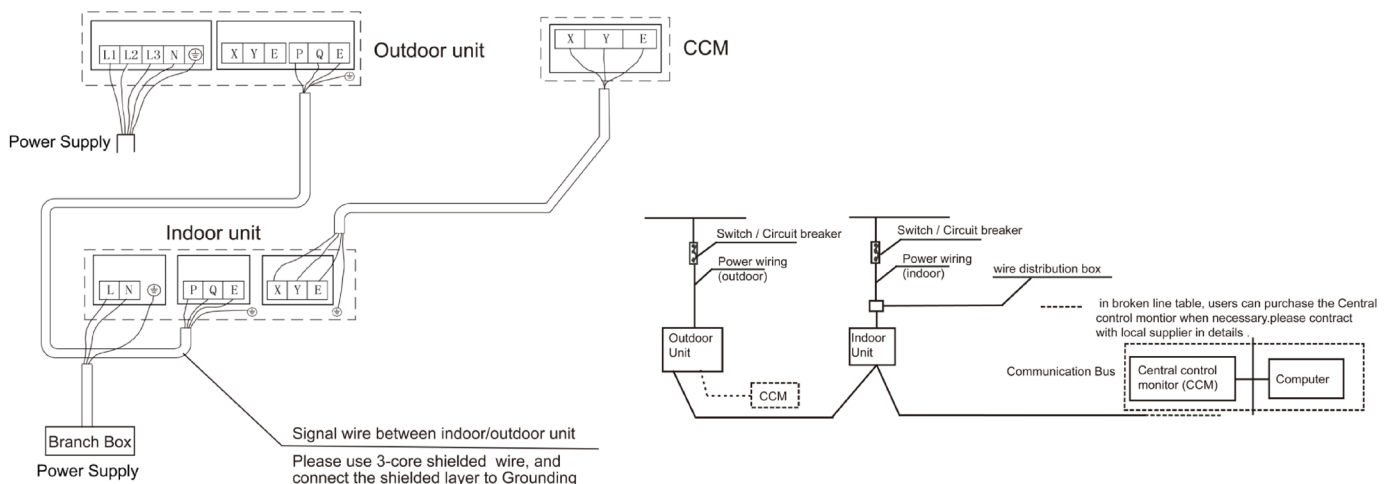
Product certified by: 



FEATURES

Model	KPDH-280F DN10
Cooling capacity	28 kW
Cooling power input	9.000 W
Heating capacity	31,50 kW
Heating power input	8.500 W
Airflow (indoor)	3.000/4.800 m ³ /h
Sound pressure (indoor)	49/52 dB(A)
Max. static pressure	150 Pa
Airflow (outdoor)	9.800 m ³ /h
Sound pressure (outdoor)	59 dB(A)
Power supply (indoor)	220-240 / 1 / 50 Hz
Power supply (outdoor)	380-415 V / 3 / 50 Hz
Power wiring (outdoor)	5x6 mm ²
Max. input	40 A
Com. bus shielded	3x0,75 mm ²

WIRING DIAGRAM



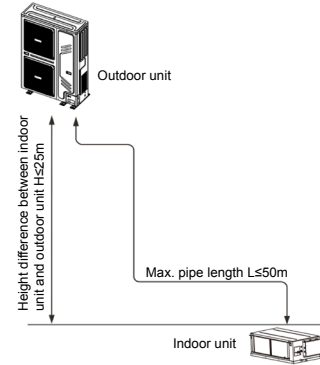
NOTES:

- (1) The data and specifications present in this sheet may vary without notice.
- (2) The images on this sheet are indicative and may be different from the final machine.

COOLING CONNECTION

Model	
Refrigerating pipes	Ø3/8" / Ø1"
Refrigerant charge	7,20 kg
Indoor drain pipe	Ø33 mm
Max. pipe length (A)	50 m
Max. level difference (B)	30 m

KPDH-280F DN10

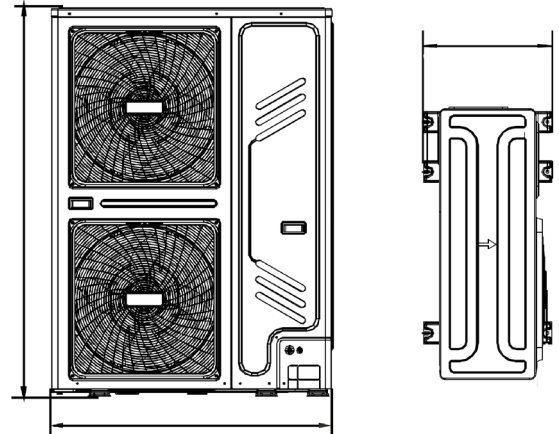
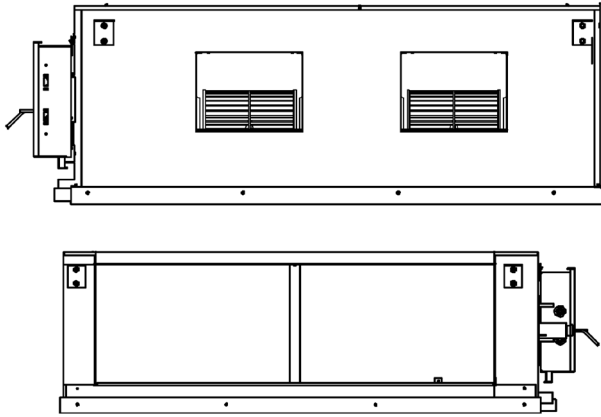


DIMENSIONS & WEIGHT INDOOR

Model	KPDH 280 DN10
Width	1.470 mm
Height	512 mm
Depth	775 mm
Weight	83 kg

DIMENSIONS & WEIGHT OUTDOOR

Model	KUE 280 DN10
Width	1.120 mm
Height	1.558 mm
Depth	528 mm
Weight	148 kg



INSTALLATION

