



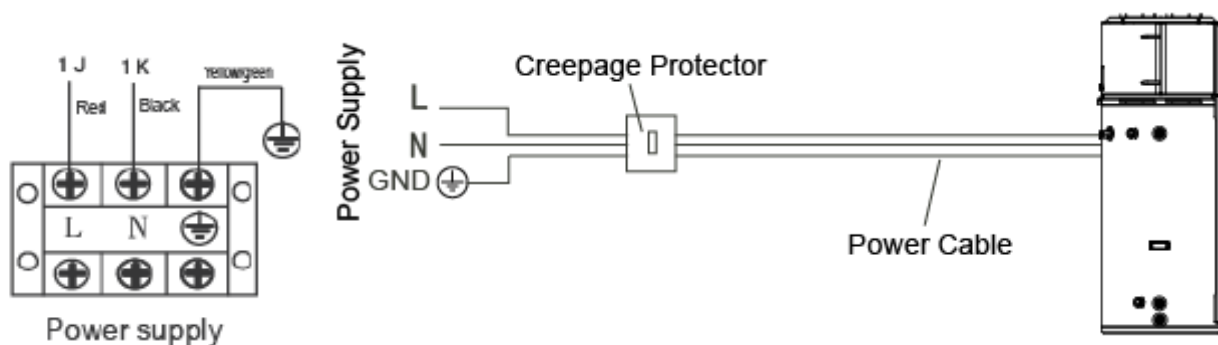
**PRODUCT SHEET AQUATIX
COMPAK KHP 35 300 ACS1**

SPECIFICATIONS:

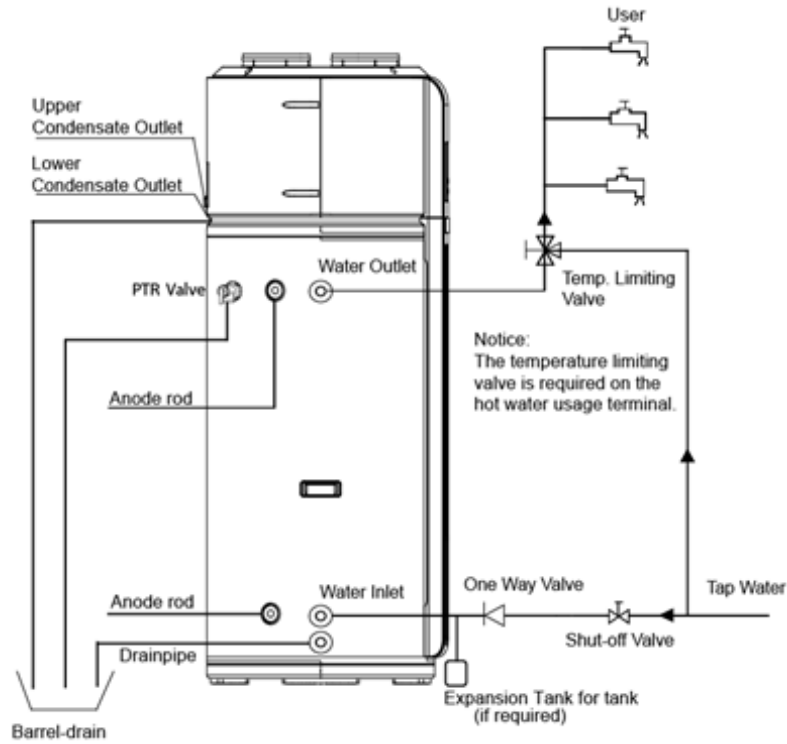
Unit	COMPAK KHP 35 300 ACS1
Running mode	Economy
Heat Capacity	3 kW
Heat Input Consumption	0,80 kW
Flow water (nominal)	0,086 m ³ /h
Sound Pressure	45 dB(A)
Inlet pipe	DN20 (3/4")
Outlet pipe	DN20 (3/4")
Drainage pipe	DN20 (3/4")
Storage size	300 liters
Electric heater (mode E-heater)	3 kW

ELECTRIC CONNECTIONS:

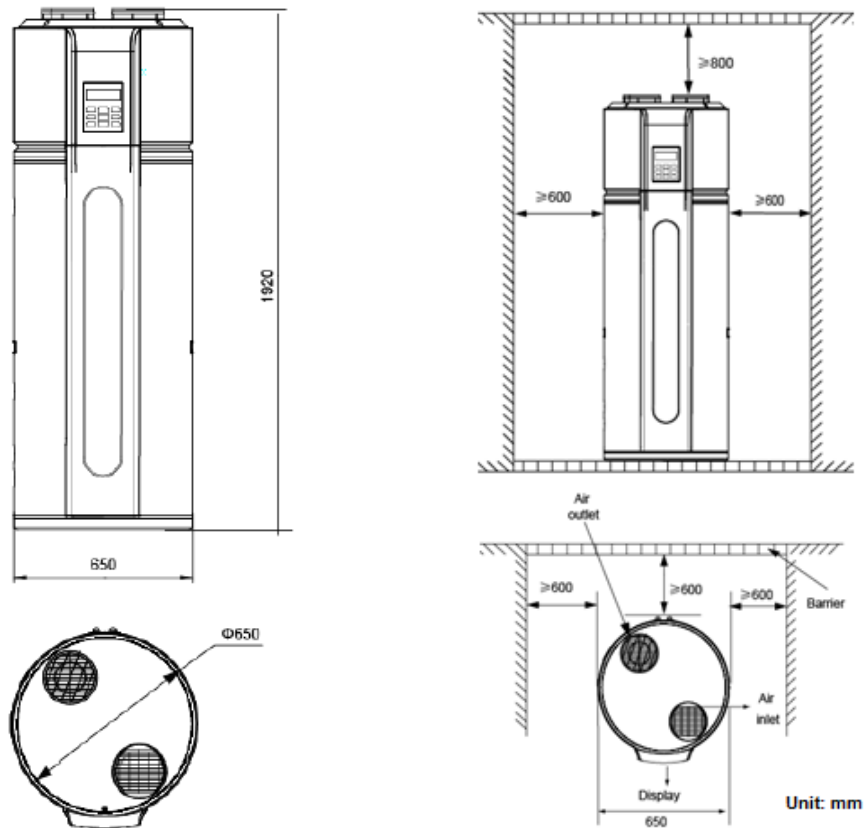
Unit	COMPAK KHP 35 300 ACS1
Power supply	220 V / 1 phase / 50 Hz
Min. diameter of power supply cord	3 x 4 mm ²
Manual switch capacity (A)/Fuse (A)	40/30
Creepage breaker	30 mA ≤ 0.1 sec



WATER SYSTEM PIPING:



UNIT DIMENSIONS AND MINIMUM DISTANCES TO INSTALL:



Protect the unit from solar radiation