

Mini Amazon II Three-Phase

KMF-120 DTN2

PRODUCT SHEET



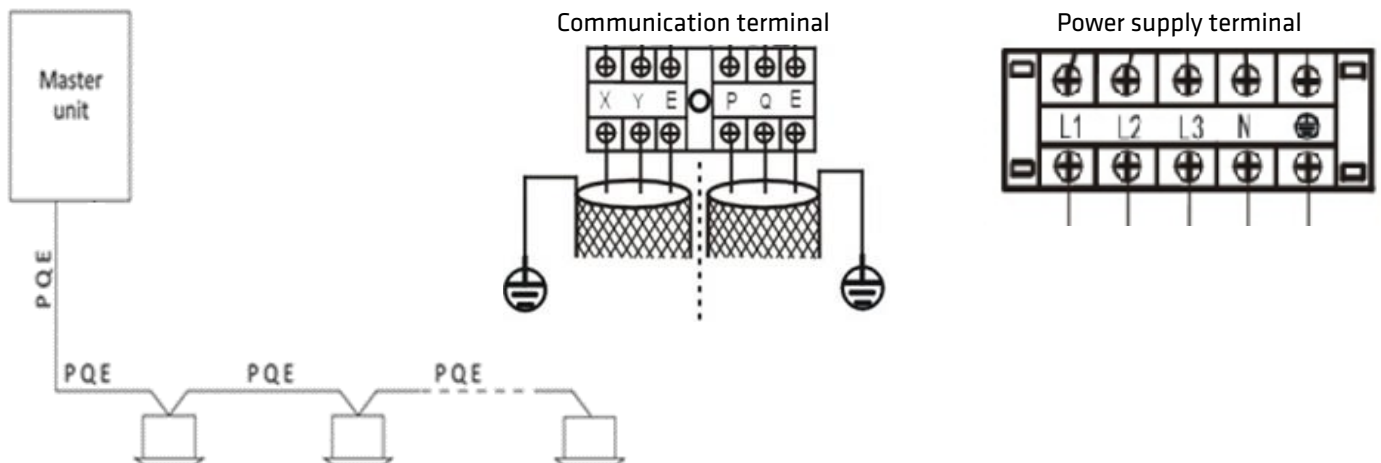
Product certified by:



FEATURES

Model	KMF-120 DTN2
Max. indoor units	10
Cooling capacity	12,30 kW
Cooling power input	3,25 kW
Heating capacity	13,20 kW
Heating power input	3,47 kW
SEER / SCOP	5,40 / 3,85
Airflow	6.000 m ³ /h
Sound power level	57 dB(A)
Working range (cooling/heating)	-15°C - 43°C / -15°C - 27°C
Refrigerating pipes	Ø3/8" / Ø5/8"
Refrigerant charge	3,30 kg
Power supply	380-415 V / 3 / 50 Hz
Max. input	25 A
Power wiring	(4+T)x2,50 mm ²
Shielded communication wiring	3x1,50 mm ²

WIRING DIAGRAM



NOTES:

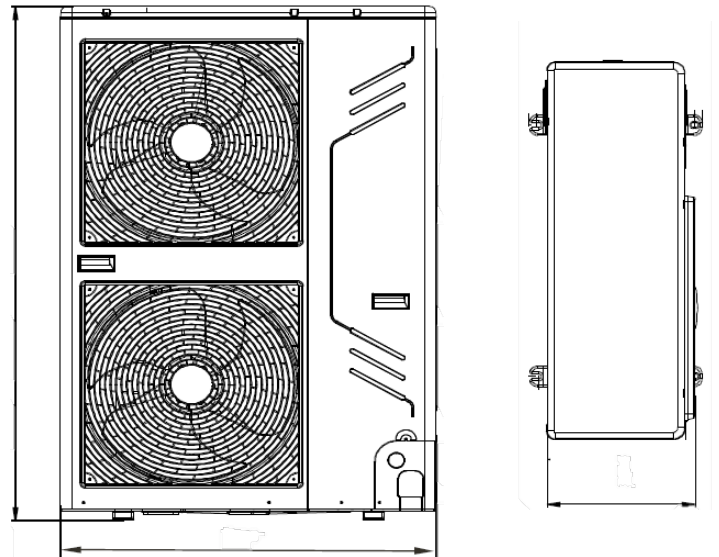
- (1) The data and specifications in this sheet are subject to change without notice.
- (2) The images in this sheet are for guidance only and may be different from the actual machine.
- (3) Cooling capacity conditions: Indoor temperature 27°C DB/19°C WB; Outdoor temperature 35°C DB; Equivalent refrigerant piping length 7.5 m with zero level difference; Data calculated with Cassette type indoor unit. Heating capacity conditions: Indoor temperature 20°C DB; Outdoor temperature 7°C DB/6°C WB; Equivalent refrigerant piping length 7.5 m with zero level difference; Data calculated with Cassette type indoor unit.
- (4) Sound pressure level is measured at a position 1 m in front of the unit and 1 m above the floor in a semi-anechoic chamber.

PIPELINE LENGTH

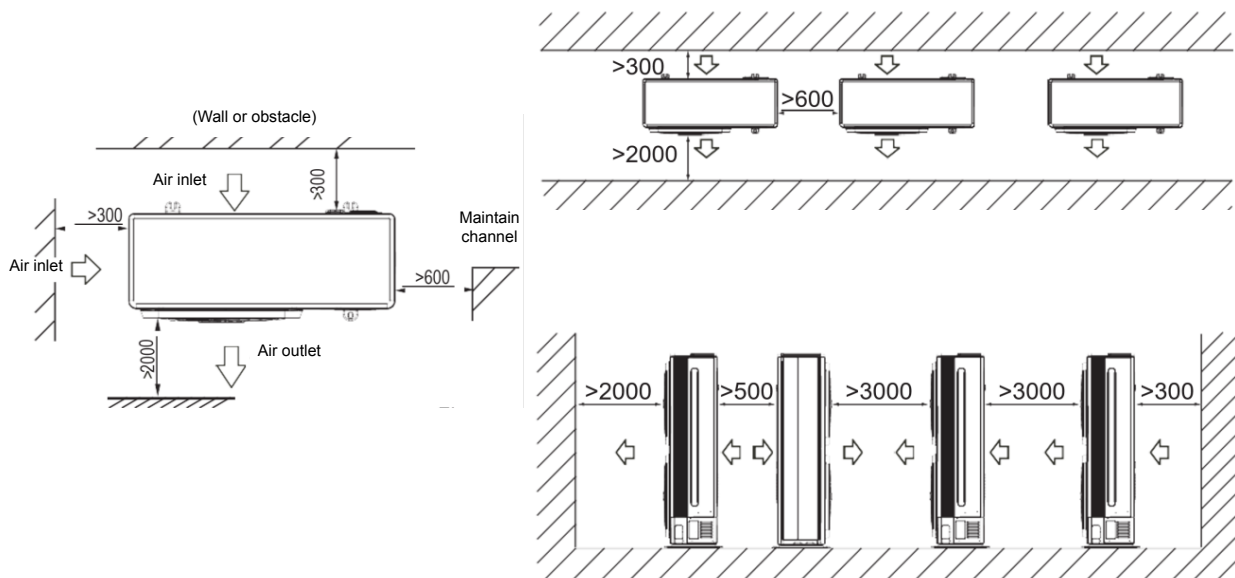
Max. pipe length		100 m
Max. distance between outdoor unit and further indoor unit	Real	60 m
	Equivalent	70 m
From first branch joint to the further indoor unit		20 m
Height difference	Outdoor unit over	30 m
	Outdoor unit below	20 m
Height difference between indoor units		8 m

DIMENSIONS & WEIGHT

Width	990 mm
Height	1.327 mm
Depth	400 mm
Weight	95 kg



INSTALLATION



Mini Amazon II Three-Phase

KMF-140 DTN2

PRODUCT SHEET



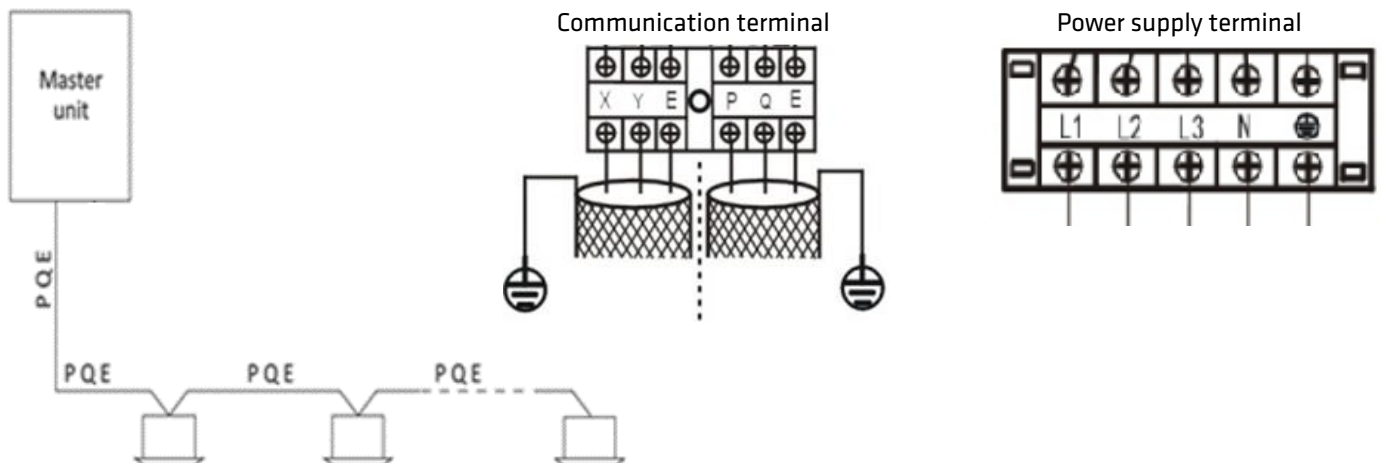
Product certified by:



FEATURES

Model	KMF-140 DTN2
Max. indoor units	12
Cooling capacity	14 kW
Cooling power input	4.670 W
Heating capacity	16 kW
Heating power input	5.080 W
SEER / SCOP	6,25 / 4,04
Airflow	6.000 m ³ /h
Sound power level	76 dB(A)
Working range (cooling/heating)	-15°C - 43°C / -15°C - 27°C
Refrigerating pipes	Ø3/8" / Ø5/8"
Refrigerant charge	3,90 kg
Power supply	380-415 V / 3 / 50 Hz
Max. input	25 A
Power wiring	(4+T)x2,50 mm ²
Shielded communication wiring	3x1,50 mm ²

WIRING DIAGRAM



NOTES:

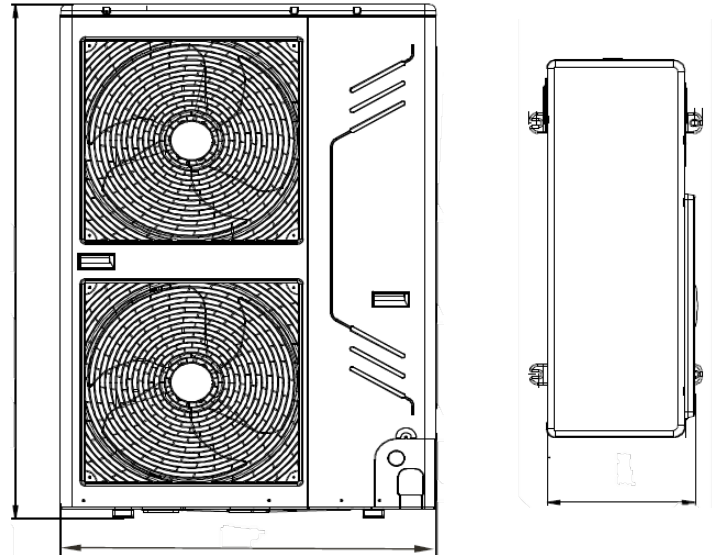
- (1) The data and specifications in this sheet are subject to change without notice.
- (2) The images in this sheet are for guidance only and may be different from the actual machine.
- (3) Cooling capacity conditions: Indoor temperature 27°C DB/19°C WB; Outdoor temperature 35°C DB; Equivalent refrigerant piping length 7.5 m with zero level difference; Data calculated with Cassette type indoor unit. Heating capacity conditions: Indoor temperature 20°C DB; Outdoor temperature 7°C DB/6°C WB; Equivalent refrigerant piping length 7.5 m with zero level difference; Data calculated with Cassette type indoor unit.
- (4) Sound pressure level is measured at a position 1 m in front of the unit and 1 m above the floor in a semi-anechoic chamber.

PIPELINE LENGTH

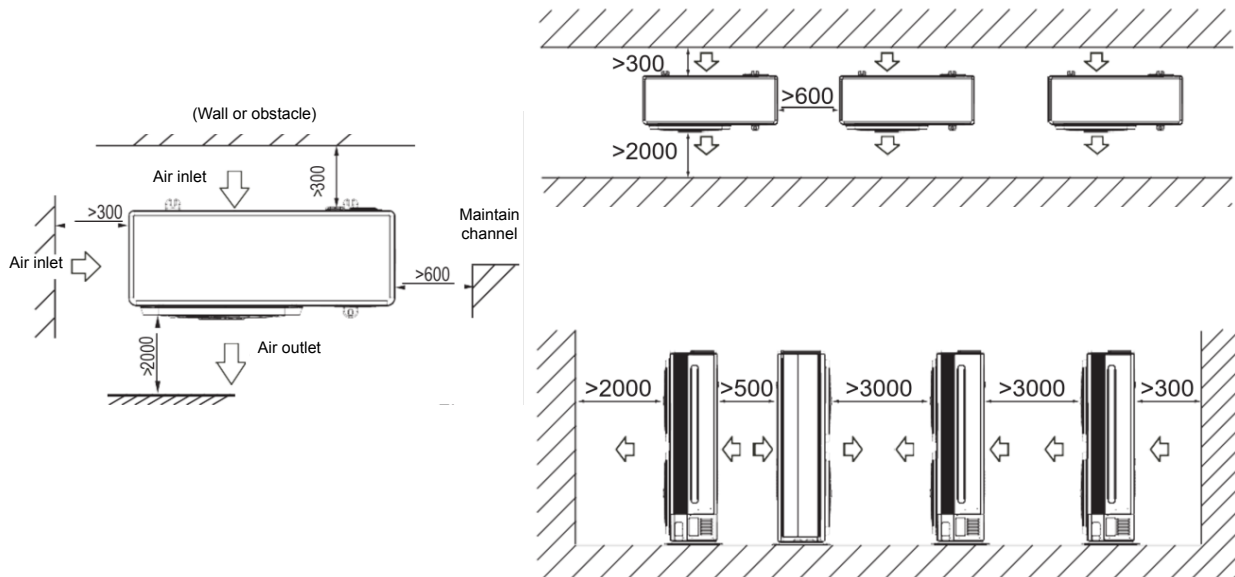
Max. pipe length		100 m
Max. distance between outdoor unit and further indoor unit	Real	60 m
	Equivalent	70 m
From first branch joint to the further indoor unit		20 m
Height difference	Outdoor unit over	30 m
	Outdoor unit below	20 m
Height difference between indoor units		8 m

DIMENSIONS & WEIGHT

Width	990 mm
Height	1.327 mm
Depth	400 mm
Weight	95 kg



INSTALLATION



Mini Amazon II Three-Phase

KMF-160 DTN2

PRODUCT SHEET



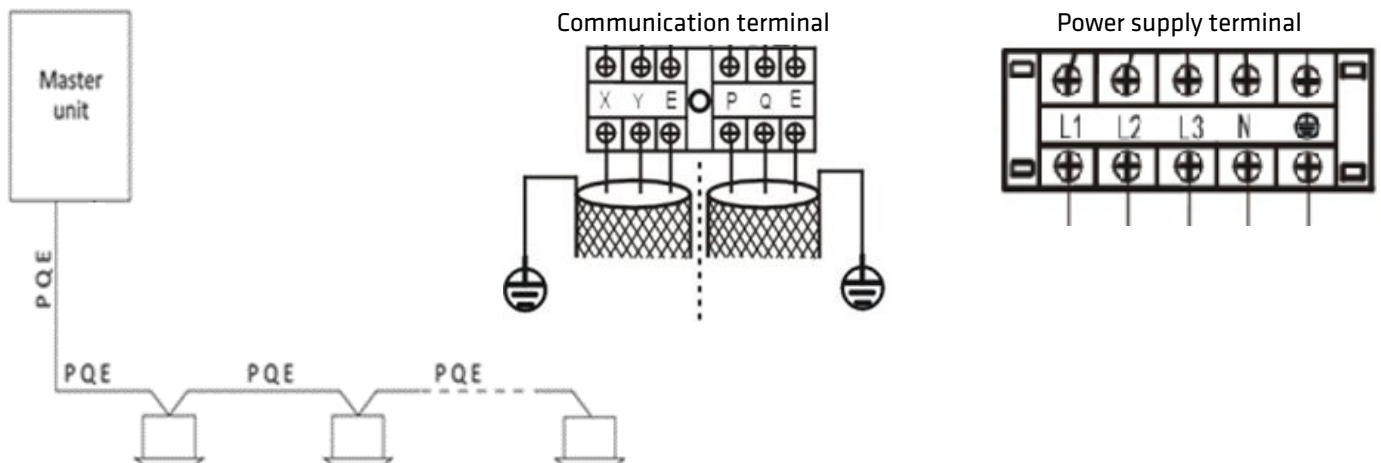
Product certified by:



FEATURES

Model	KMF-160 DTN2
Max. indoor units	13
Cooling capacity	15,50 kW
Cooling power input	5.080 W
Heating capacity	17,50 kW
Heating power input	6.140 W
SEER / SCOP	6,02 / 4,28
Airflow	6.000 m ³ /h
Sound power level	76 dB(A)
Working range (cooling/heating)	-15°C - 43°C / -15°C - 27°C
Refrigerating pipes	Ø3/8" / Ø3/4"
Refrigerant charge	3,90 kg
Power supply	380-415 V / 3 / 50 Hz
Max. input	25 A
Power wiring	(4+T)x2,50 mm ²
Shielded communication wiring	3x1,50 mm ²

WIRING DIAGRAM



NOTES:

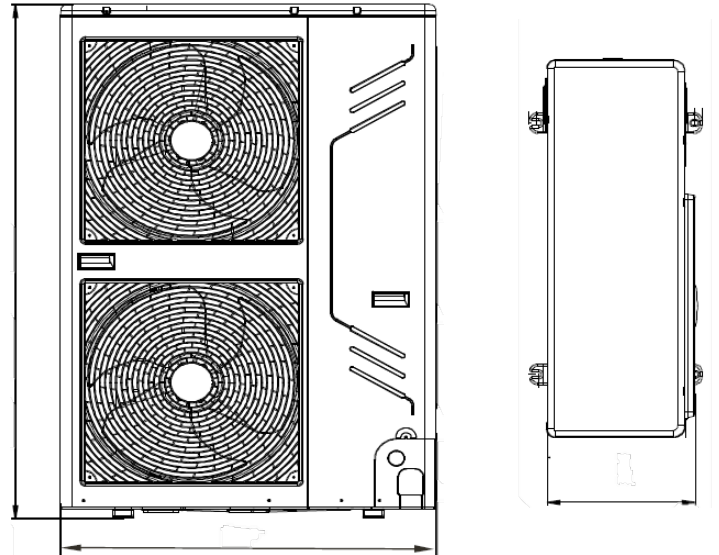
- (1) The data and specifications in this sheet are subject to change without notice.
- (2) The images in this sheet are for guidance only and may be different from the actual machine.
- (3) Cooling capacity conditions: Indoor temperature 27°C DB/19°C WB; Outdoor temperature 35°C DB; Equivalent refrigerant piping length 7.5 m with zero level difference; Data calculated with Cassette type indoor unit. Heating capacity conditions: Indoor temperature 20°C DB; Outdoor temperature 7°C DB/6°C WB; Equivalent refrigerant piping length 7.5 m with zero level difference; Data calculated with Cassette type indoor unit.
- (4) Sound pressure level is measured at a position 1 m in front of the unit and 1 m above the floor in a semi-anechoic chamber.

PIPELINE LENGTH

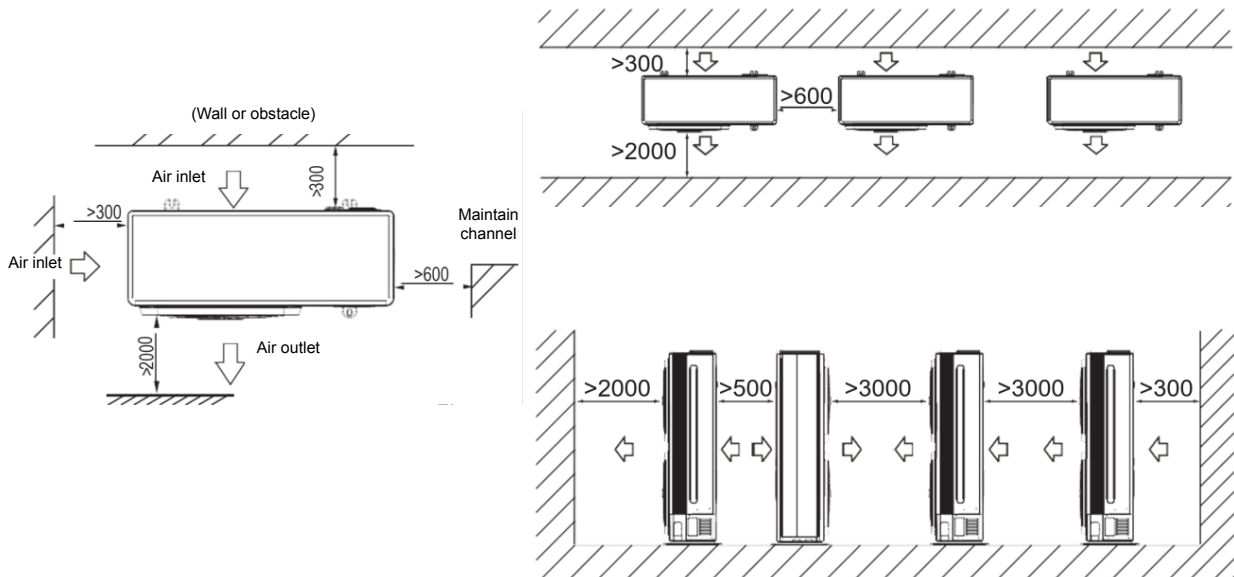
Max. pipe length		100 m
Max. distance between outdoor unit and further indoor unit	Real	60 m
	Equivalent	70 m
From first branch joint to the further indoor unit		20 m
Height difference	Outdoor unit over	30 m
	Outdoor unit below	20 m
Height difference between indoor units		8 m

DIMENSIONS & WEIGHT

Width	990 mm
Height	1.327 mm
Depth	400 mm
Weight	102 kg



INSTALLATION



Mini Amazon II Three-Phase

KMF-180 DTN2

PRODUCT SHEET



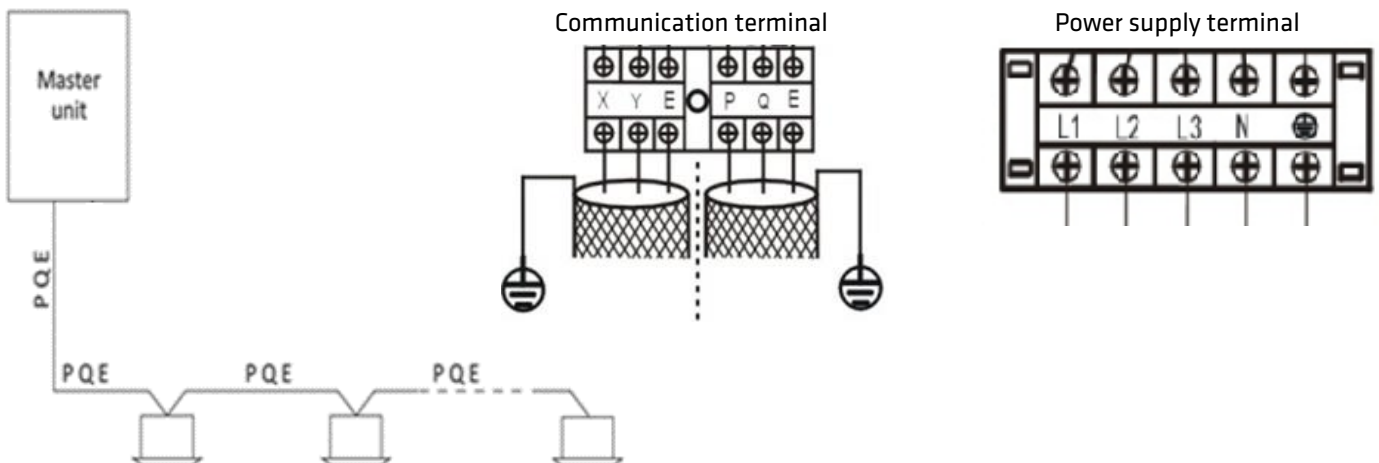
Product certified by:



FEATURES

Model	KMF-180 DTN2
Max. indoor units	15
Cooling capacity	17,50 kW
Cooling power input	5.770 W
Heating capacity	19 kW
Heating power input	6.130 W
SEER / SCOP	6,20 / 4,10
Airflow	6.800 m ³ /h
Sound power level	77 dB(A)
Working range (cooling/heating)	-15°C - 43°C / -15°C - 27°C
Refrigerating pipes	Ø3/8" / Ø3/4"
Refrigerant charge	4,50 kg
Power supply	380-415 V / 3 / 50 Hz
Max. input	25 A
Power wiring	(4+T)x2,50 mm ²
Shielded communication wiring	3x1,50 mm ²

WIRING DIAGRAM



NOTES:

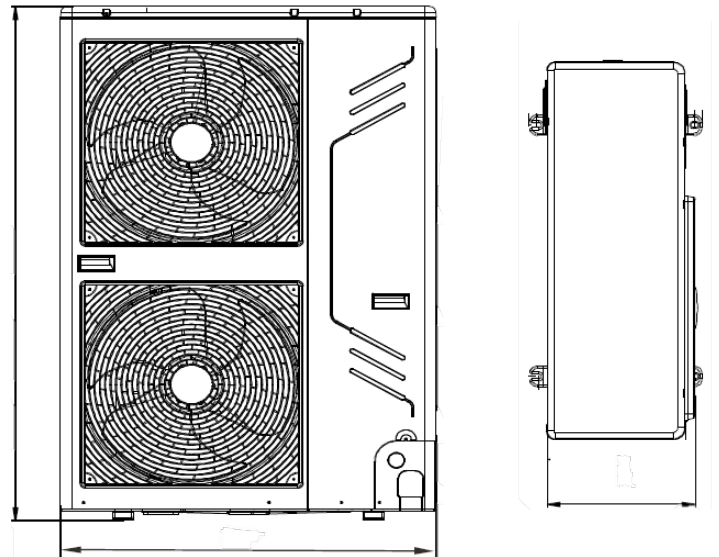
- (1) The data and specifications in this sheet are subject to change without notice.
- (2) The images in this sheet are for guidance only and may be different from the actual machine.
- (3) Cooling capacity conditions: Indoor temperature 27°C DB/19°C WB; Outdoor temperature 35°C DB; Equivalent refrigerant piping length 7.5 m with zero level difference; Data calculated with Cassette type indoor unit. Heating capacity conditions: Indoor temperature 20°C DB; Outdoor temperature 7°C DB/6°C WB; Equivalent refrigerant piping length 7.5 m with zero level difference; Data calculated with Cassette type indoor unit.
- (4) Sound pressure level is measured at a position 1 m in front of the unit and 1 m above the floor in a semi-anechoic chamber.

PIPELINE LENGTH

Max. pipe length		100 m
Max. distance between outdoor unit and further indoor unit	Real	60 m
	Equivalent	70 m
From first branch joint to the further indoor unit		20 m
Height difference	Outdoor unit over	30 m
	Outdoor unit below	20 m
Height difference between indoor units		8 m

DIMENSIONS & WEIGHT

Width	990 mm
Height	1.327 mm
Depth	400 mm
Weight	107 kg



INSTALLATION

