



# PRODUCT SHEET AMAZON

## AMAZON III PRO 3 PIPES

### K3F-280 DN3S

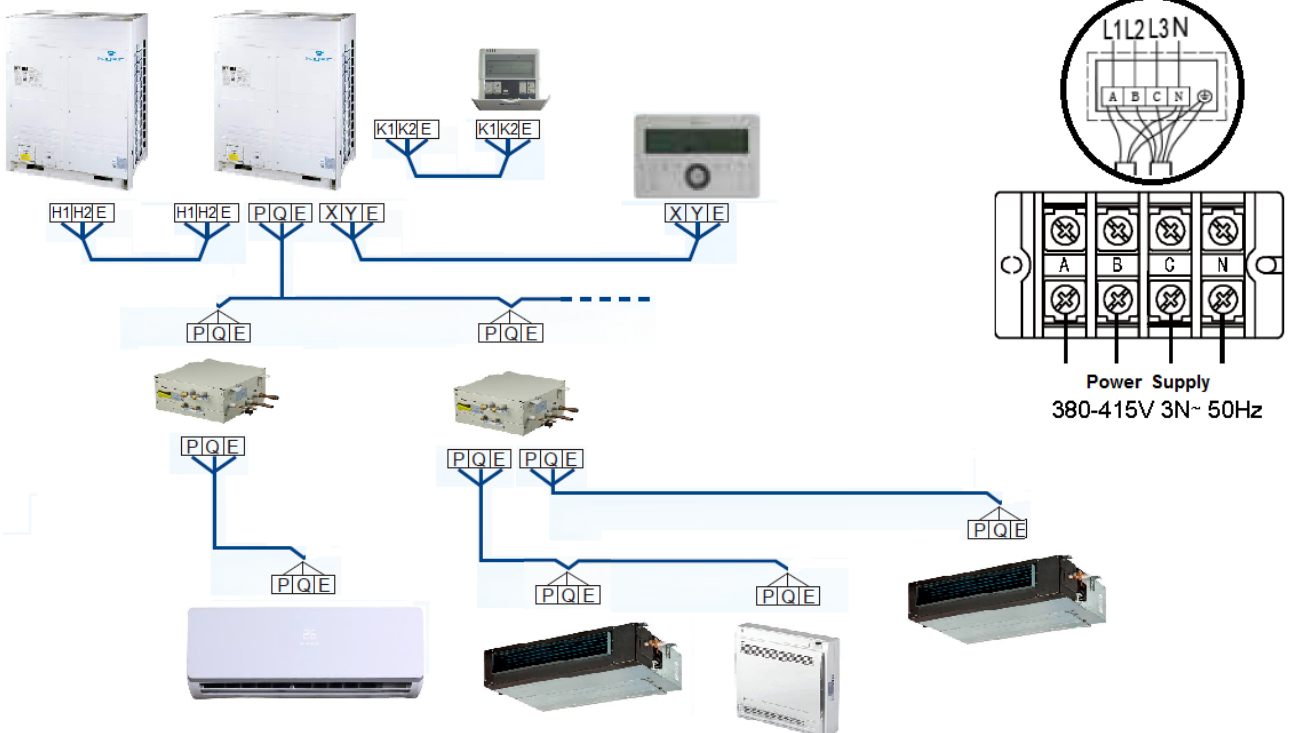
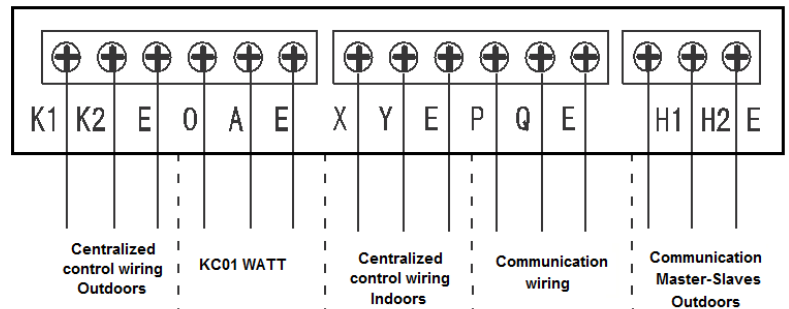


#### CHARACTERISTICS

Model	K3F-280 DN3S
Cooling capacity / Cooling Input Consumption	28 kW / 6,67 kW
Heating capacity / Heating Input Consumption	31,5 kW / 7,73 kW
Maximum Number of Indoor units	16
Air Flow	12000 m <sup>3</sup> /h
Sound Pressure	57 dB
Liquid Pipe Diameter	Ø 1/2"
High Pressure Gas Pipe Diameter	Ø 3/4"
Low Pressure Gas Pipe Diameter	Ø 7/8"
High Pressure Balance Gas Pipe Diameter	Ø 3/4"
Oil Balance Pipe Diameter	Ø 1/4"
Factory Charge of Refrigerant (R-410A)	10 Kg

#### ELECTRIC WIRING

Model	K3F-280 DN3S
Power Supply	380-400 V / 3 phases / 50 Hz
Power Supply Wiring	(4+T) x 4 mm <sup>2</sup>
Max. Input	23 A
Communication Wiring	3 x 1,5 mm <sup>2</sup> shielded
Centralized control Wiring	3 x 1,5 mm <sup>2</sup> shielded



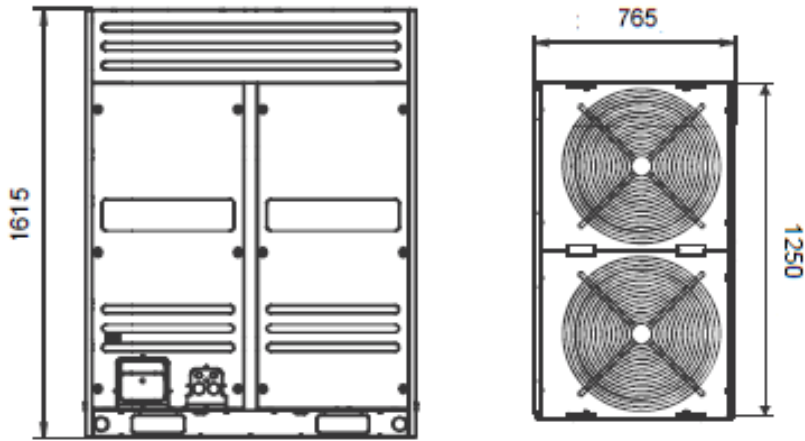
Power Supply  
380-415V 3N~ 50Hz

## REFRIGERANT PIPING INSTALLATION

Piping Length and Height		Maximum
Total piping length		1000 m
First branch joint to furthest indoor unit	Real	175 m
	Equivalent	200 m
First branch joint to furthest indoor unit		40 m (90 m*)
Height difference between outdoor and indoor units	Outdoor over	110 m
	Outdoor below	70 m
Height difference between indoor units		30 m

\* Please query conditions

## DIMENSIONS AND WEIGHT OF THE UNIT



<b>Model</b>	<b>K3F-280 DN3S</b>
Weight	255 Kg

## INSTALLATION SPACE

