



PRODUCT SHEET AMAZON

AMAZON III PRO 3 PIPES

K3F-252 DN3S

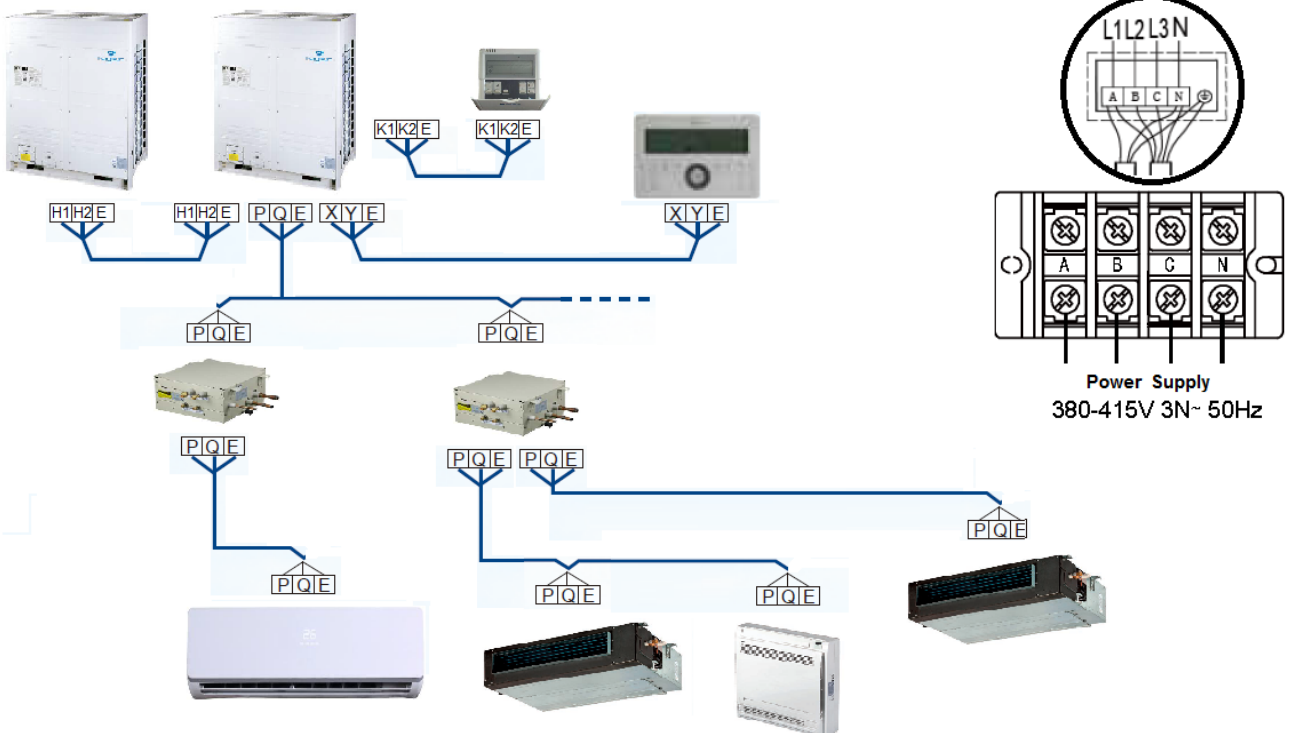
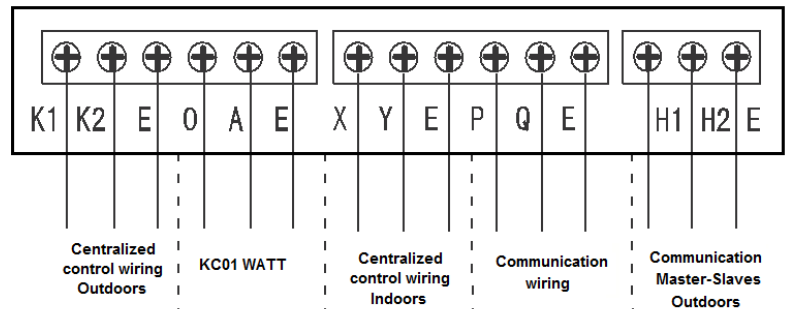


CHARACTERISTICS

Model	K3F-252 DN3S
Cooling capacity / Cooling Input Consumption	25,2 kW / 5,73 kW
Heating capacity / Heating Input Consumption	27 kW / 6,00 kW
Maximum Number of Indoor units	13
Air Flow	12000 m ³ /h
Sound Pressure	57 dB
Liquid Pipe Diameter	Ø 3/8"
High Pressure Gas Pipe Diameter	Ø 3/4"
Low Pressure Gas Pipe Diameter	Ø 7/8"
High Pressure Balance Gas Pipe Diameter	Ø 3/4"
Oil Balance Pipe Diameter	Ø 1/4"
Factory Charge of Refrigerant (R-410A)	10 Kg

ELECTRIC WIRING

Model	K3F-252 DN3S
Power Supply	380-400 V / 3 phases / 50 Hz
Power Supply Wiring	(4+T) x 2,5 mm ²
Max. Input	21 A
Communication Wiring	3 x 1,5 mm ² shielded
Centralized control Wiring	3 x 1,5 mm ² shielded

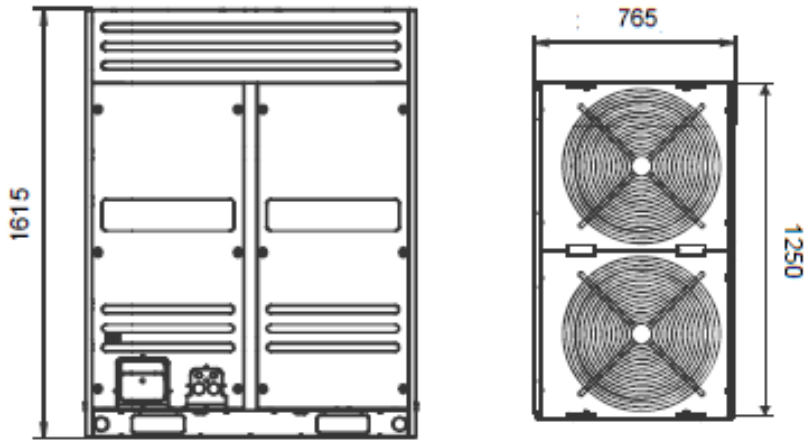


REFRIGERANT PIPING INSTALLATION

Piping Length and Height		Maximum
Total piping length		1000 m
First branch joint to furthest indoor unit	Real	175 m
	Equivalent	200 m
First branch joint to furthest indoor unit		40 m (90 m*)
Height difference between outdoor and indoor units	Outdoor over	110 m
	Outdoor below	70 m
Height difference between indoor units		30 m

* Please query conditions

DIMENSIONS AND WEIGHT OF THE UNIT



Model	K3F-252 DN3S
Weight	255 Kg

INSTALLATION SPACE

